

US00D521062S

(12) **United States Design Patent**
Sasaki

(10) **Patent No.:** **US D521,062 S**

(45) **Date of Patent:** **** May 16, 2006**

(54) **INK CARTRIDGE**

(75) Inventor: **Toyonori Sasaki**, Anjyo (JP)

(73) Assignee: **Brothers Industries, Ltd.**, Aichi-ken (JP)

(**) Term: **14 Years**

(21) Appl. No.: **29/174,008**

(22) Filed: **Jan. 10, 2003**

(30) **Foreign Application Priority Data**

Jul. 10, 2002 (JP) 2002-018543

(51) **LOC (8) Cl.** **18-02**

(52) **U.S. Cl.** **D18/56; 347/86**

(58) **Field of Classification Search** D18/56,
D18/40, 43; 347/86, 87

See application file for complete search history.

(56) **References Cited**

U.S. PATENT DOCUMENTS

- 4,673,955 A * 6/1987 Ameyama et al. 347/86
- D390,869 S * 2/1998 Tashiro et al. D18/56
- D410,949 S * 6/1999 Fowkes D18/56
- D425,553 S * 5/2000 Gasvoda et al. D18/56
- D430,897 S * 9/2000 Bishop et al. D18/56
- D432,567 S * 10/2000 Gasvoda et al. D18/56

- D439,610 S * 3/2001 Inoue D18/56
- D462,089 S * 8/2002 Trafton et al. D18/56
- D466,925 S * 12/2002 Ishizawa et al. D18/56
- D475,402 S * 6/2003 Nakayama et al. D18/56
- D477,020 S * 7/2003 Seino D18/56

* cited by examiner

Primary Examiner—Cathy Anne MacCormac

(74) *Attorney, Agent, or Firm*—McKenna Long & Aldridge LLP

(57) **CLAIM**

The ornamental design for an ink cartridge, as shown and described.

DESCRIPTION

FIG. 1 is a front elevation view of my new design;
 FIG. 2 is a top plan view thereof;
 FIG. 3 is a right side view thereof;
 FIG. 4 is a left side view thereof;
 FIG. 5 is a rear elevation view thereof;
 FIG. 6 is a bottom plan view thereof;
 FIG. 7 is a top perspective view thereof;
 FIG. 8 is a bottom perspective view thereof; and,
 FIG. 9 is another top plan view thereof without the environment covering the claimed design.
 The broken lines are for illustration only and form no part of the claimed design.

1 Claim, 4 Drawing Sheets

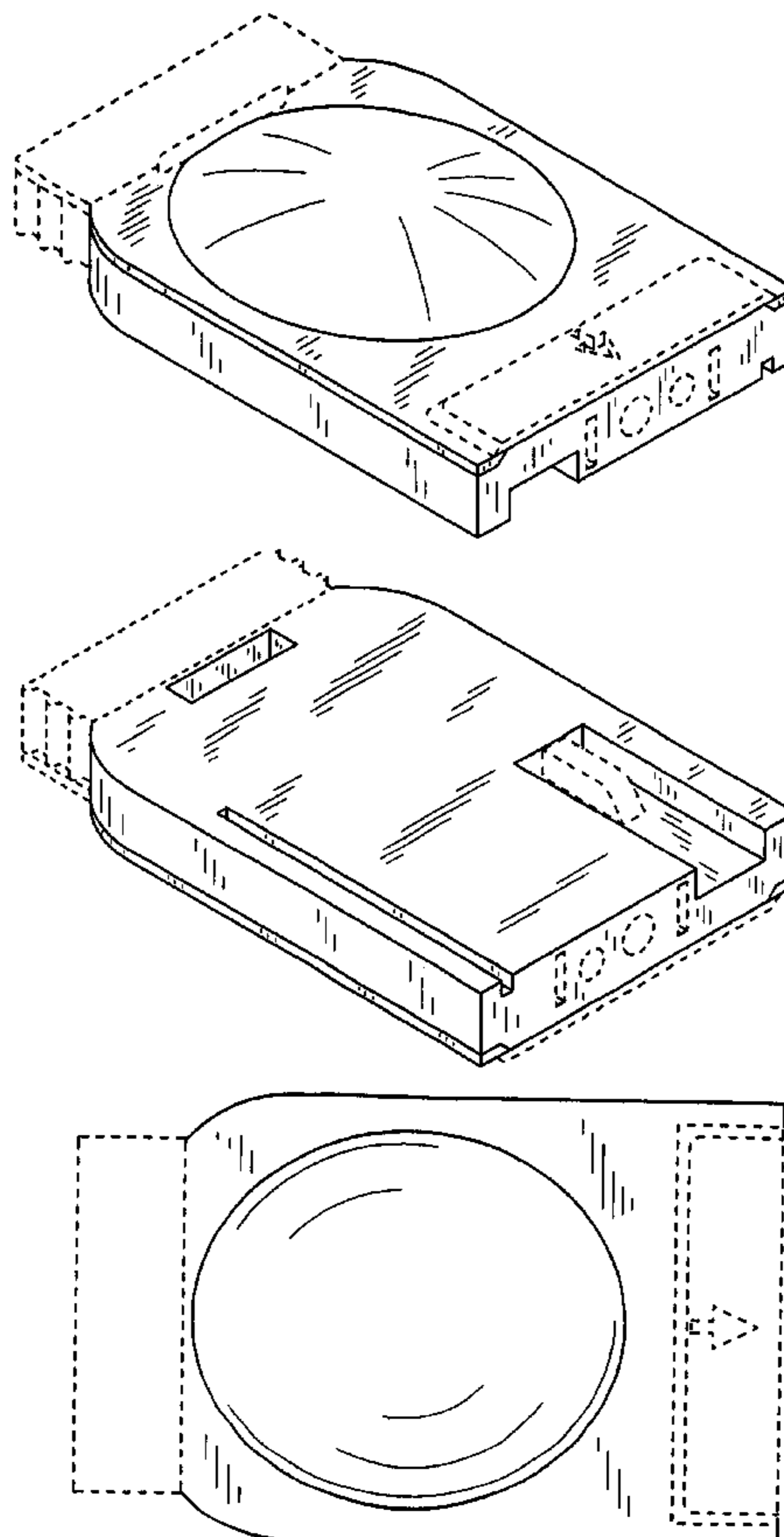


FIG. 1

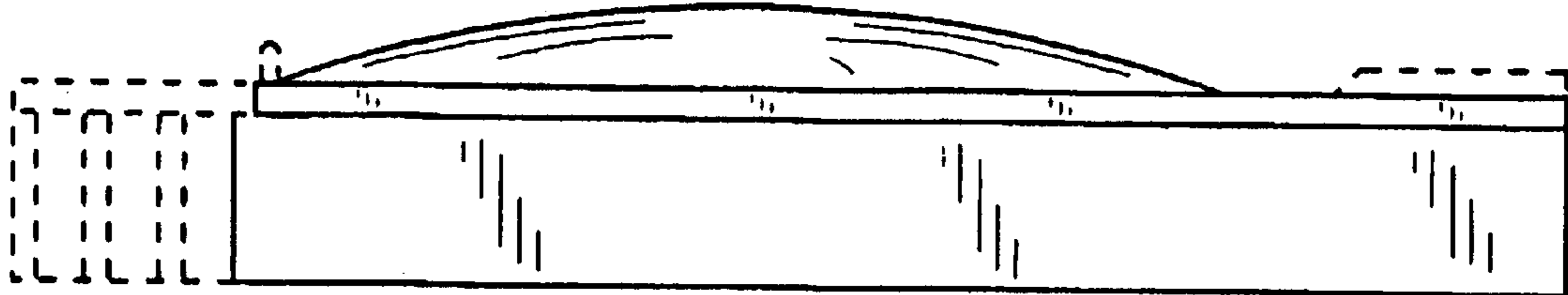


FIG. 2

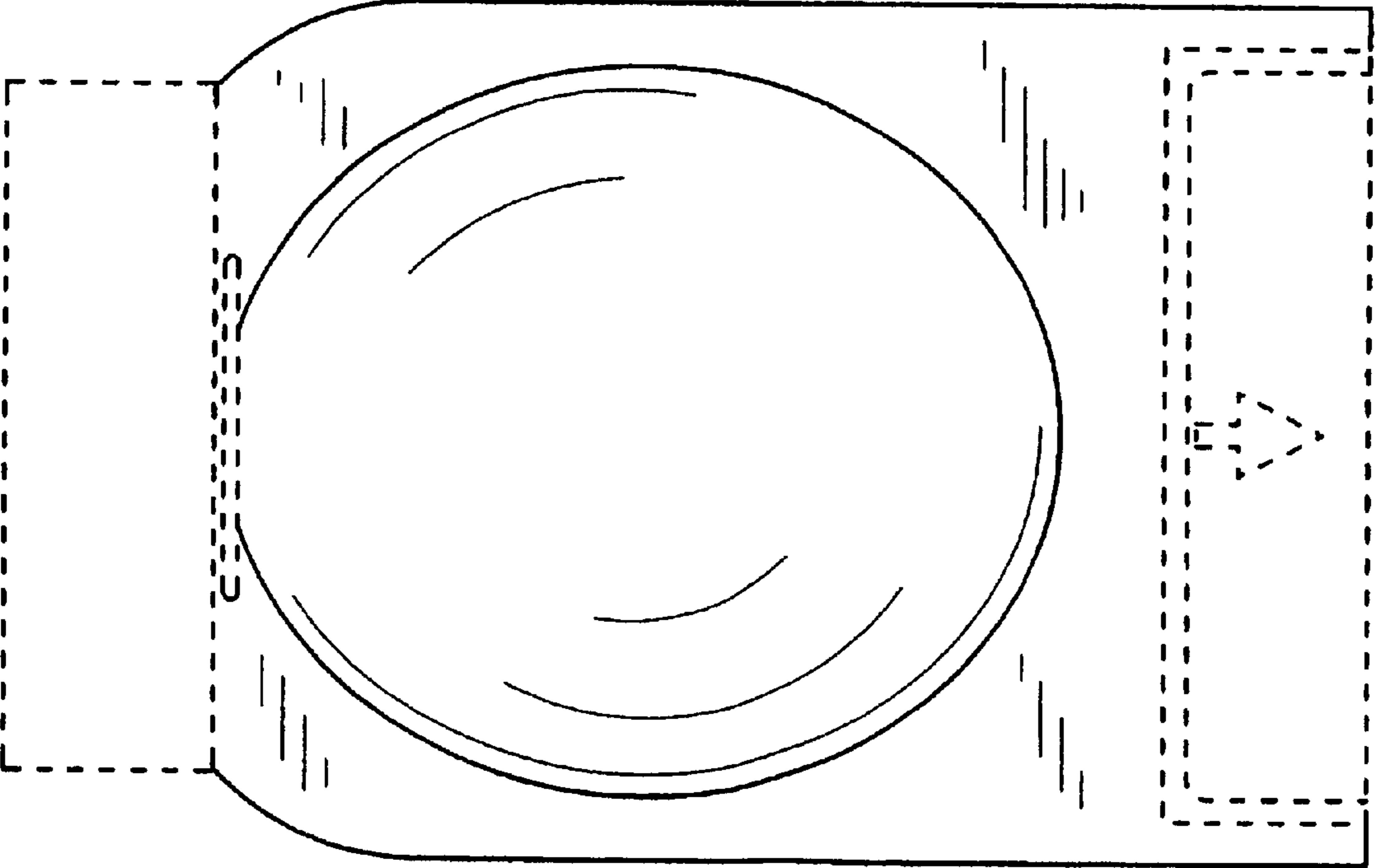


FIG. 9

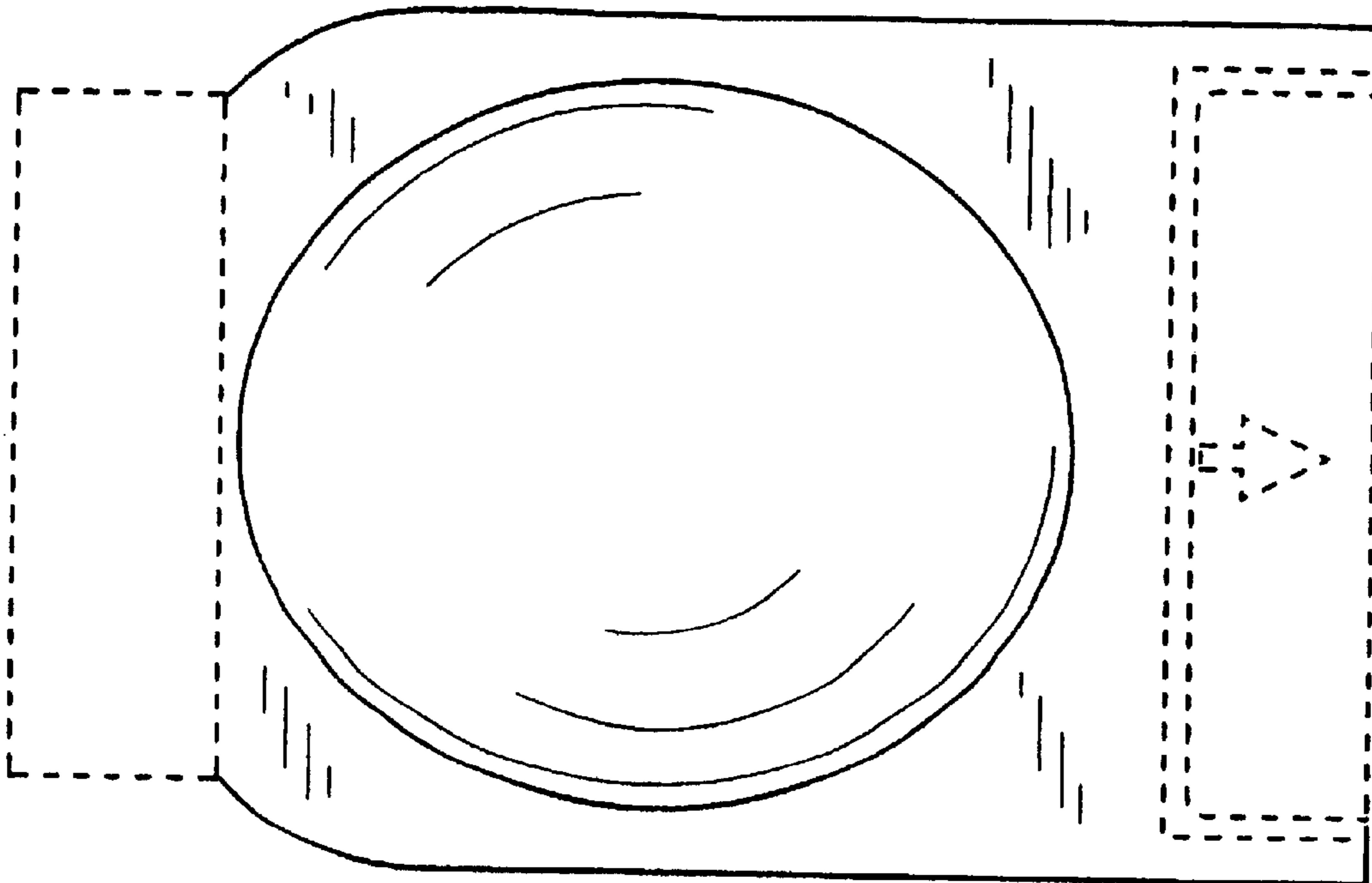


FIG. 3

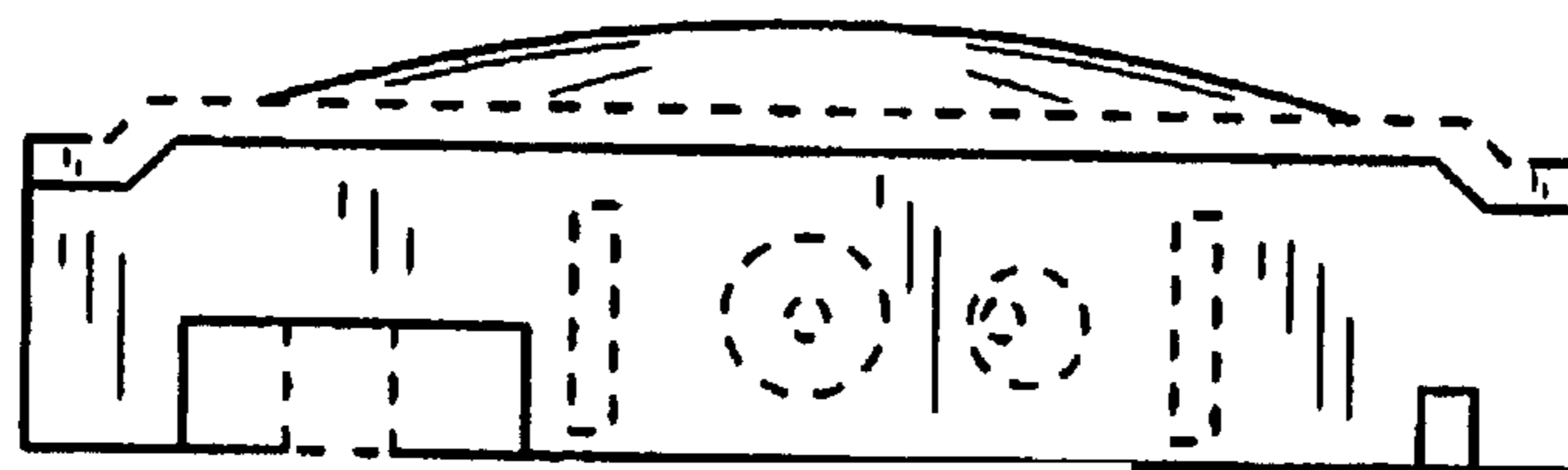


FIG. 4

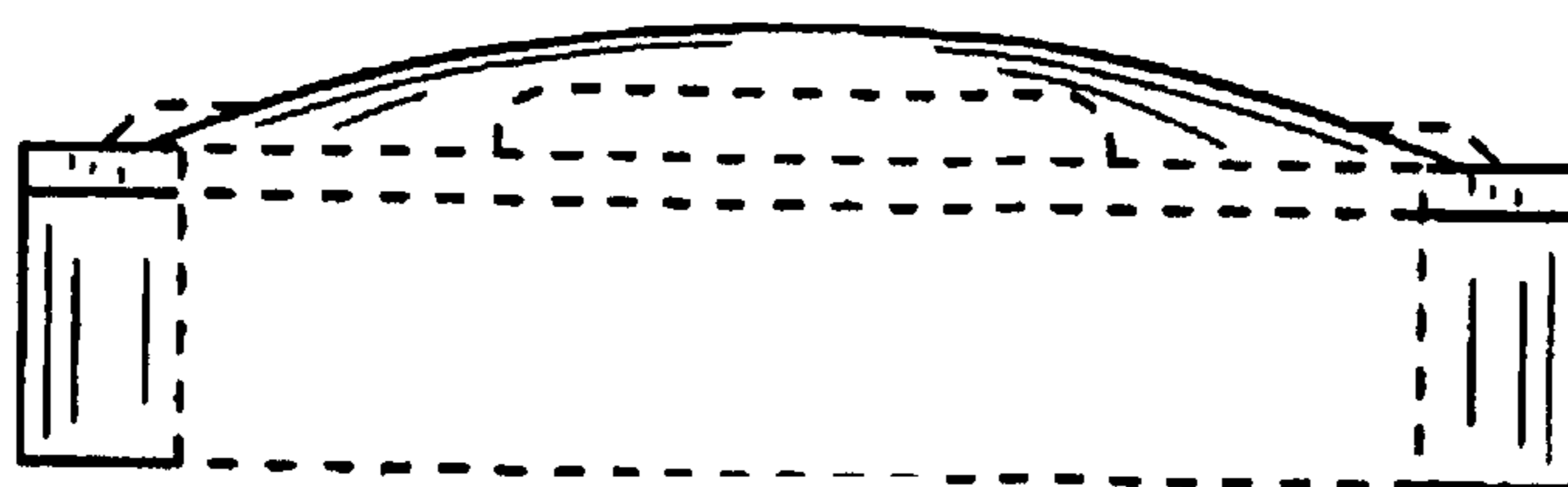


FIG. 5

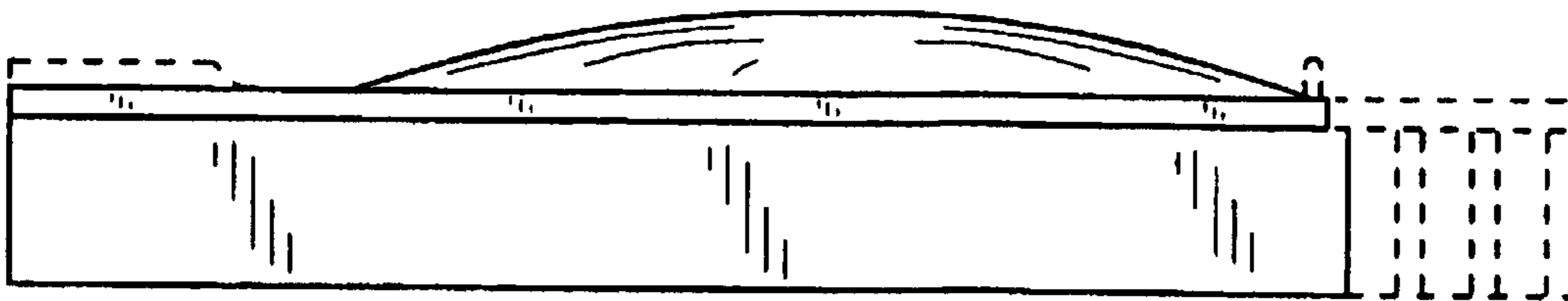


FIG. 6

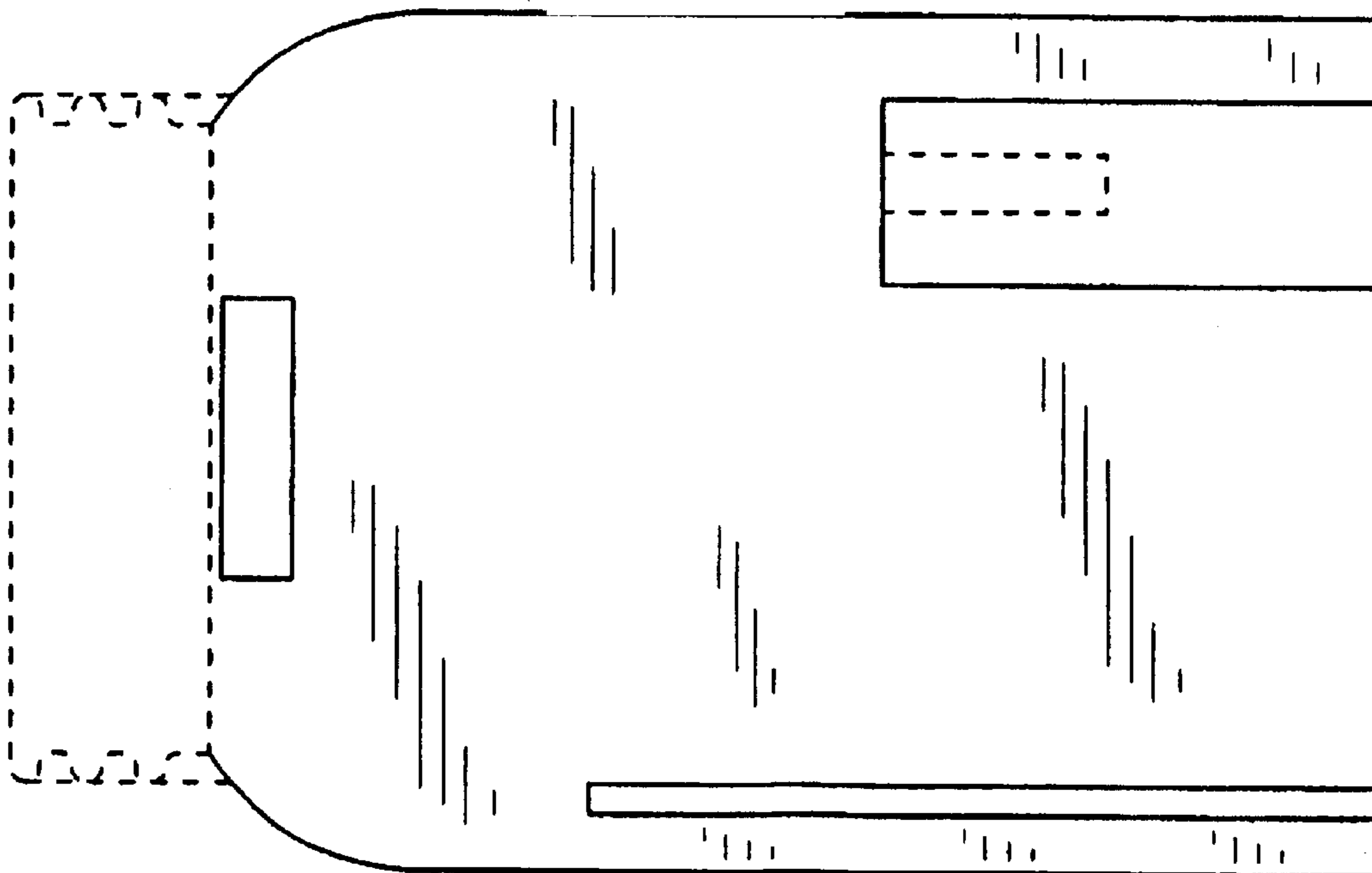


FIG. 7

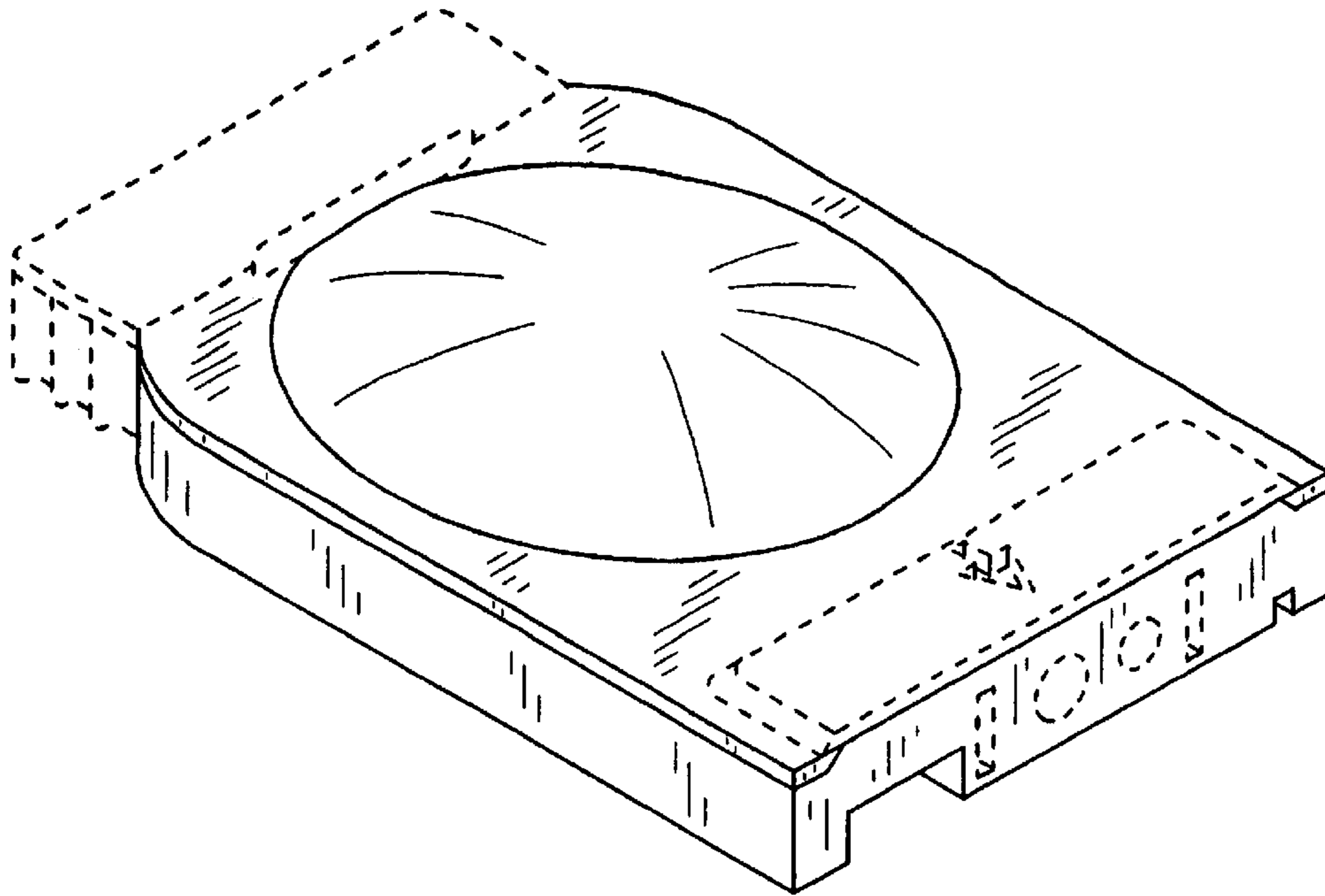


FIG. 8

