



US00D521059S

(12) **United States Design Patent**  
**Richtsmeier et al.**

(10) **Patent No.:** **US D521,059 S**

(45) **Date of Patent:** **\*\* May 16, 2006**

(54) **PRINTER**

(75) Inventors: **Dean J. Richtsmeier**, Boise, ID (US);  
**Howard G. Hooper**, Boise, ID (US);  
**Anthony G. Laidlaw**, Boise, ID (US)

(73) Assignee: **Hewlett-Packard Development Company, L.P.**, Houston, TX (US)

(\*\*) Term: **14 Years**

(21) Appl. No.: **29/186,060**

(22) Filed: **Jul. 7, 2003**

(51) **LOC (8) Cl.** ..... **14-02**

(52) **U.S. Cl.** ..... **D18/55**

(58) **Field of Classification Search** ..... D18/4.1,  
D18/19, 36-41, 50, 53-54, 54.1, 55; D14/420-425,  
D14/462-470, 349; 400/613, 613.1-613.4,  
400/690.1-690.4, 691-694  
See application file for complete search history.

(56) **References Cited**

**U.S. PATENT DOCUMENTS**

D305,436 S	1/1990	Yoshioka et al.
D307,440 S	4/1990	Omino et al.
D315,360 S	3/1991	Tokuda et al.
D400,572 S	11/1998	Sekine et al.

D431,047 S	*	9/2000	Yokakowa	.....	D18/50
D438,895 S	*	3/2001	Pangburn	.....	D18/55
D439,274 S	*	3/2001	Dwyer et al.	.....	D18/55
D439,607 S	*	3/2001	Inoue et al.	.....	D18/54
D439,608 S	*	3/2001	Gassett et al.	.....	D18/55
D441,394 S	*	5/2001	Kobayashi et al.	.....	D18/54
D444,813 S	*	7/2001	Quijano	.....	D18/55
D449,334 S	*	10/2001	Dwyer et al.	.....	D18/55
D459,389 S		6/2002	Kaseno		
D460,478 S		7/2002	Bishop et al.		
D463,485 S		9/2002	Yoshida et al.		
D465,515 S		11/2002	Hwang et al.		

\* cited by examiner

*Primary Examiner*—Cathy Anne MacCormac

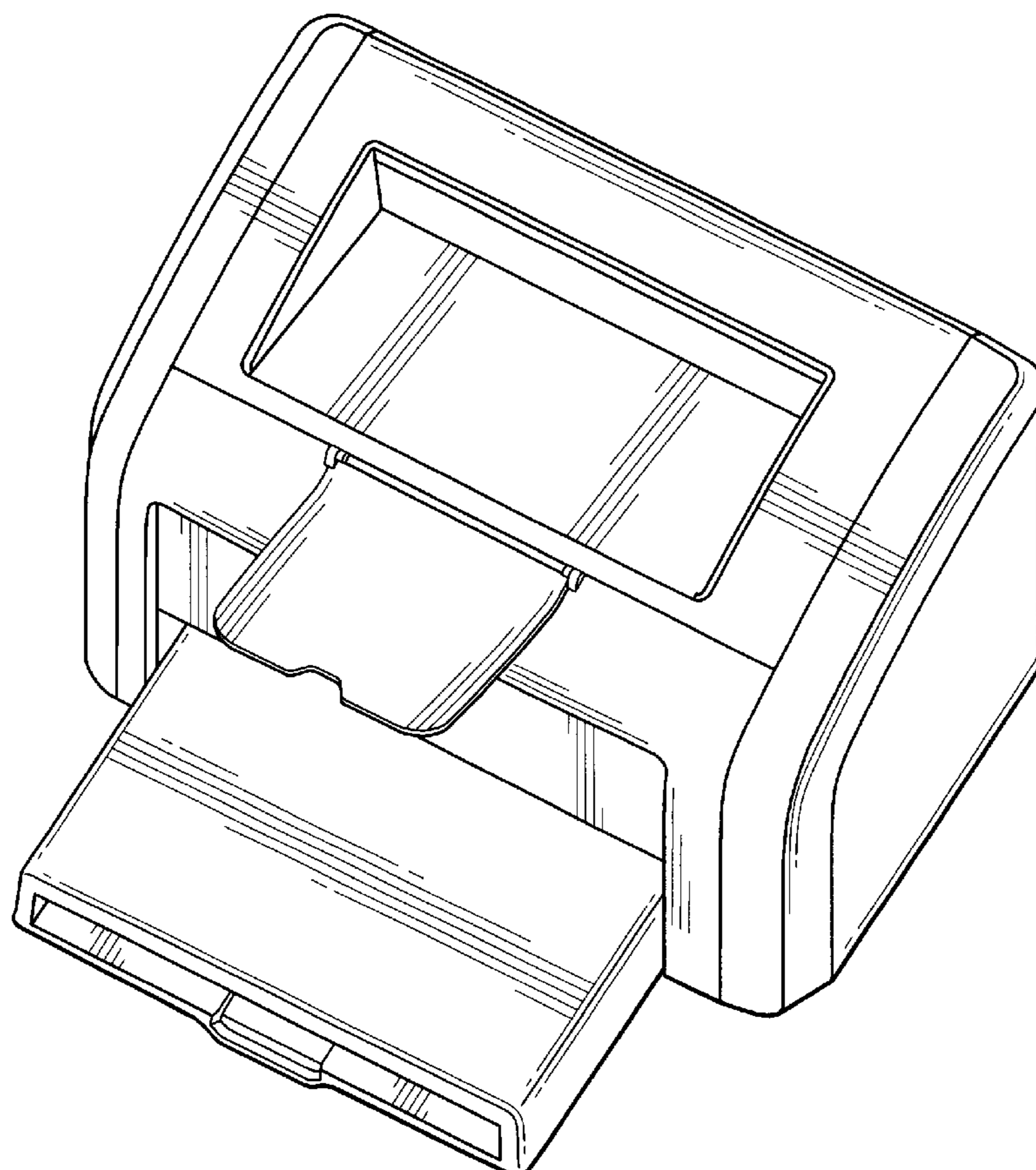
(57) **CLAIM**

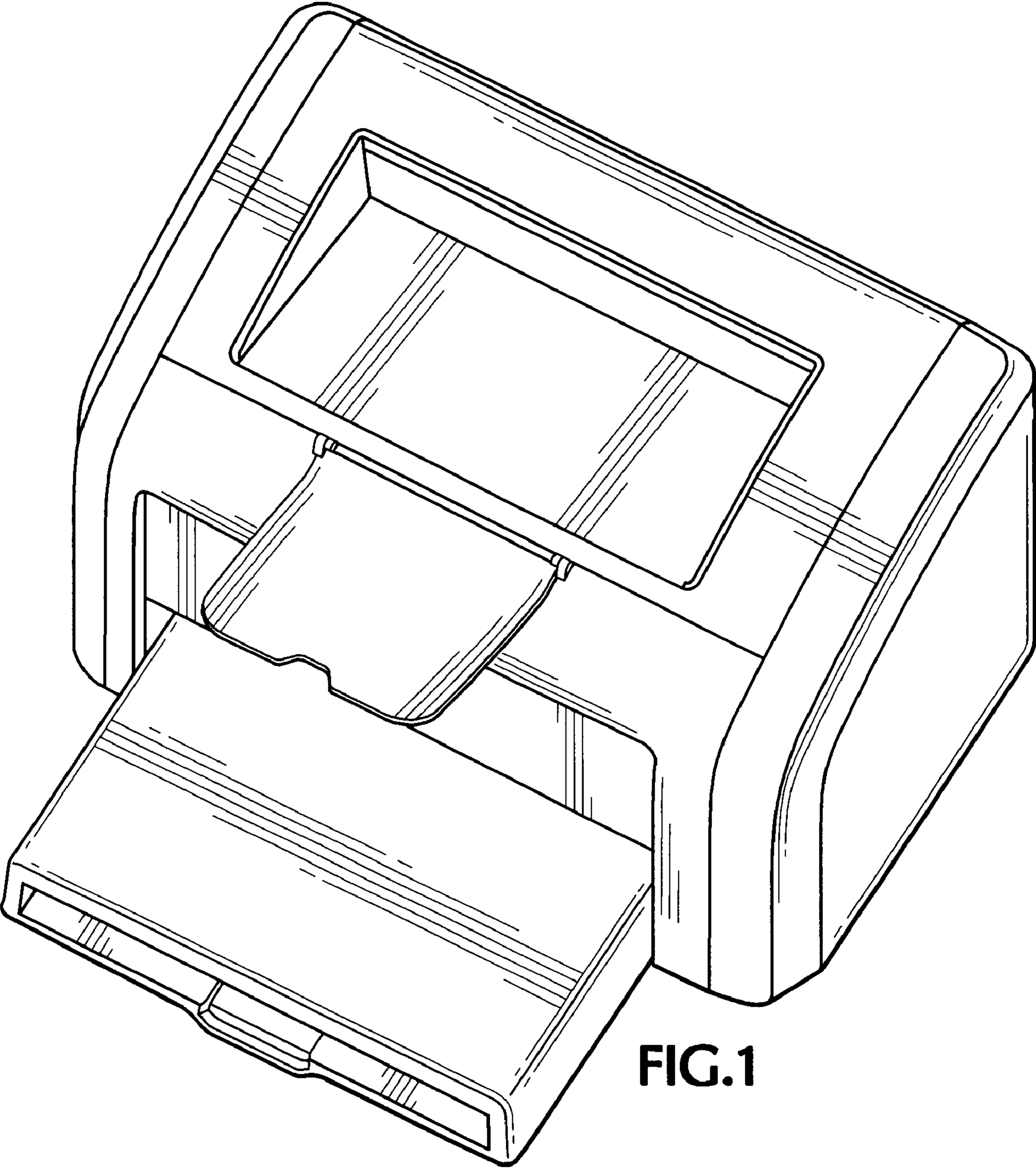
The ornamental design for a printer, as shown.

**DESCRIPTION**

FIG. 1 is a perspective view of a printer, in accordance with the present invention;  
FIG. 2 is a front view thereof;  
FIG. 3 is a right side view thereof, the left side is a mirror image;  
FIG. 4 is a rear view thereof; and,  
FIG. 5 is a top view thereof.

**1 Claim, 5 Drawing Sheets**





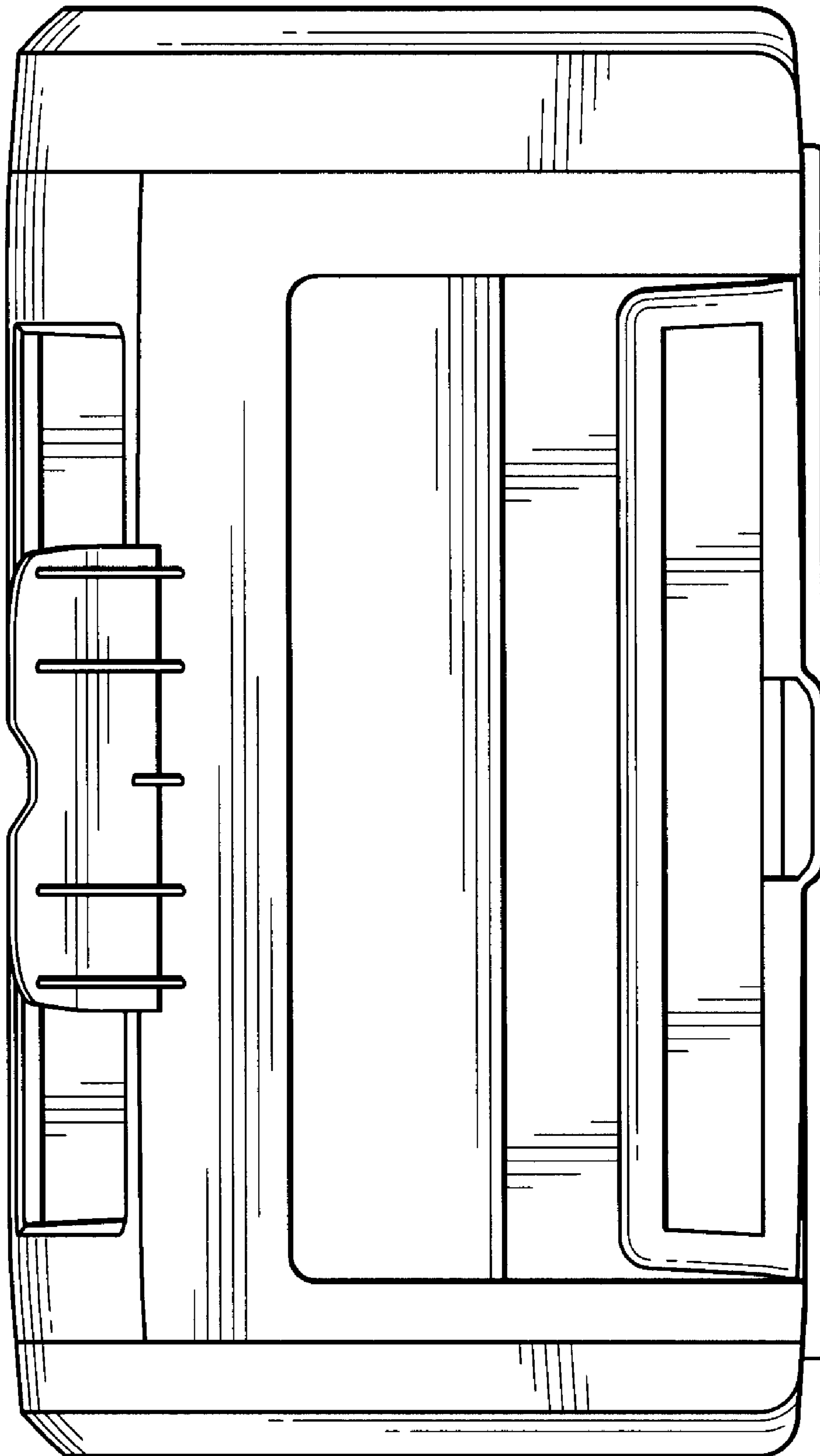


FIG.2

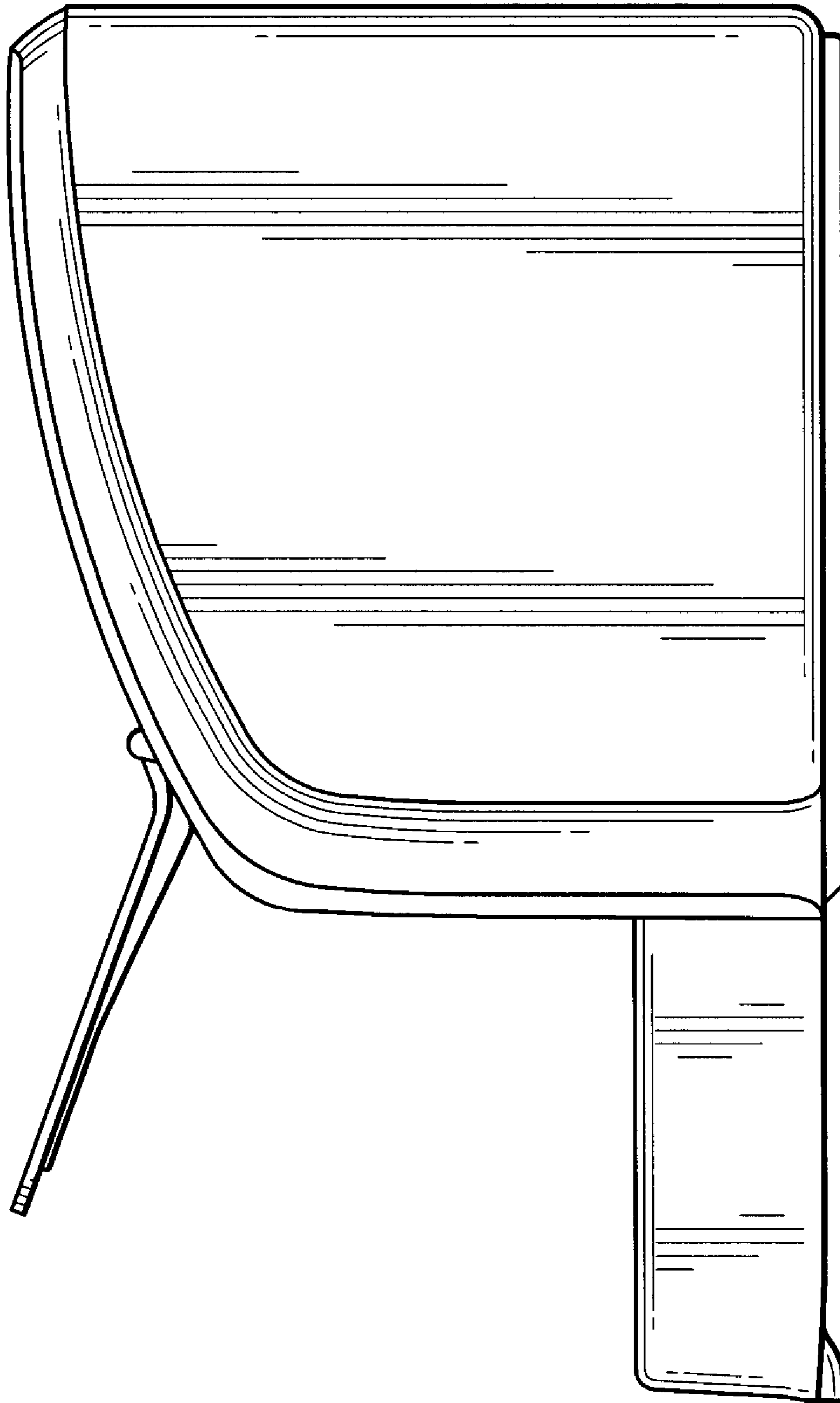


FIG.3

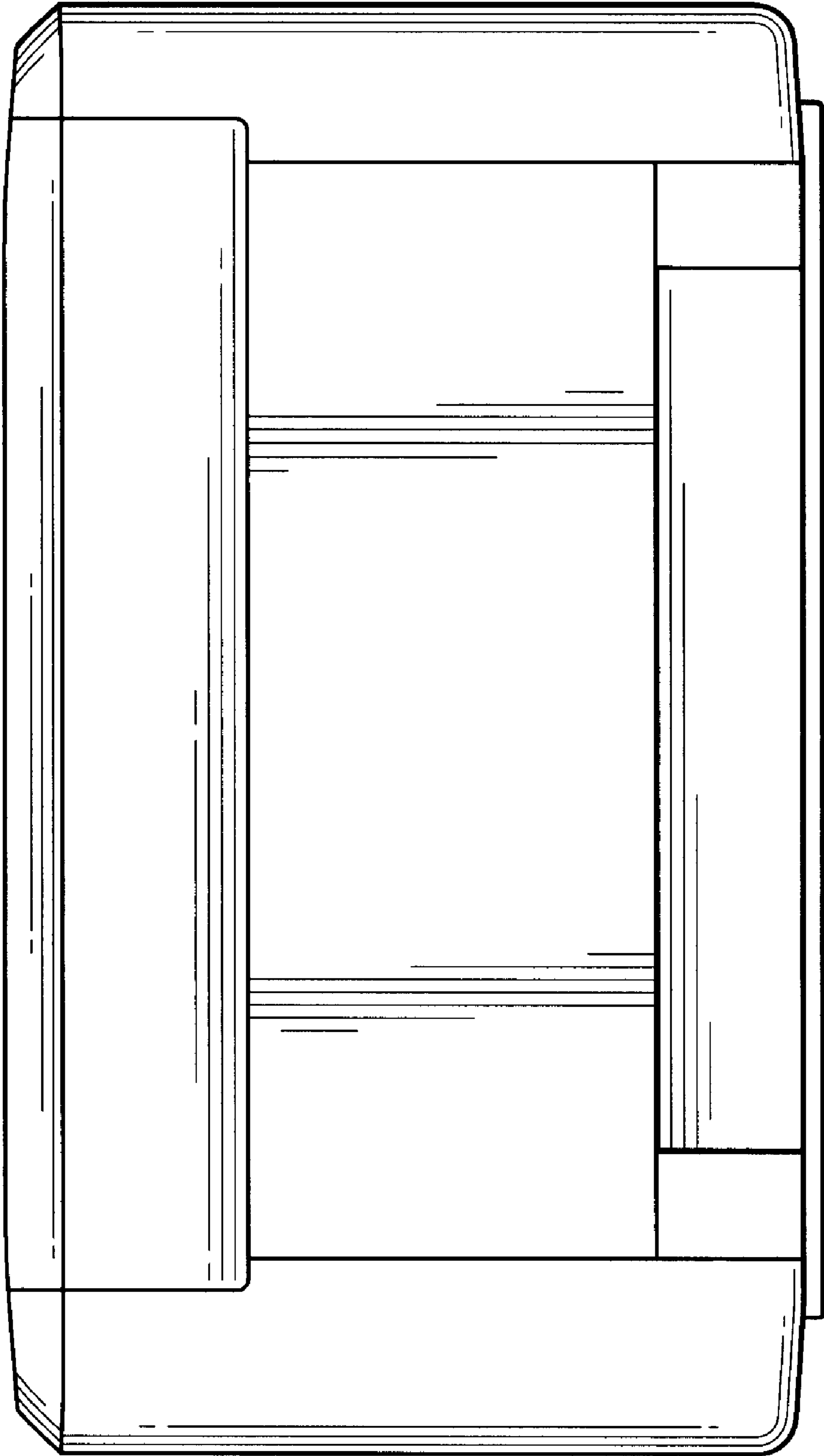


FIG.4

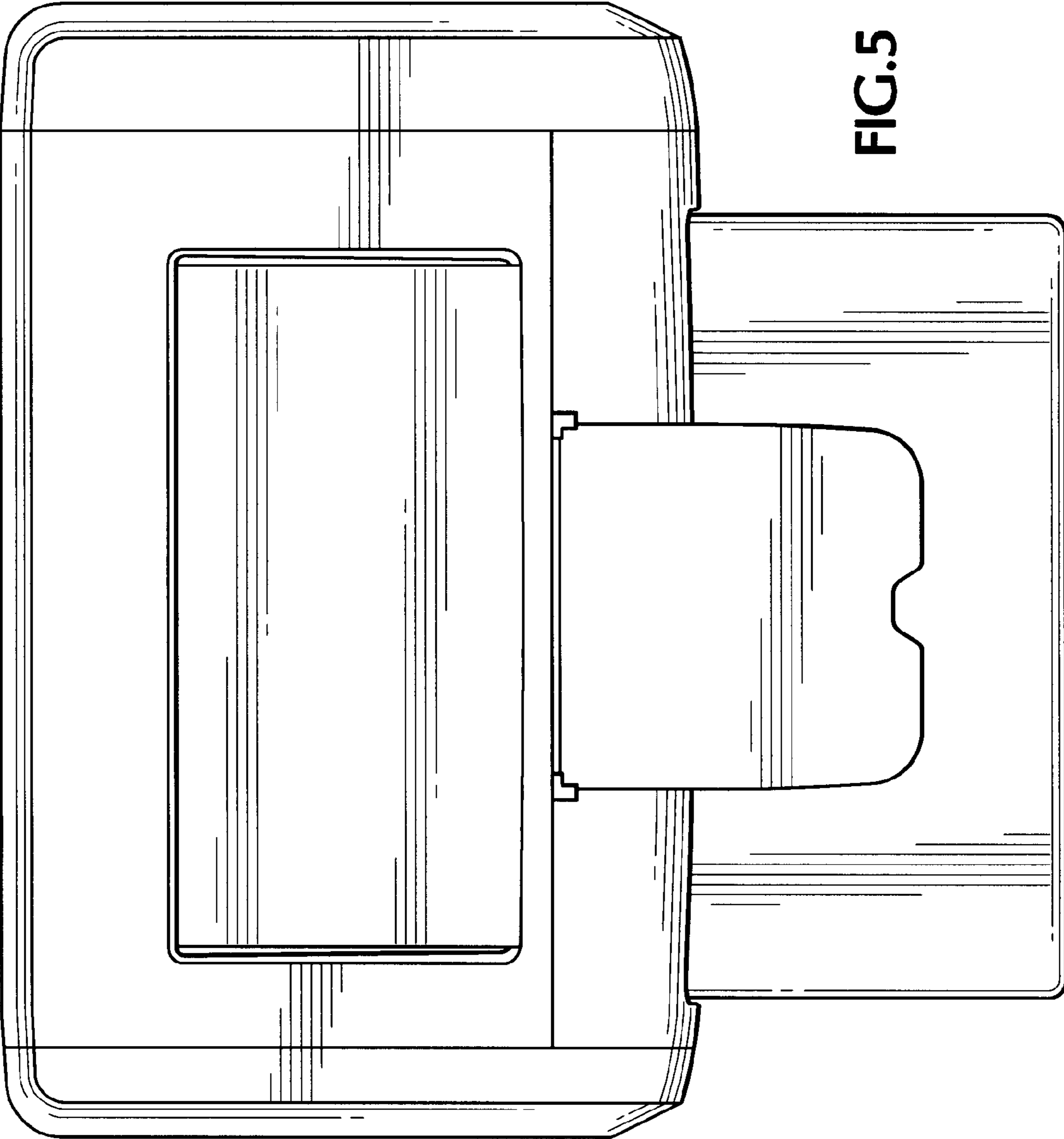


FIG.5