

US00D521057S

(12) **United States Design Patent**  
**Ishigami et al.**

(10) **Patent No.:** **US D521,057 S**

(45) **Date of Patent:** **\*\* May 16, 2006**

(54) **PRINTER**

(75) Inventors: **Michifumi Ishigami**, Nagoya (JP);  
**Toshitaka Iwago**, Okazaki (JP)

(73) Assignee: **Brother Industries, Ltd.**, Nagoya (JP)

(\*\*) Term: **14 Years**

(21) Appl. No.: **29/191,312**

(22) Filed: **Oct. 7, 2003**

(30) **Foreign Application Priority Data**

Jun. 13, 2003 (JP) ..... 2003-016812

(51) **LOC (8) Cl.** ..... **18-02**

(52) **U.S. Cl.** ..... **D18/50**

(58) **Field of Classification Search** ..... D18/50,  
D18/53, 54, 54.1, 55, 19, 36-41; D14/462-470,  
D14/420-425, 349; 400/613, 613.1, 613.2,  
400/613.4, 691-694

See application file for complete search history.

(56) **References Cited**

**U.S. PATENT DOCUMENTS**

D383,744 S \* 9/1997 Matsushima et al. .... D14/463

D406,127 S \* 2/1999 Ishio ..... D14/466

D421,455 S \* 3/2000 Kobayashi et al. .... D18/54  
D469,769 S \* 2/2003 Sugitani et al. .... D14/425  
D472,243 S \* 3/2003 Agata ..... D14/463  
D501,667 S \* 2/2005 Ishigami et al. .... D18/50  
D502,500 S \* 3/2005 Hoshiya et al. .... D18/50  
D503,937 S \* 4/2005 Tani ..... D14/462  
2005/0082743 A1 \* 4/2005 Sato ..... 271/162

\* cited by examiner

*Primary Examiner*—Louis S. Zarfaz

*Assistant Examiner*—Anhdao Doan

(74) *Attorney, Agent, or Firm*—Oliff & Berridge, PLC

(57) **CLAIM**

The ornamental design for a printer, as shown and described.

**DESCRIPTION**

FIG. 1 is a front view of a printer;

FIG. 2 is a top view thereof;

FIG. 3 is a right-side view thereof;

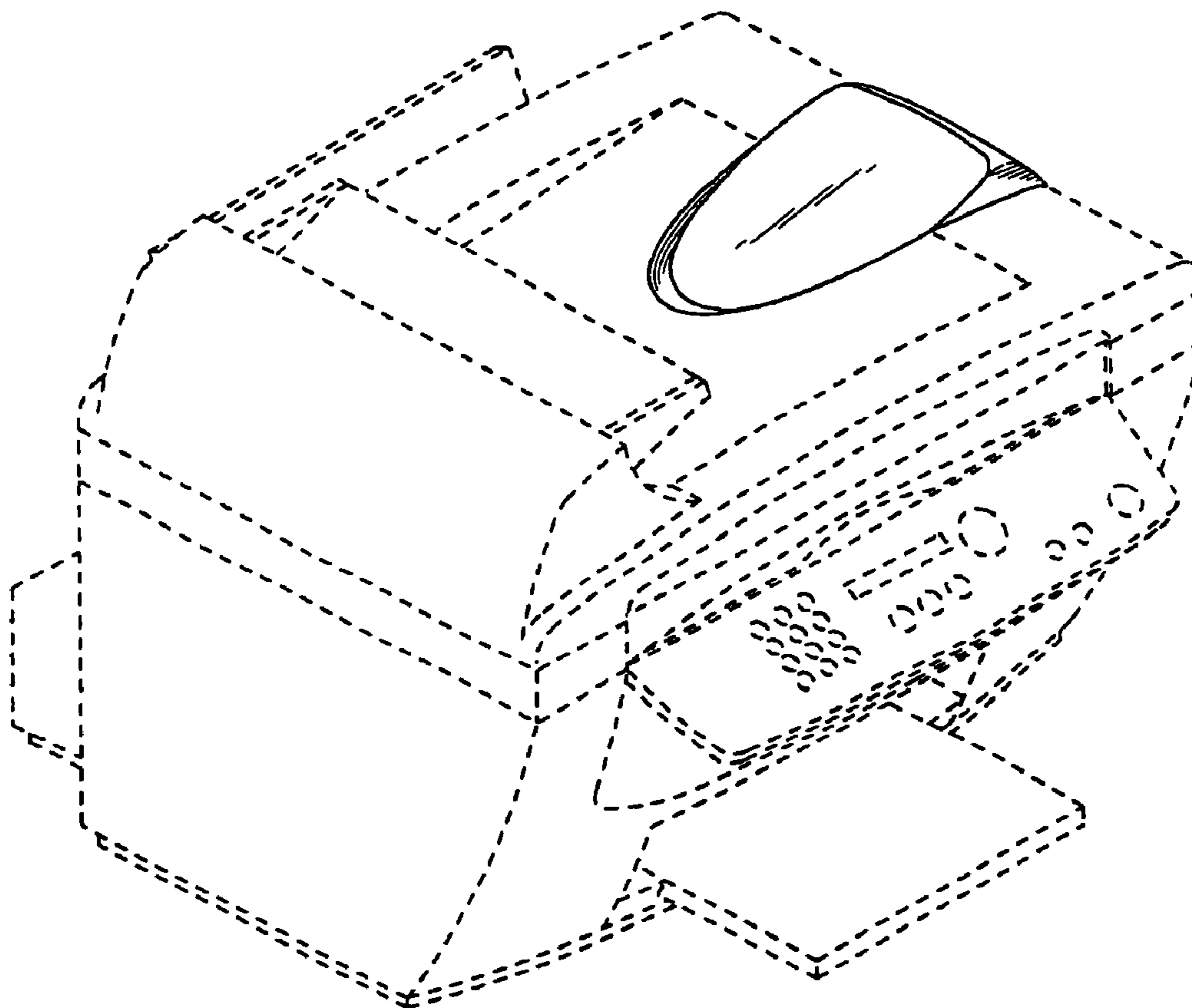
FIG. 4 is a rear view thereof; and,

FIG. 5 is a perspective view thereof.

The left-side view and the bottom view contain no ornamentality and are omitted.

The broken line showing is for illustrative purposes only and does not form part of the claimed design.

**1 Claim, 5 Drawing Sheets**



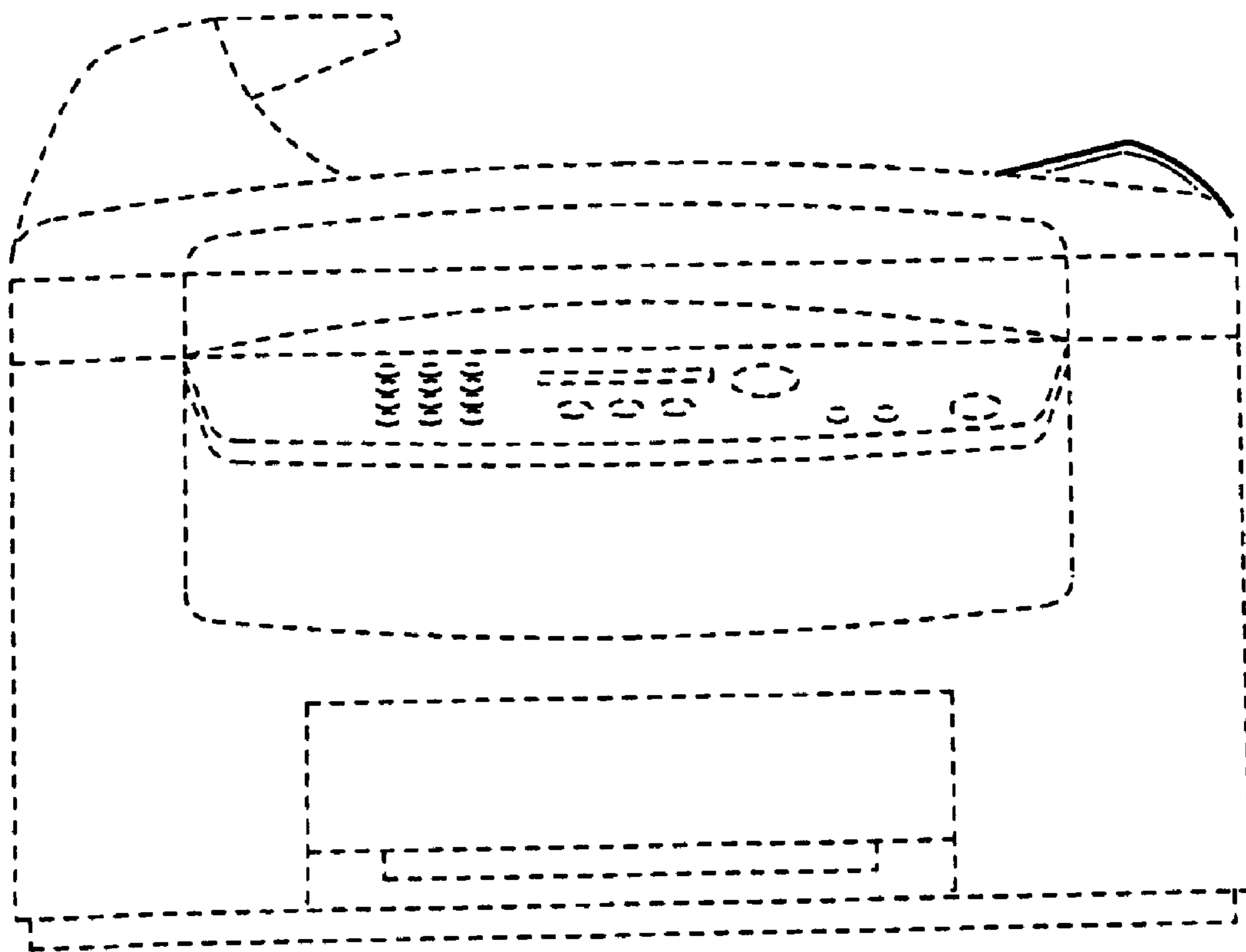


FIG. 1

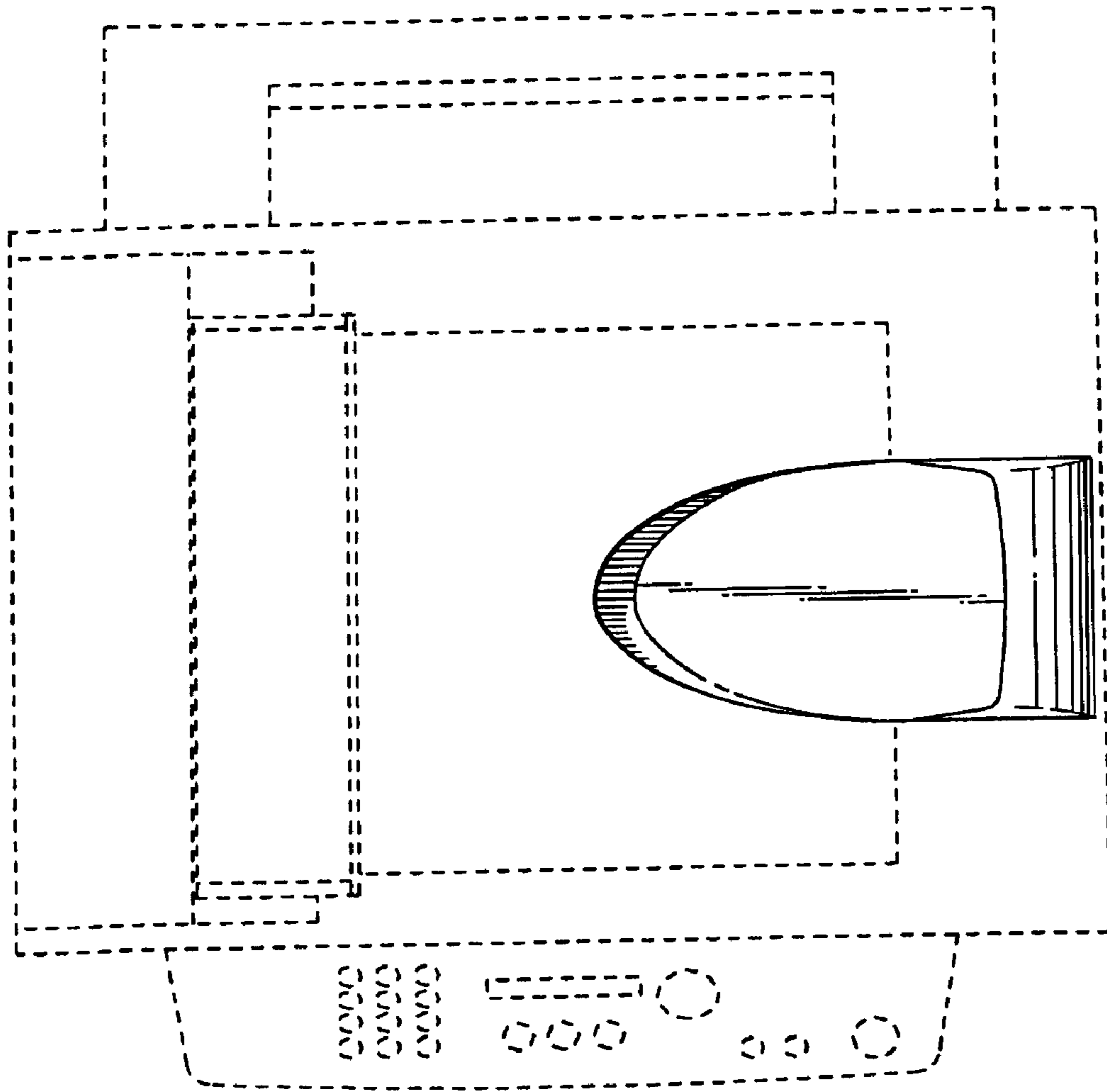


FIG. 2

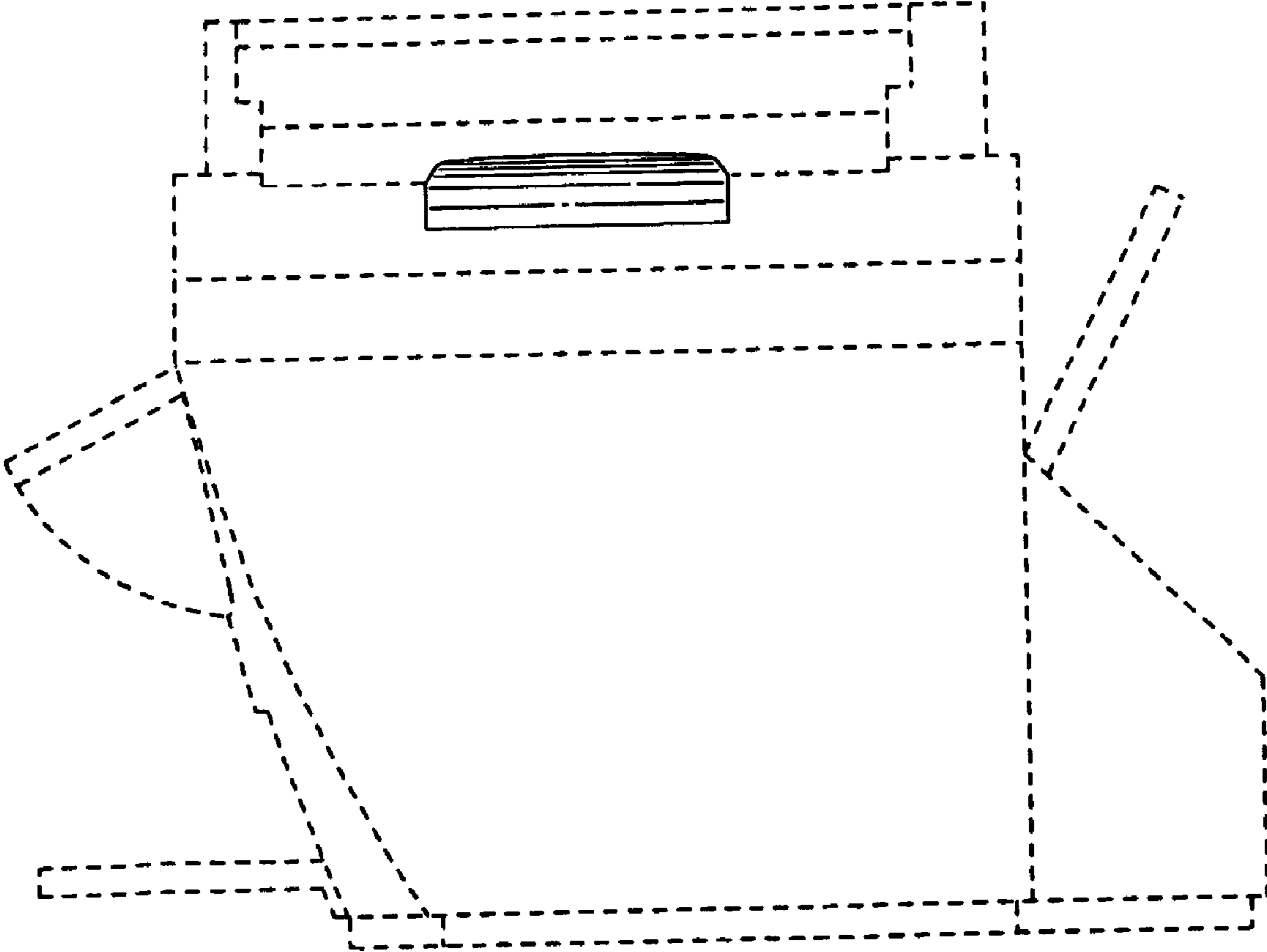


FIG. 3

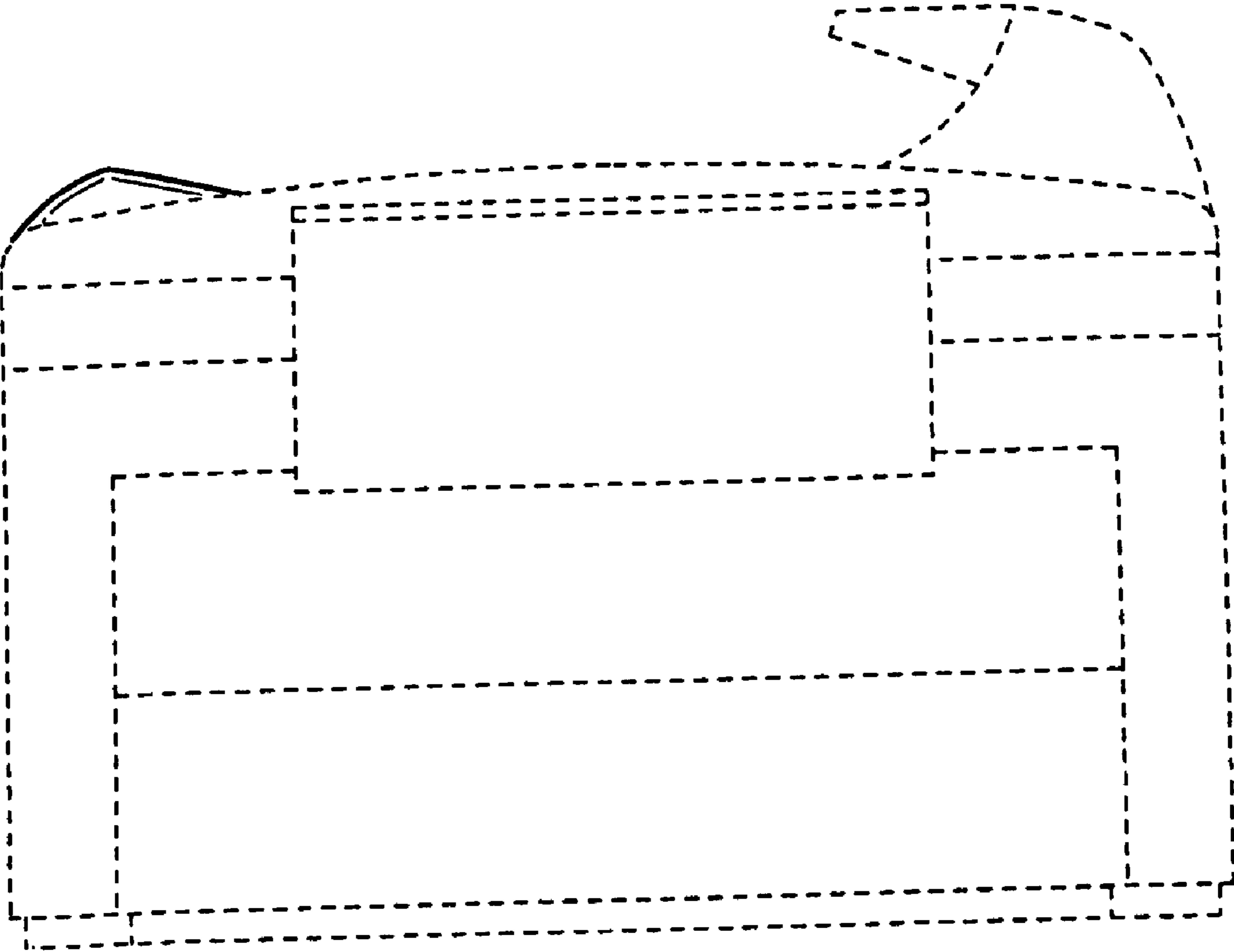


FIG. 4

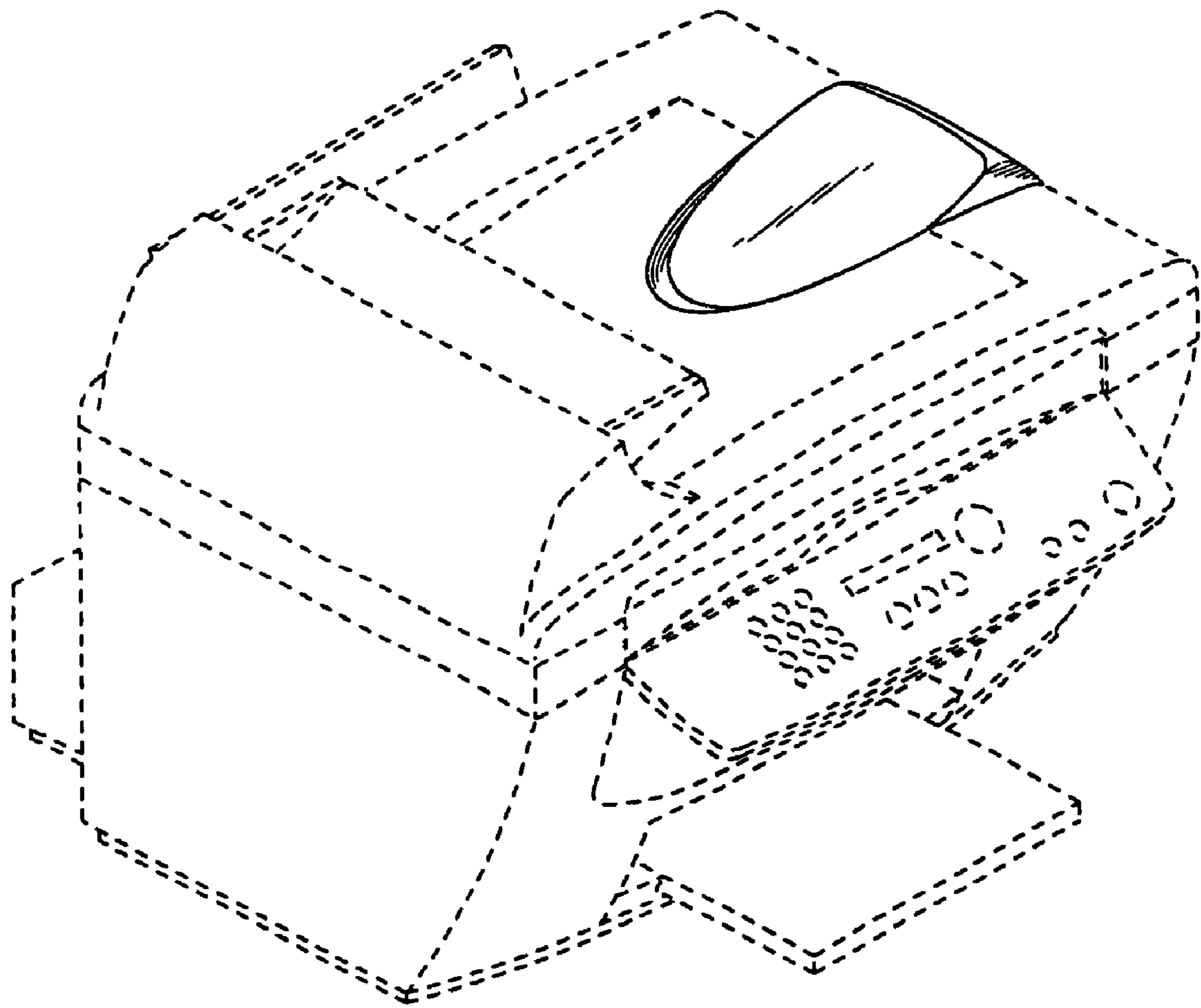


FIG. 5