

US00D521051S

(12) **United States Design Patent** (10) **Patent No.:** **US D521,051 S**
Magee et al. (45) **Date of Patent:** **** May 16, 2006**

(54) **VOTING TERMINAL**

(75) Inventors: **Paul D. Magee**, North Canton, OH (US); **Donald S. Nelson, Jr.**, Akron, OH (US); **David A. Barker**, North Canton, OH (US); **Kevin Liesner**, Massillon, OH (US); **Phil Hlas**, Cuyahoga Falls, OH (US); **Wes Rinker**, Cortland, OH (US); **Jeff Walker**, Canton, OH (US)

(73) Assignee: **Diebold Election Systems, Inc.**, Allen, TX (US)

(**) Term: **14 Years**

(21) Appl. No.: **29/209,556**

(22) Filed: **Jul. 15, 2004**

(51) **LOC (8) Cl.** **18-01**

(52) **U.S. Cl.** **D18/6**

(58) **Field of Classification Search** D18/1, D18/2, 6, 7; 235/51-56, 386; D14/371; D6/421, D6/429; 312/194-196, 140.2, 203, 223, 239, 312/258, 259

See application file for complete search history.

(56) **References Cited**

U.S. PATENT DOCUMENTS

3,333,766 A * 8/1967 Crossland et al. 235/50 A

4,445,731 A * 5/1984 Ahmann 312/258
 4,649,264 A * 3/1987 Carson 235/54 R
 D474,467 S * 5/2003 Zuege et al. D14/371
 D475,219 S * 6/2003 McClure et al. D6/421
 6,827,262 B1 * 12/2004 McClure et al. 235/386

* cited by examiner

Primary Examiner—Caron D. Veynar

Assistant Examiner—Garth Rademaker

(74) *Attorney, Agent, or Firm*—Ralph E. Jocke; Nancy Lynn Reeves; Walker & Jocke

(57) **CLAIM**

The ornamental design for a voting terminal, as shown and described.

DESCRIPTION

FIG. 1 is a front perspective view of a voting terminal showing our new design;

FIG. 2 is a front elevation view thereof;

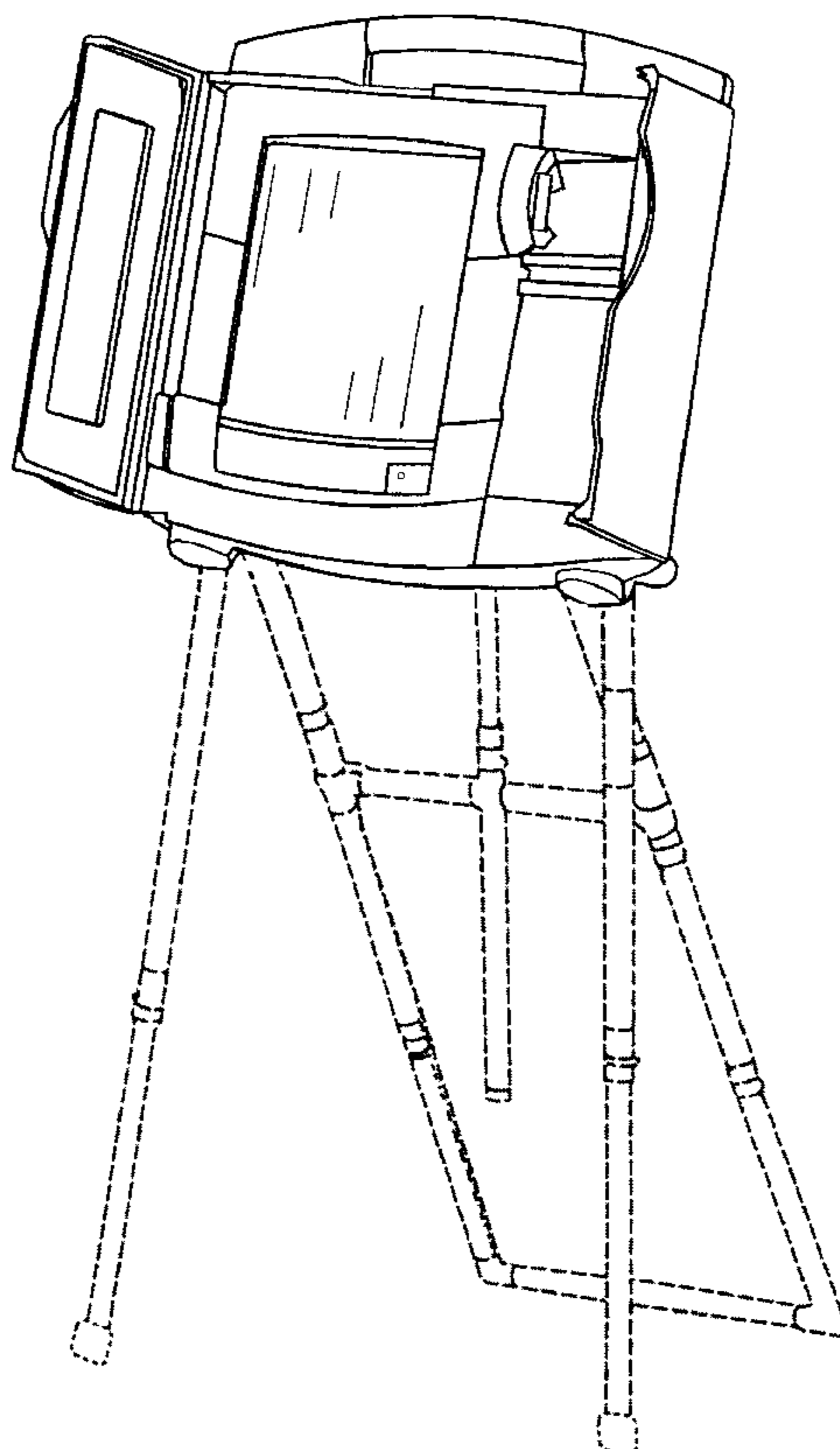
FIG. 3 is a left side elevation view thereof;

FIG. 4 is a top plan view thereof; and,

FIG. 5 is a front elevation view of the voting terminal with the doors in a closed storage position.

The stand shown in broken lines and described is for illustrative purposes only and forms no part of the claimed design.

1 Claim, 3 Drawing Sheets



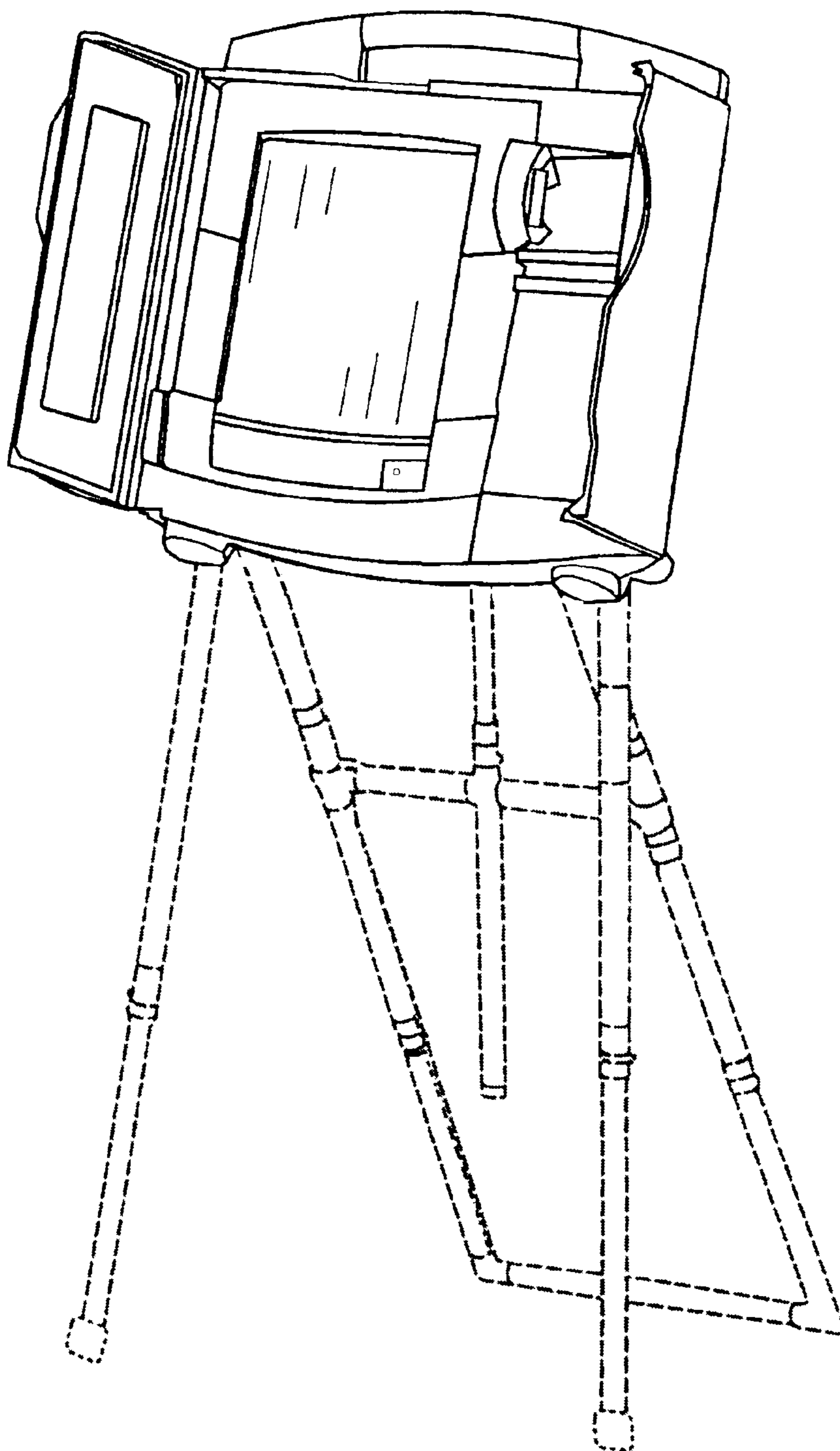


FIG. 1

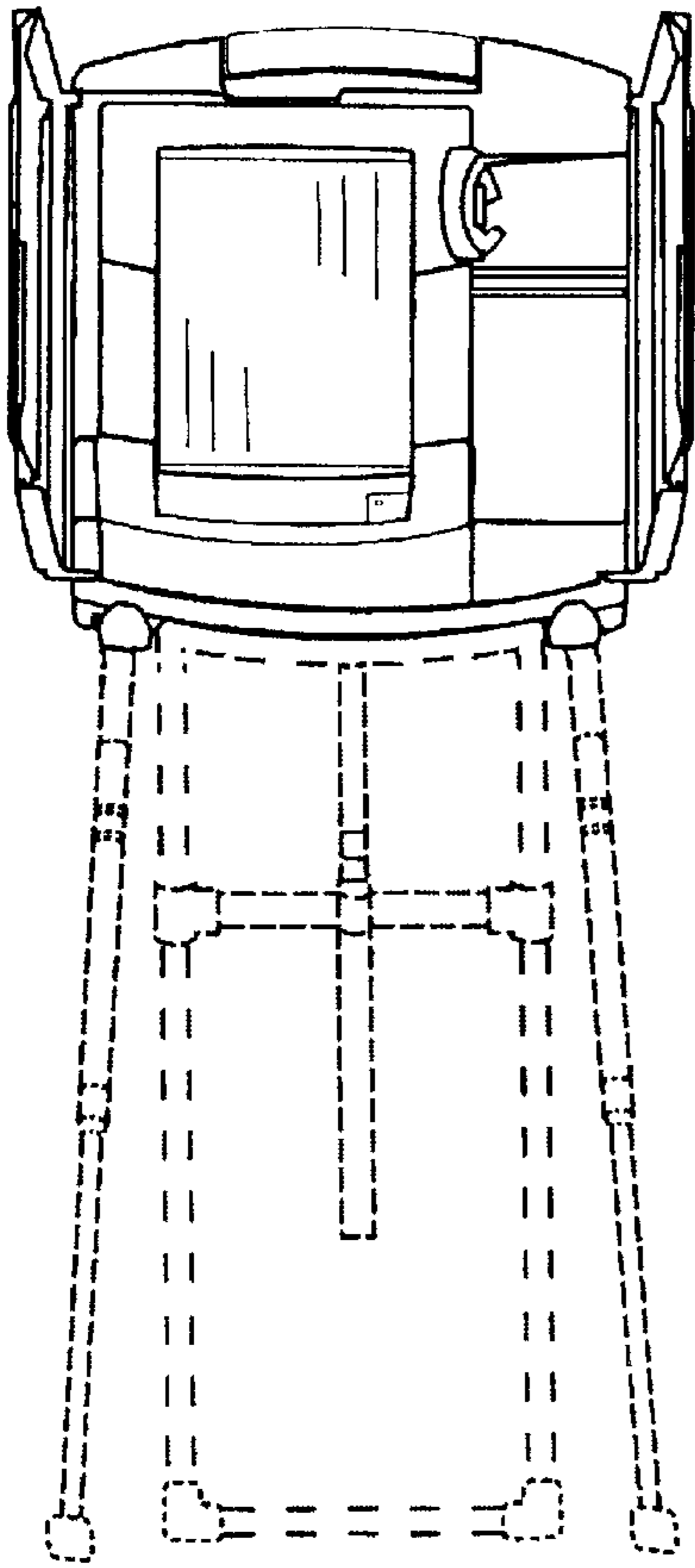


FIG. 2

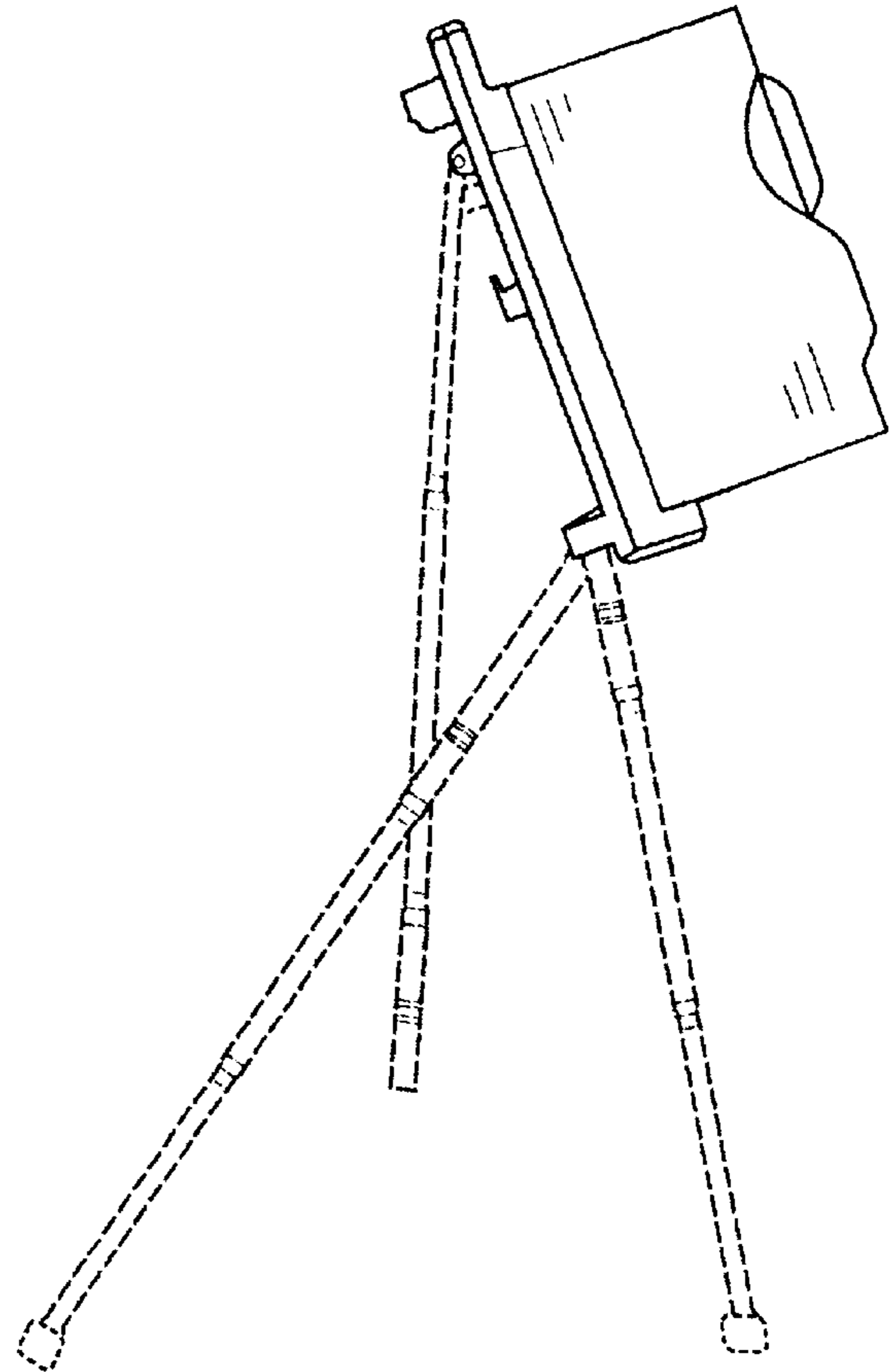


FIG. 3

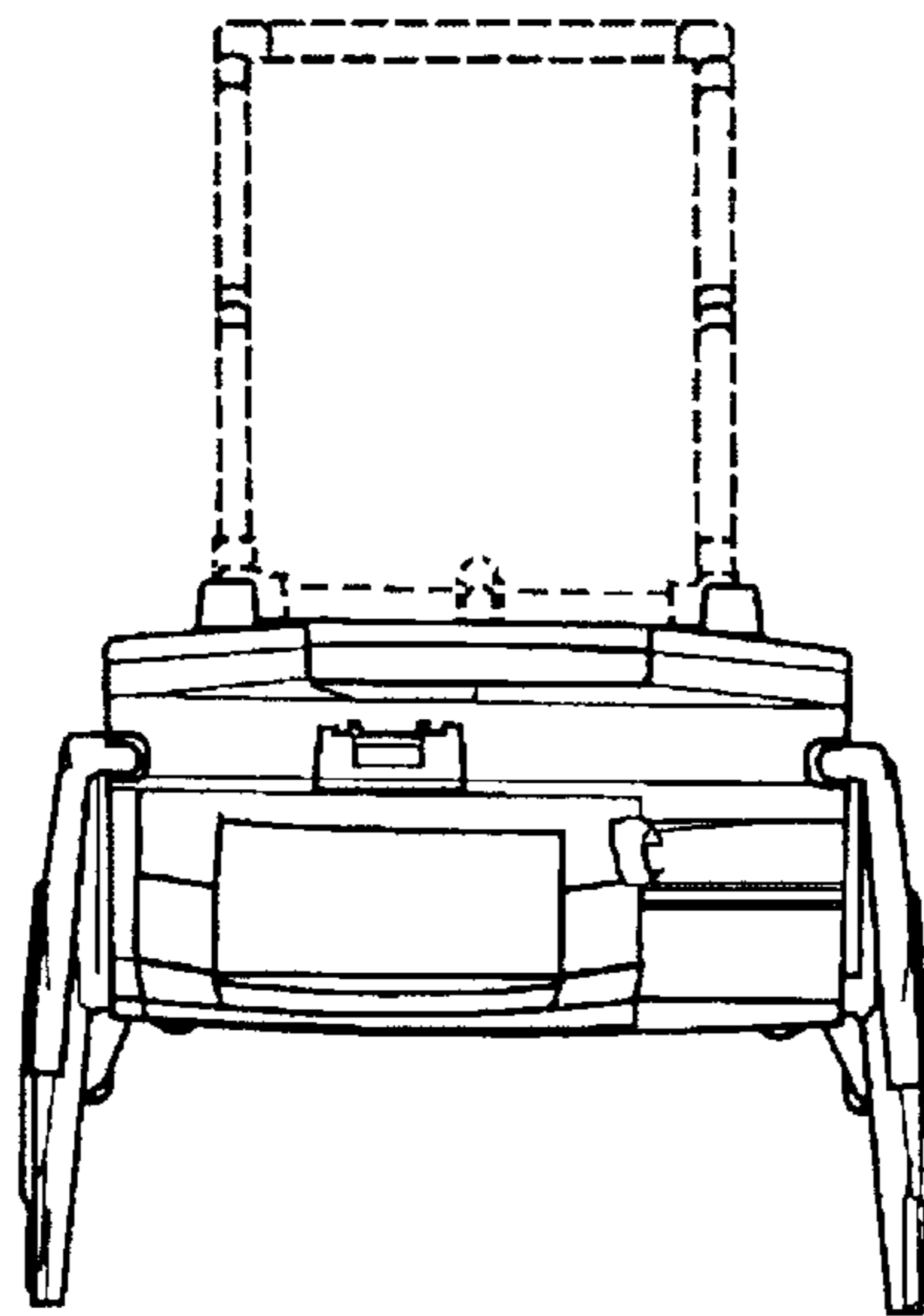


FIG. 4

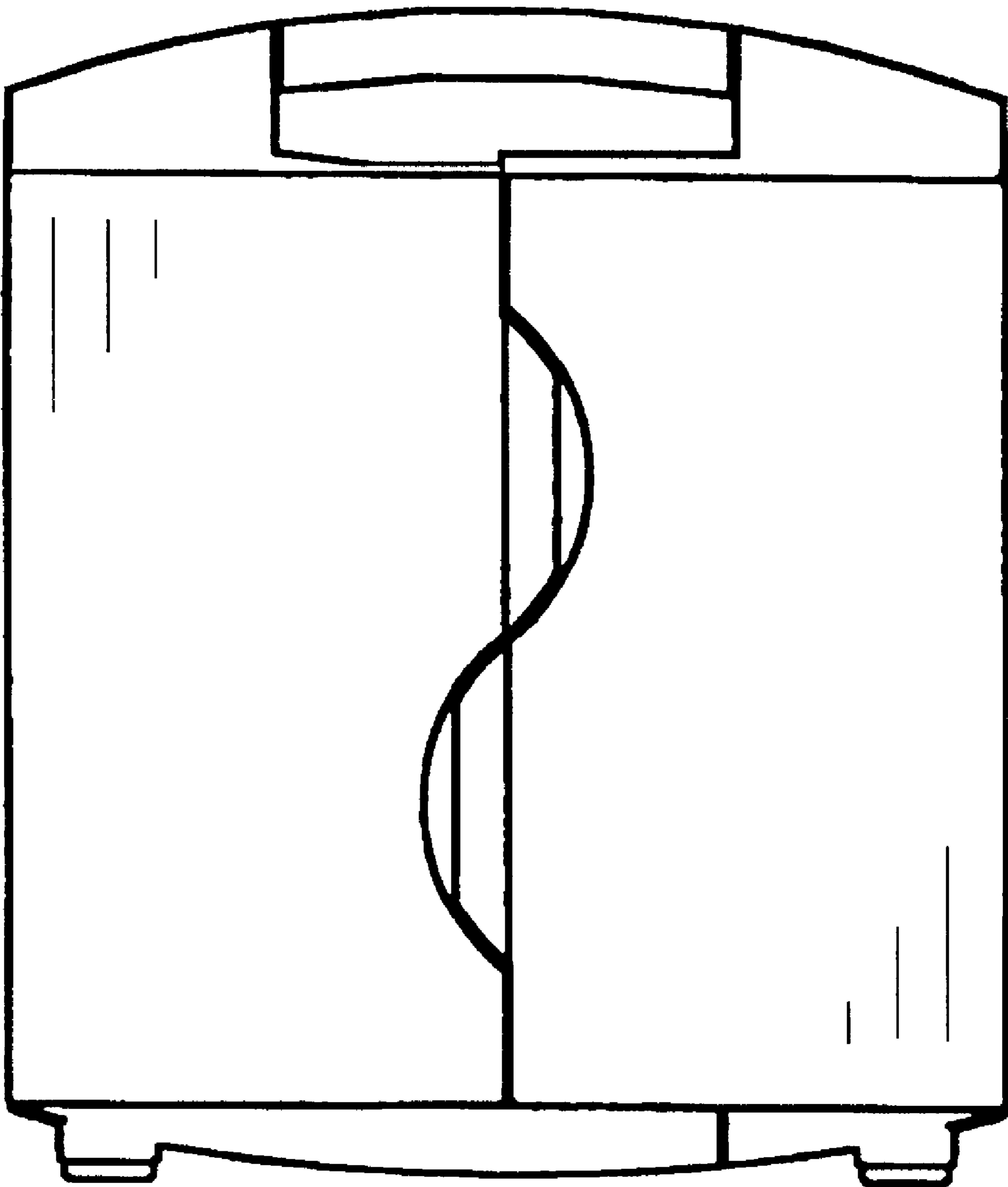


FIG. 5
