



US00D521044S

(12) **United States Design Patent**  
**Miyashita et al.**

(10) **Patent No.:** **US D521,044 S**

(45) **Date of Patent:** **\*\* May 16, 2006**

(54) **CONTAINER FOR PROJECTOR DISPLAY  
PANEL**

(75) Inventors: **Tomoaki Miyashita**, Shimosuwa-machi  
(JP); **Hiroyuki Kojima**, Suwa (JP);  
**Hiromi Saitoh**, Chino (JP)

(73) Assignee: **Seiko Epson Corporation**, Tokyo (JP)

(\*\*) Term: **14 Years**

(21) Appl. No.: **29/236,930**

(22) Filed: **Aug. 25, 2005**

**Related U.S. Application Data**

(62) Division of application No. 29/203,889, filed on Apr. 22,  
2004.

(51) **LOC (8) Cl.** ..... **16-02**

(52) **U.S. Cl.** ..... **D16/235**

(58) **Field of Classification Search** ..... D14/374;  
D16/221, 225, 232, 235, 236; 353/115, 119,  
353/122, DIG. 5

See application file for complete search history.

(56) **References Cited**

**U.S. PATENT DOCUMENTS**

4,728,184 A 3/1988 Kyhl  
D321,361 S 11/1991 Lino

D324,210 S 2/1992 Vossoughi et al.  
5,227,820 A 7/1993 Miyashita et al.  
D348,685 S \* 7/1994 Miyazawa ..... D16/236  
5,337,103 A 8/1994 Gulick  
D359,030 S \* 6/1995 Gildea et al. .... D16/235  
D361,586 S \* 8/1995 Noda ..... D16/236  
D379,362 S 5/1997 Marfori et al.  
D392,628 S \* 3/1998 Hayashi ..... D14/374  
6,731,354 B1 5/2004 Menard

\* cited by examiner

*Primary Examiner*—Adir Aronovich

(74) *Attorney, Agent, or Firm*—Oliff & Berridge, PLC

(57) **CLAIM**

The ornamental design for container for projector display  
panel, as shown and described.

**DESCRIPTION**

FIG. 1 is a perspective view of a container for projector  
display panel;

FIG. 2 is a front view thereof;

FIG. 3 is a rear view thereof;

FIG. 4 is a top view thereof;

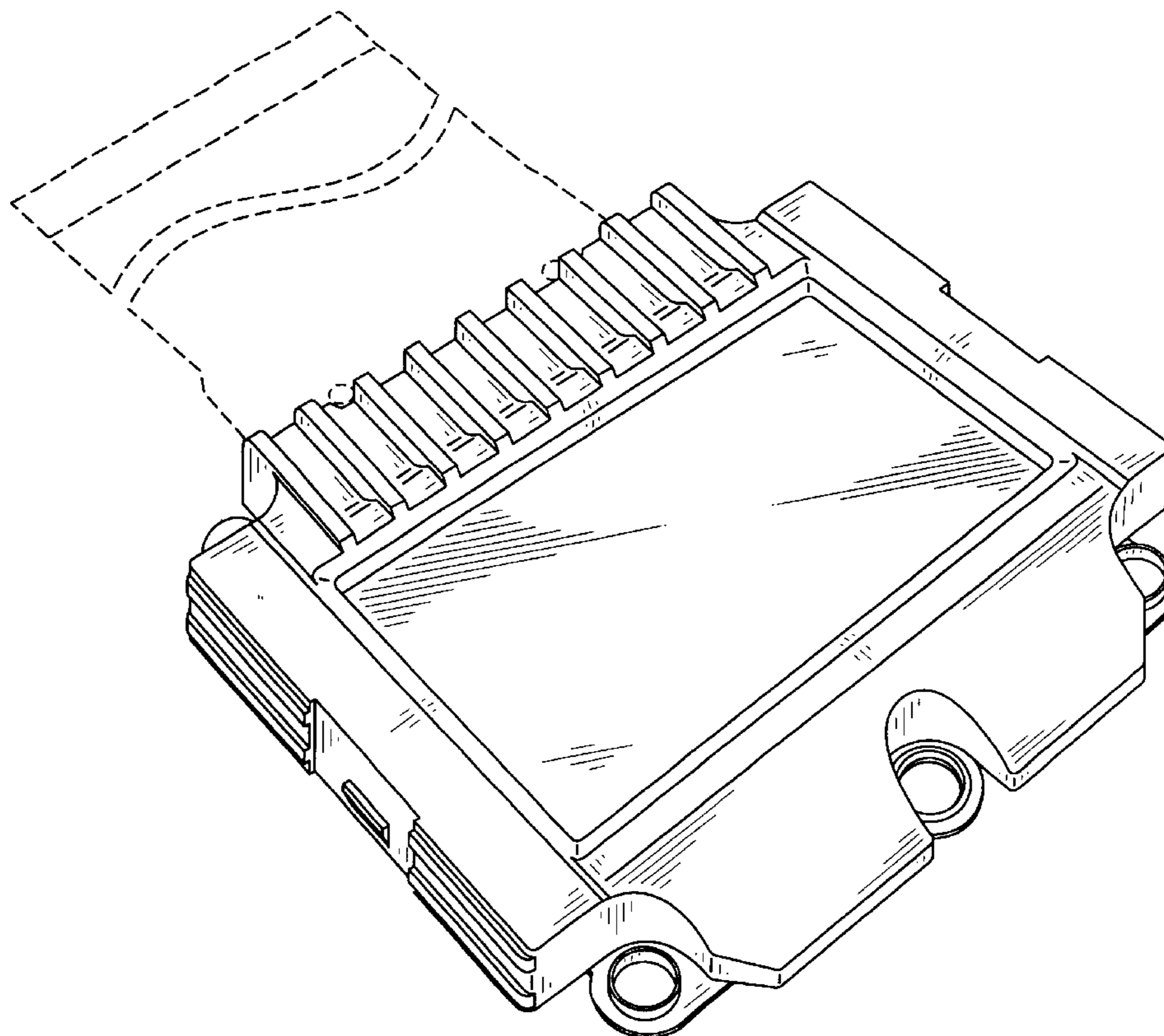
FIG. 5 is a bottom view thereof;

FIG. 6 is a left side view thereof; and,

FIG. 7 is a right side view thereof.

The broken line showing is for illustrative purposes only and  
forms no part of the claimed design.

**1 Claim, 4 Drawing Sheets**



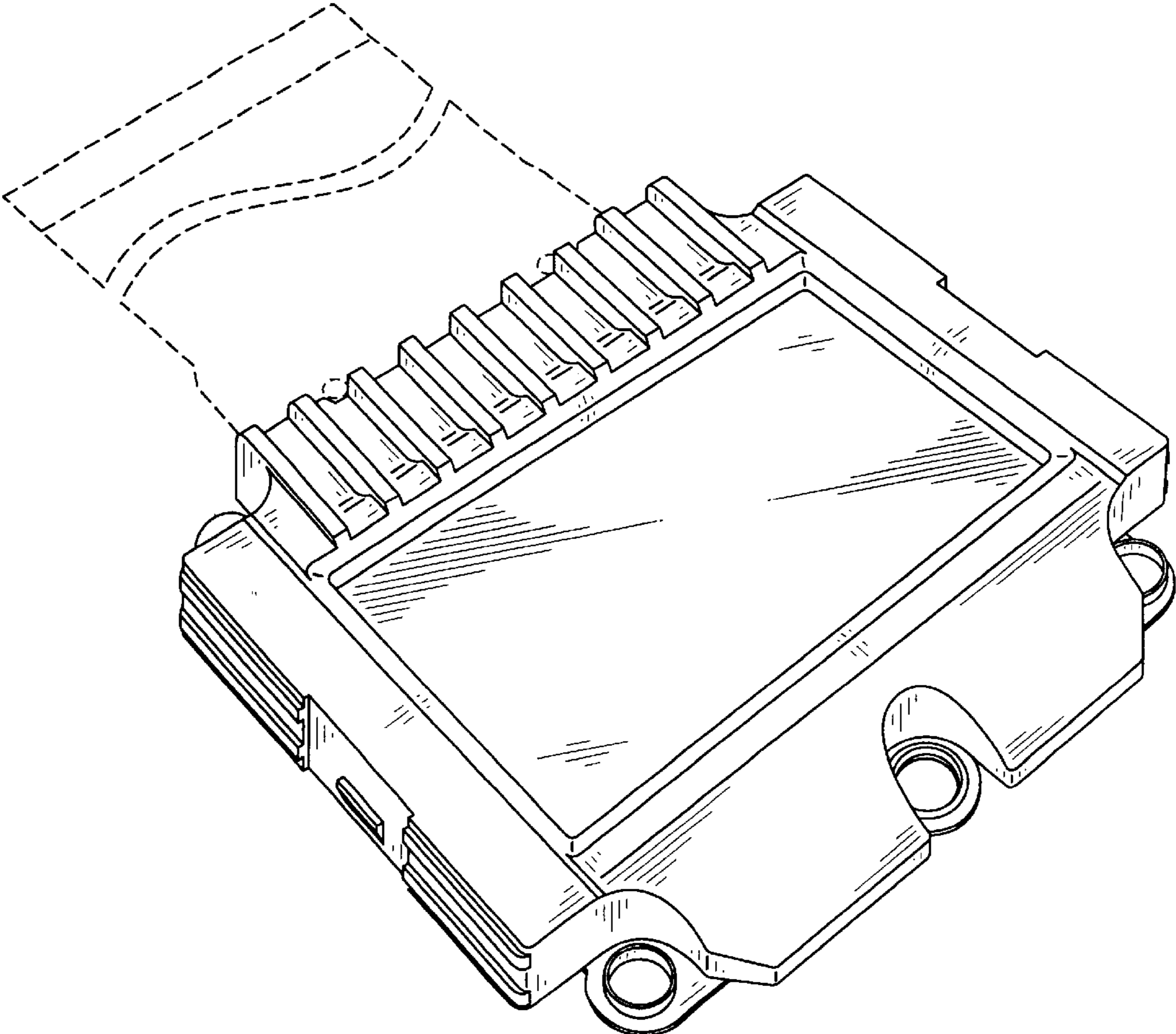


FIG. 1

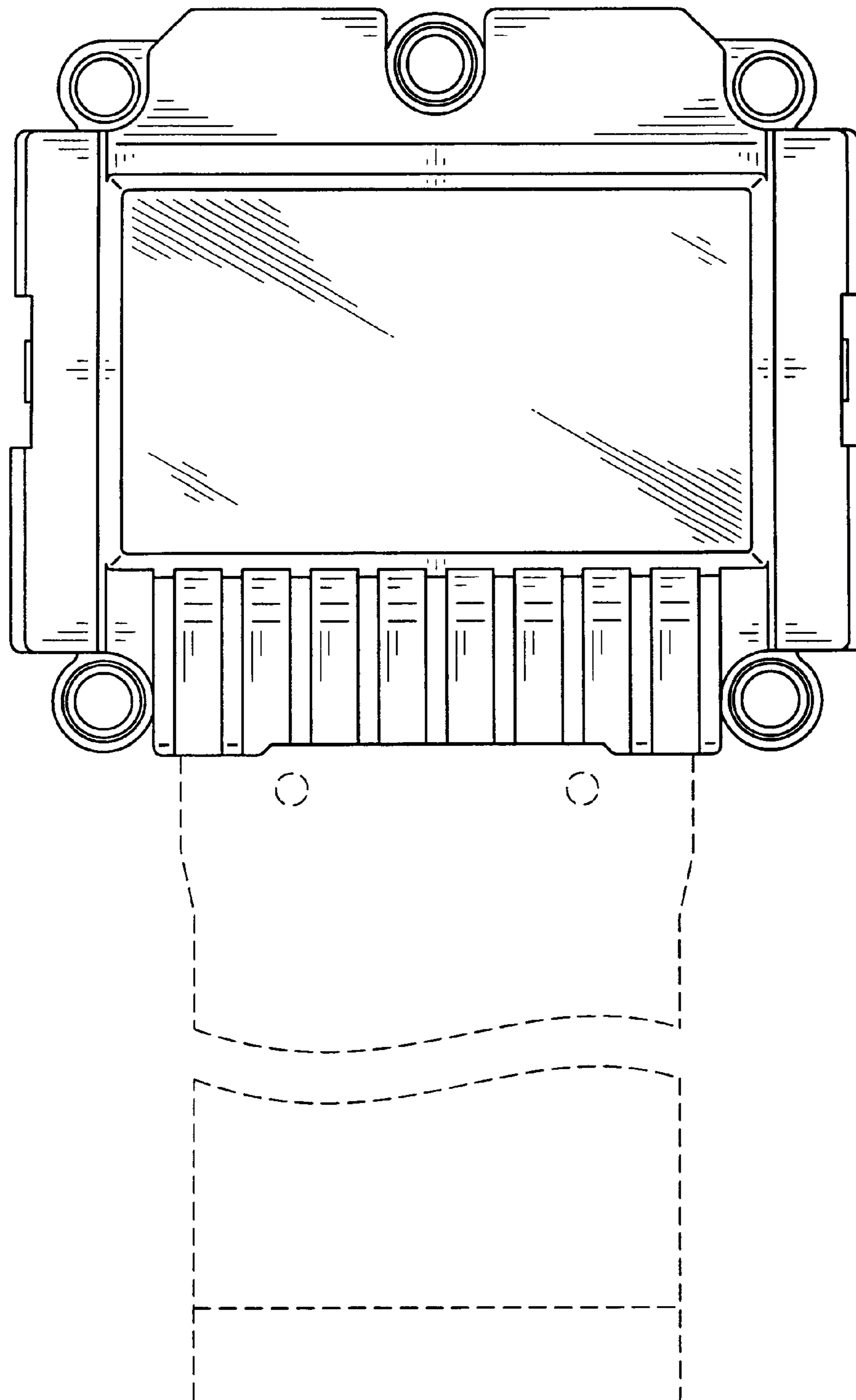


FIG. 2

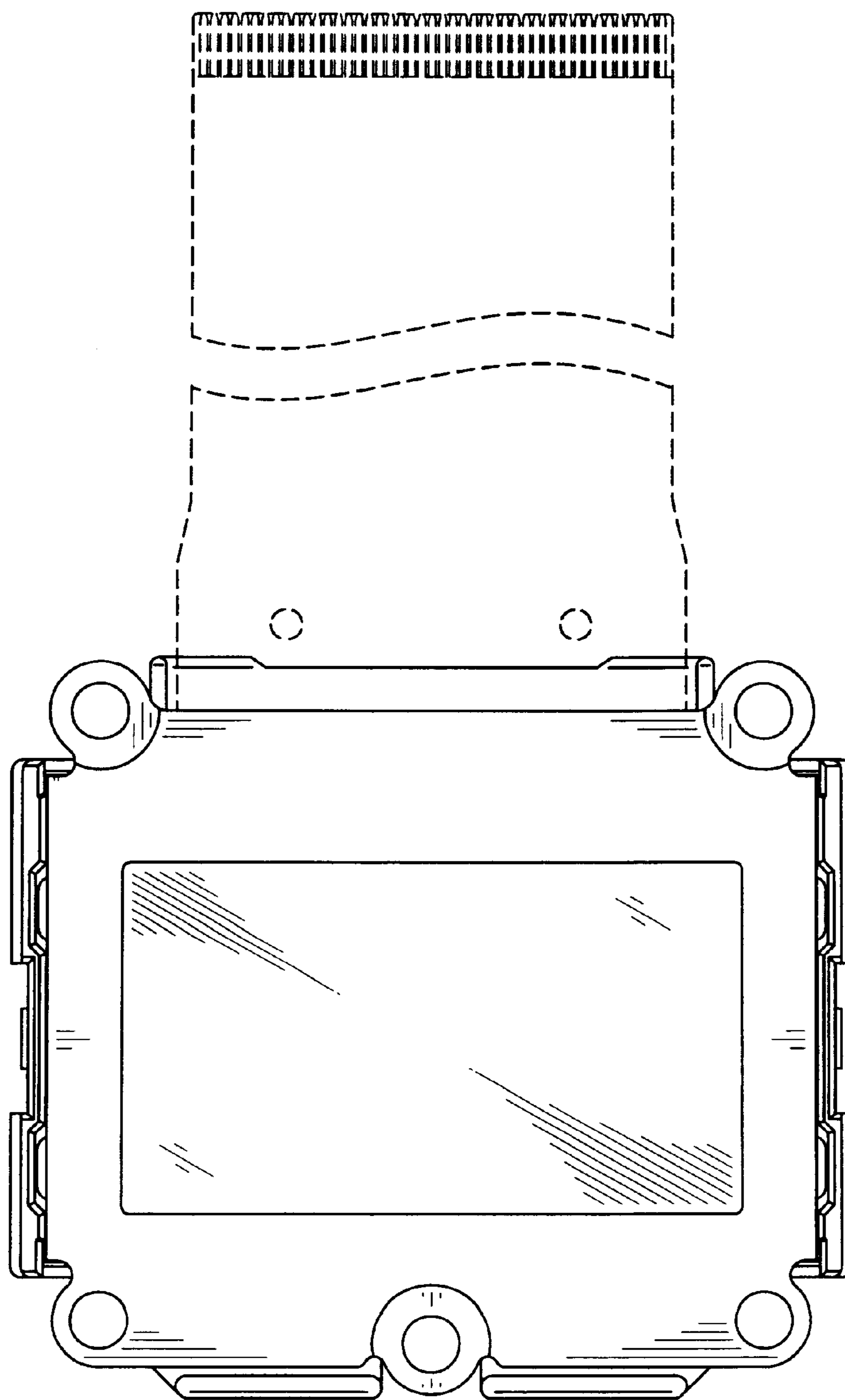


FIG. 3

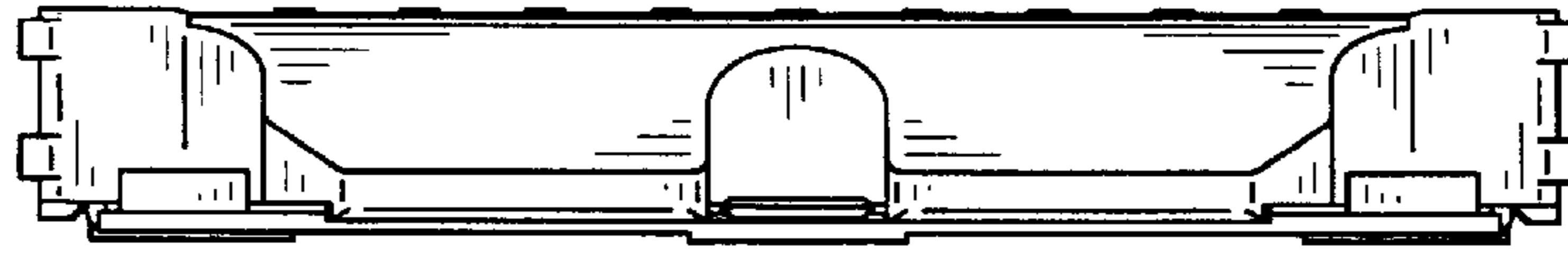


FIG. 4

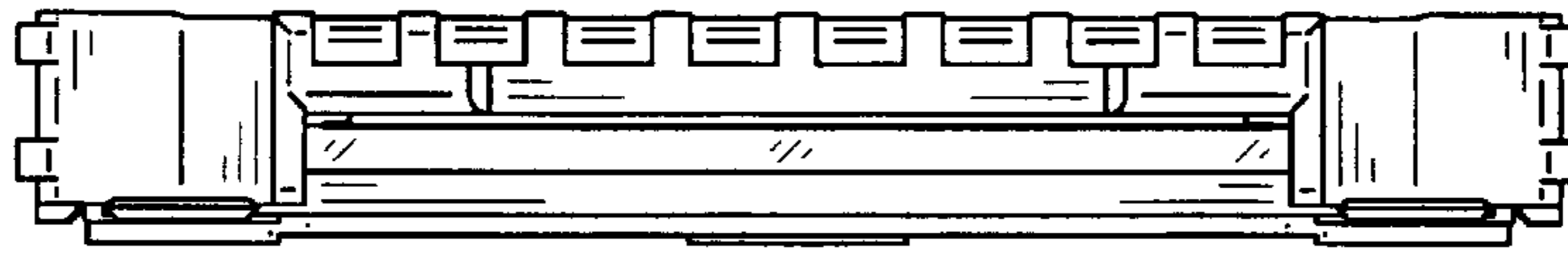


FIG. 5

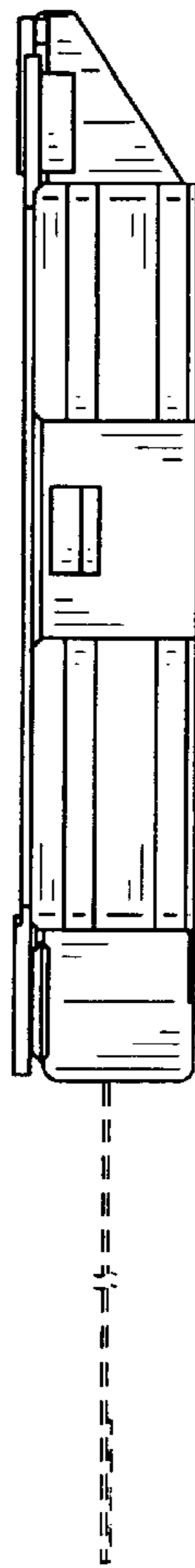


FIG. 6

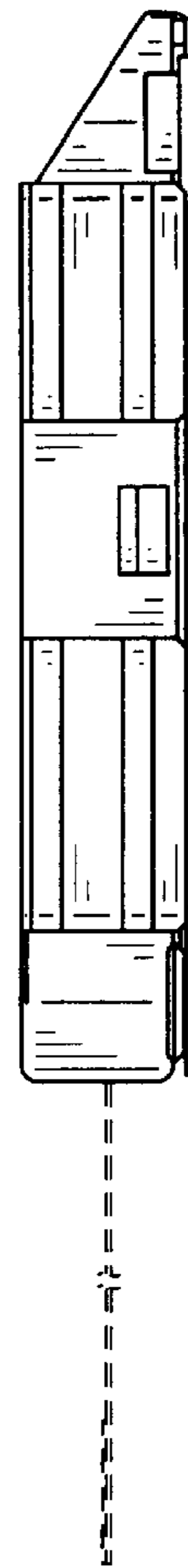


FIG. 7