

US00D521043S

(12) **United States Design Patent**  
**Takagi**

(10) **Patent No.:** **US D521,043 S**

(45) **Date of Patent:** **\*\* May 16, 2006**

(54) **CAMERA**

D508,711 S \* 8/2005 Suzuki ..... D16/218

(75) **Inventor:** **Noriaki Takagi**, Tokyo (JP)

**OTHER PUBLICATIONS**

(73) **Assignee:** **Sony Corporation**, Tokyo (JP)

Web page "Sony Drive, DSC-T11," <http://www.ecat.sony.co.jp/camera/dsc/products/index.cfm?PD=17018&KM=DSC-T11>, 1 sheet, Sony Marketing (Japan) Inc. (Oct. 2004).

(\*\*) **Term:** **14 Years**

\* cited by examiner

(21) **Appl. No.:** **29/218,389**

*Primary Examiner*—Adir Aronovich

(22) **Filed:** **Dec. 2, 2004**

(74) *Attorney, Agent, or Firm*—Rader, Fishman & Grauer PLLC

(51) **LOC (8) Cl.** ..... **16-01**

(52) **U.S. Cl.** ..... **D16/218; D16/202**

(58) **Field of Classification Search** ..... D16/200–205,  
D16/208, 209, 218; 348/373–376; 358/906,  
358/909.1; 396/535–541

See application file for complete search history.

(57) **CLAIM**

The ornamental design for a camera, as shown.

(56) **References Cited**

**DESCRIPTION**

**U.S. PATENT DOCUMENTS**

D387,078 S	*	12/1997	Akita	.....	D16/202
6,434,337 B1	*	8/2002	Misawa	.....	358/909.1
D474,218 S	*	5/2003	Nagayama	.....	D16/202
D484,902 S	*	1/2004	Baba	.....	D16/202
D494,203 S	*	8/2004	Yoo	.....	D16/202
D496,678 S		9/2004	Kawase		

FIG. 1 is a perspective view of a camera showing my new design;

FIG. 2 is a front elevational view thereof;

FIG. 3 is a rear elevational view thereof;

FIG. 4 is a left side elevational view thereof;

FIG. 5 is a right side elevational view thereof;

FIG. 6 is a top plan view thereof; and,

FIG. 7 is a bottom plan view thereof.

**1 Claim, 4 Drawing Sheets**

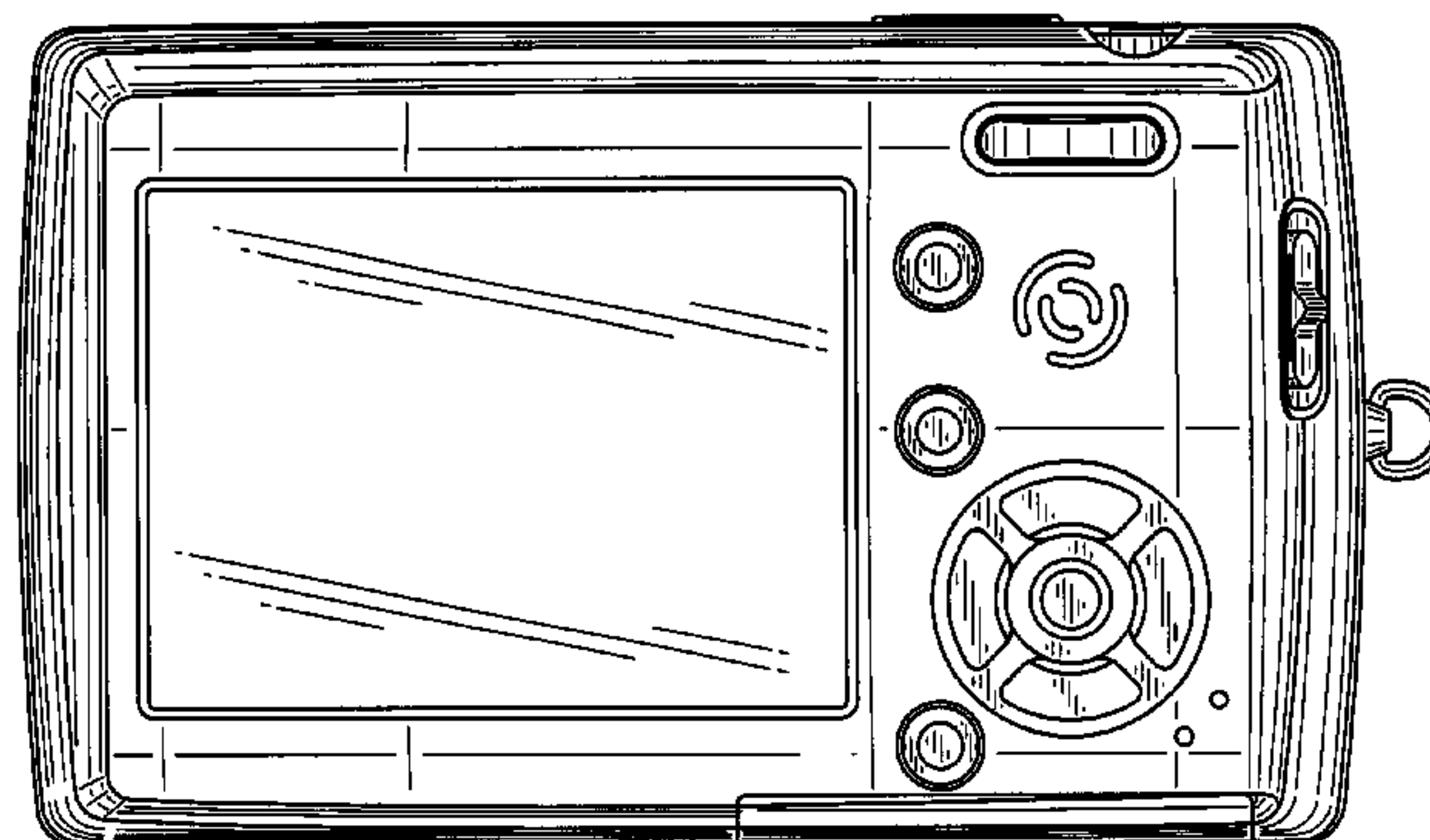
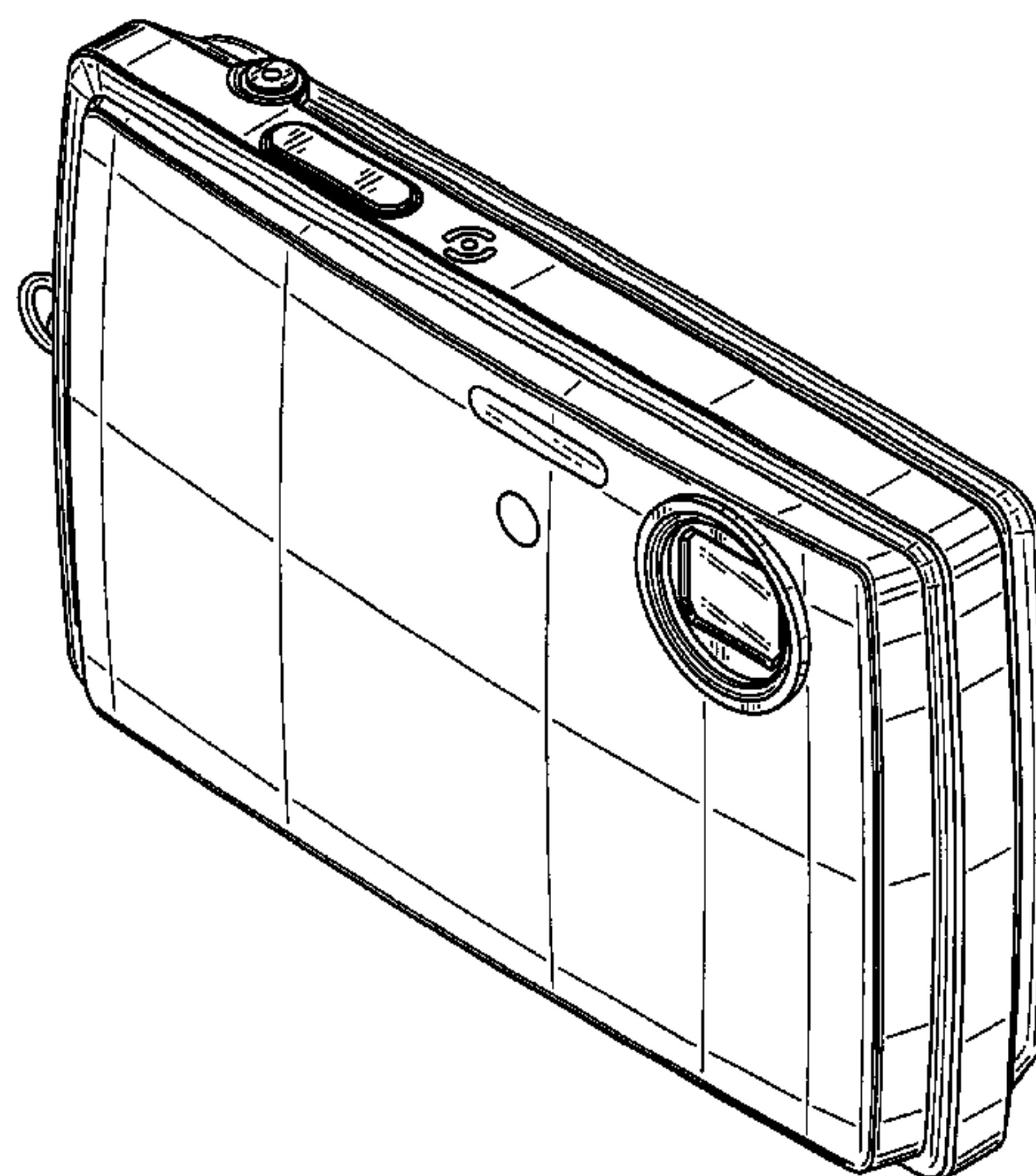


Fig. 1

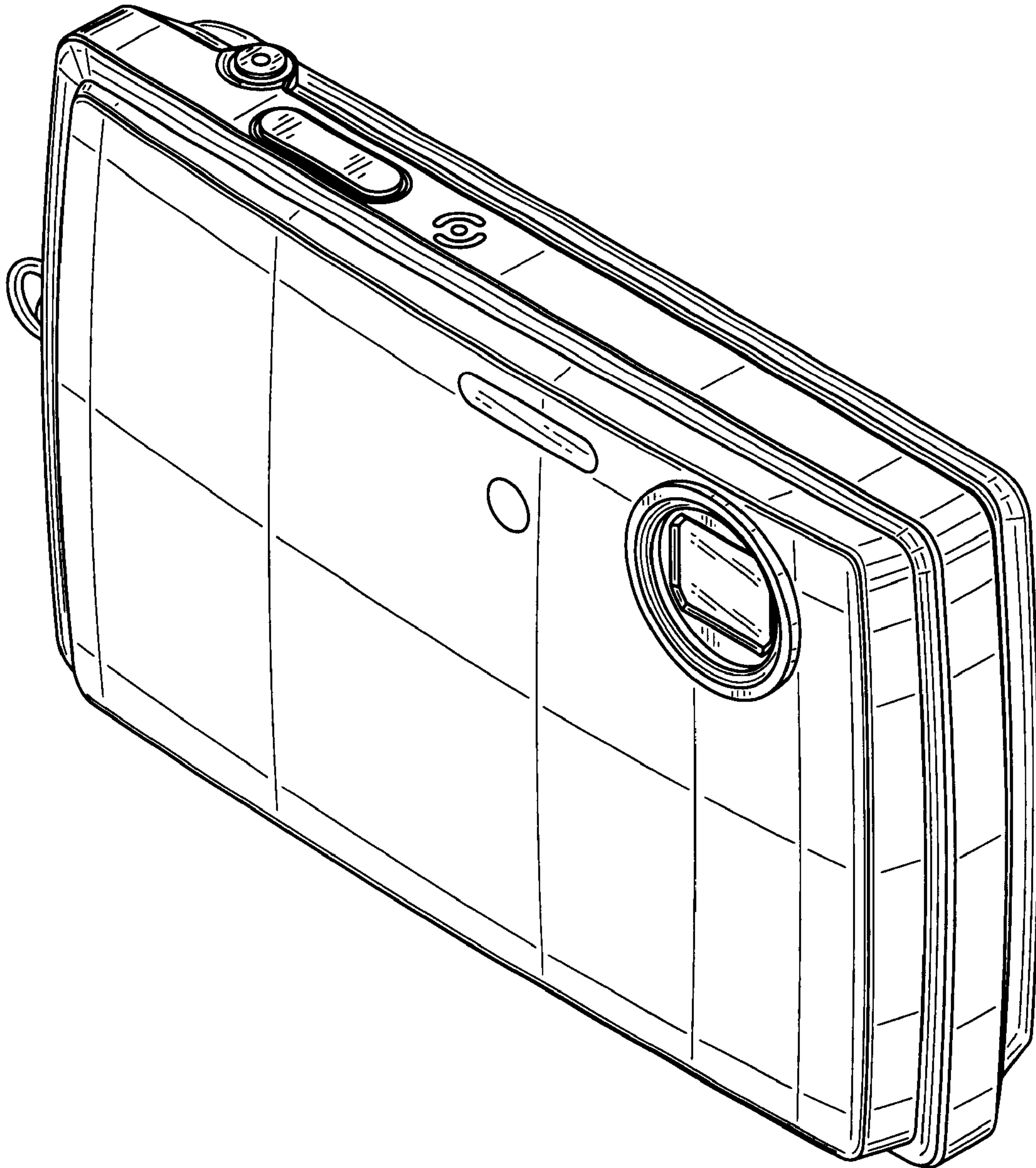


Fig.2

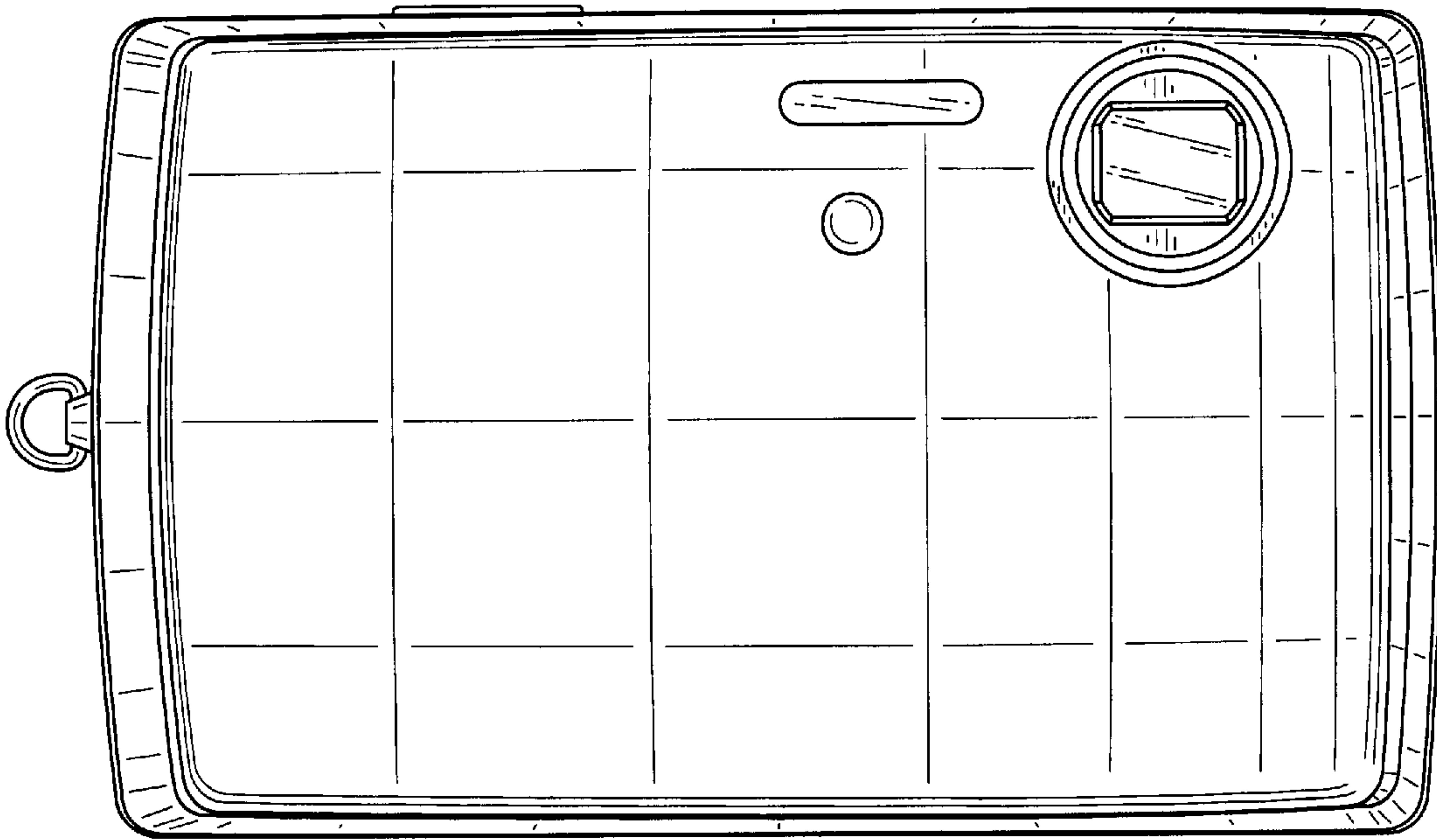


Fig.3

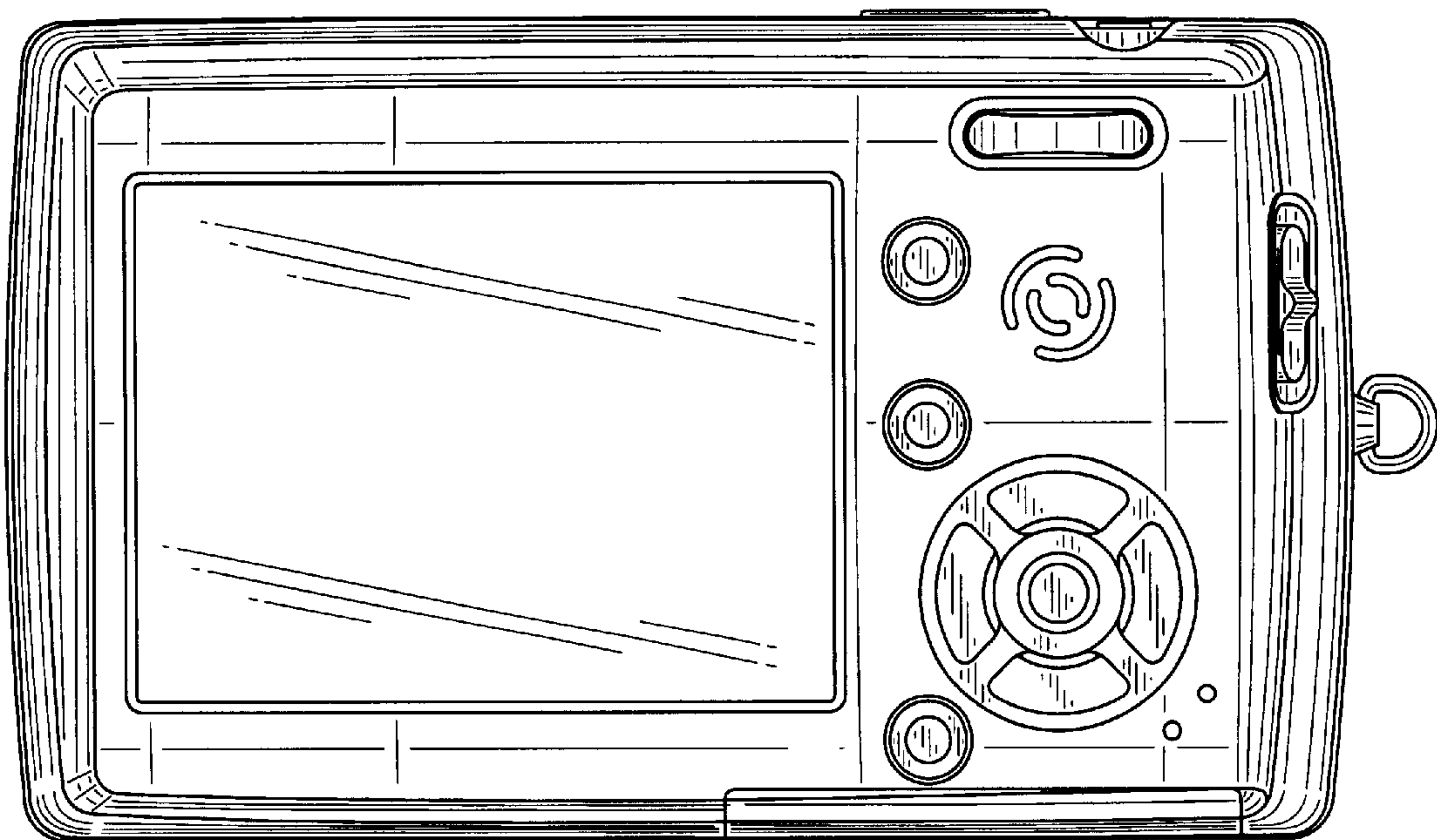


Fig.4

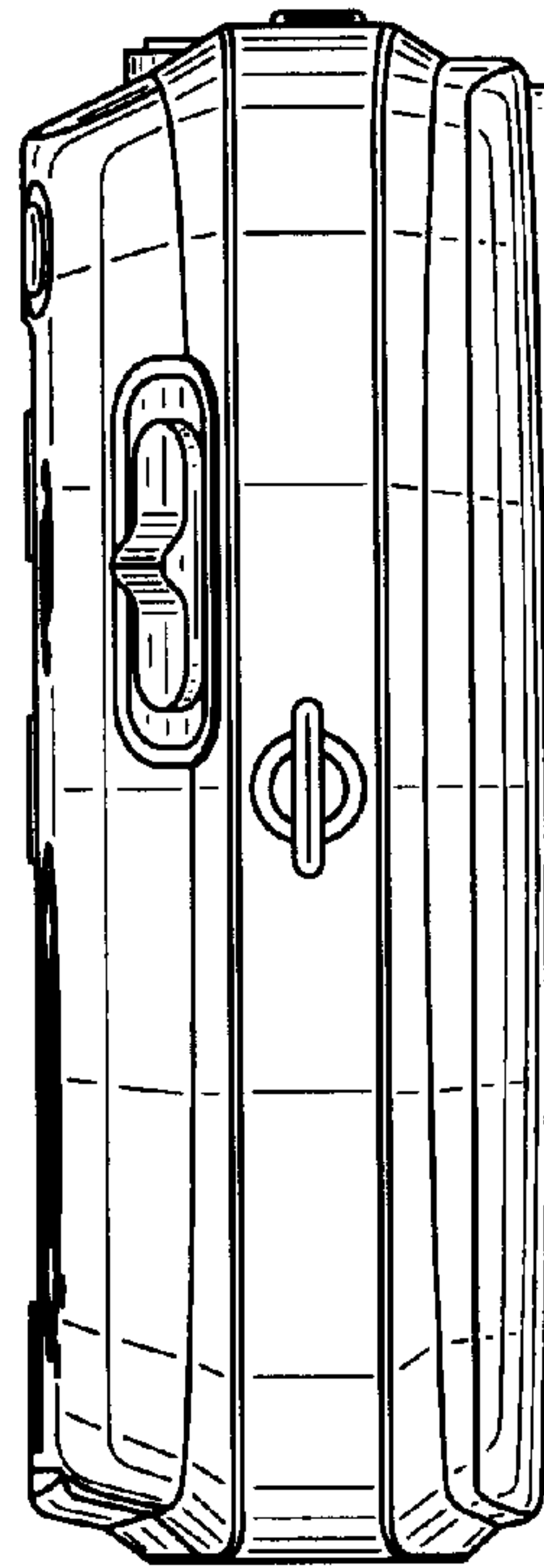


Fig.5

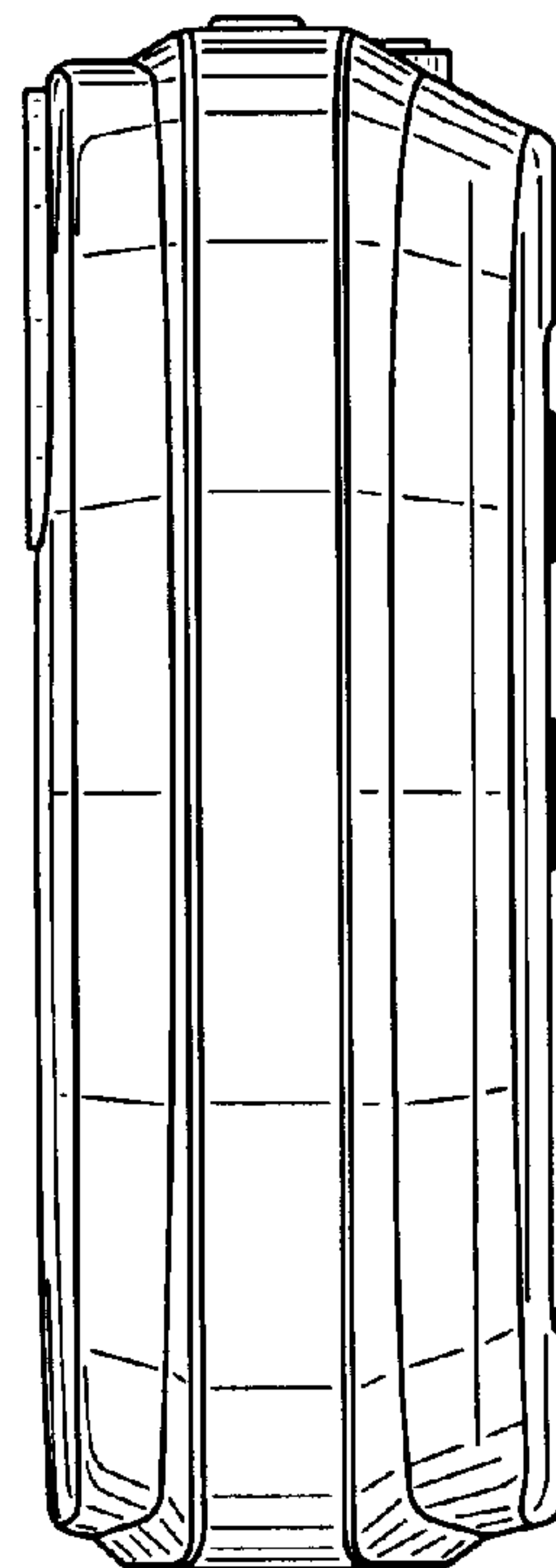


Fig.6

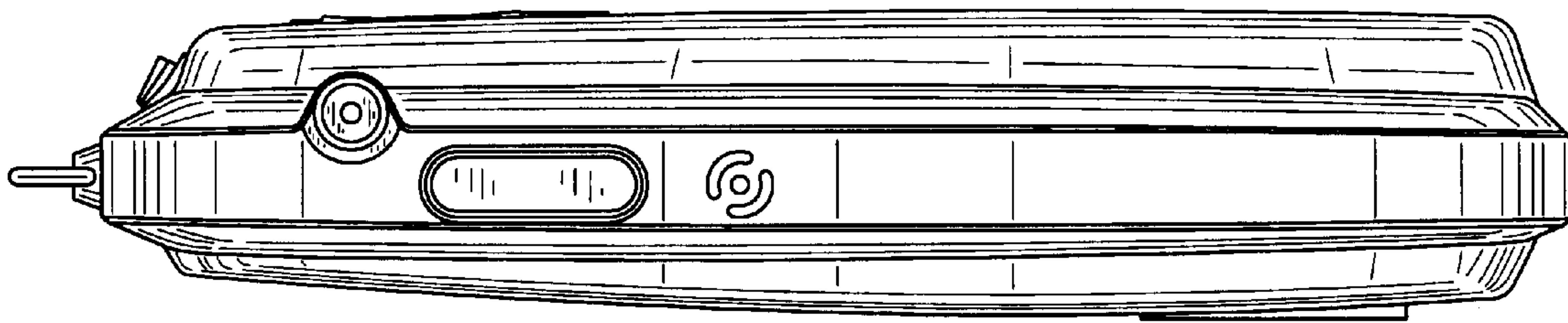


Fig.7

