

US00D521040S

(12) **United States Design Patent**
Kuroda

(10) **Patent No.:** **US D521,040 S**

(45) **Date of Patent:** **** May 16, 2006**

(54) **DIGITAL CAMERA**

(75) Inventor: **Tetsuji Kuroda**, Kanagawa (JP)

(73) Assignee: **PENTAX Corporation**, Tokyo (JP)

(**) Term: **14 Years**

(21) Appl. No.: **29/217,758**

(22) Filed: **Nov. 23, 2004**

(30) **Foreign Application Priority Data**

Jun. 10, 2004 (JP) 2004-017297

(51) **LOC (8) Cl.** **16-01**

(52) **U.S. Cl.** **D16/202**

(58) **Field of Classification Search** D16/200–205,
D16/208, 209, 218, 219; 348/373–376; 358/909.1;
396/535–541

See application file for complete search history.

(56) **References Cited**

U.S. PATENT DOCUMENTS

D450,073 S	*	11/2001	Sumita	D16/202
D450,737 S	*	11/2001	Suzuki	D16/202
D480,742 S	*	10/2003	Chin	D16/202
D484,520 S	*	12/2003	Jin	D16/202
D494,990 S	*	8/2004	Su et al.	D16/202
D510,746 S	*	10/2005	Imai	D16/202

2002/0145670 A1 * 10/2002 Uwagawa et al. 348/375

* cited by examiner

Primary Examiner—Adir Aronovich

(74) *Attorney, Agent, or Firm*—Sughrue Mion, PLLC

(57) **CLAIM**

The ornamental design for a digital camera, as shown and described.

DESCRIPTION

FIG. 1 is a perspective view of the front, right, and top sides of a digital camera showing my new design;

FIG. 2 is a top plan view thereof;

FIG. 3 is a front elevational view thereof;

FIG. 4 is a left side elevational view thereof;

FIG. 5 is a right side elevational view thereof;

FIG. 6 is a rear elevational view thereof;

FIG. 7 is a bottom plan view thereof;

FIG. 8 is a right side elevational reference view thereof showing a fully extended position of a zoom lens of the digital camera; and,

FIG. 9 is a front elevational reference view thereof in a condition of a case cover being placed on the digital camera. In FIG. 9, the case cover is shown in broken lines for illustrative purposes only and forms no part of the claimed design.

1 Claim, 5 Drawing Sheets

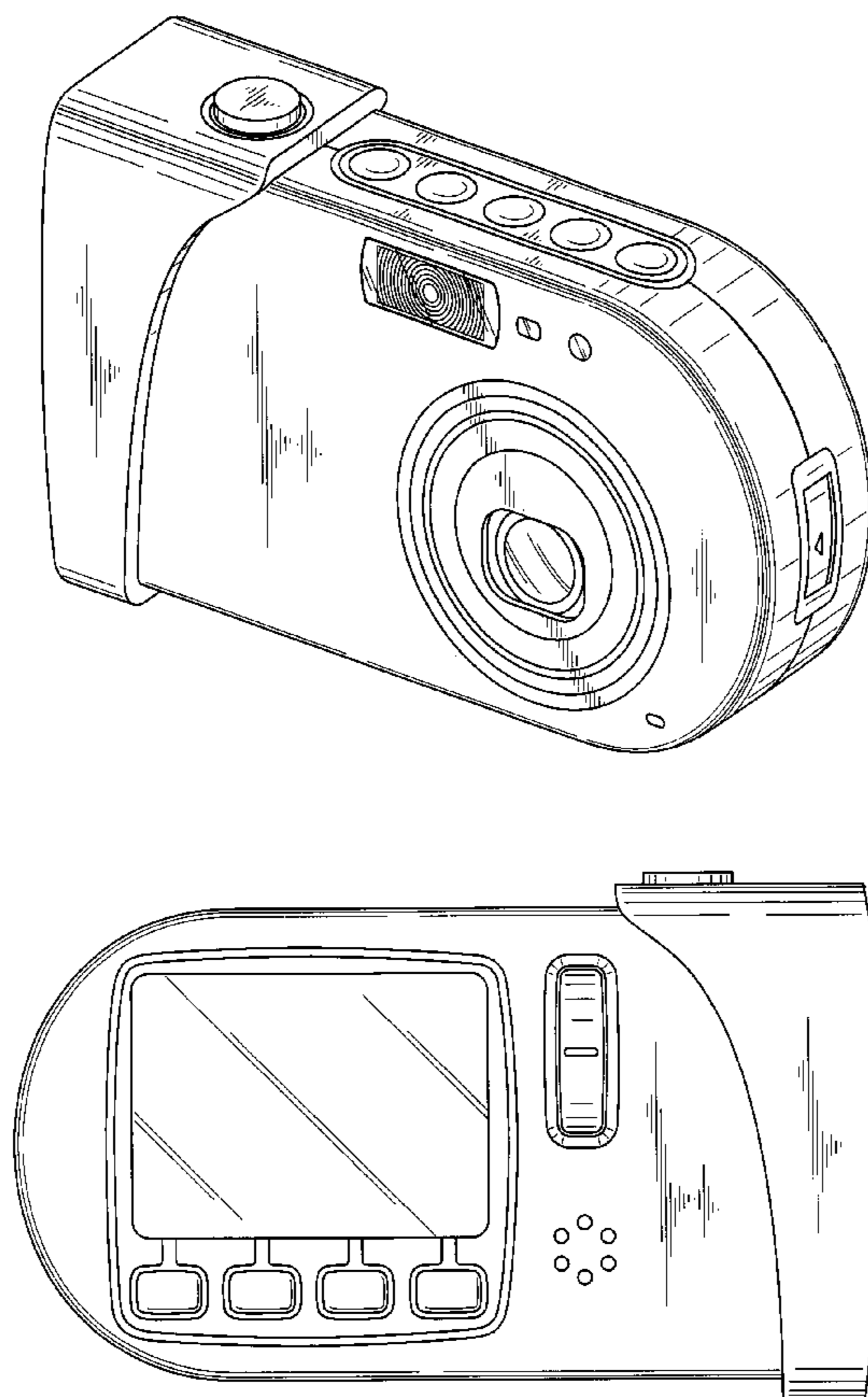


FIG. 1

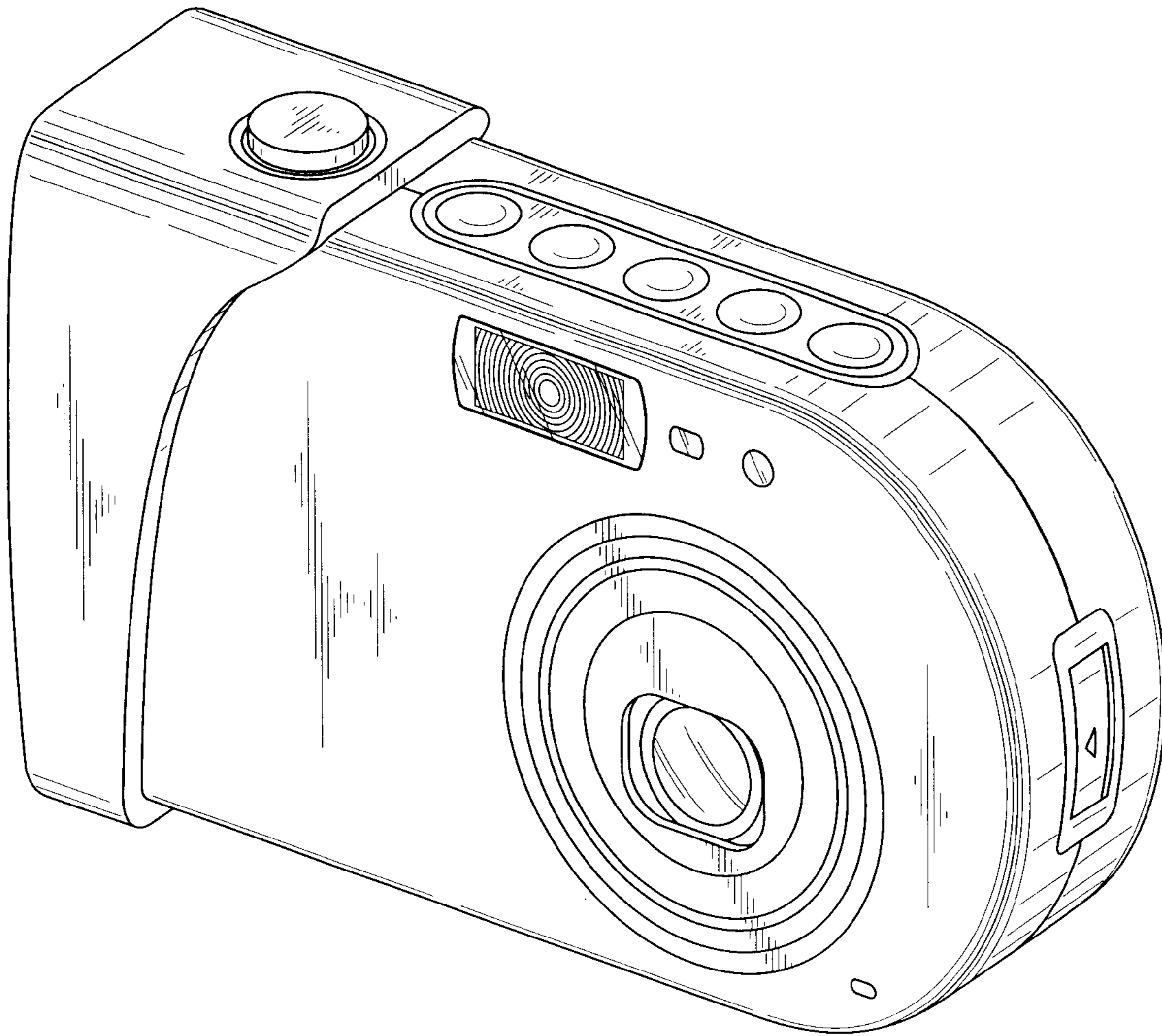


FIG. 2

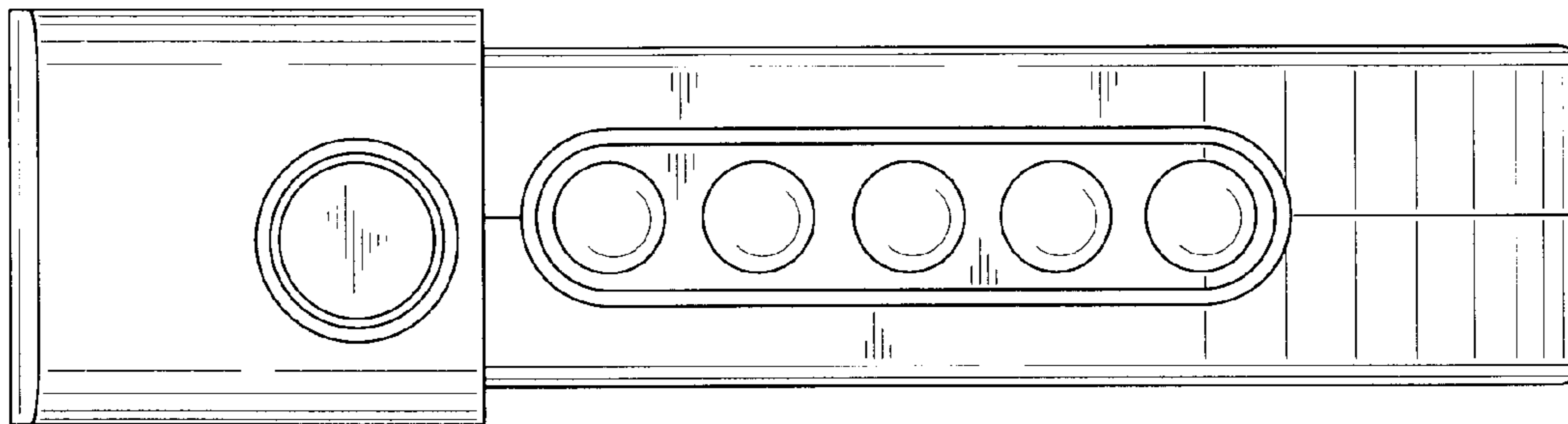


FIG. 3

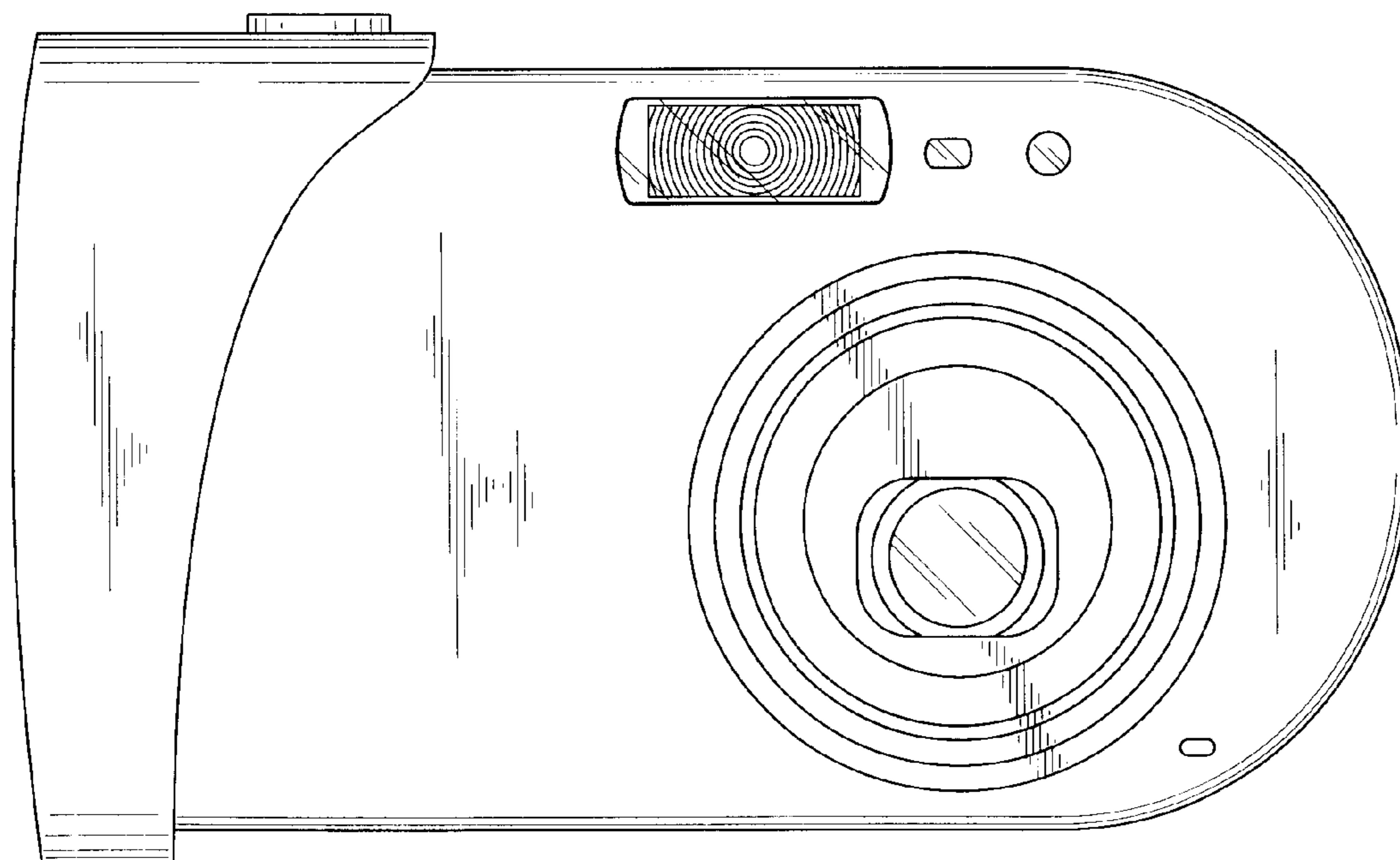


FIG. 4

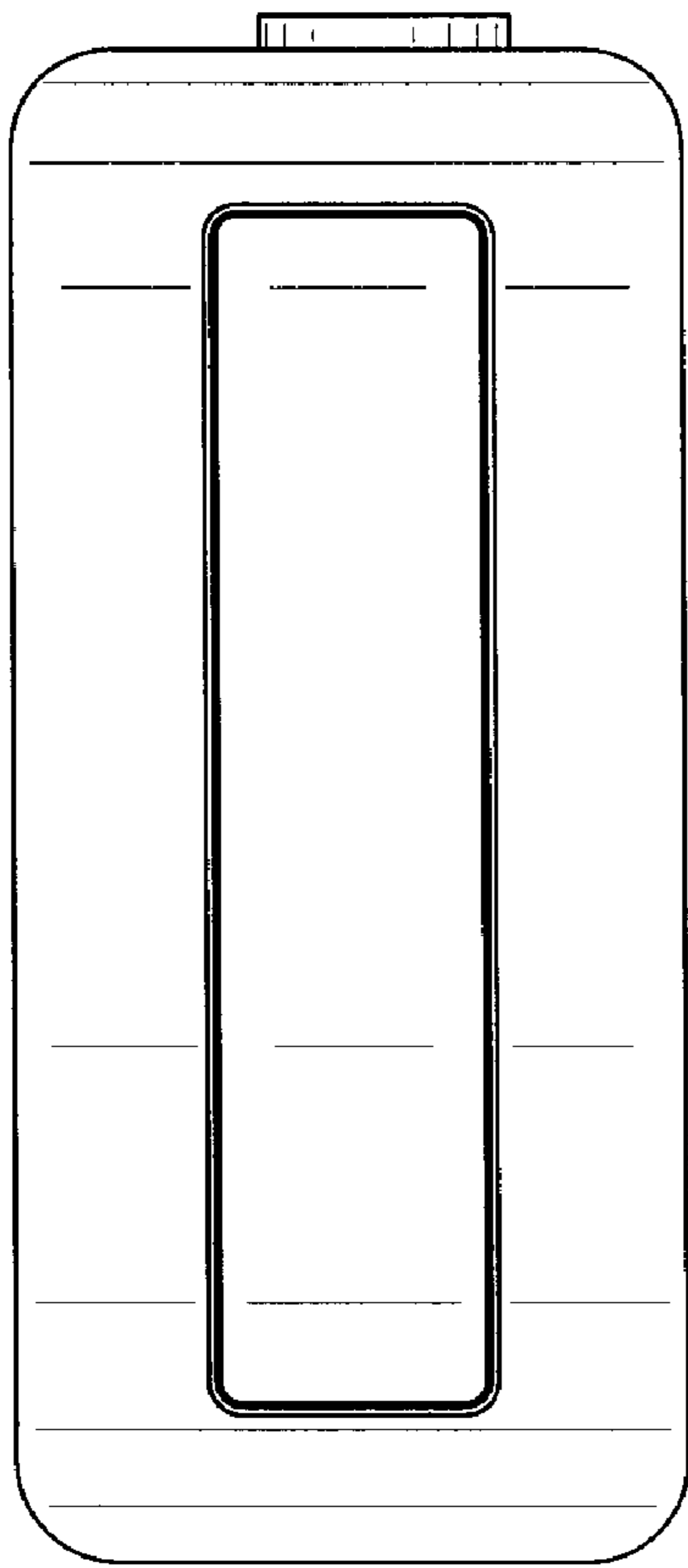


FIG. 5

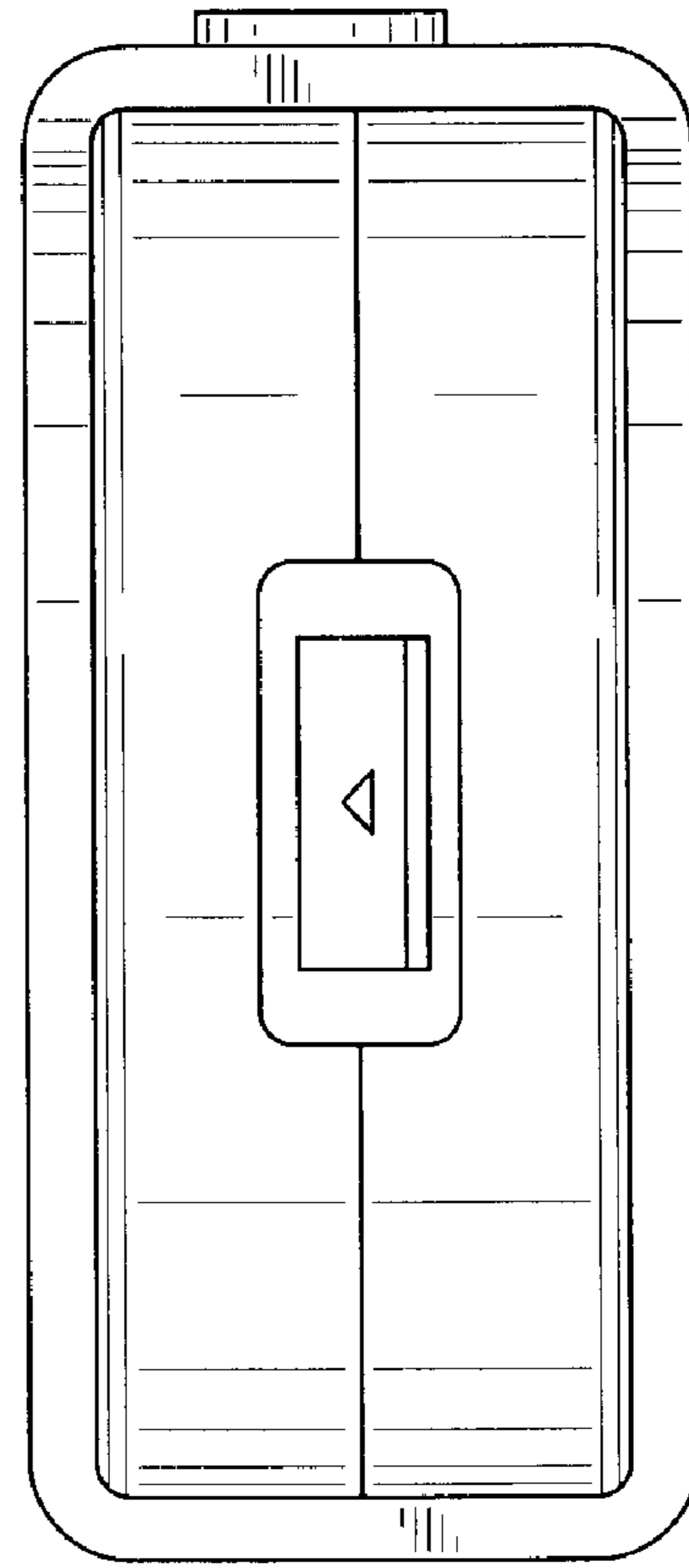


FIG. 6

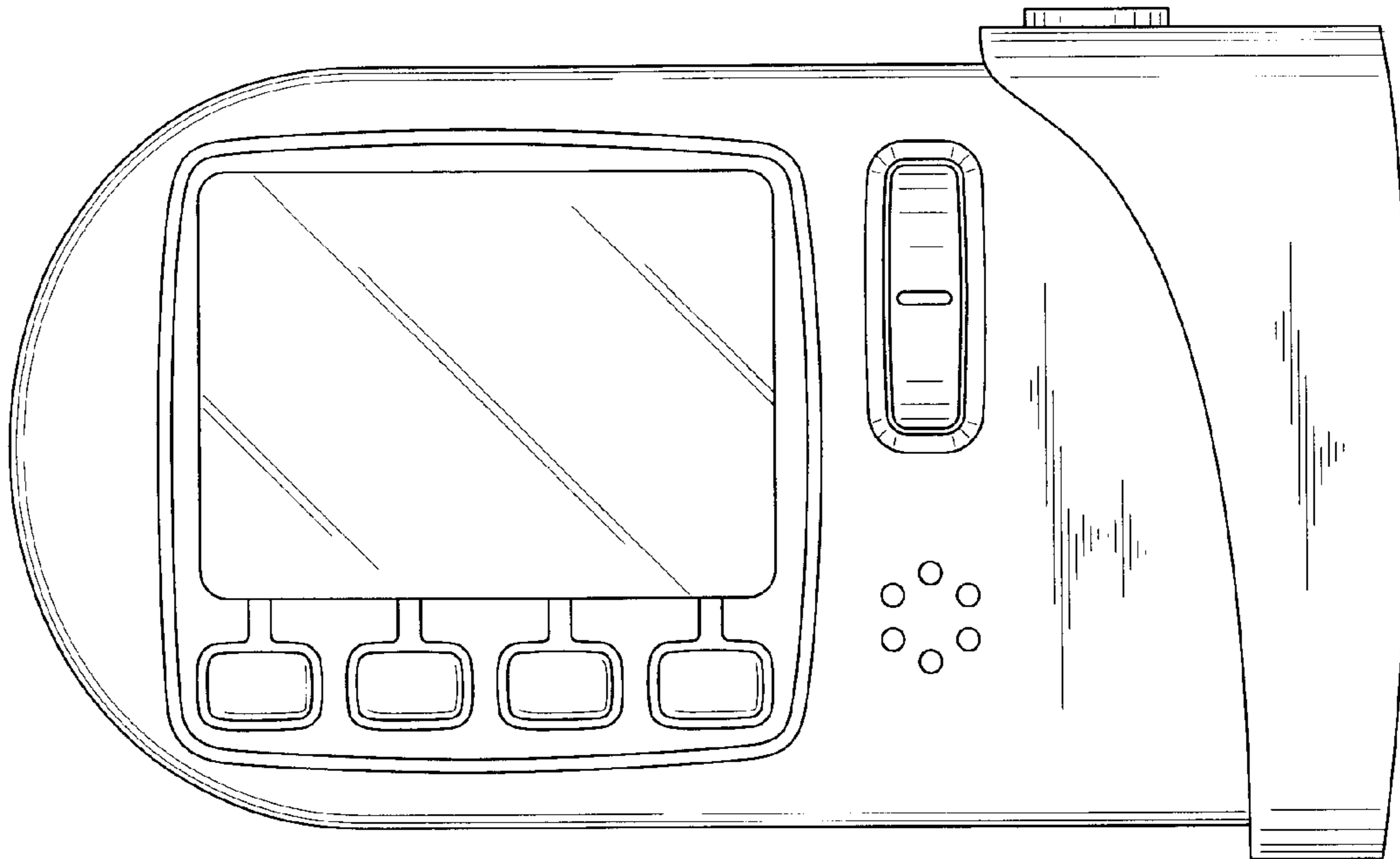


FIG. 7

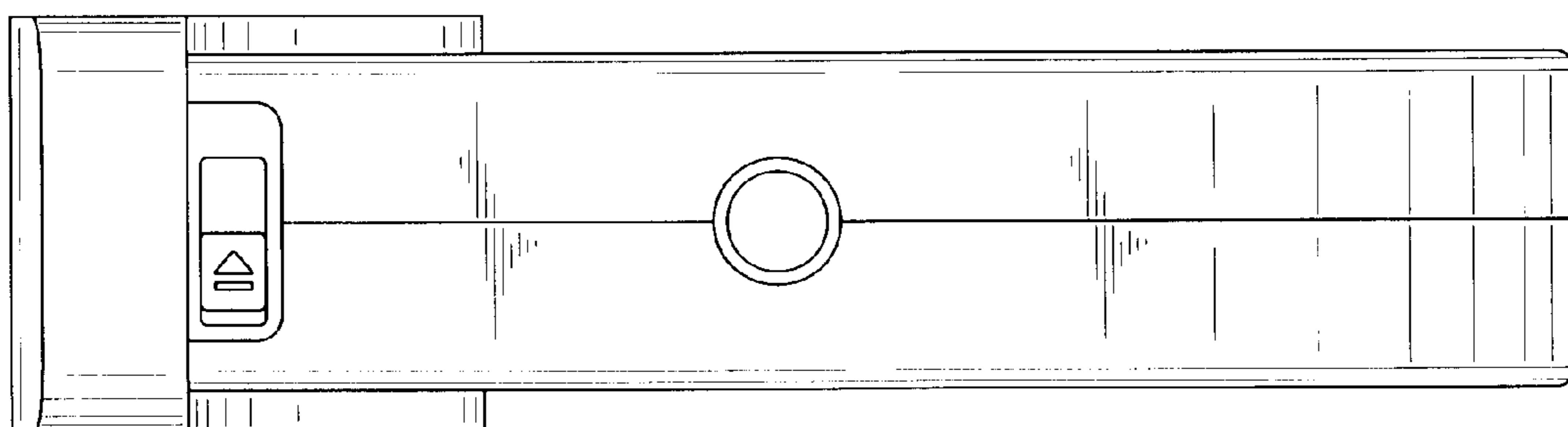


FIG. 8

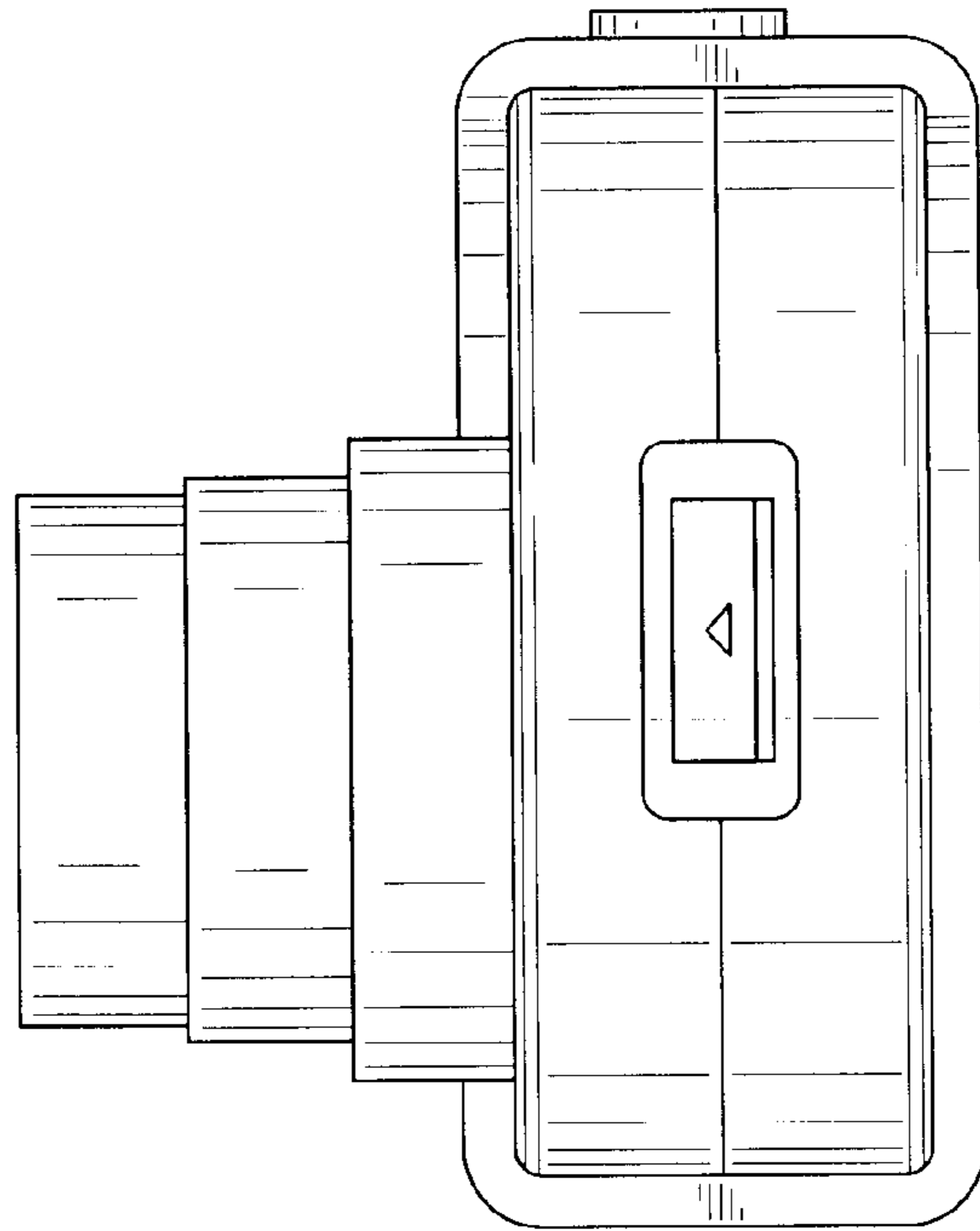


FIG. 9

