

US00D521038S

(12) **United States Design Patent**  
**Takagi**

(10) **Patent No.:** **US D521,038 S**

(45) **Date of Patent:** **\*\* May 16, 2006**

(54) **CAMERA**

D508,512 S \* 8/2005 Suzuki ..... D16/219  
D508,711 S \* 8/2005 Suzuki ..... D16/218

(75) Inventor: **Noriaki Takagi**, Tokyo (JP)

\* cited by examiner

(73) Assignee: **Sony Corporation**, Tokyo (JP)

*Primary Examiner*—Adir Aronovich

(\*\*) Term: **14 Years**

(74) *Attorney, Agent, or Firm*—Rader, Fishman & Grauer  
PLLC

(21) Appl. No.: **29/215,778**

(57) **CLAIM**

(22) Filed: **Oct. 26, 2004**

The ornamental design for a camera, as shown and described.

(51) **LOC (8) Cl.** ..... **16-01**

(52) **U.S. Cl.** ..... **D16/200; D16/202**

(58) **Field of Classification Search** ..... D16/200–205,  
D16/208, 209, 218, 219; 348/373–376; 358/909.1;  
396/535–541

See application file for complete search history.

**DESCRIPTION**

(56) **References Cited**

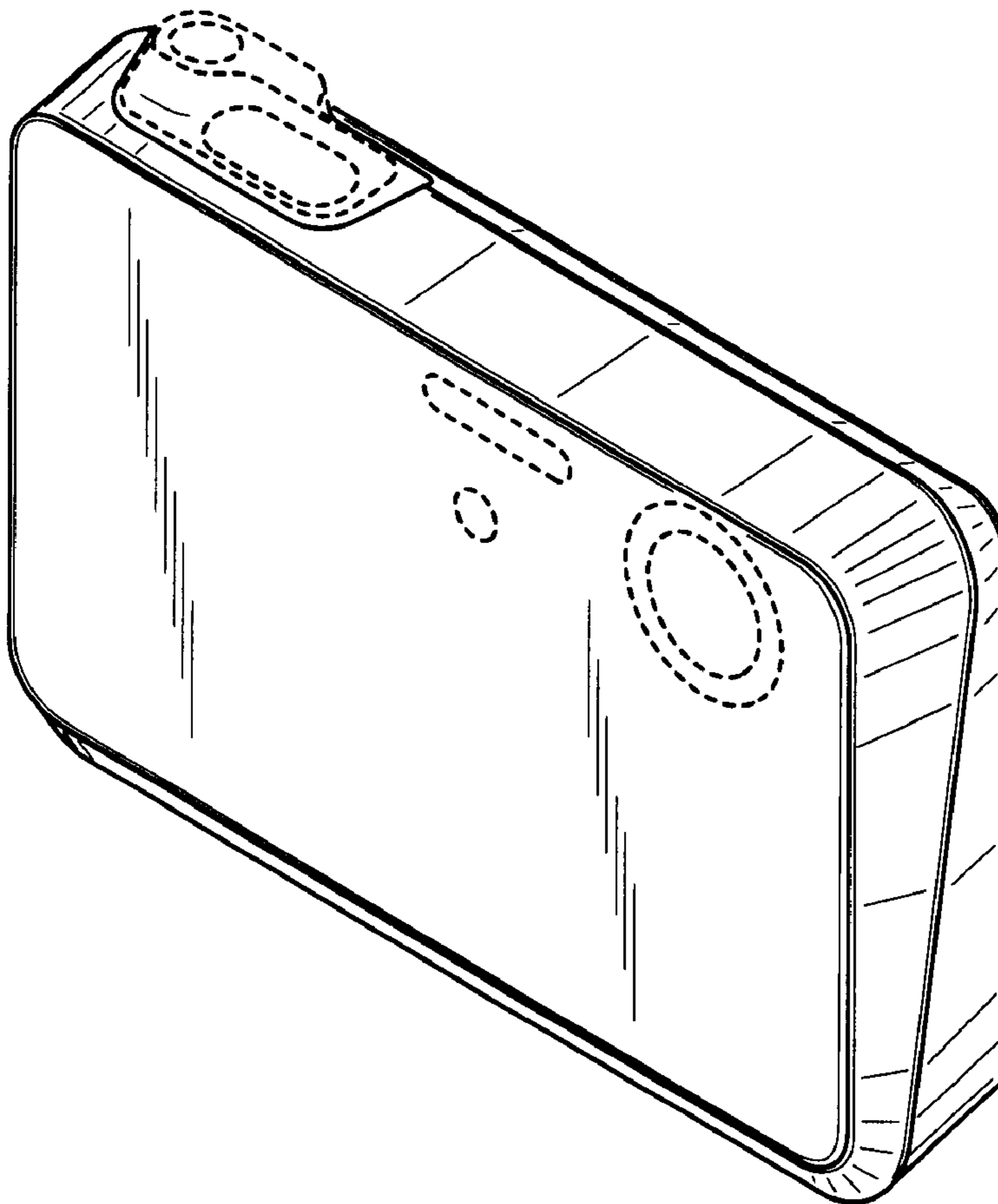
**U.S. PATENT DOCUMENTS**

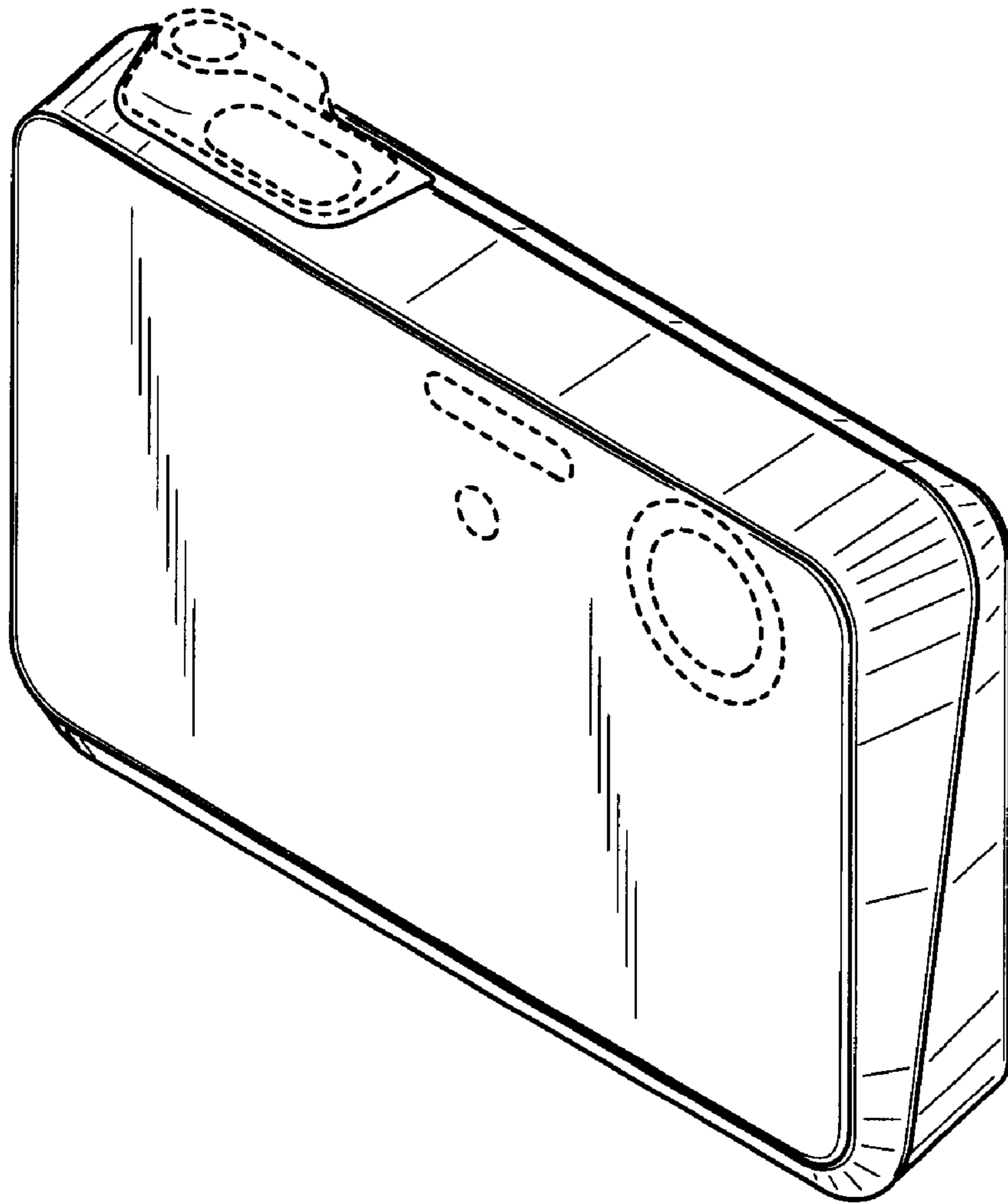
D387,078 S	*	12/1997	Akita	.....	D16/202
D416,270 S		11/1999	Harata	.....	D16/202
6,434,337 B1	*	8/2002	Misawa	.....	358/909.1
D494,201 S	*	8/2004	Chen	.....	D16/202
D496,678 S		9/2004	Kawase	.....	D16/218
D500,774 S	*	1/2005	Yuan	.....	D16/202
D501,014 S	*	1/2005	Hayashi	.....	D16/202

FIG. 1 is a perspective view of a camera showing my new design;  
FIG. 2 is a front elevational view thereof;  
FIG. 3 is a rear elevational view thereof;  
FIG. 4 is a left side elevational view thereof;  
FIG. 5 is a right side elevational view thereof;  
FIG. 6 is a top plan view thereof; and,  
FIG. 7 is a bottom plan view thereof.

Portions of the figures that are shown as broken lines are for illustrative purpose only and form no part of the claimed design.

**1 Claim, 4 Drawing Sheets**





**FIG. 1**

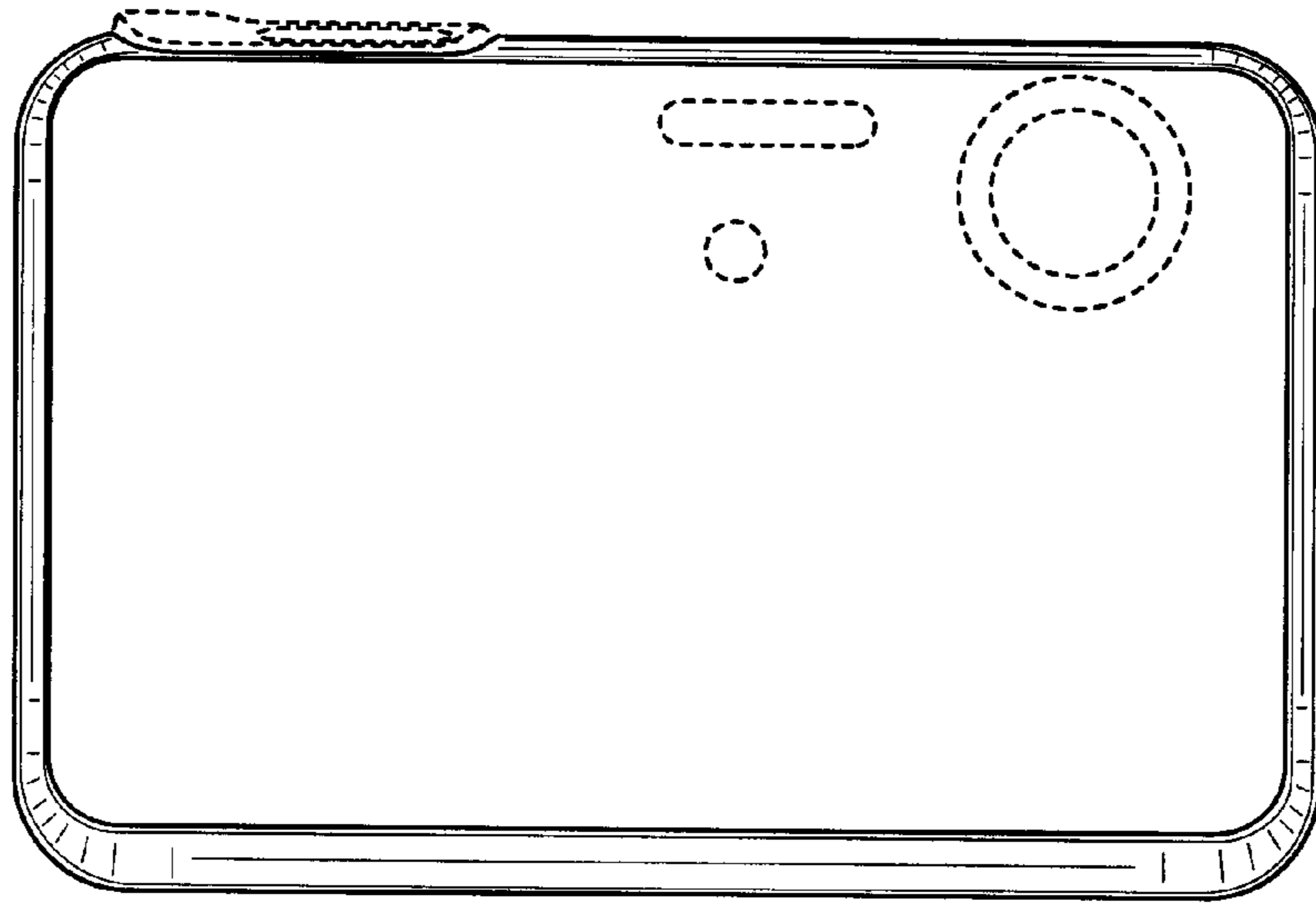


FIG. 2

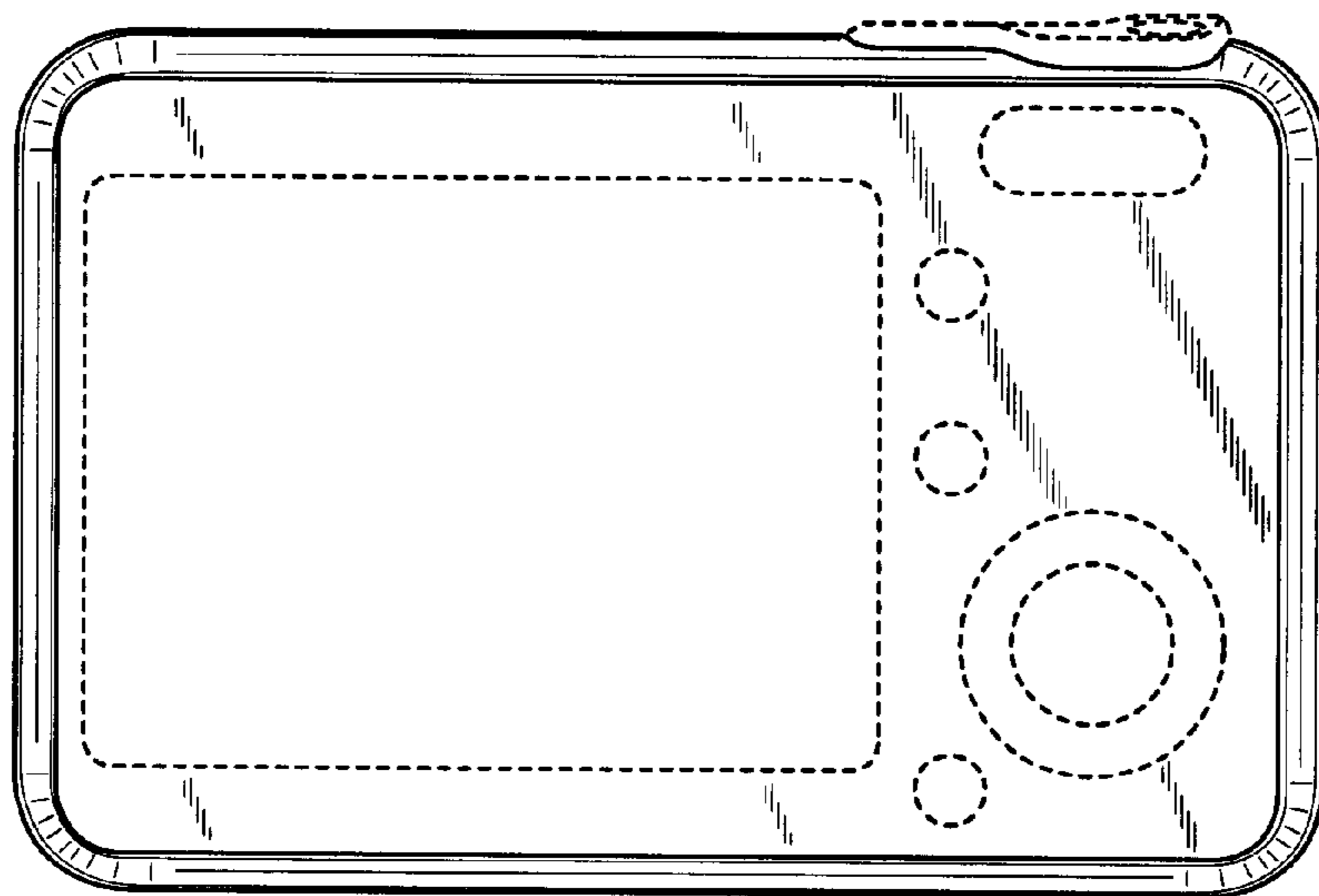
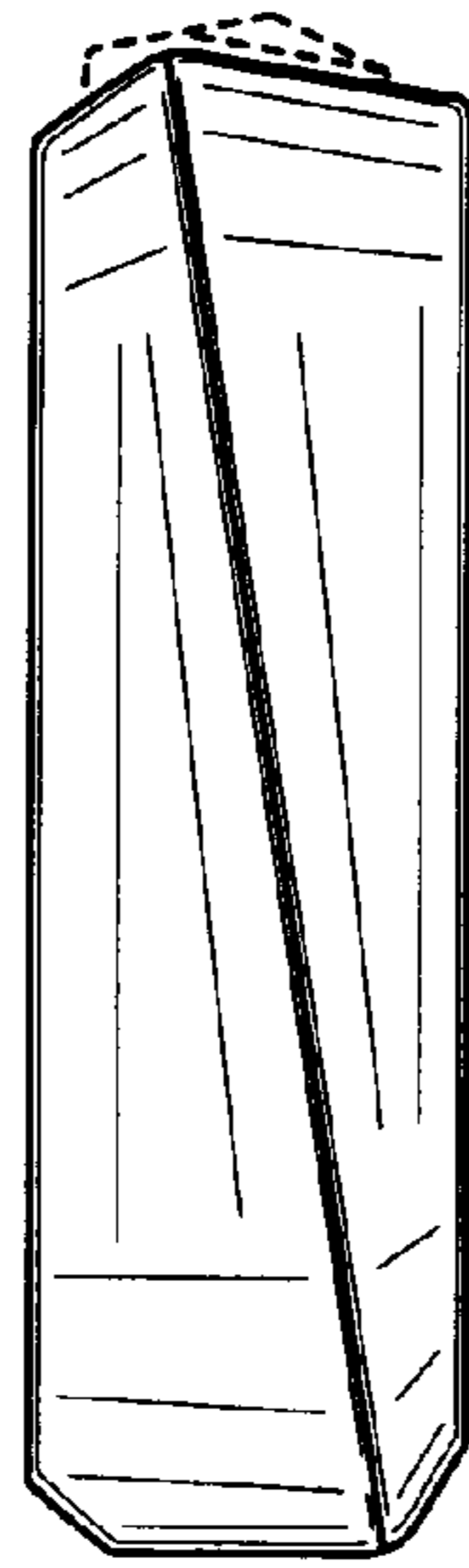
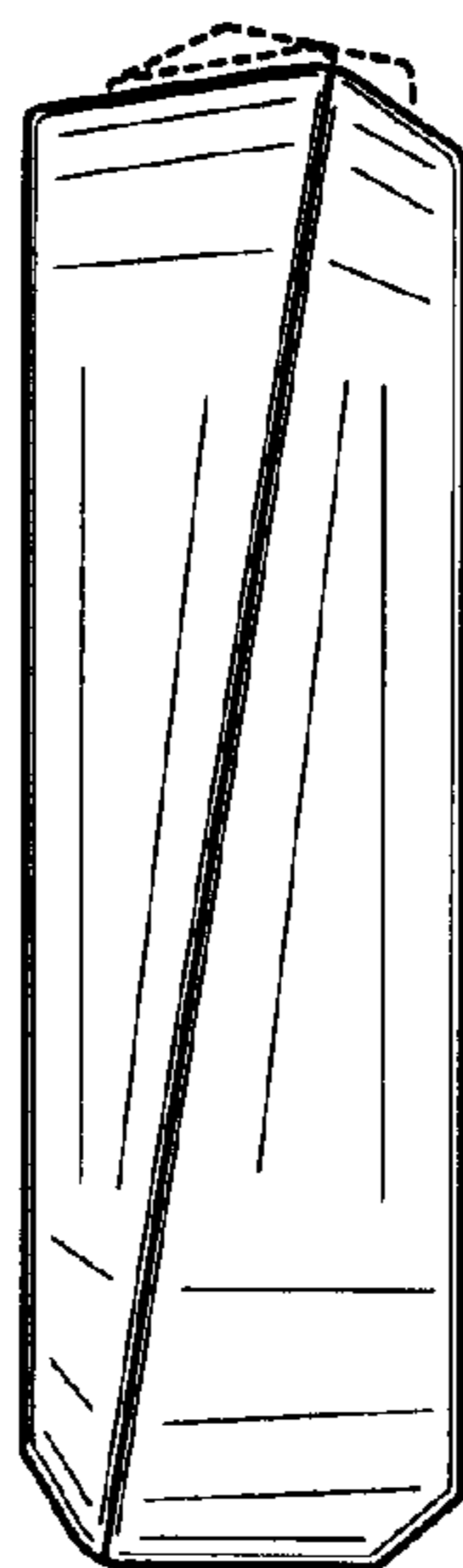


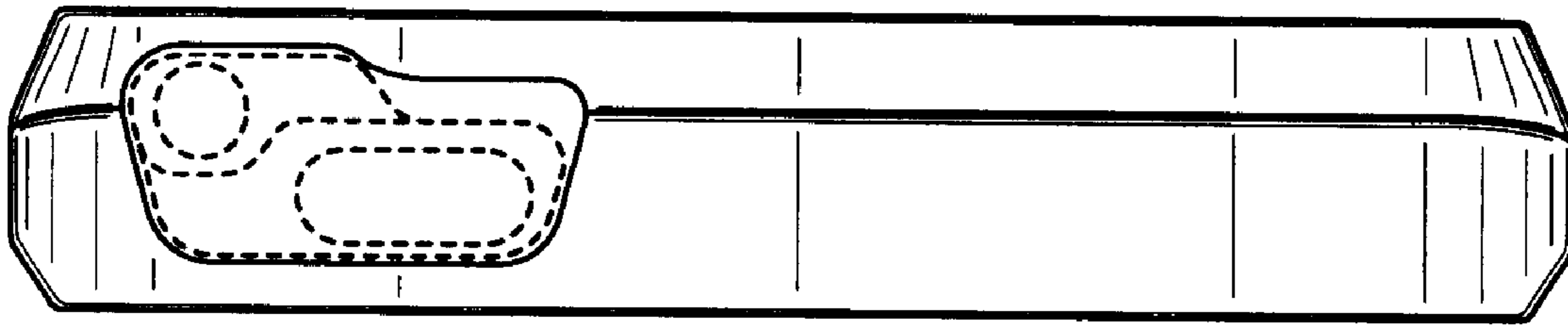
FIG. 3



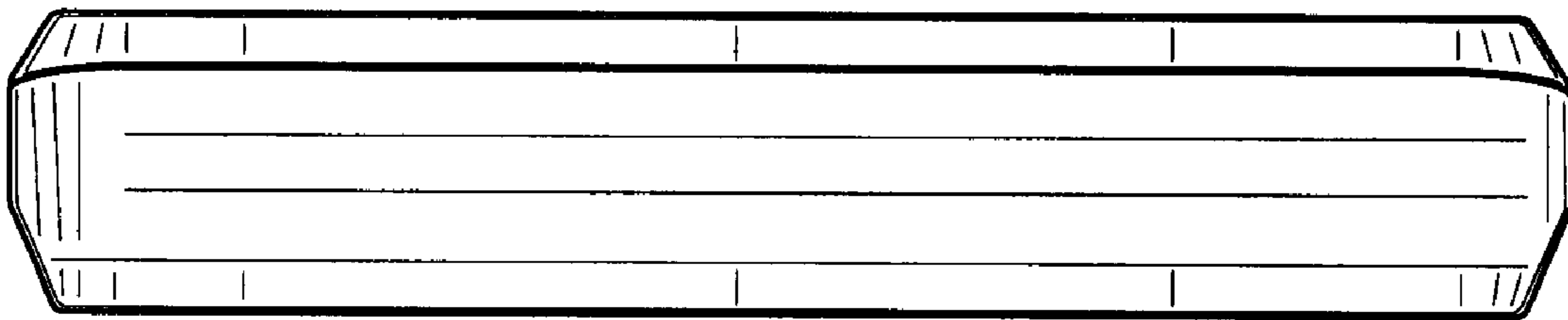
*FIG. 4*



*FIG. 5*



*FIG. 6*



*FIG. 7*