



US00D521035S

(12) **United States Design Patent**
de Leeuw et al.

(10) **Patent No.:** **US D521,035 S**

(45) **Date of Patent:** **** May 16, 2006**

(54) **ADHESIVE DISPENSER**

(75) Inventors: **Victor de Leeuw**, Hilvarenbeek (NL);
Wendelinus Cornelis van der Heijden,
Drunen (NL)

(73) Assignee: **Nordson Corporation**, Westlake, OH
(US)

(**) Term: **14 Years**

(21) Appl. No.: **29/214,959**

(22) Filed: **Oct. 12, 2004**

(30) **Foreign Application Priority Data**

Apr. 14, 2004 (EP) 1658321

(51) **LOC (8) Cl.** **15-09**

(52) **U.S. Cl.** **D15/144**

(58) **Field of Classification Search** D15/144,
D15/199; 222/52, 54-55, 146.5, 325, 389;
239/296, 135

See application file for complete search history.

(56) **References Cited**

U.S. PATENT DOCUMENTS

D281,168 S * 10/1985 Scholl et al. D15/144

D281,250 S * 11/1985 Johnson et al. D15/144

4,969,601 A * 11/1990 Wright 239/135
5,169,071 A * 12/1992 Boger et al. 239/296
D360,422 S * 7/1995 Frates et al. D15/144
5,881,914 A * 3/1999 Tsuda et al. 222/54
6,318,599 B1 * 11/2001 Estelle et al. 222/146.5
D456,427 S * 4/2002 Gressett et al. D15/144
6,676,038 B1 * 1/2004 Gressett et al. 239/296

* cited by examiner

Primary Examiner—Holly H. Baynham

(74) *Attorney, Agent, or Firm*—Wood, Herron & Evans,
L.L.P.

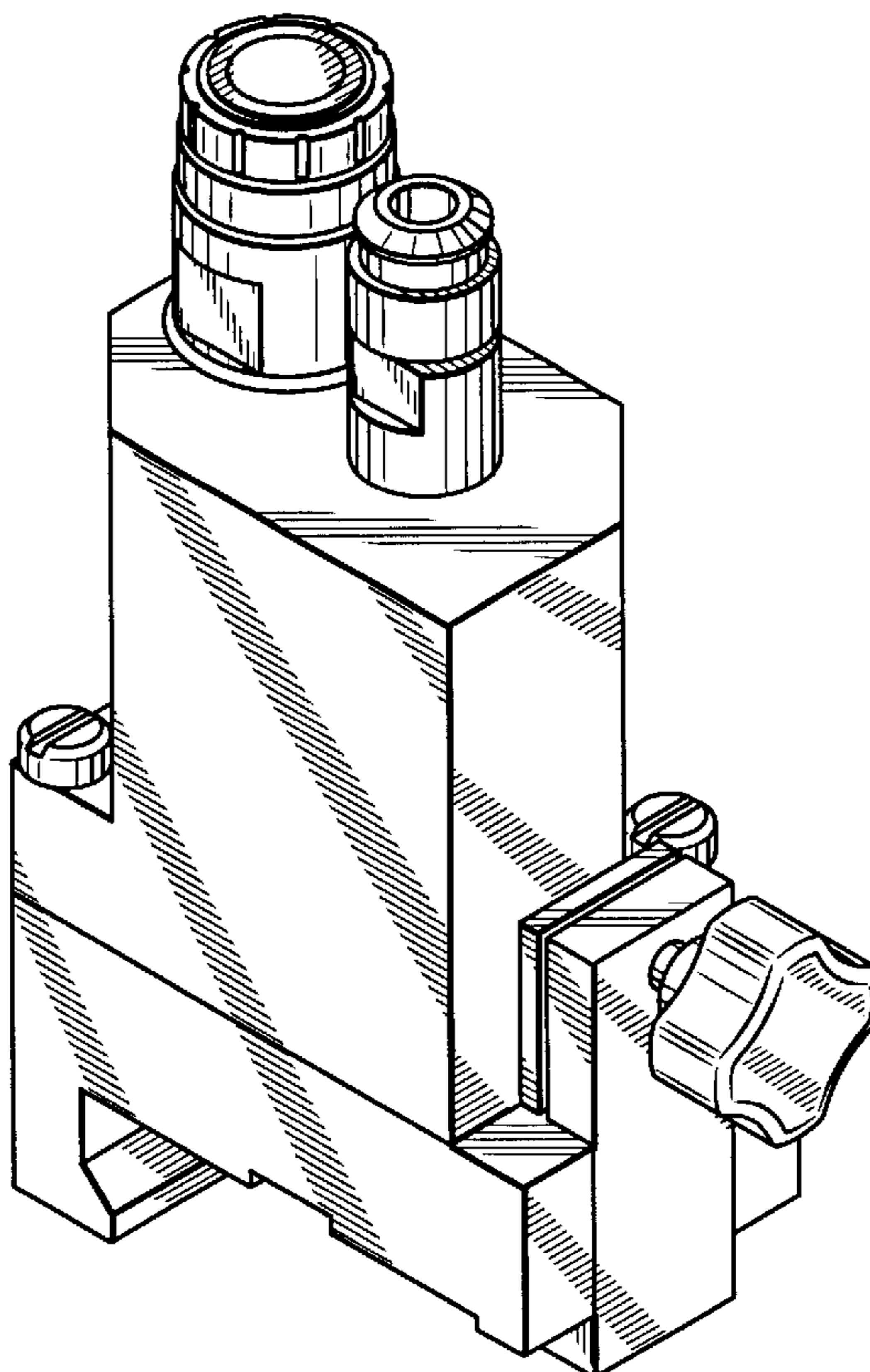
(57) **CLAIM**

The ornamental design for an adhesive dispenser, as shown
and described.

DESCRIPTION

FIG. 1 is a front perspective view of the adhesive dispenser.
FIG. 2 is a rear perspective view thereof.
FIG. 3 is a rear elevational view thereof.
FIG. 4 is a left side view thereof.
FIG. 5 is a front elevational view thereof.
FIG. 6 is a right side view thereof.
FIG. 7 is a top plan view thereof; and,
FIG. 8 is a bottom plan view thereof.

1 Claim, 2 Drawing Sheets



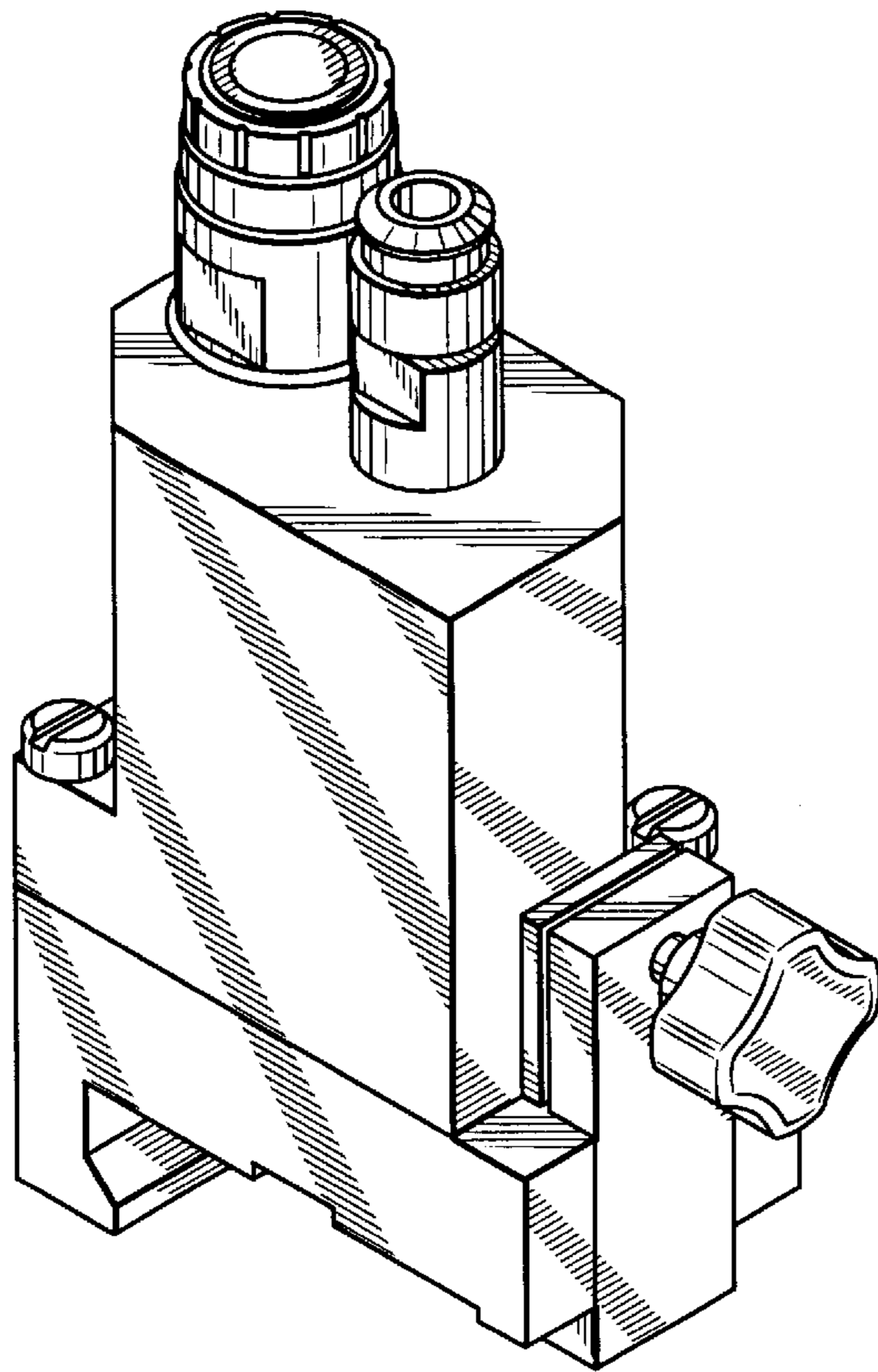


FIG. 1

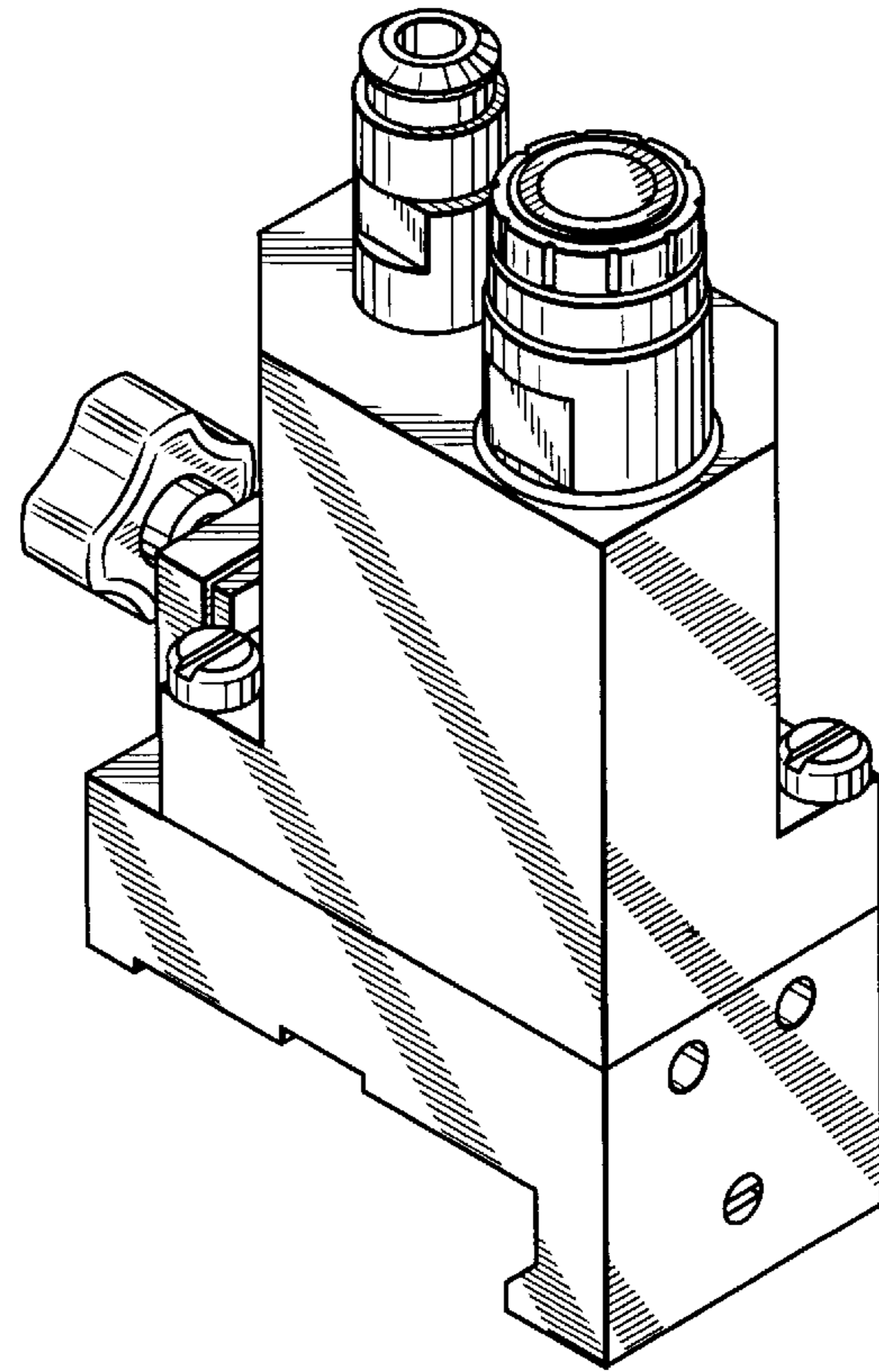


FIG. 2

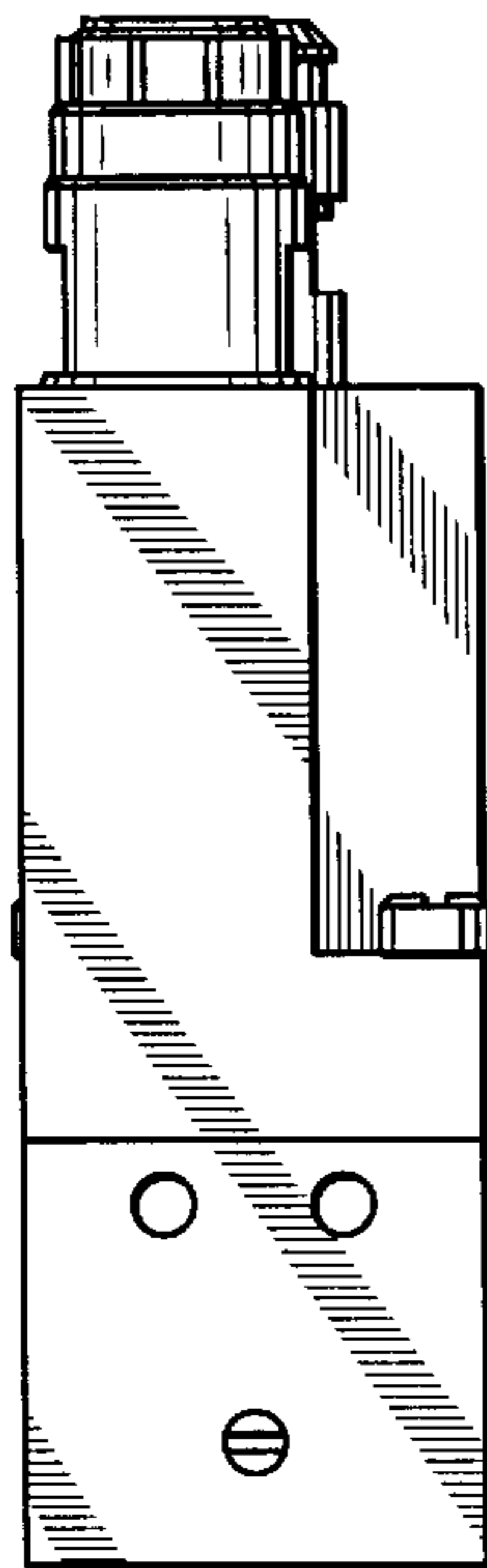


FIG. 3

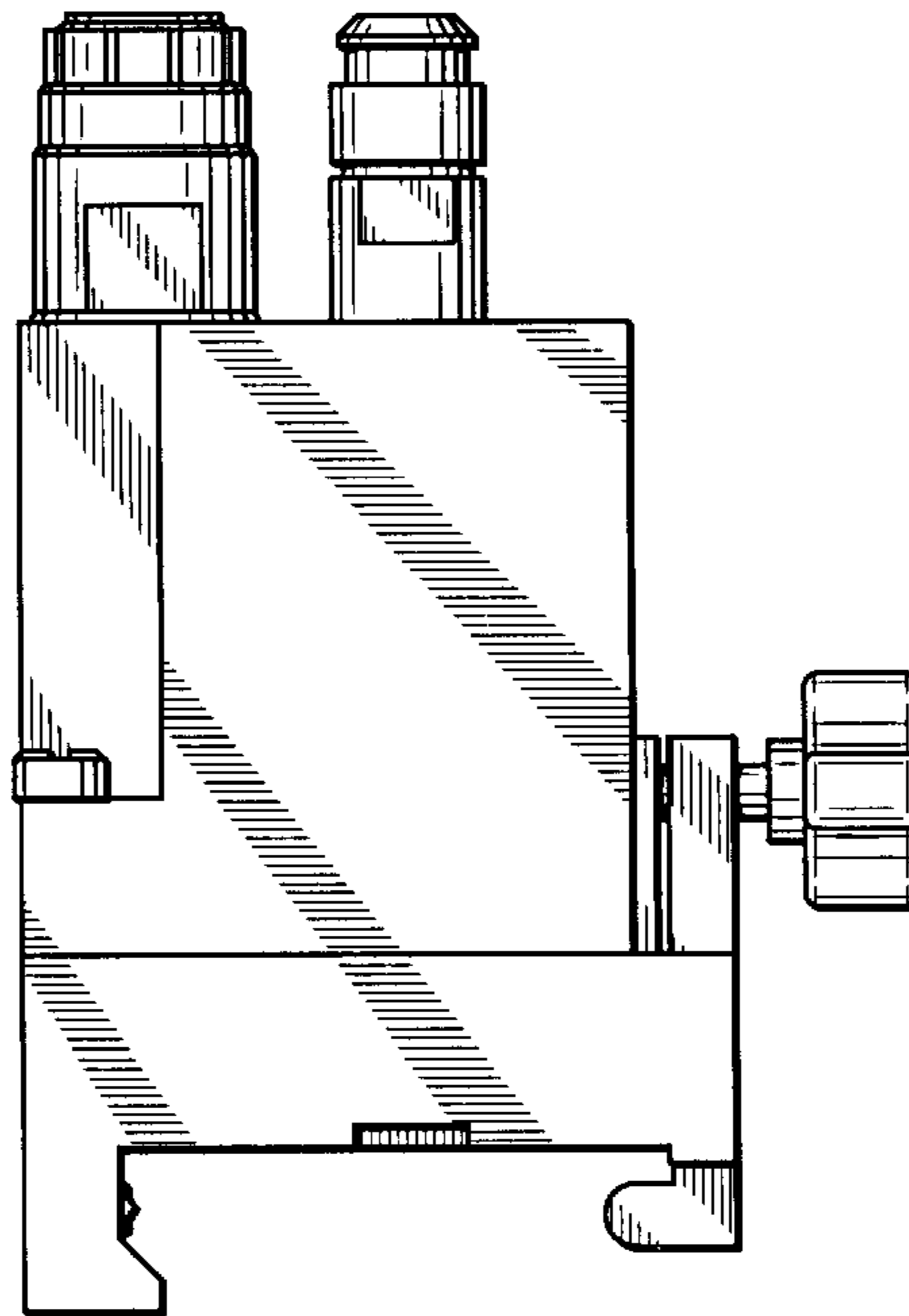


FIG. 4

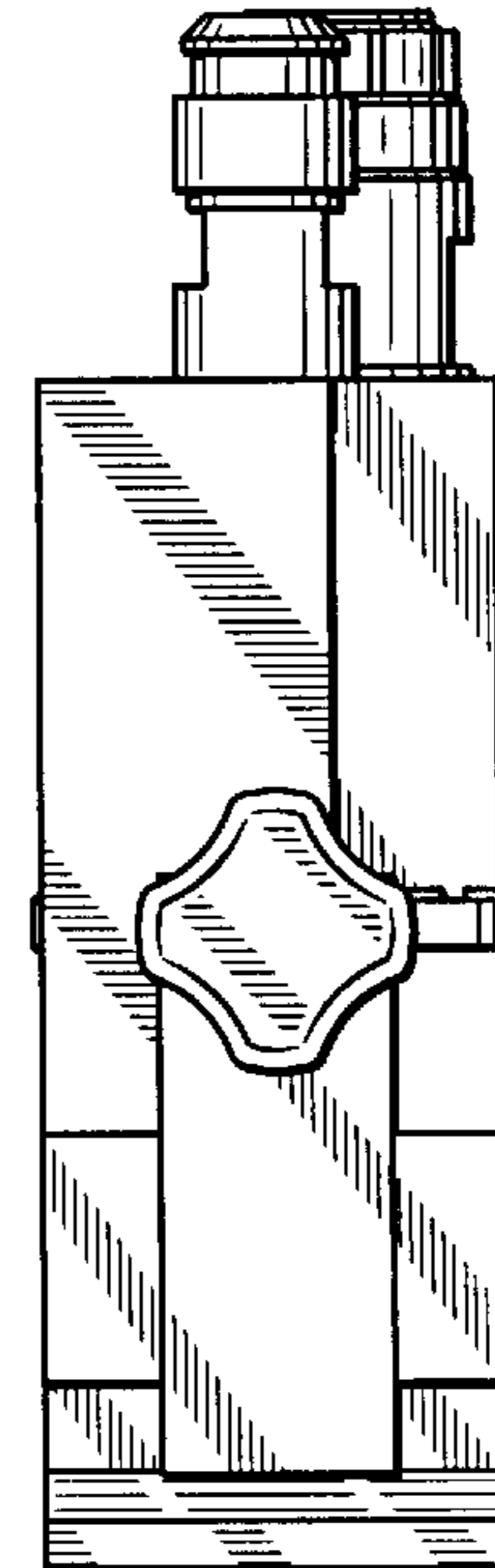


FIG. 5

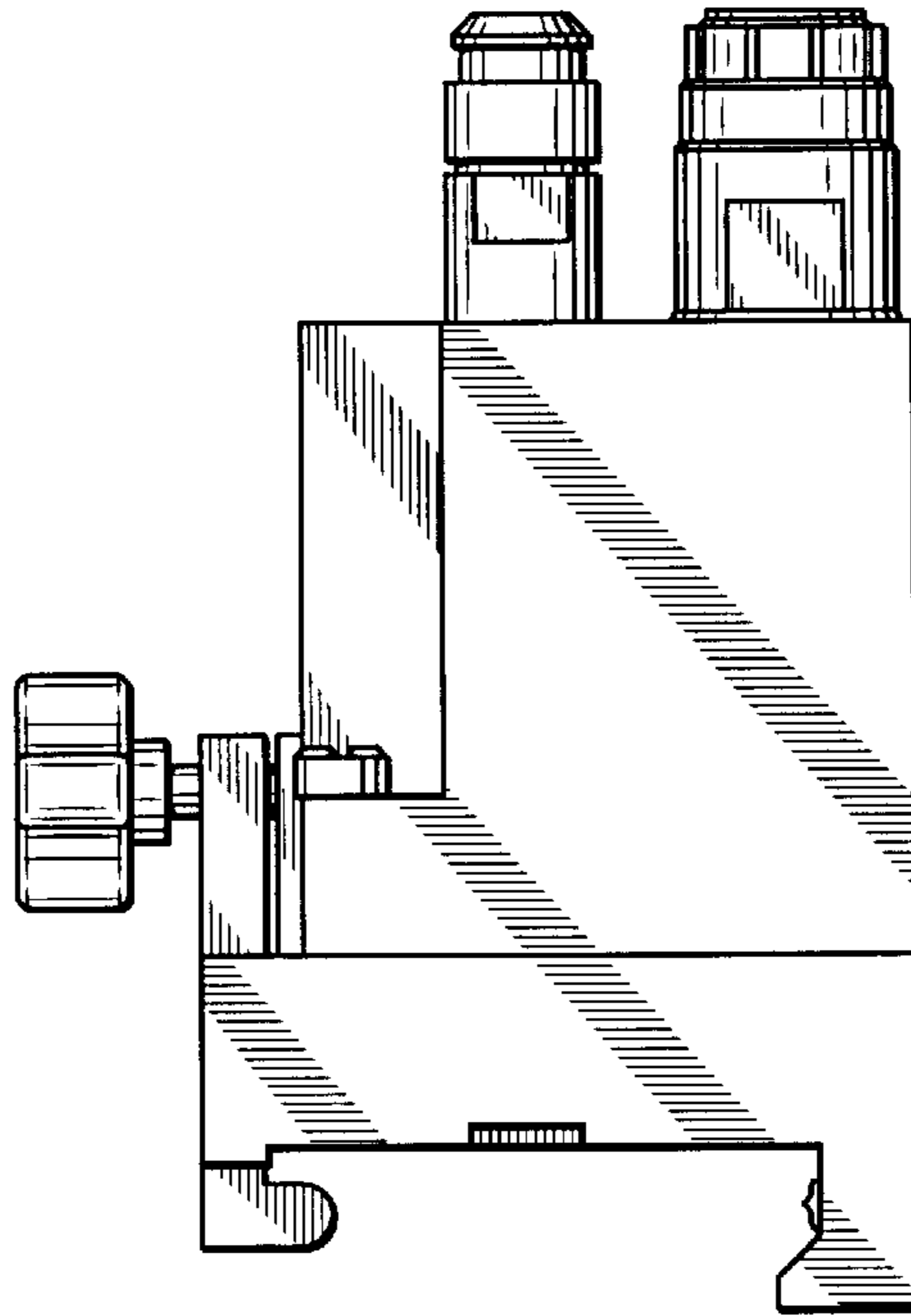


FIG. 6

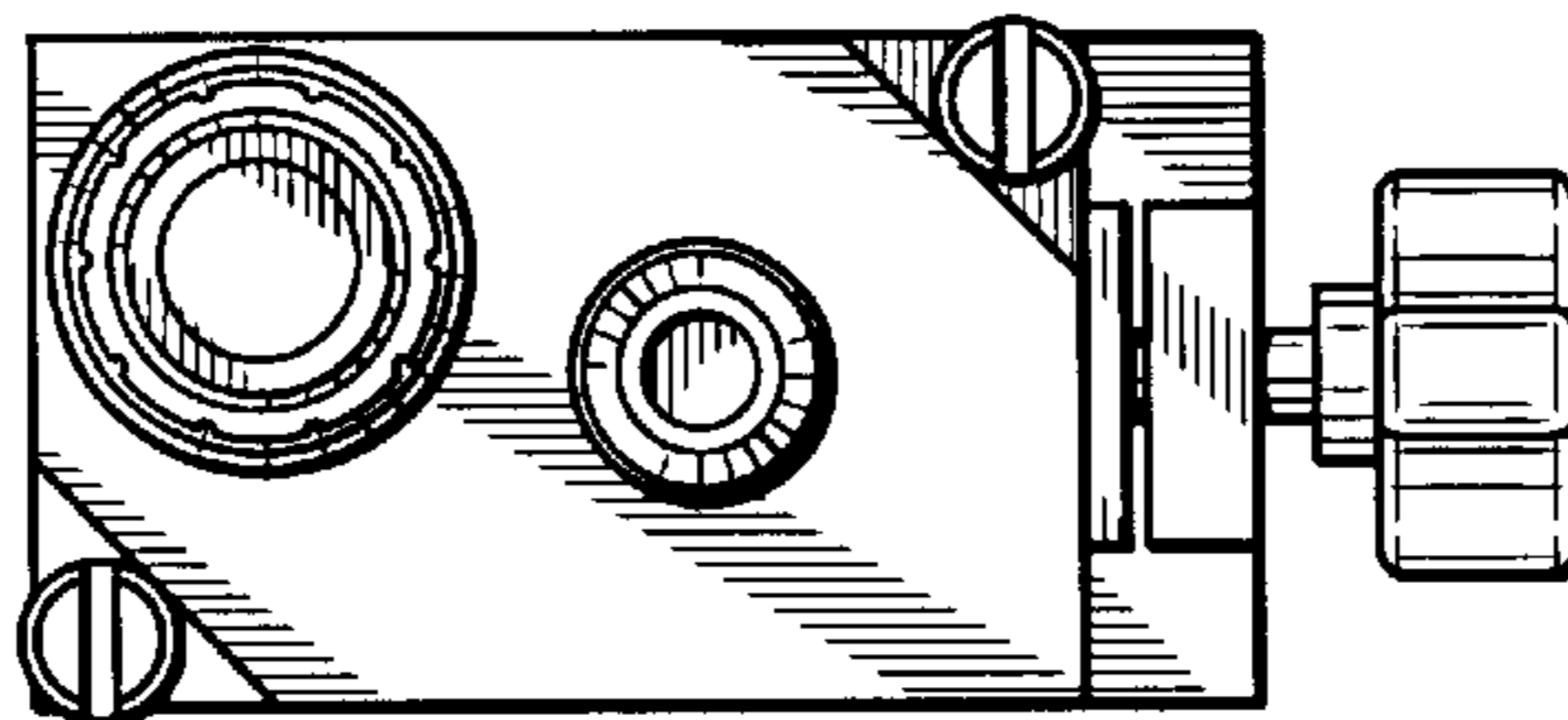


FIG. 7

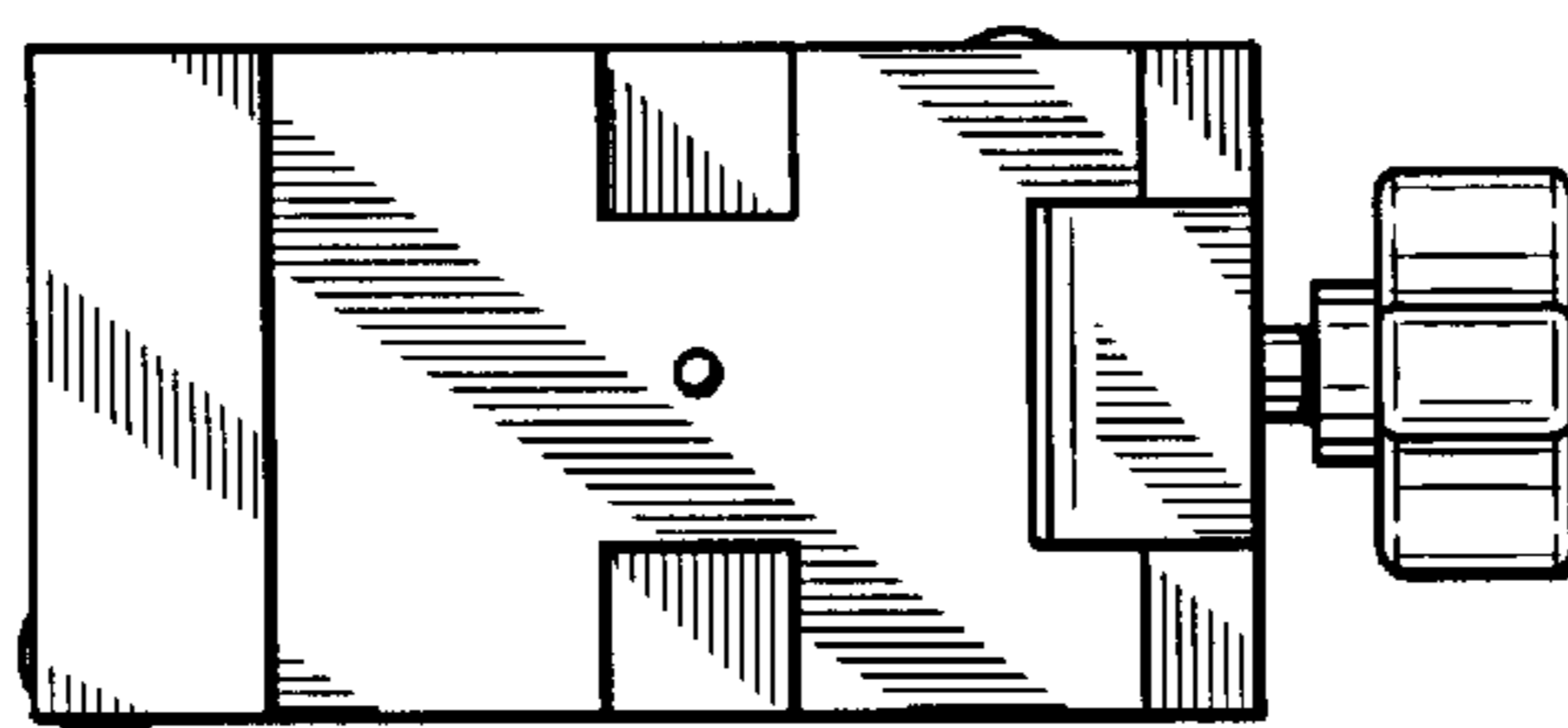


FIG. 8