



US00D521032S

(12) **United States Design Patent**  
**Sakamoto et al.**

(10) **Patent No.:** **US D521,032 S**

(45) **Date of Patent:** **\*\* May 16, 2006**

(54) **SPRUE BUSH FOR A DISC-MOLDING DIE**

6,839,608 B1 \* 1/2005 Sarabi et al. .... 700/201

(75) Inventors: **Yasuyoshi Sakamoto**, Kamagaya (JP);  
**Katsuyuki Hiki**, Narashino (JP)

\* cited by examiner

(73) Assignee: **Seikoh Giken Co., Ltd.**, Chiba (JP)

*Primary Examiner*—Antoine D. Davis

*Assistant Examiner*—Patricia Palasik

(\*\*) Term: **14 Years**

(74) *Attorney, Agent, or Firm*—Olson & Hierl, Ltd.

(21) Appl. No.: **29/217,438**

(57) **CLAIM**

(22) Filed: **Nov. 17, 2004**

An ornamental design for a sprue bush for a disc-molding die, as shown and described.

(51) **LOC (8) Cl.** ..... **15-09**

**DESCRIPTION**

(52) **U.S. Cl.** ..... **D15/135**

(58) **Field of Classification Search** ..... D15/135–137;  
425/226, 547, 574; 264/328.11, 39

See application file for complete search history.

FIG. 1 is a perspective view of a sprue bush for a disc-molding die;

FIG. 2 is a front view thereof;

FIG. 3 is a rear view thereof;

FIG. 4 is a left side view thereof;

FIG. 5 is a right side view thereof;

FIG. 6 is a top plan view thereof; and,

FIG. 7 is a bottom view thereof.

The broken lines shown in the bottom view are for illustrative purpose only and form no part of the claimed design.

(56) **References Cited**

**U.S. PATENT DOCUMENTS**

- 2,960,482 A \* 11/1960 Henning ..... 521/79
- 3,810,728 A \* 5/1974 Jacobs ..... 425/547
- 6,015,281 A \* 1/2000 Chikazawa et al. .... 425/226
- 6,832,857 B1 \* 12/2004 Okuma et al. .... 385/60
- 6,837,549 B1 \* 1/2005 Ito et al. .... 301/64.101

**1 Claim, 3 Drawing Sheets**

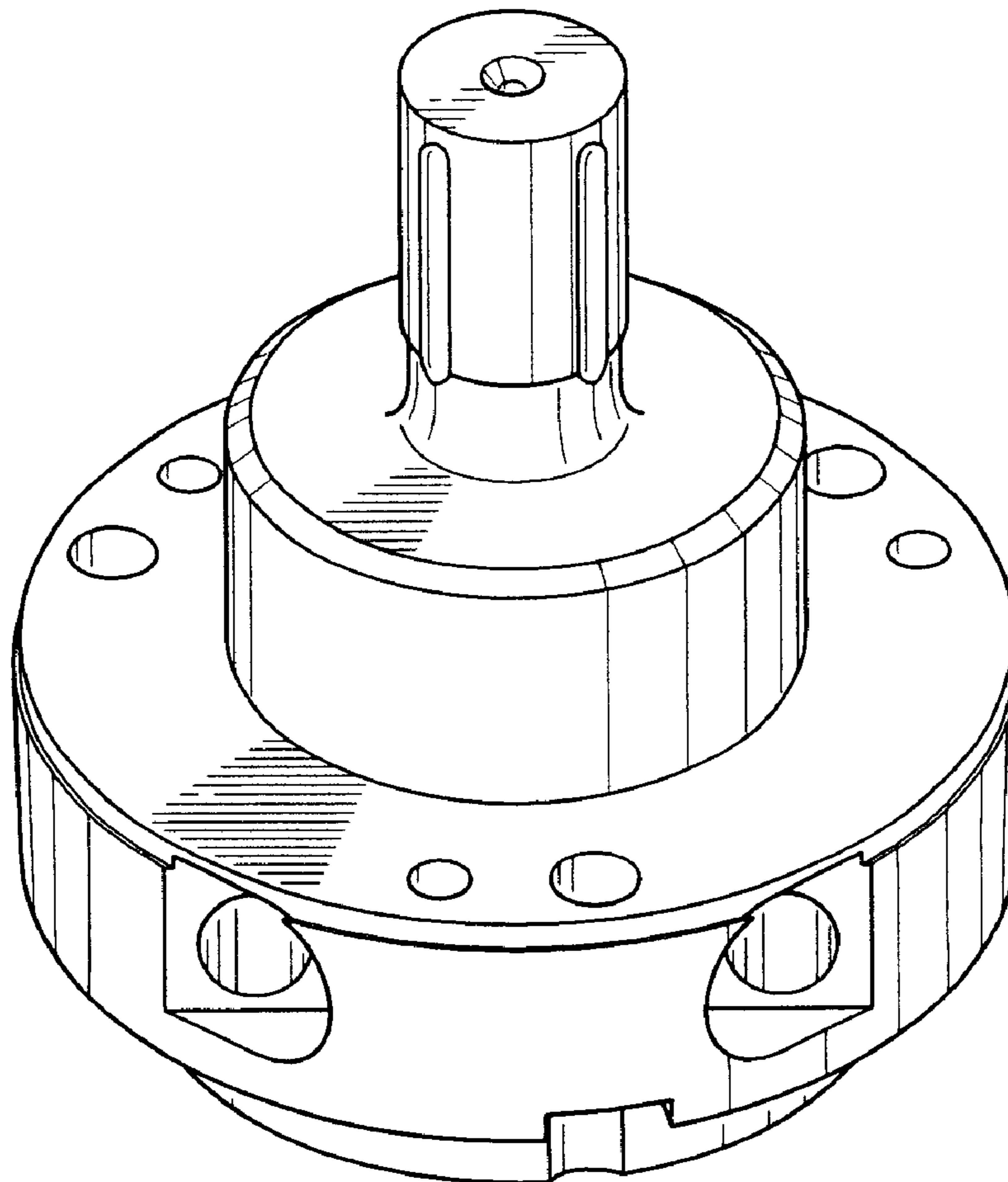


FIG. 1

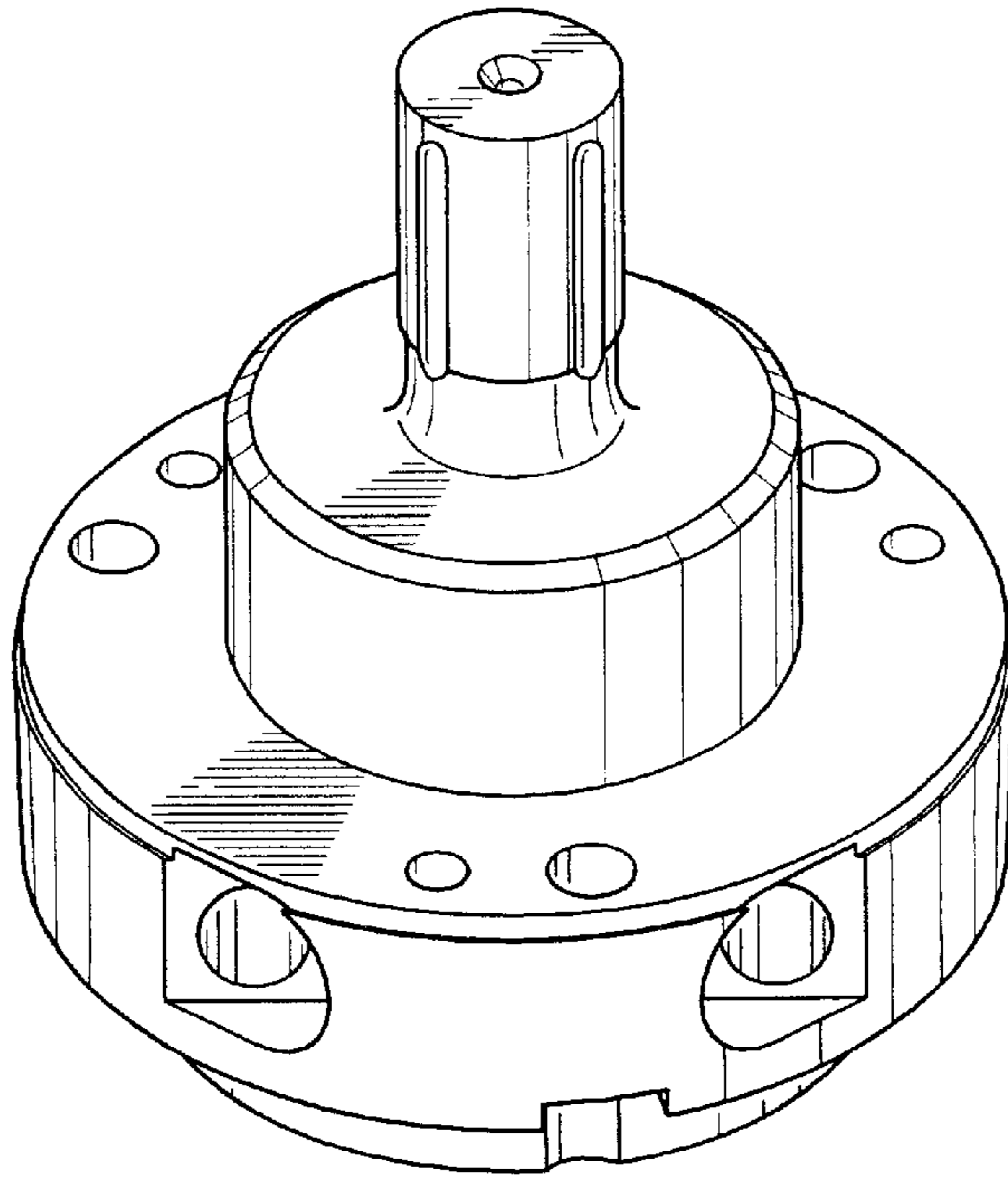


FIG. 2

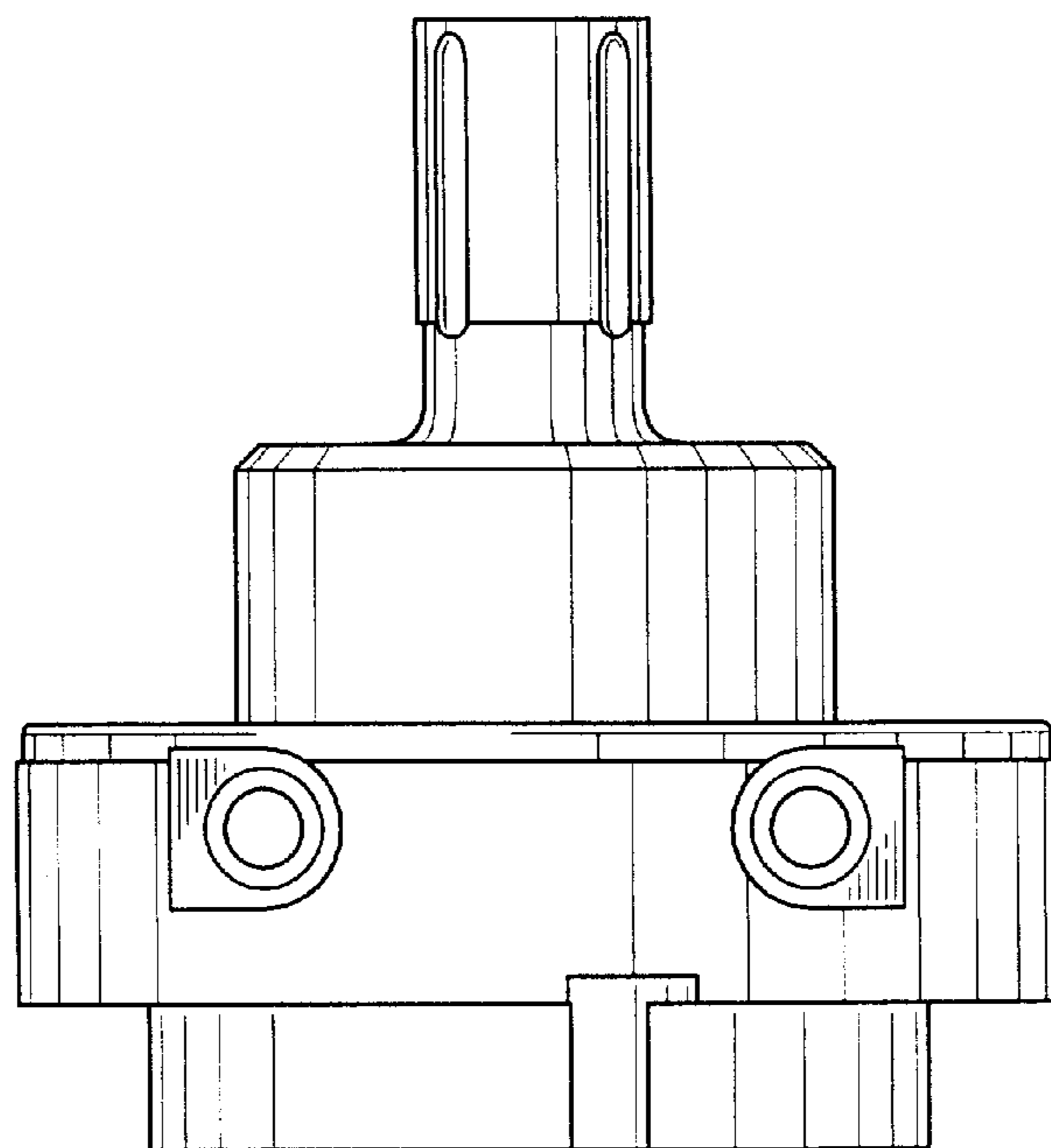


FIG.3

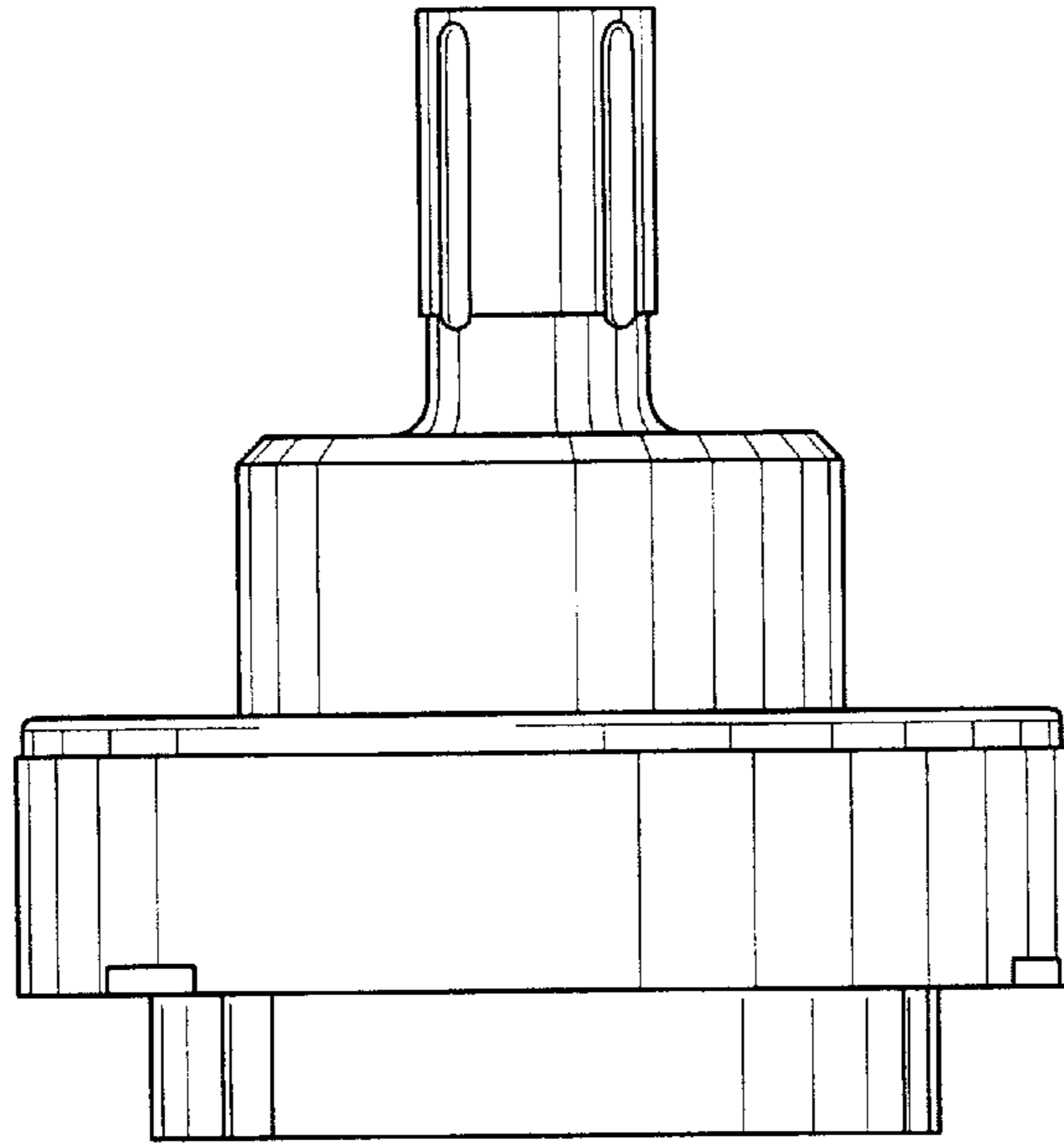


FIG.4

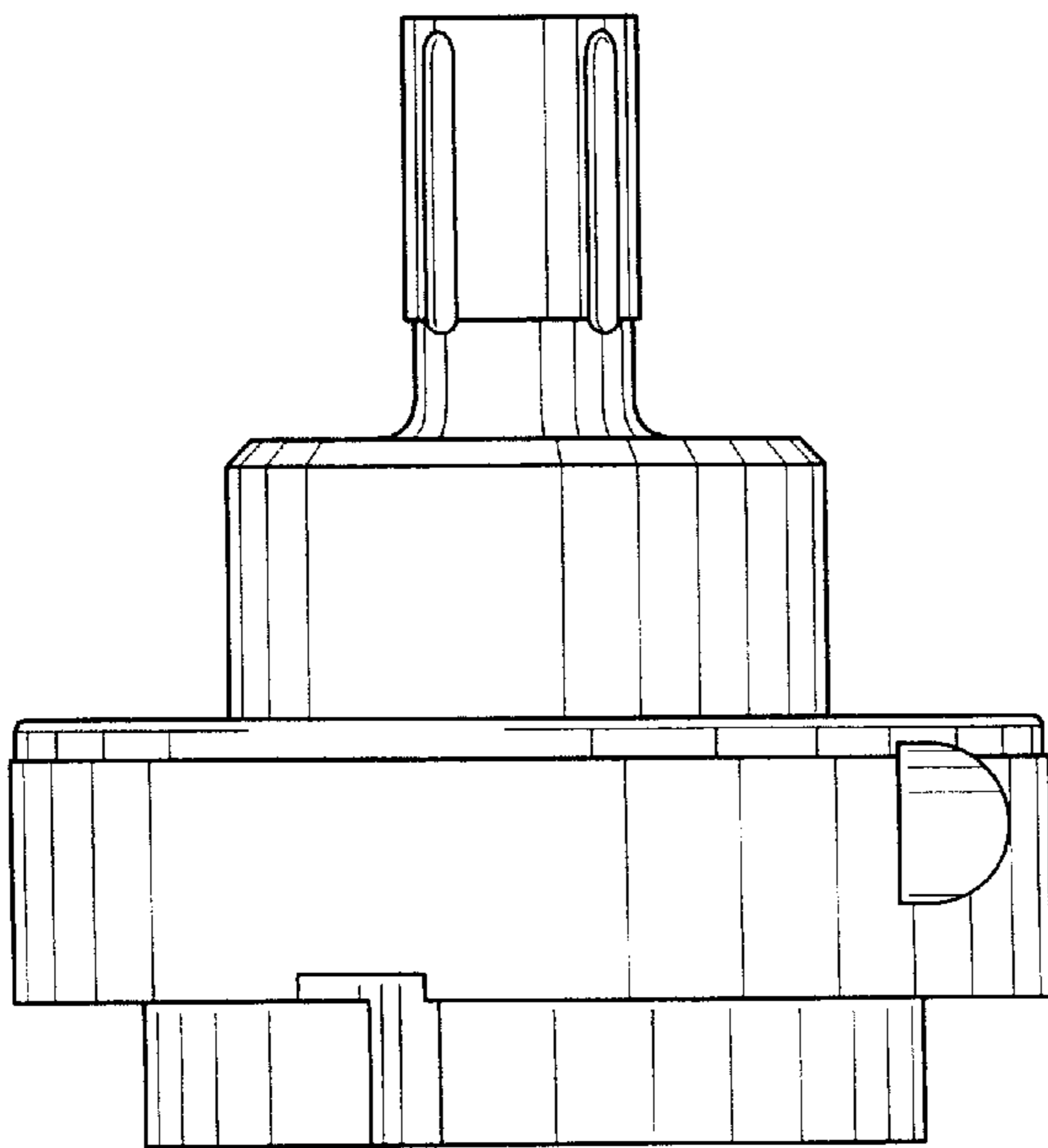


FIG.5

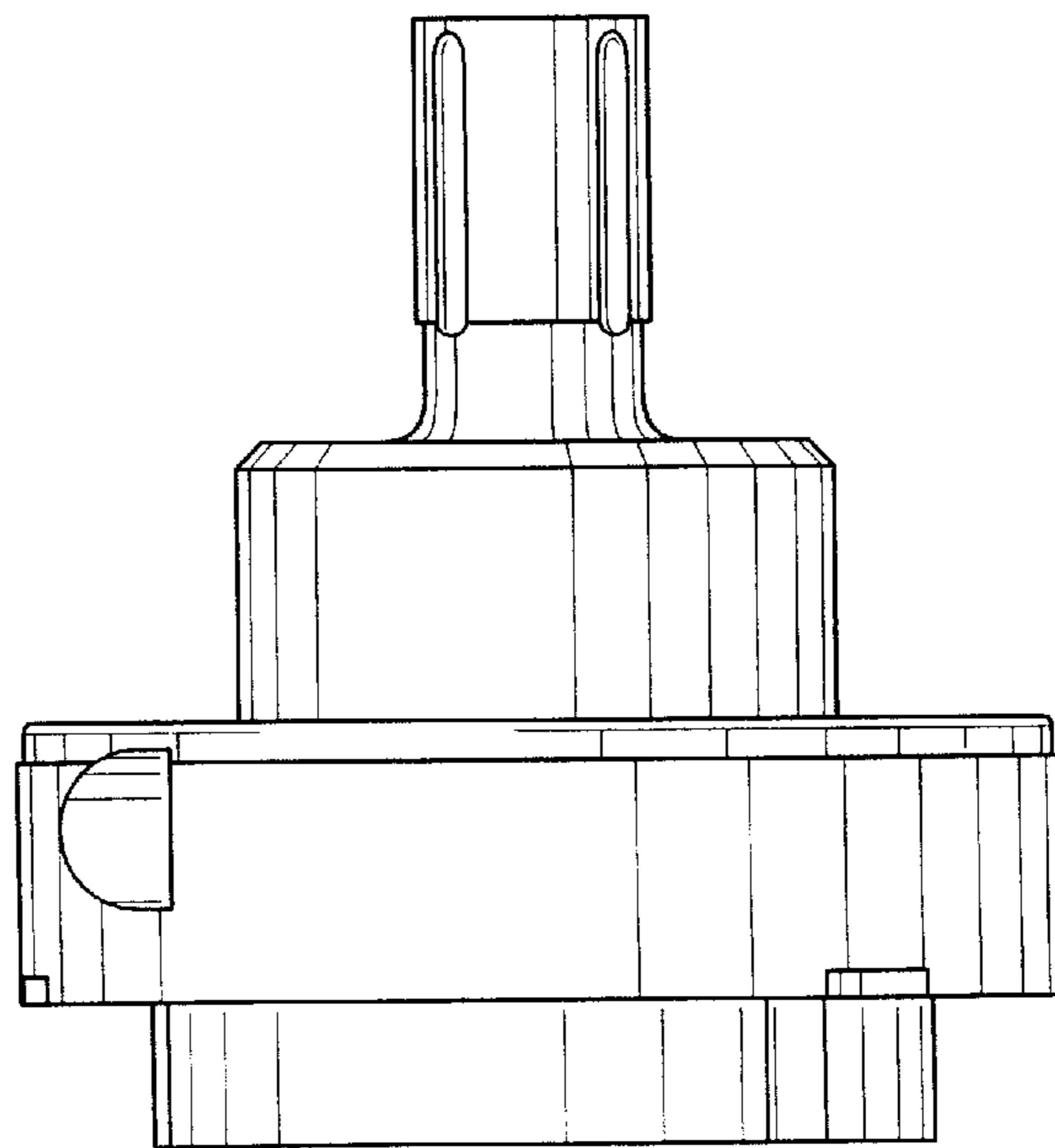


FIG.6

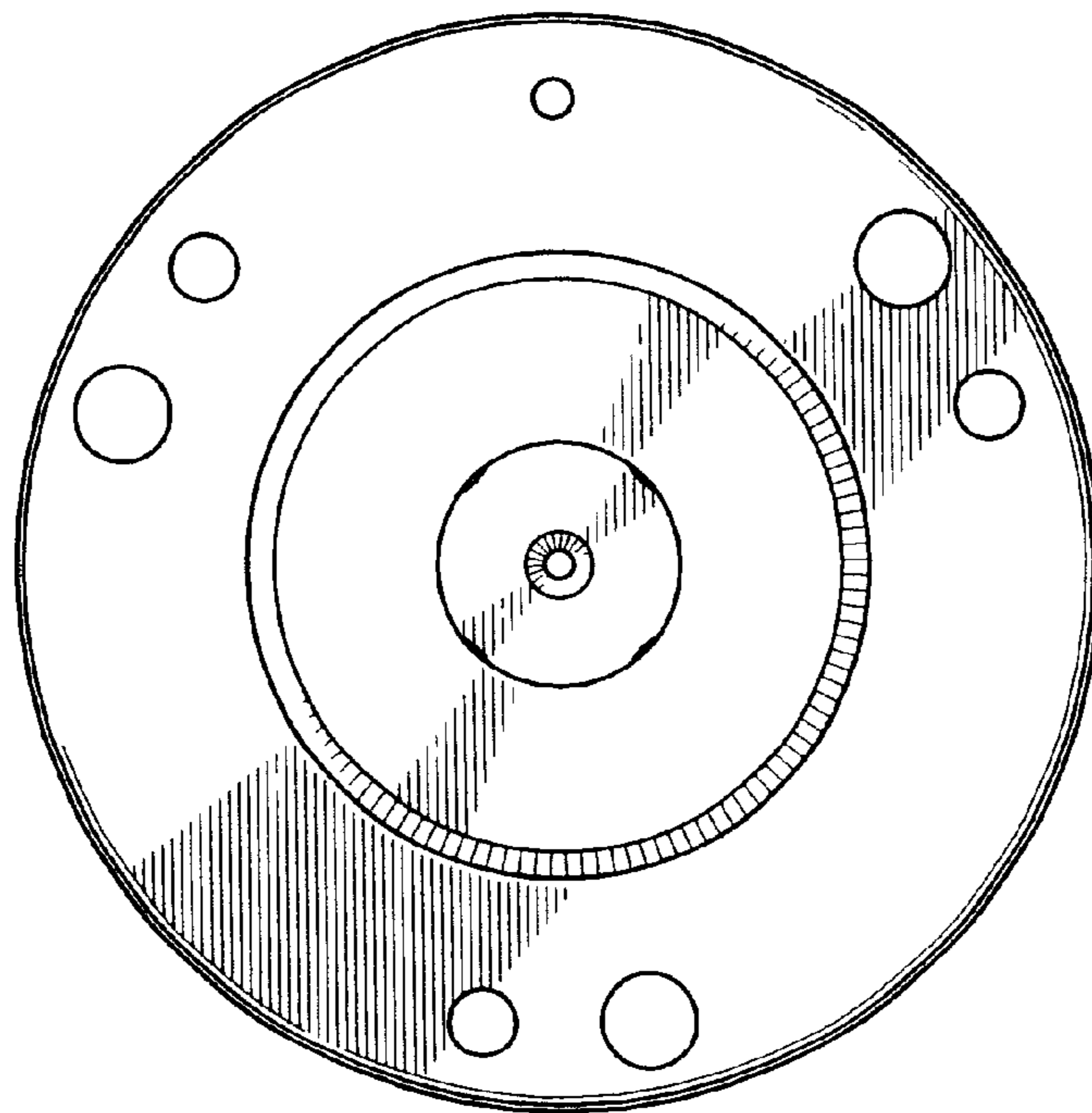


FIG.7

