



US00D521031S

(12) **United States Design Patent** (10) **Patent No.:** **US D521,031 S**
Thyssel et al. (45) **Date of Patent:** **** May 16, 2006**

(54) **GRINDING TOOL**

(75) Inventors: **Håkan Thyssel**, Söderköping (SE);
Sten Jeansson, Linghem (SE)

(73) Assignee: **HTC Sweden AB** (SE)

(**) Term: **14 Years**

(21) Appl. No.: **29/222,404**

(22) Filed: **Jan. 28, 2005**

(51) **LOC (8) Cl.** **15-09**

(52) **U.S. Cl.** **D15/126**

(58) **Field of Classification Search** D15/126;
D8/138-139; 83/589, 663, 676; 404/118,
404/129; 144/24.1, 218, 219, 235, 241; 409/33,
409/37, 49; 451/540-558

See application file for complete search history.

(56) **References Cited**

U.S. PATENT DOCUMENTS

D486,839 S	2/2004	Sunagawa et al.	
D494,196 S	8/2004	Jeong	
D498,486 S	11/2004	Eisenblaetter	
D506,481 S	* 6/2005	Olsen et al. D15/126
D507,801 S	* 7/2005	Olsen et al. D15/126
D508,927 S	* 8/2005	Olsen et al. D15/126

* cited by examiner

Primary Examiner—Antoine D. Davis

Assistant Examiner—Patricia Palasik

(74) *Attorney, Agent, or Firm*—Moore & Van Allen PLLC;
Michael G. Johnston

(57) **CLAIM**

The ornamental design for a grinding tool, as shown and described.

DESCRIPTION

FIG. 1 is a top plan view of a grinding tool showing our new design.

FIG. 2 is a front elevation view of the grinding tool shown in FIG. 1 showing our new design.

FIG. 3 is a left side elevation view of the grinding tool shown in FIG. 1 showing our new design.

FIG. 4 is a right side elevation view of the grinding tool shown in FIG. 1 showing our new design.

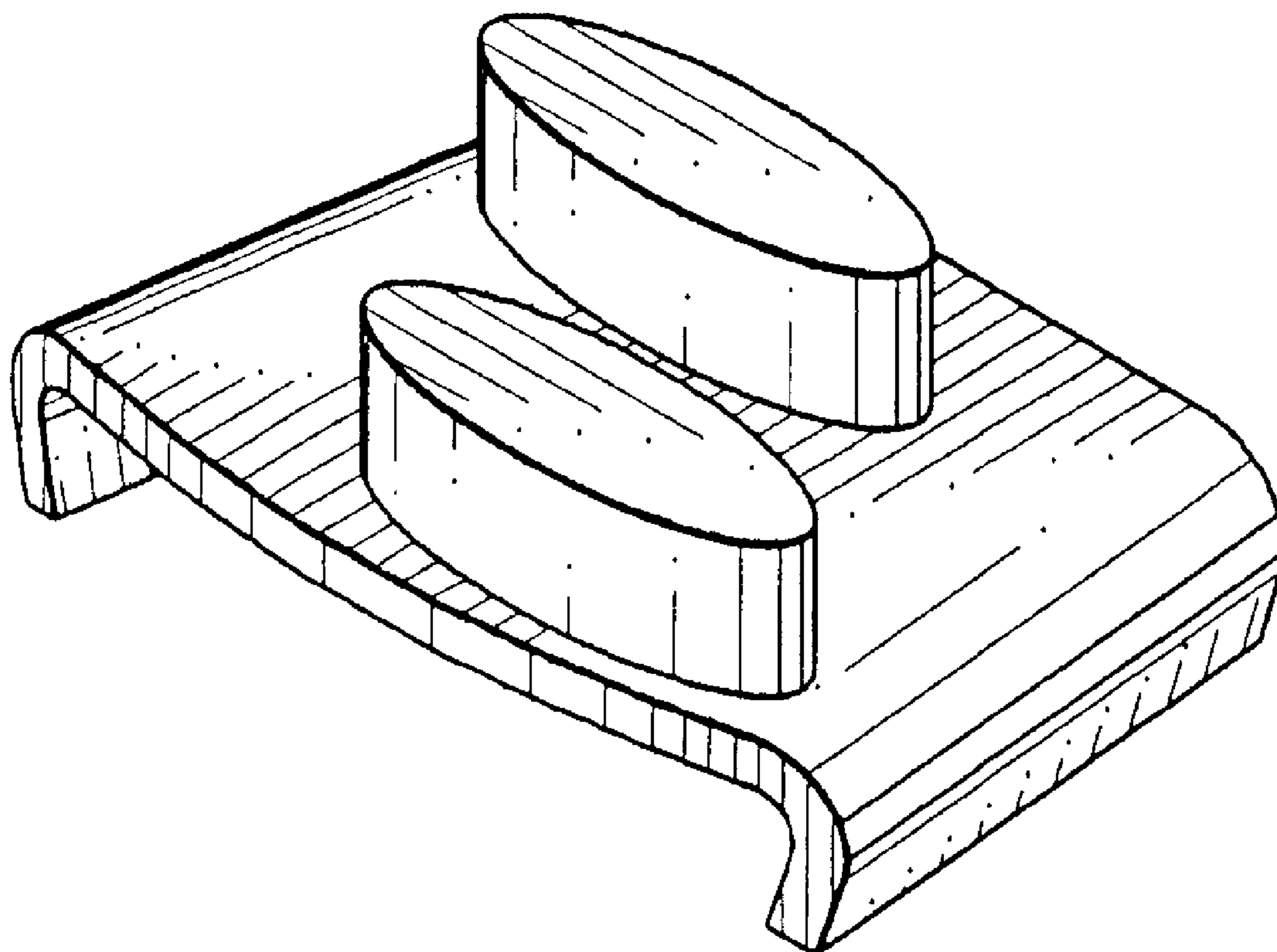
FIG. 5 is a bottom plan view of the grinding tool shown in FIG. 1 showing our new design.

FIG. 6 is a rear elevation view of the grinding tool shown in FIG. 1 showing our new design.

FIG. 7 is a top perspective view of the grinding tool shown in FIG. 1 showing our new design; and,

FIG. 8 is a bottom perspective view of the grinding tool shown in FIG. 1 showing our new design.

1 Claim, 2 Drawing Sheets



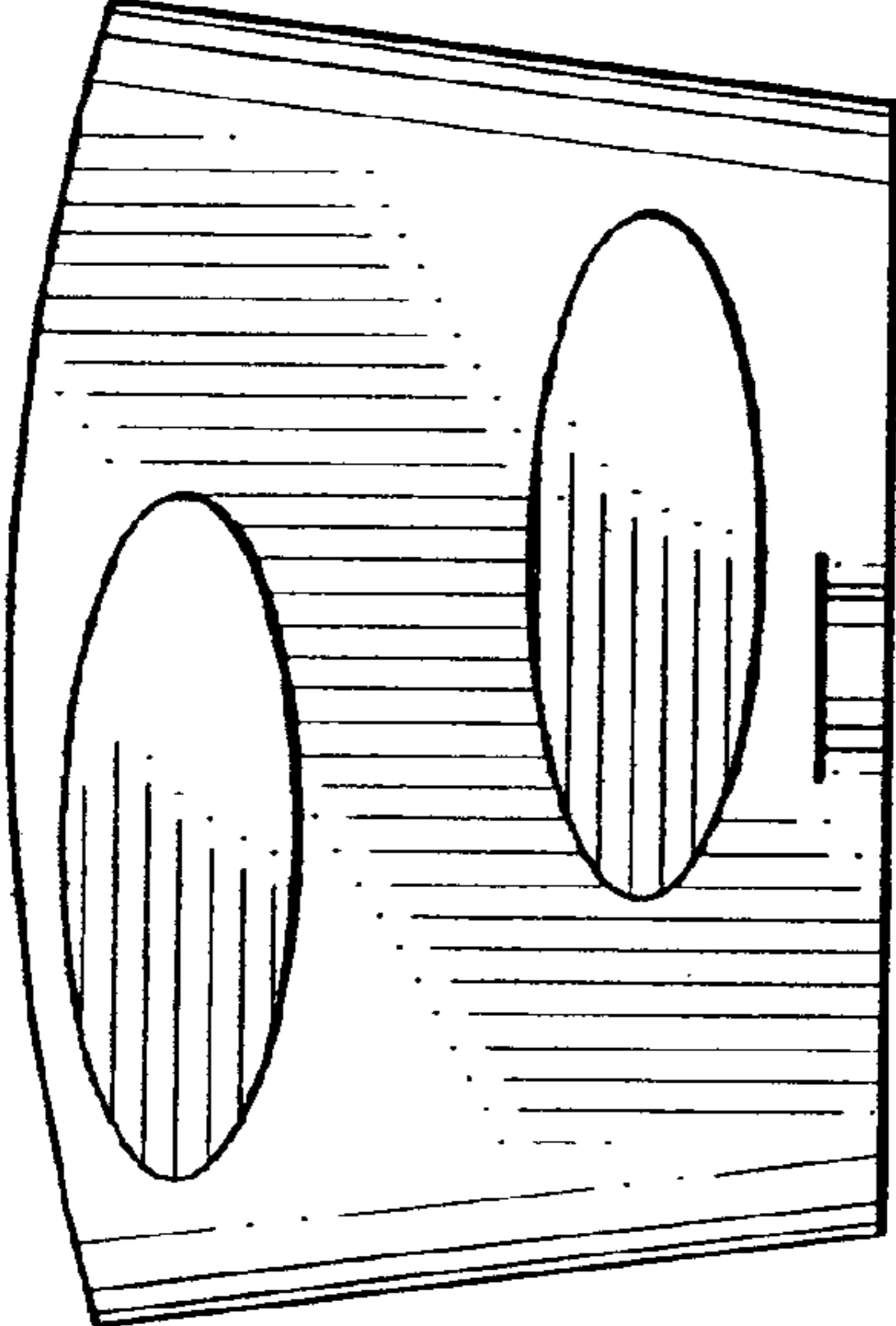


FIG. 1

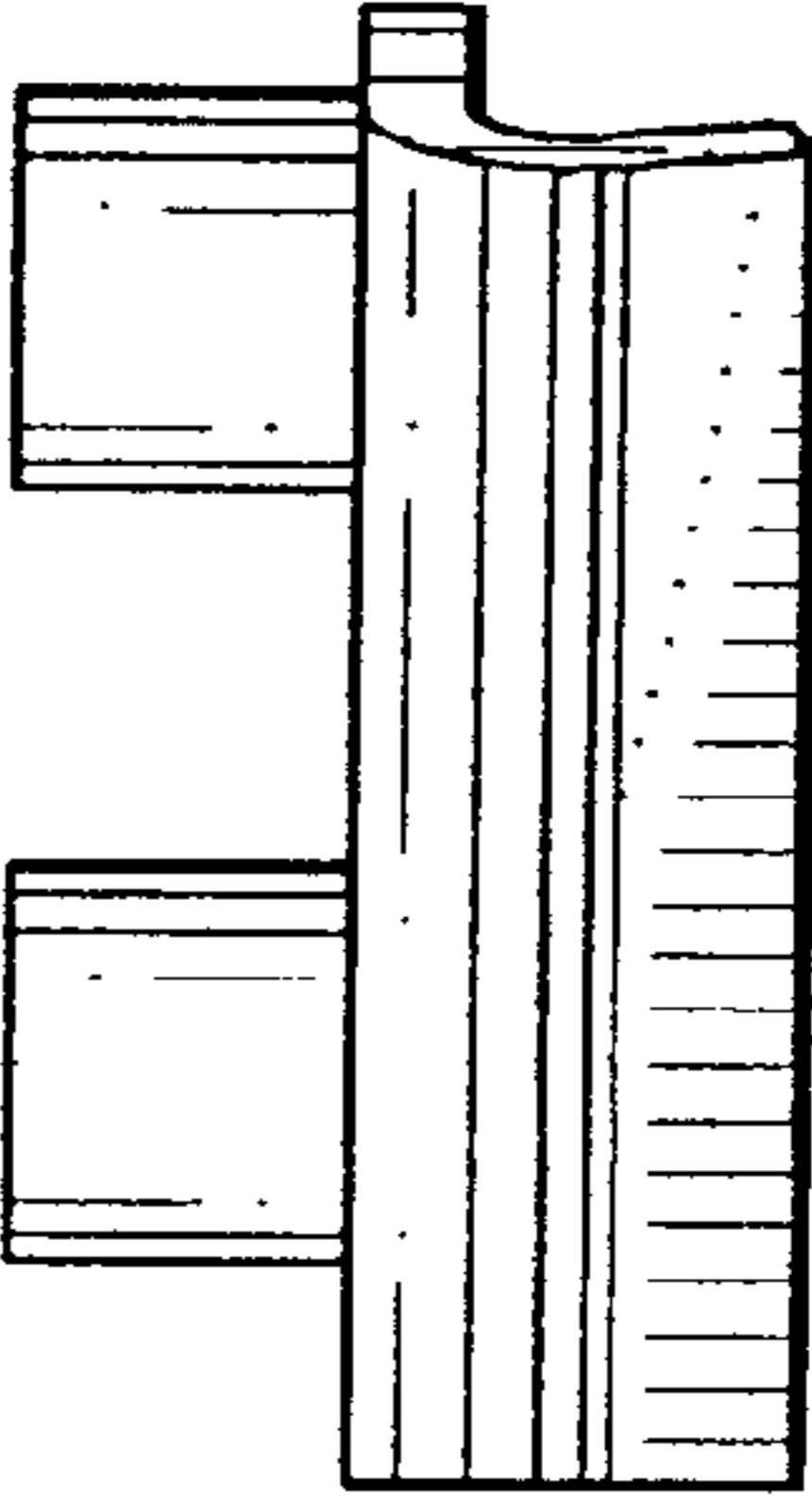


FIG. 3

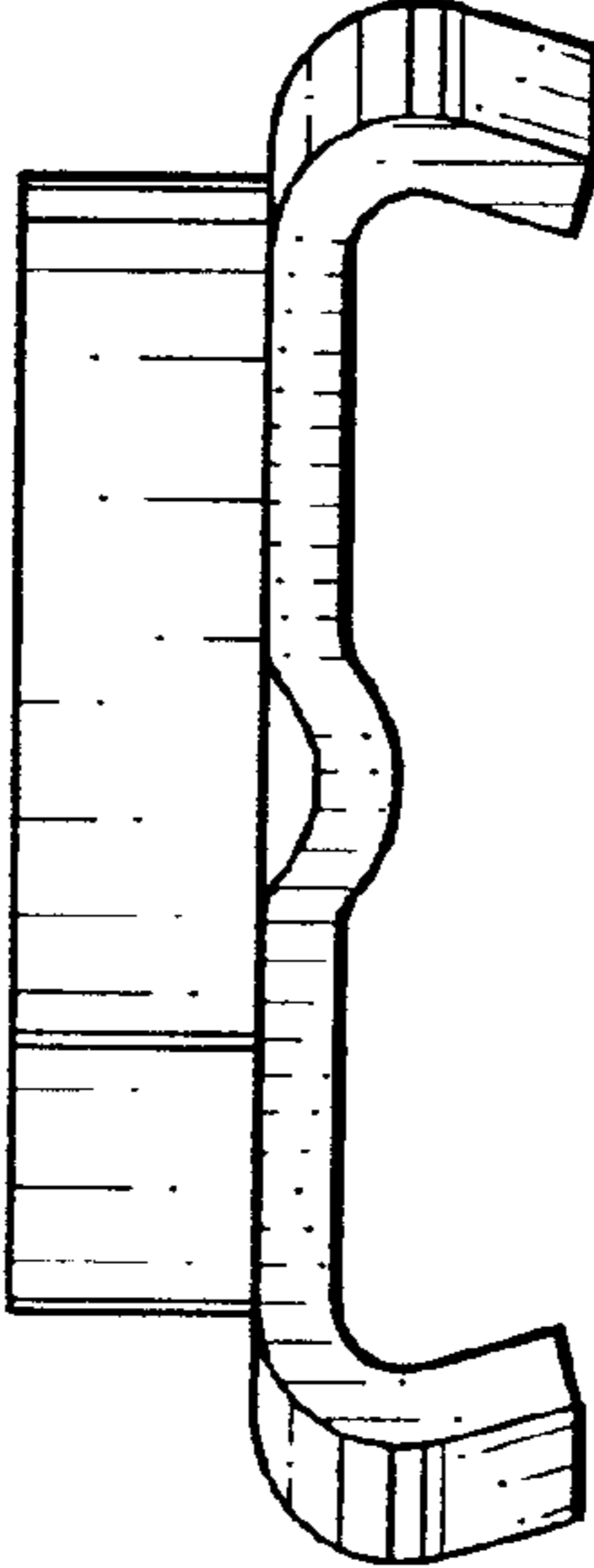


FIG. 2

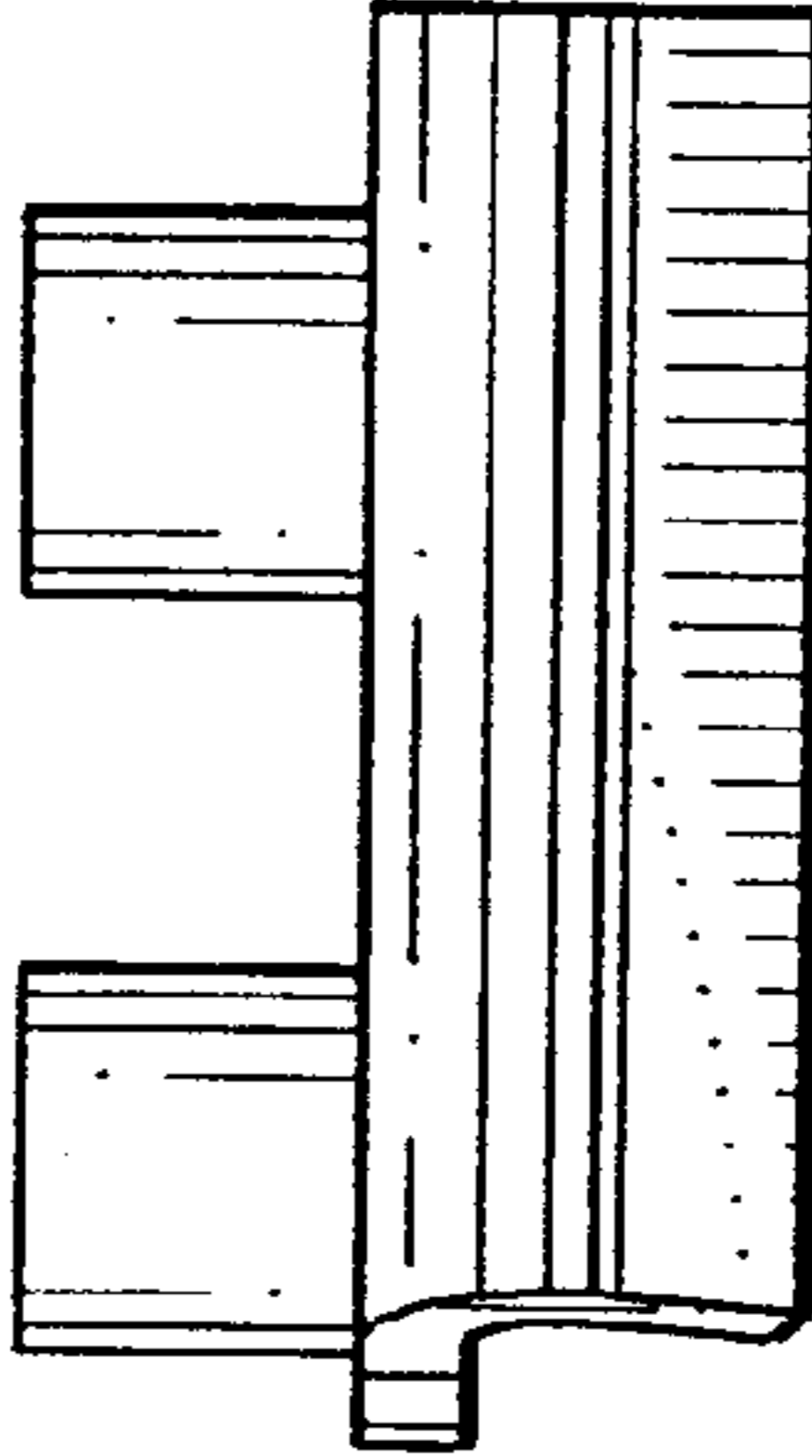


FIG. 4

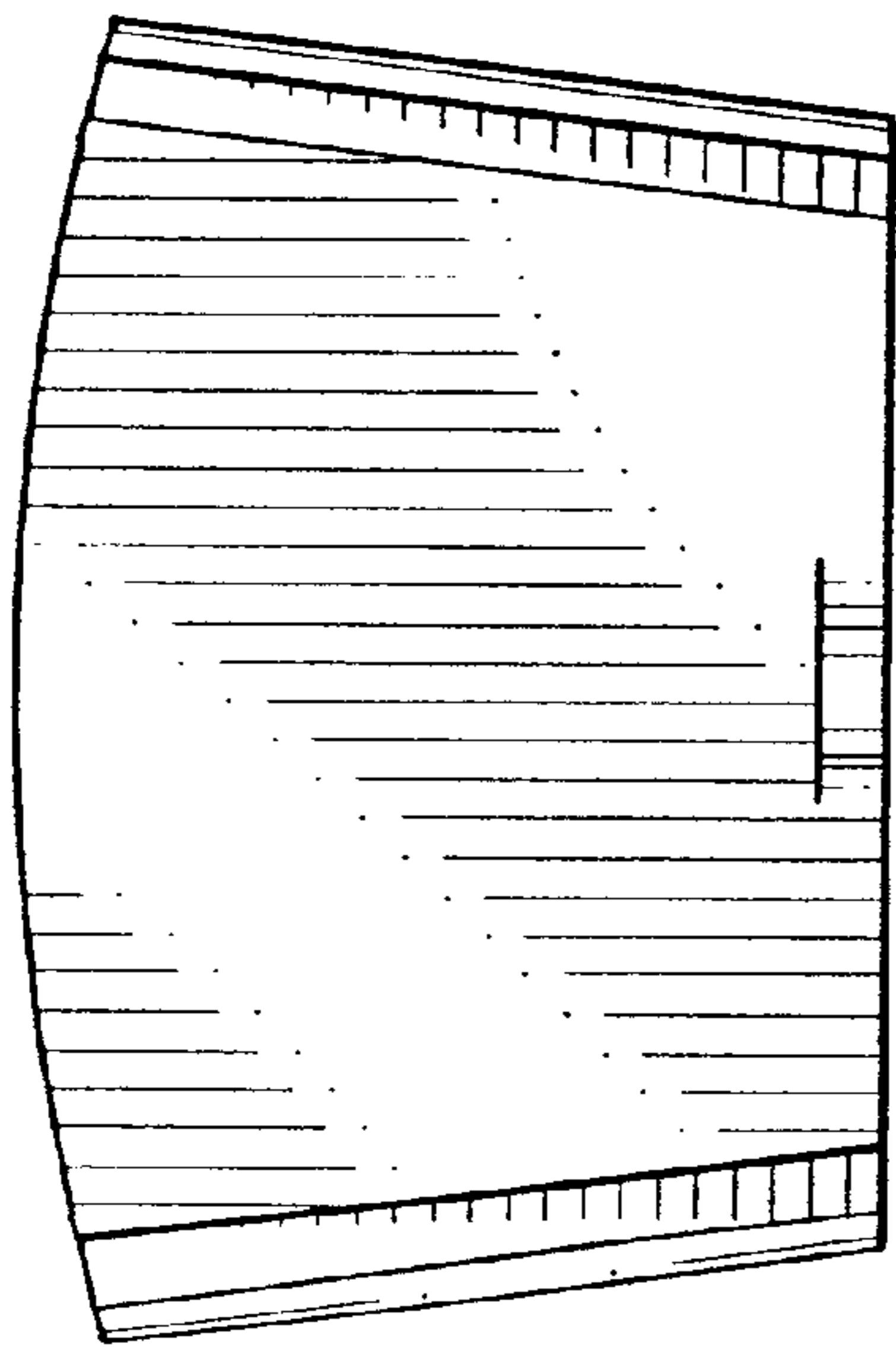


FIG. 5

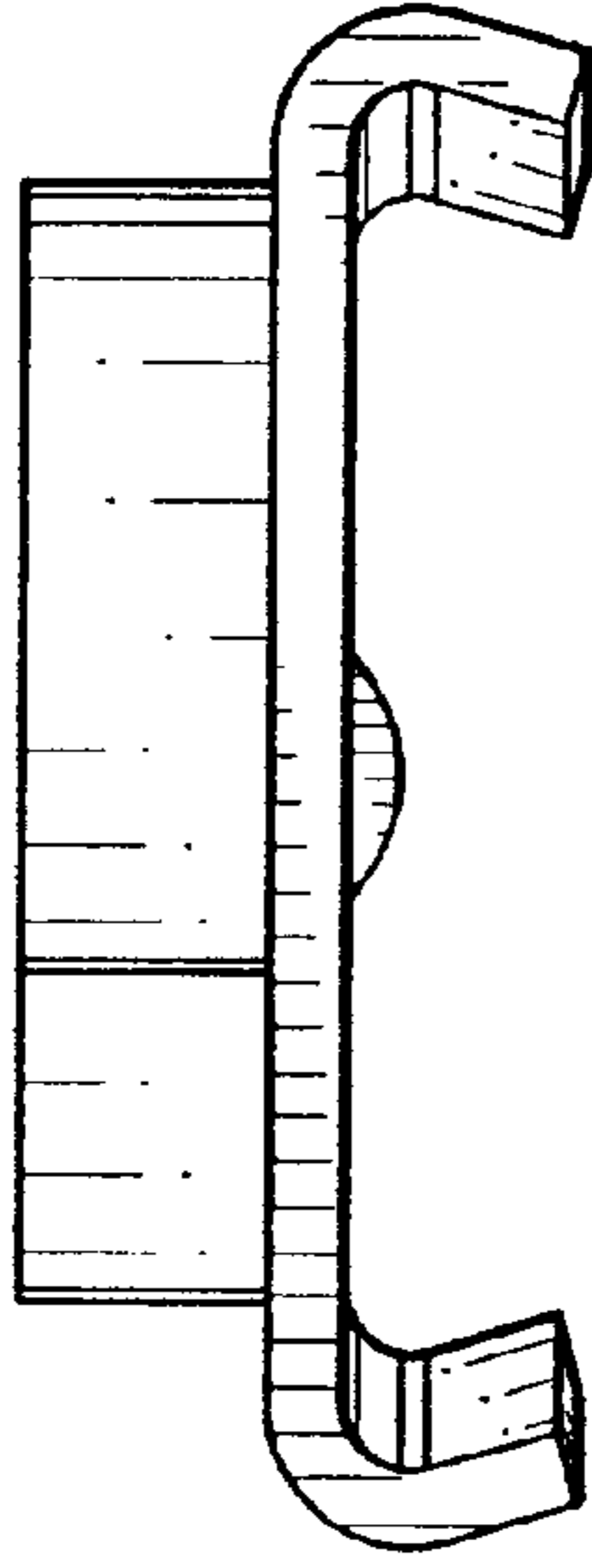


FIG. 6

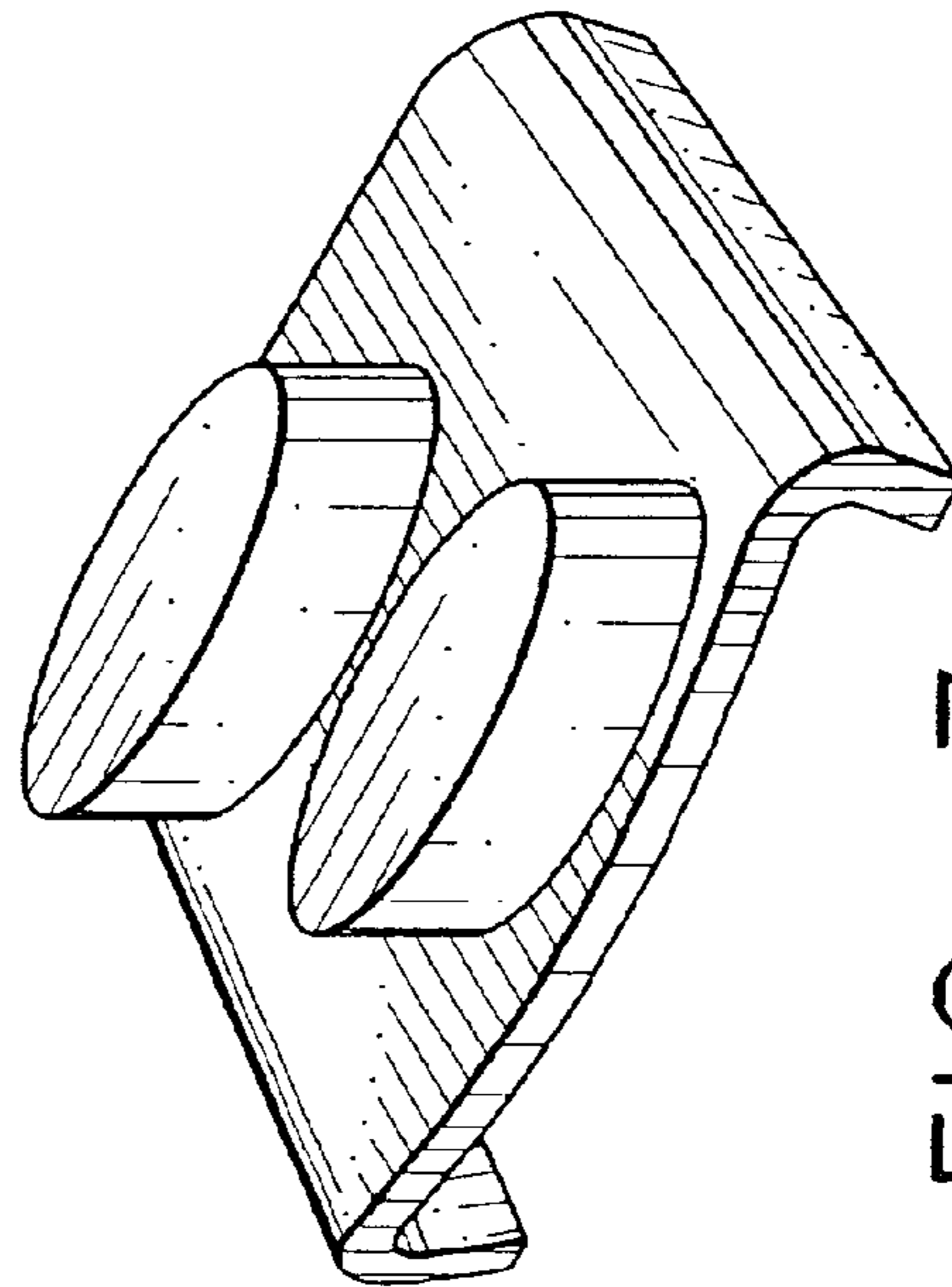


FIG. 7

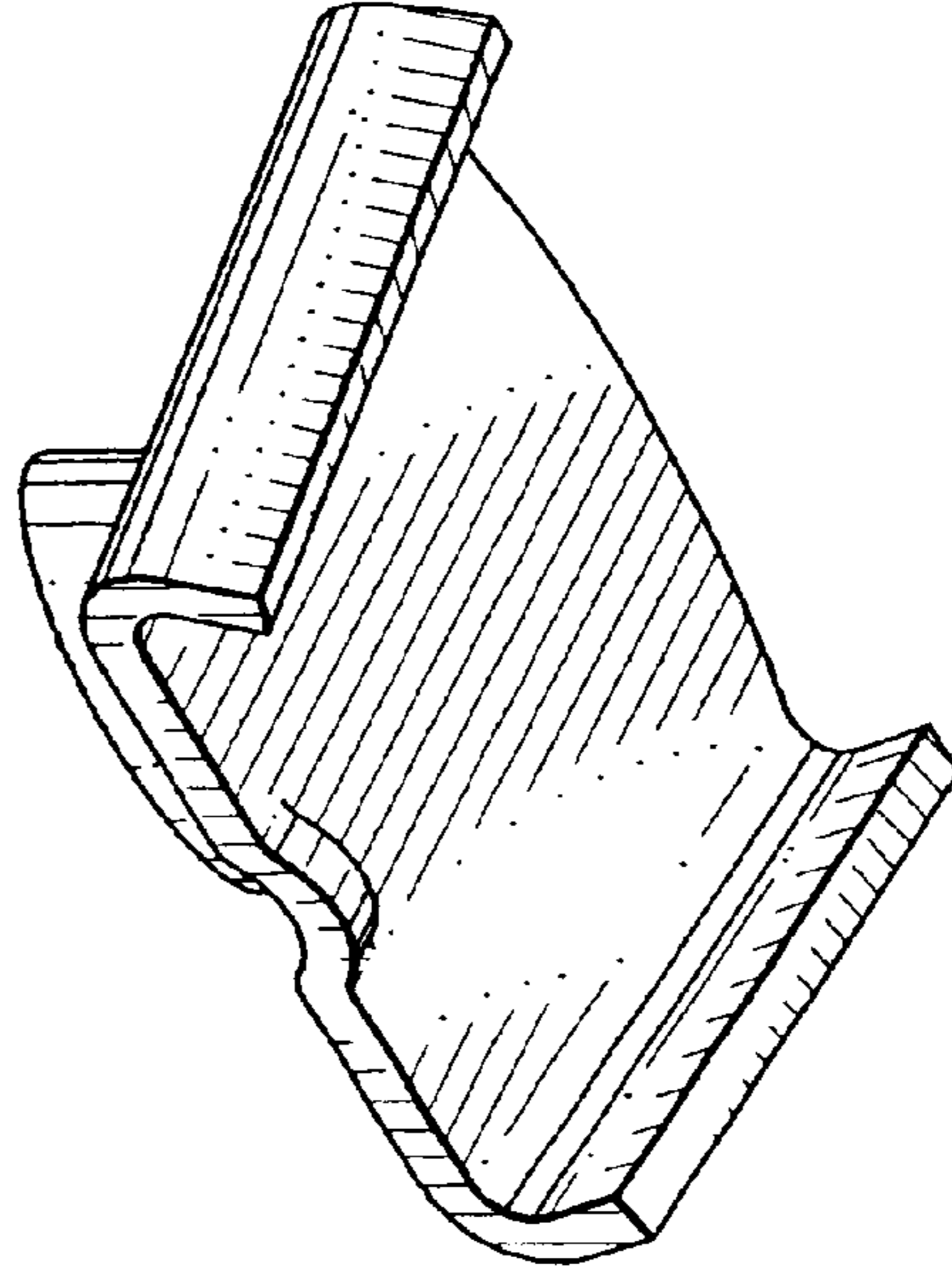


FIG. 8