



US00D521030S

(12) **United States Design Patent**
Duffy et al.

(10) **Patent No.:** **US D521,030 S**
(45) **Date of Patent:** **** May 16, 2006**

(54) **CANOPY FOR A REFRIGERATED DISPLAY CASE**

(75) Inventors: **Martin J. Duffy**, Edina, MN (US);
Derek R. Lea, Scotland (GB)

(73) Assignee: **Hussman Corporation**, Bridgeton, MO (US)

(**) Term: **14 Years**

(21) Appl. No.: **29/228,888**

(22) Filed: **Apr. 29, 2005**

(51) **LOC (8) Cl.** **15-07**

(52) **U.S. Cl.** **D15/89**

(58) **Field of Classification Search** D15/79,
D15/81-83, 85; D6/329, 396, 470-476; 62/249-255,
62/246, 261, 415, 433, 440, 467, 530; 312/3,
312/125, 114-118, 257.1, 278, 236, 310,
312/312, 352

See application file for complete search history.

(56) **References Cited**

U.S. PATENT DOCUMENTS

D109,949 S	*	5/1938	Hoffman	D15/83
D118,455 S	*	1/1940	Shelton et al.	D6/473
D136,838 S	*	12/1943	Ressinger	D6/473
2,518,764 A	*	8/1950	Dunlap	312/312
2,890,680 A	*	6/1959	Malkin	D15/79
D194,518 S	*	2/1963	Davidoff	D6/473
D207,928 S	*	6/1967	Rundell	D15/85
3,667,826 A	*	6/1972	Wood et al.	312/118
D288,041 S	*	2/1987	LeBlanc	D6/473
6,634,668 B1	*	10/2003	Urffer et al.	312/310

OTHER PUBLICATIONS

Hussmann Impact Merchandisers Brochure, "Multi-Deck Dairy/Deli Display", Catalog D-5, published in 2000.

Hussmann Impact Merchandisers Brochure, "Multi-Deck Dairy/Deli End Cap Display", Catalog D5ELE, published in 1999.

Hussmann Impact Merchandisers Brochure, "Multi-Deck, Convertible Merchandiser for Any Medium Temperature Application", Catalog C5, published in 2000.

Hussmann Impact Merchandisers Brochure, "Multi-Deck, Convertible Merchandiser for Any Medium Temperature Application", Catalog C4, published in 2000.

* cited by examiner

Primary Examiner—Nanda Bondade

Assistant Examiner—Shanda C. Hill

(74) *Attorney, Agent, or Firm*—Michael Best & Friedrich LLP

(57) **CLAIM**

We claim the ornamental design for a canopy for a refrigerated display case, as shown and described.

DESCRIPTION

FIG. 1 is a perspective view of a refrigerated display case embodying the present invention.

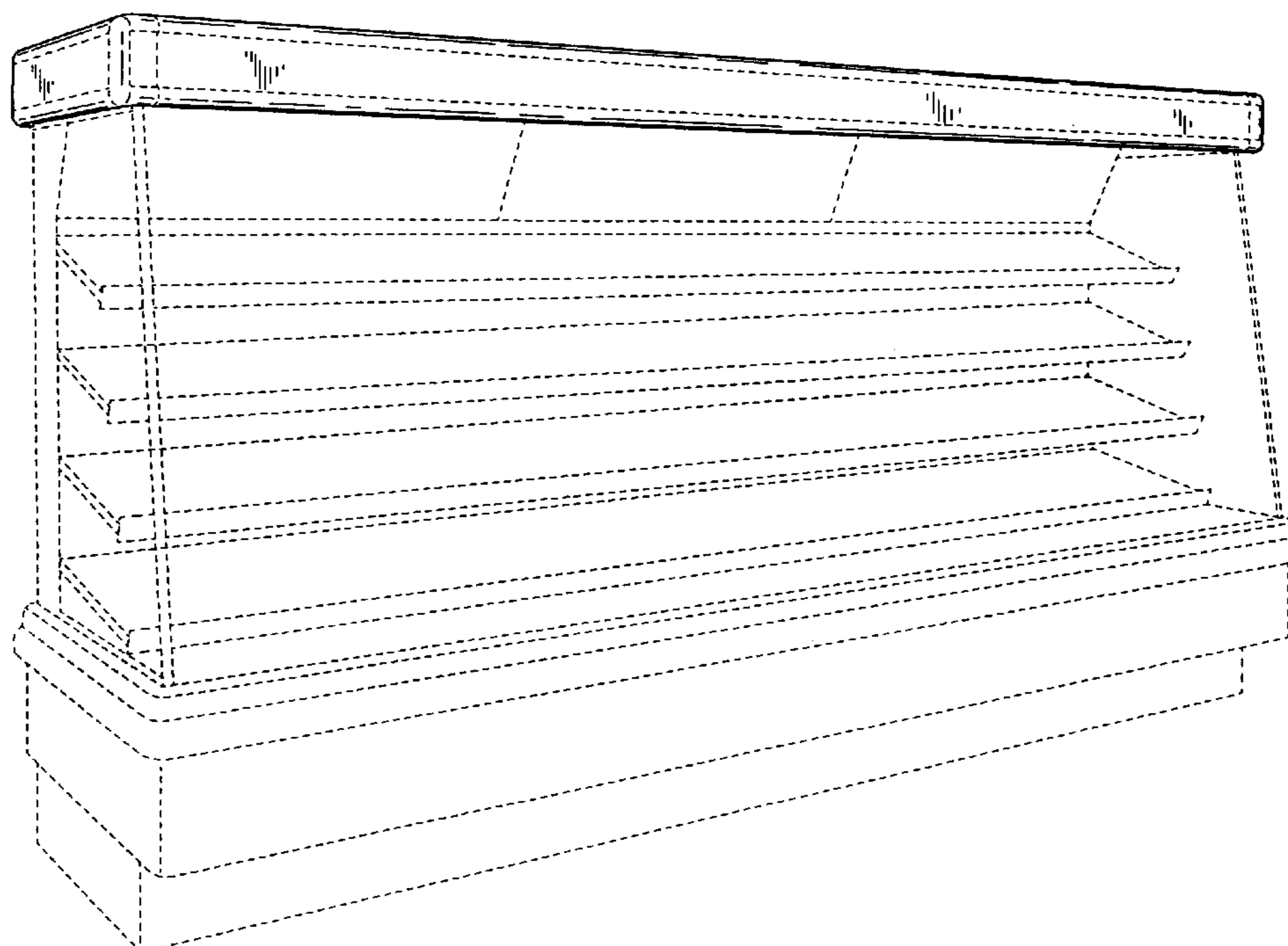
FIG. 2 is a front view of the refrigerated display case shown in FIG. 1.

FIG. 3 is a side view of the refrigerated display case shown in FIG. 1; and,

FIG. 4 is an opposite side view of the refrigerated display case shown in FIG. 1.

The broken line showing of the environment is for illustrative purposes only and forms no part of the claimed design.

1 Claim, 3 Drawing Sheets



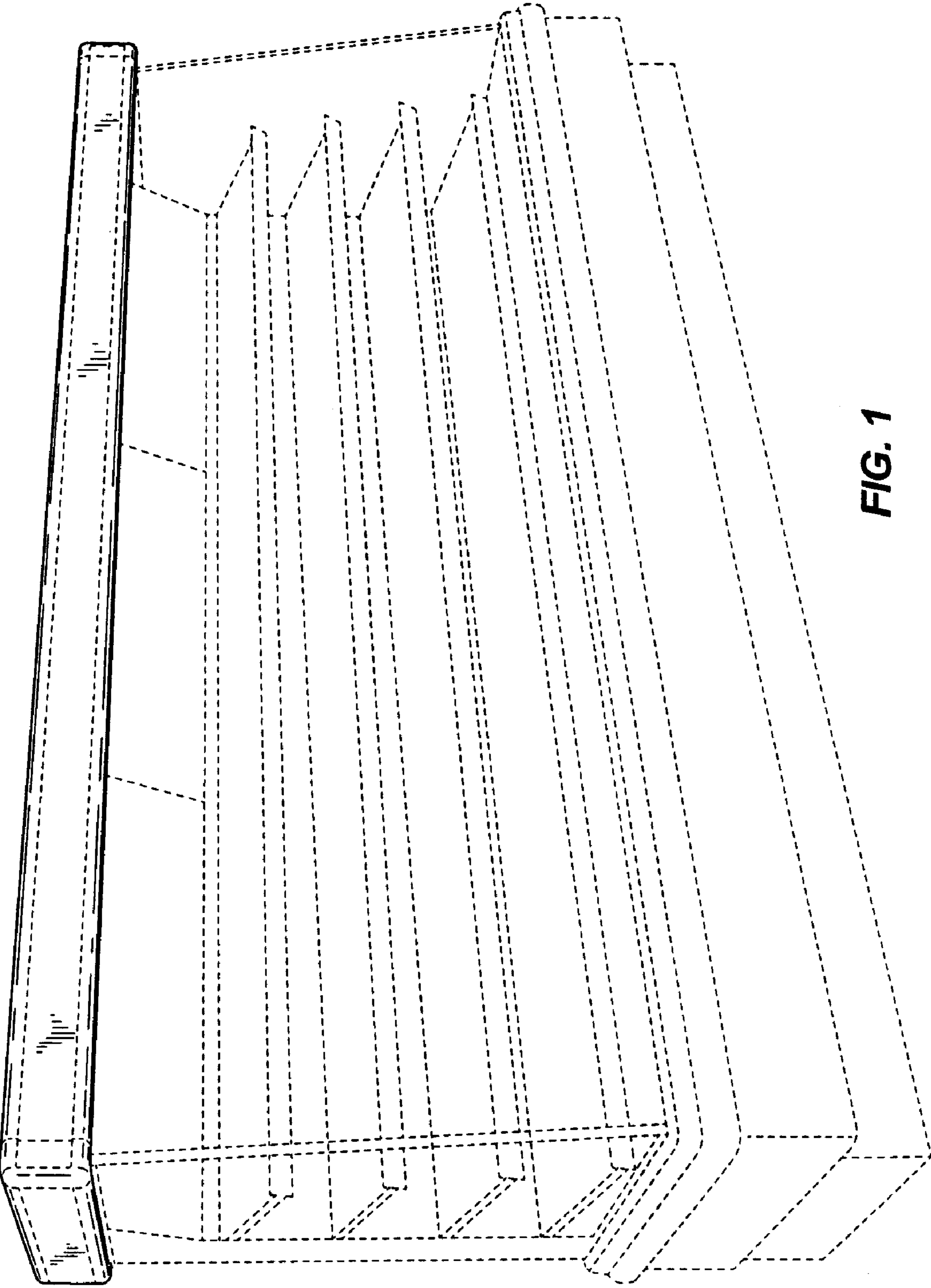


FIG. 1

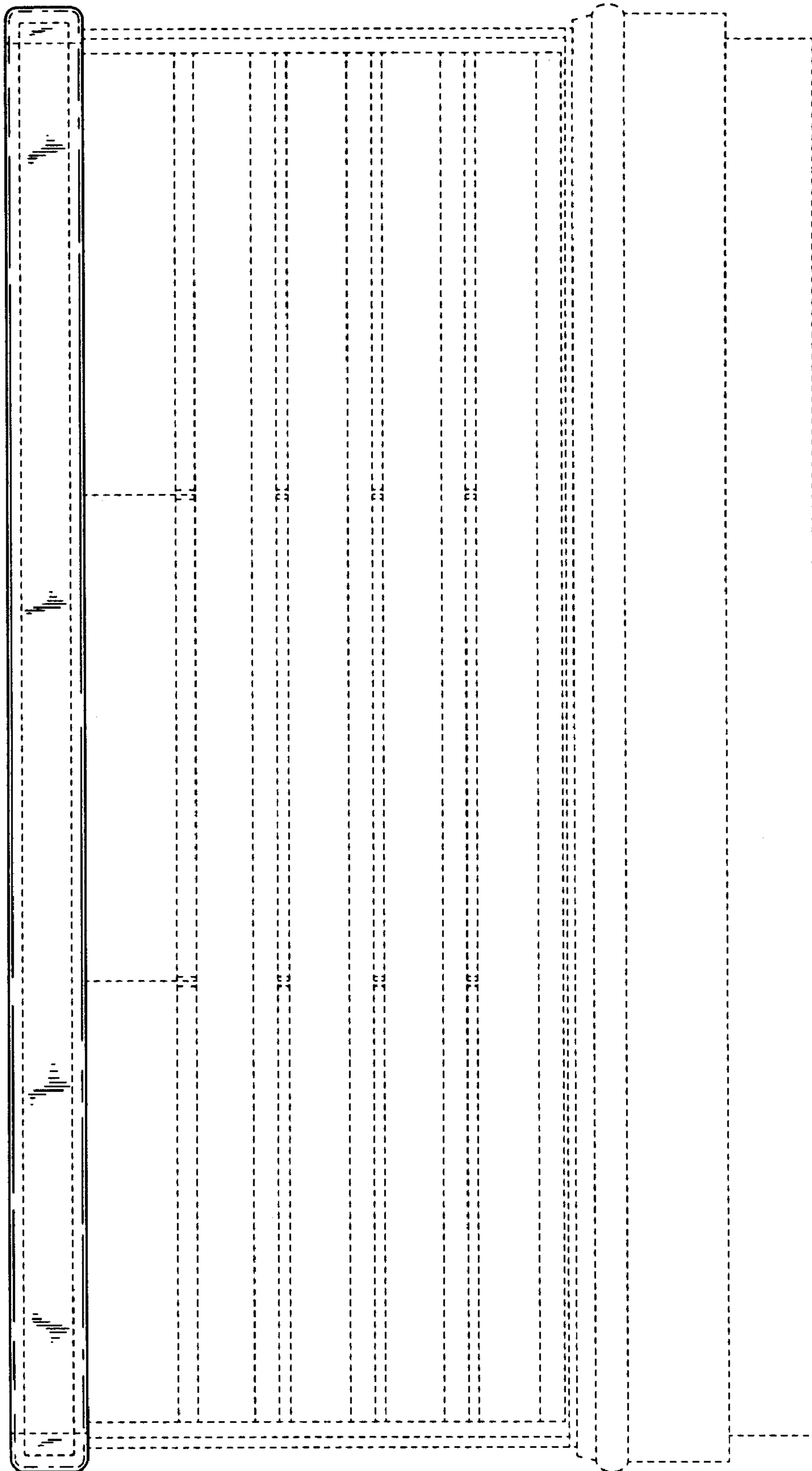


FIG. 2

FIG. 4

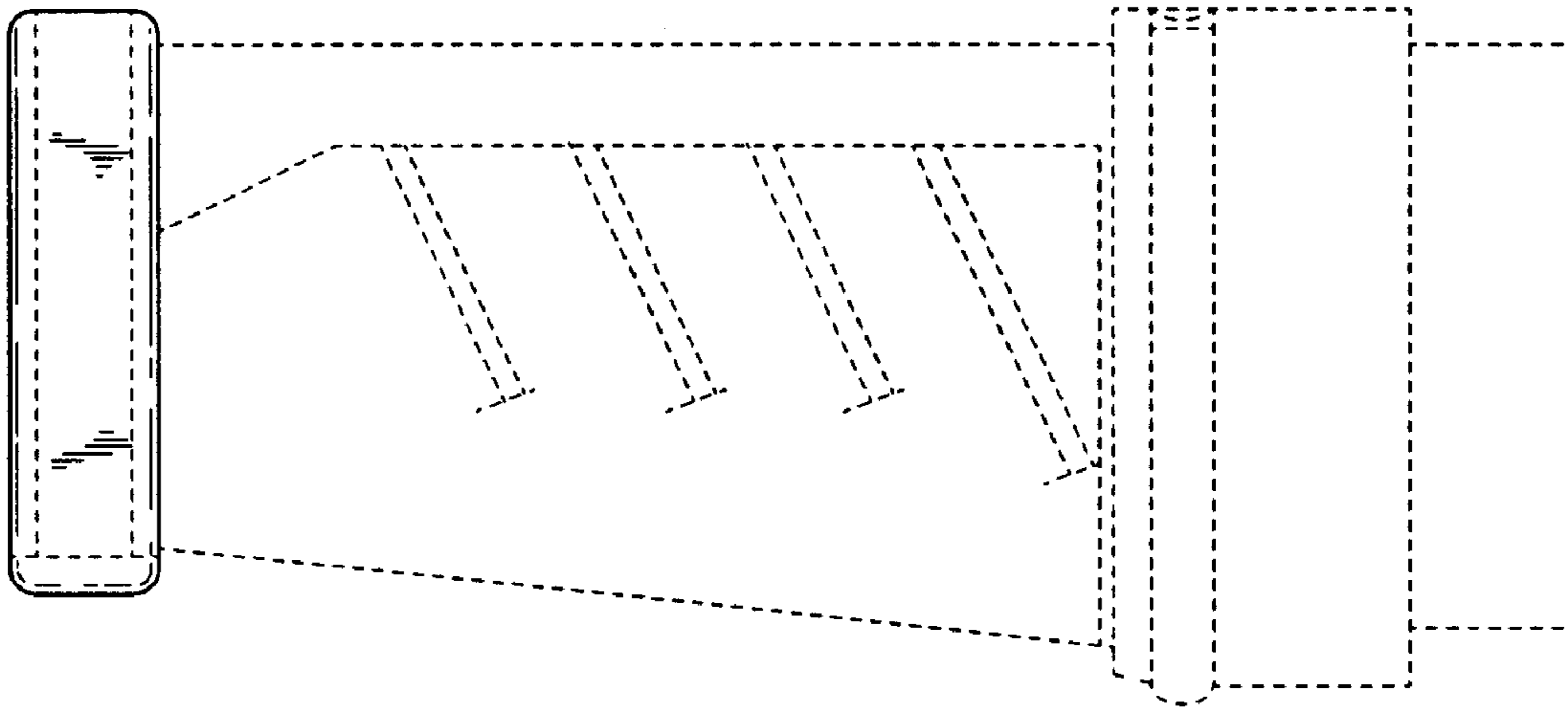
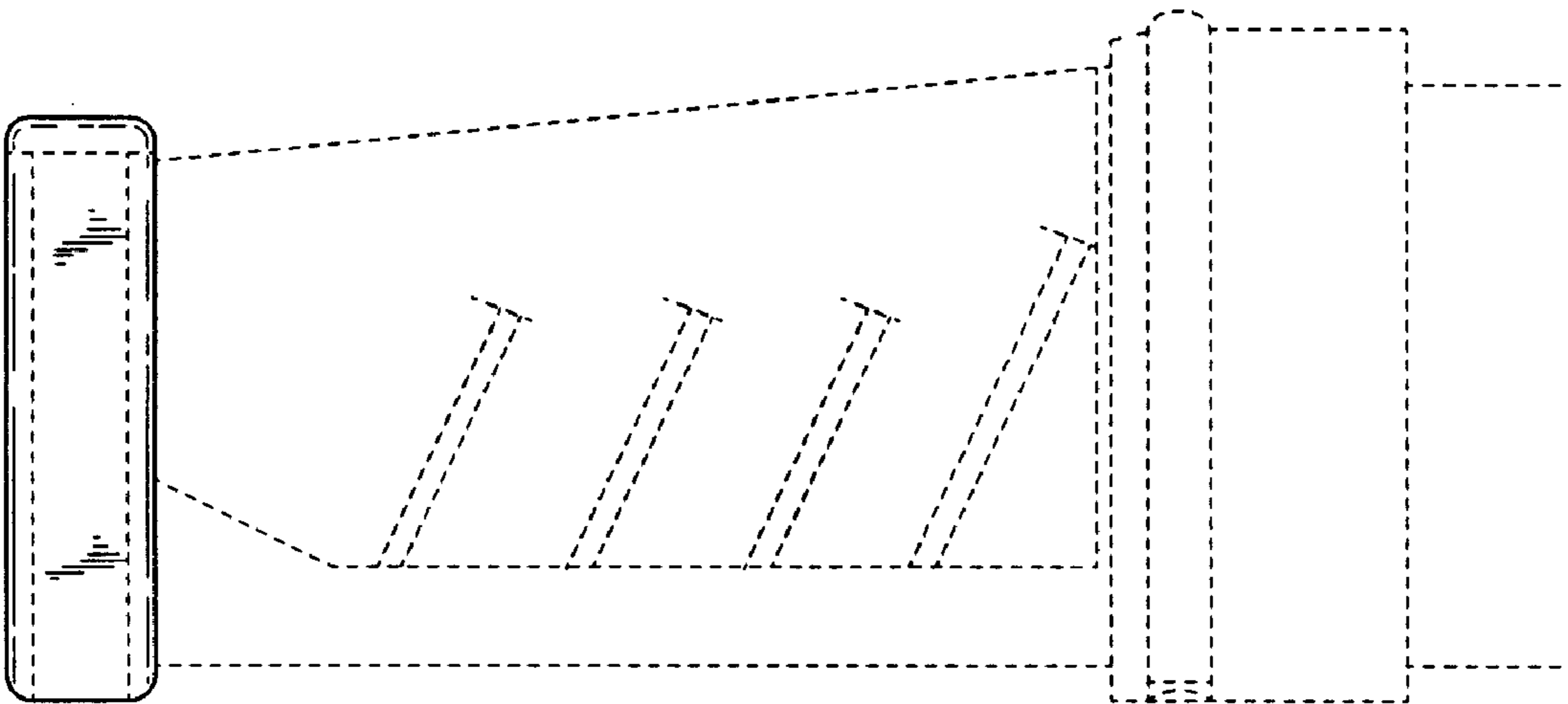


FIG. 3



UNITED STATES PATENT AND TRADEMARK OFFICE
CERTIFICATE OF CORRECTION

PATENT NO. : Des. 521,030 S
APPLICATION NO. : 29/228888
DATED : May 16, 2006
INVENTOR(S) : Martin J. Duffy and Derek R. Lea

Page 1 of 1

It is certified that error appears in the above-identified patent and that said Letters Patent is hereby corrected as shown below:

On Title Page,

Item (73)

(73) Assignee: delete "Hussman" and insert -Hussmann--

Signed and Sealed this

Fifth Day of September, 2006

A handwritten signature in black ink on a dotted background. The signature reads "Jon W. Dudas" in a cursive style.

JON W. DUDAS

Director of the United States Patent and Trademark Office