



US00D521027S

(12) **United States Design Patent**  
**Hosoi**

(10) **Patent No.:** **US D521,027 S**

(45) **Date of Patent:** **\*\* May 16, 2006**

(54) **SEWING MACHINE**

(75) Inventor: **Hiroyasu Hosoi**, Kariya (JP)

(73) Assignee: **Aisin Seiki Kabushiki Kaisha**, Kariya (JP)

(\*\*) Term: **14 Years**

(21) Appl. No.: **29/231,702**

(22) Filed: **Jun. 9, 2005**

(30) **Foreign Application Priority Data**

Feb. 25, 2005 (JP) ..... 2005-005526

(51) **LOC (8) Cl.** ..... **15-06**

(52) **U.S. Cl.** ..... **D15/66; D15/69**

(58) **Field of Classification Search** ..... D15/66-78;  
D21/527; 112/2, 63, 154, 217.1, 217.2, 217.3,  
112/217.4, 255-261, 475.01  
See application file for complete search history.

(56) **References Cited**

**U.S. PATENT DOCUMENTS**

D267,881 S	*	2/1983	Current	.....	D15/68
D298,044 S	*	10/1988	Sekiguchi	.....	D15/69
D307,024 S	*	4/1990	Itoh et al.	.....	D15/69
D309,739 S	*	8/1990	Itoh et al.	.....	D15/69
D321,518 S	*	11/1991	Uchida	.....	D15/69

D321,694 S	*	11/1991	Uchida	.....	D15/69
D338,022 S	*	8/1993	Takada et al.	.....	D15/69
5,471,941 A	*	12/1995	Sakuma	.....	D15/69
D392,294 S	*	3/1998	Kato et al.	.....	D15/69
D450,721 S	*	11/2001	Kawaguchi	.....	D15/69
D462,368 S	*	9/2002	Kuroki	.....	D15/69
D465,793 S	*	11/2002	Takada et al.	.....	D15/69
D482,702 S	*	11/2003	Kawaguchi	.....	D15/69

\* cited by examiner

*Primary Examiner*—Nanda Bondade

*Assistant Examiner*—Shanda C. Hill

(74) *Attorney, Agent, or Firm*—Buchanan Ingersol PC

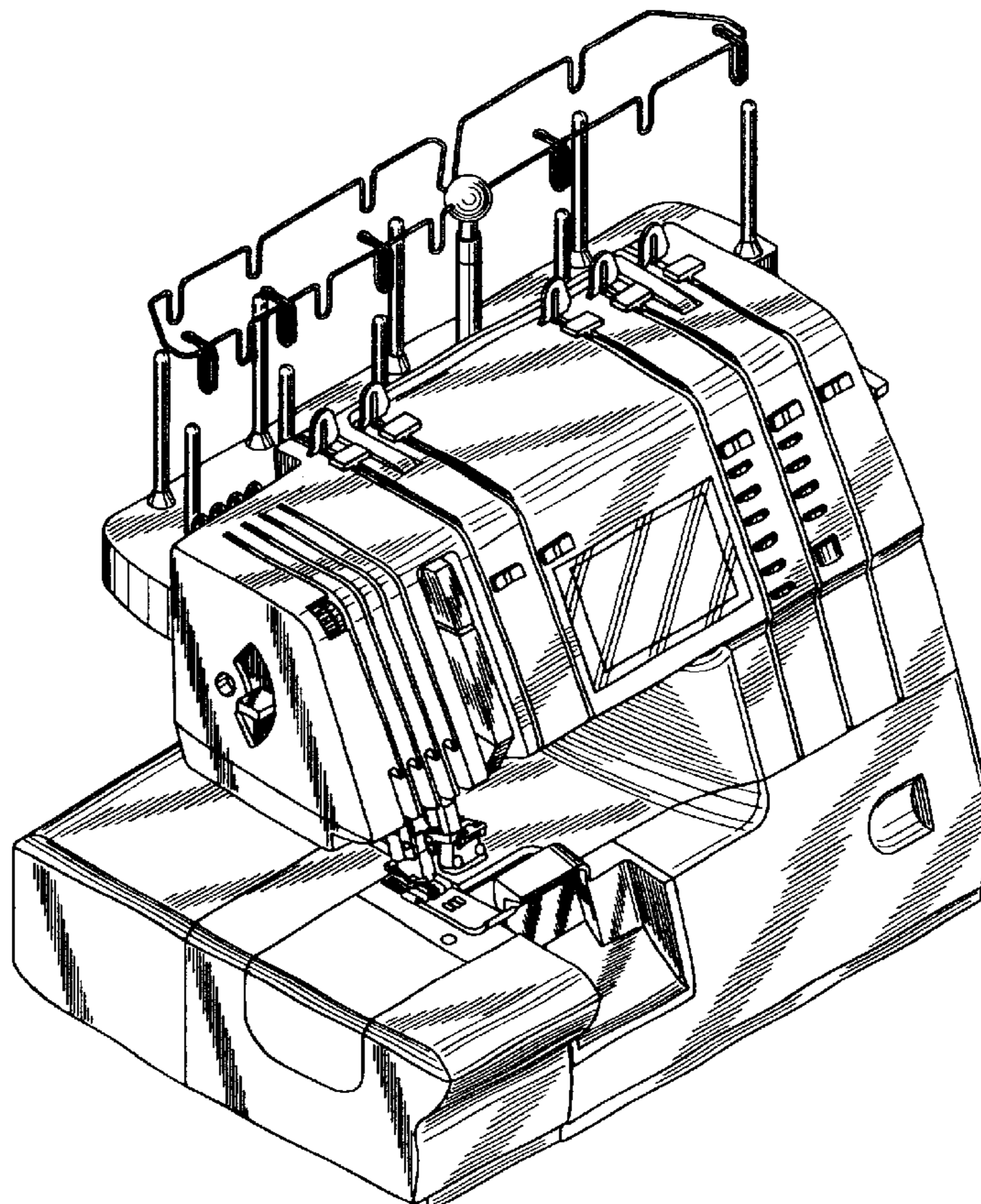
(57) **CLAIM**

The ornamental design for a sewing machine, as shown and described.

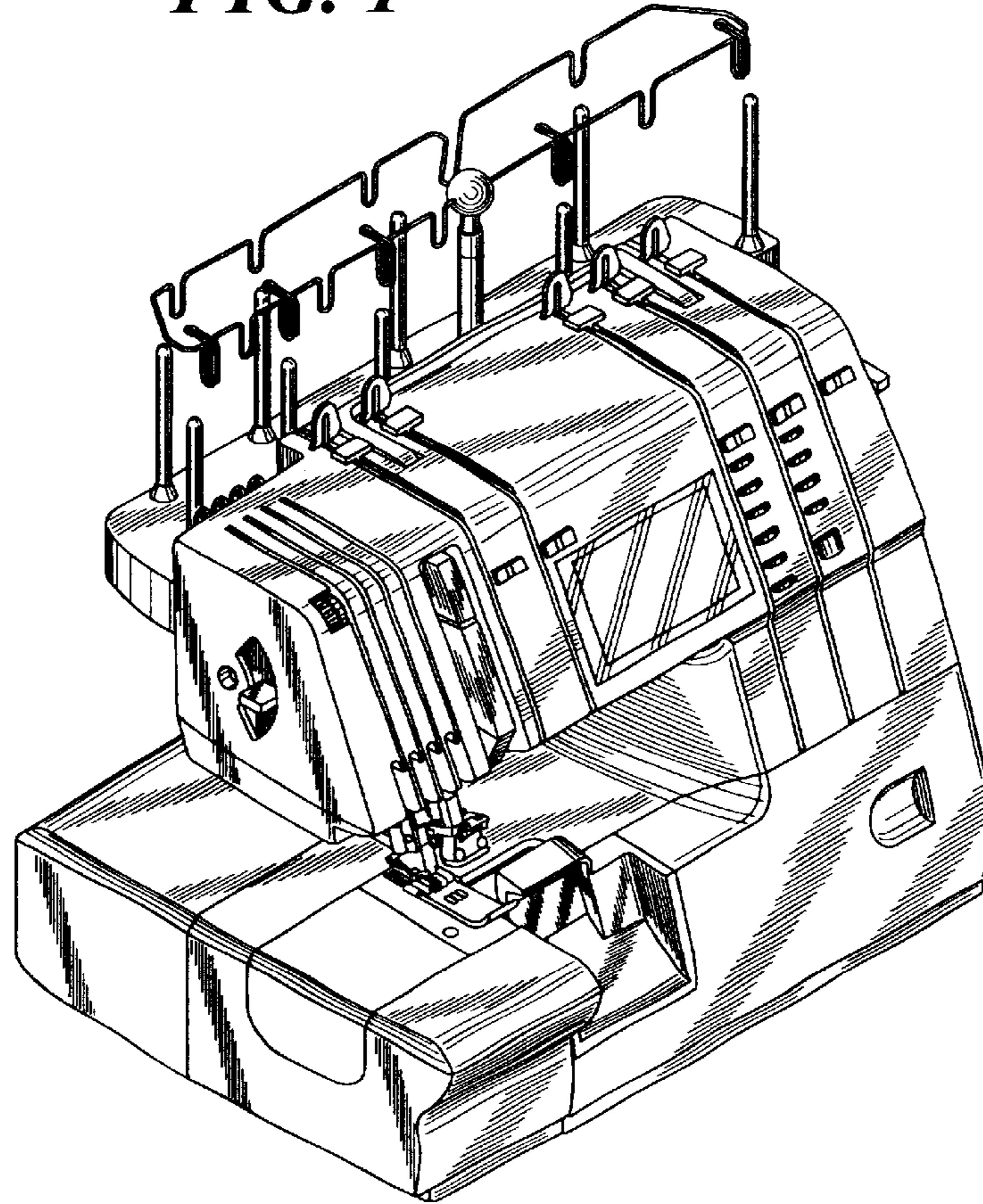
**DESCRIPTION**

FIG. 1 is a front perspective view of a sewing machine showing my new design;  
FIG. 2 is a rear perspective view thereof;  
FIG. 3 is a front elevational view thereof;  
FIG. 4 is a rear elevational view thereof;  
FIG. 5 is a top plan view thereof;  
FIG. 6 is a bottom plan view thereof;  
FIG. 7 is a right side elevational view thereof; and,  
FIG. 8 is a left side elevational view thereof.

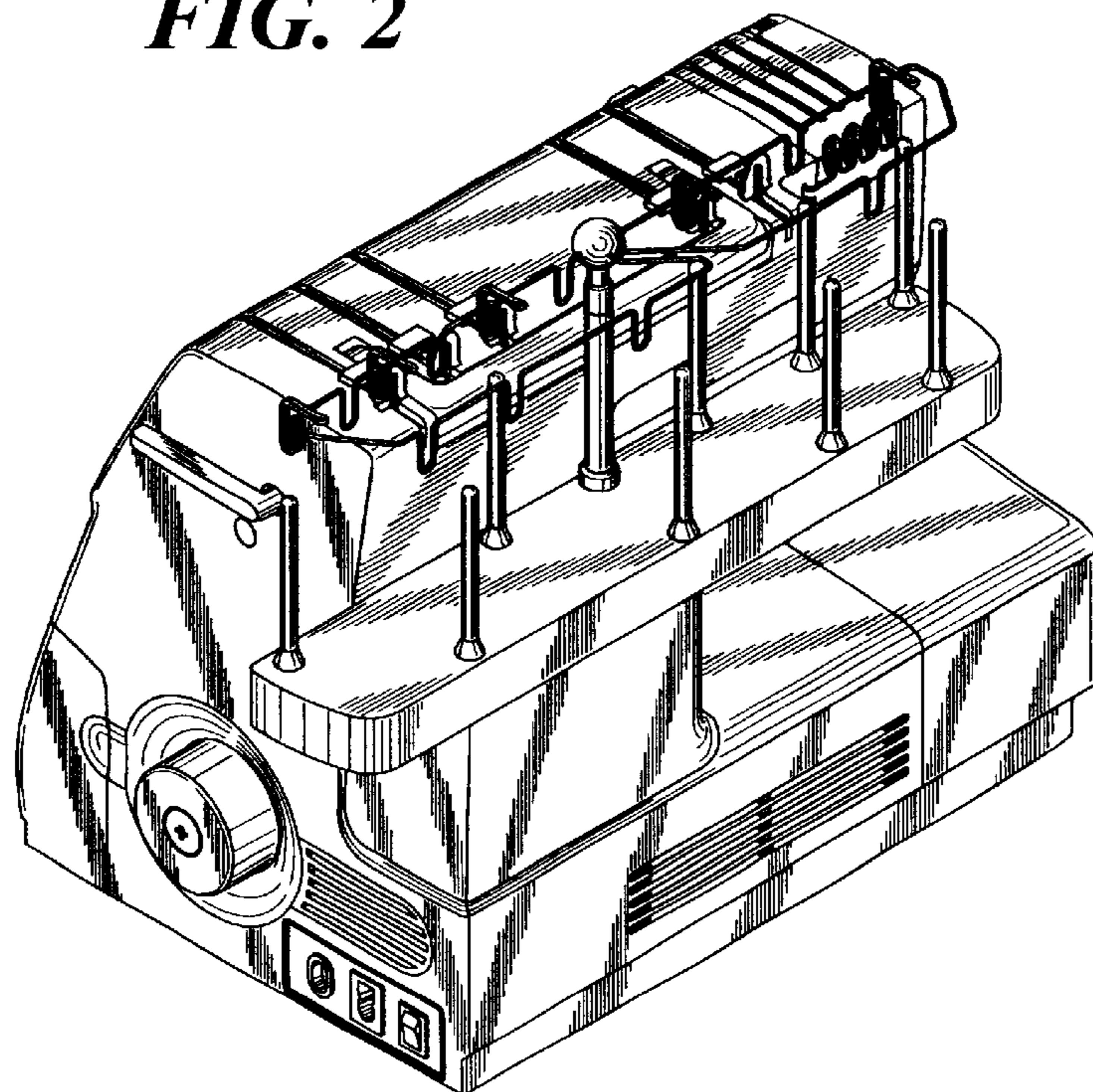
**1 Claim, 4 Drawing Sheets**



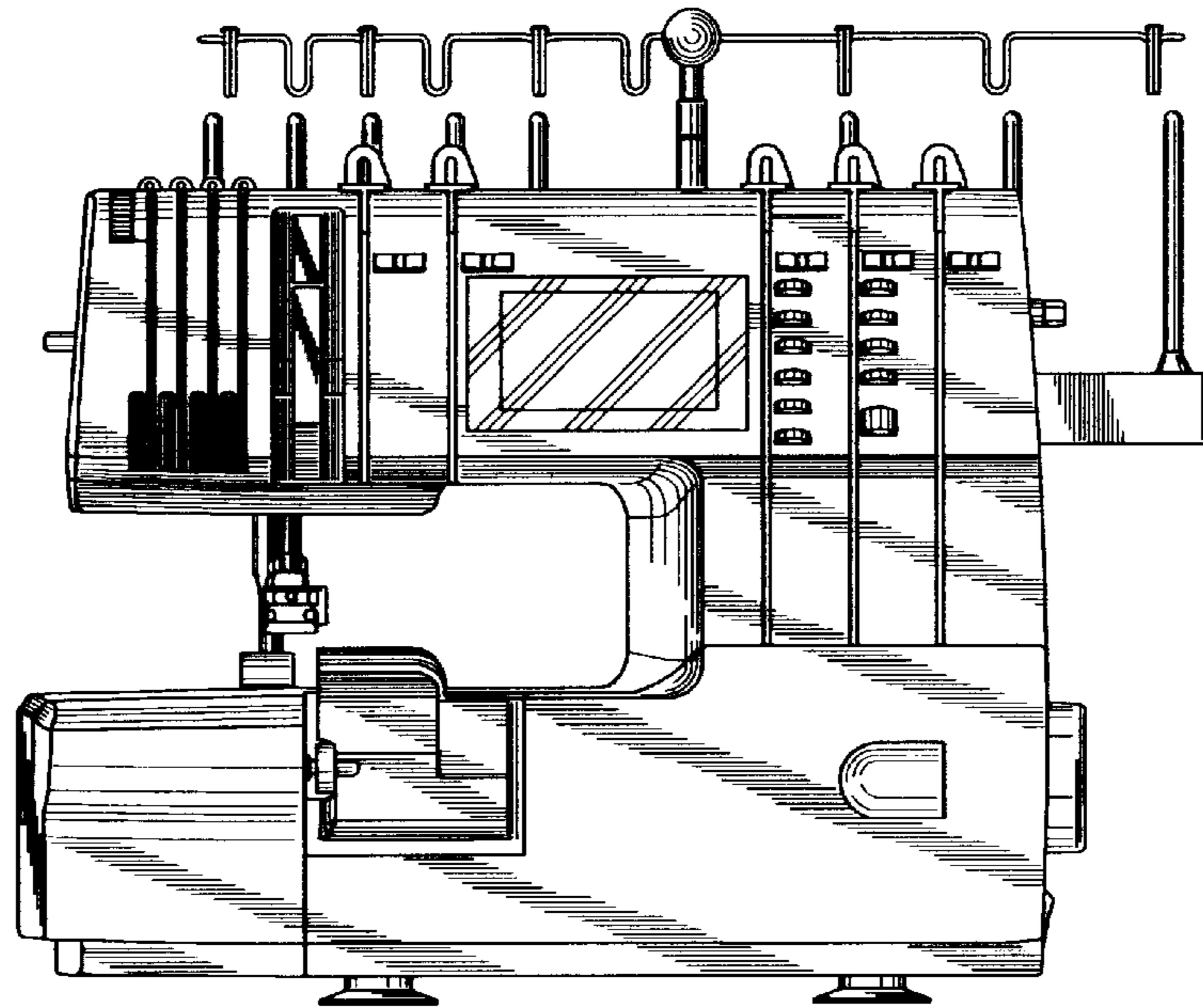
**FIG. 1**



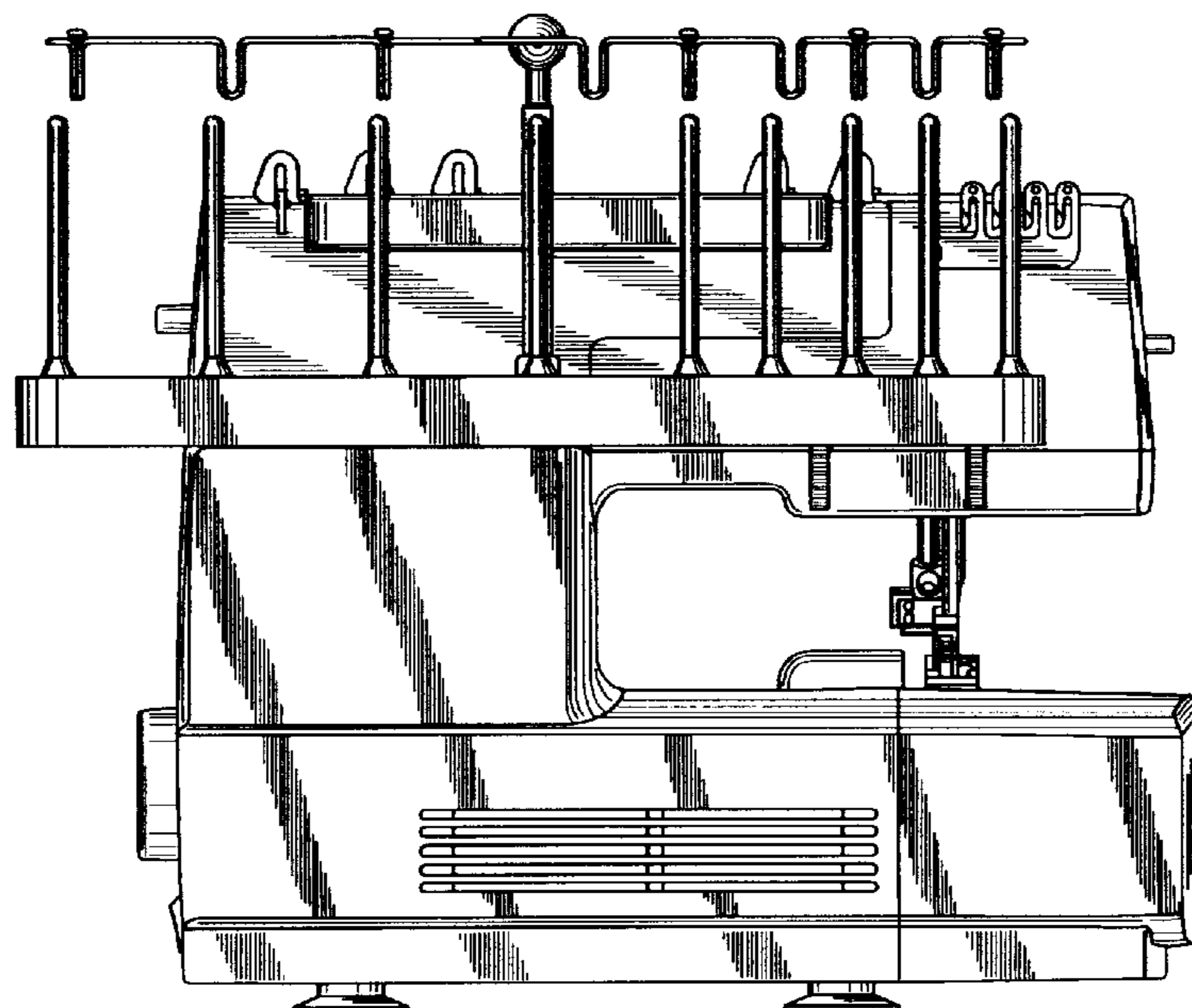
**FIG. 2**



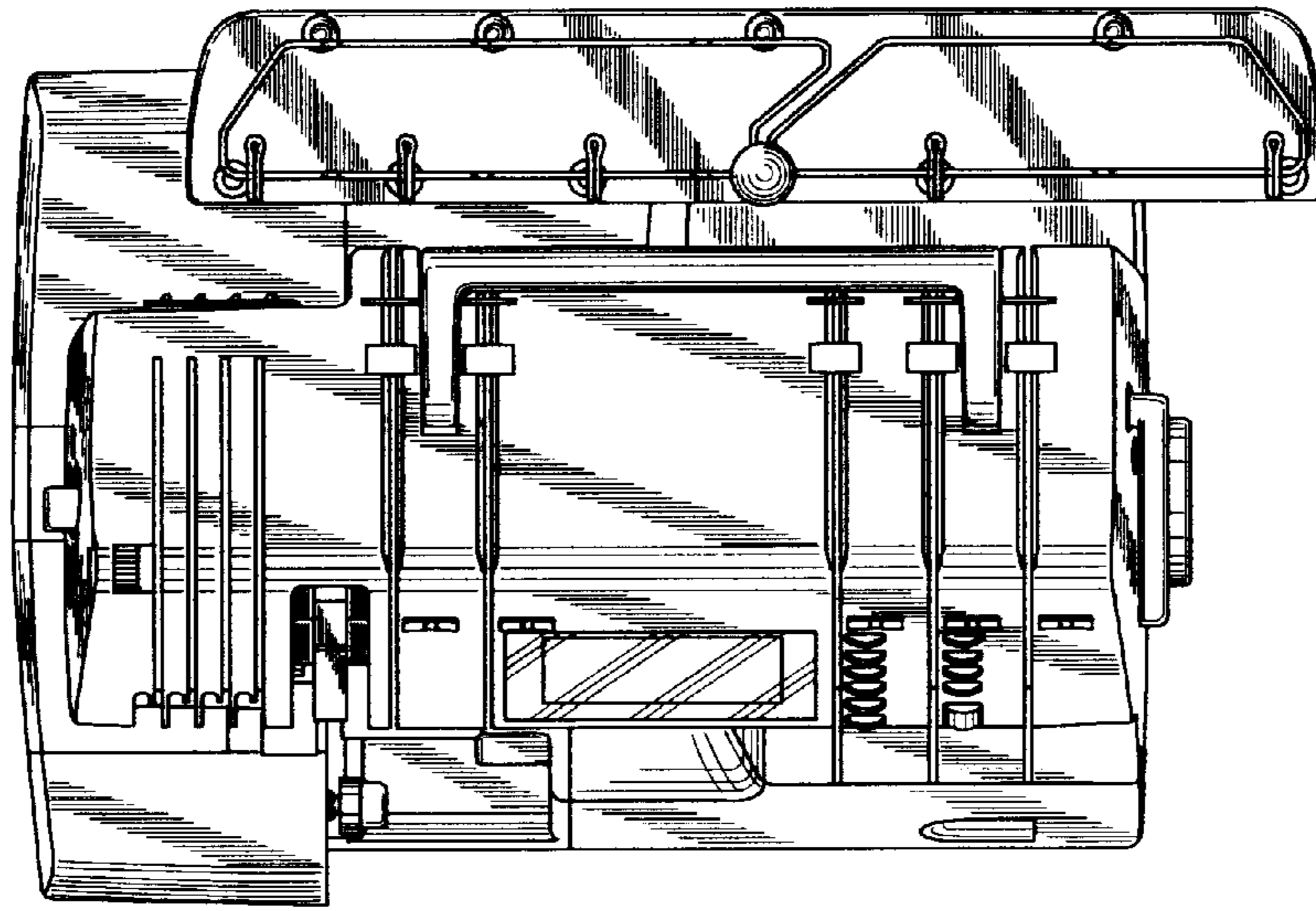
**FIG. 3**



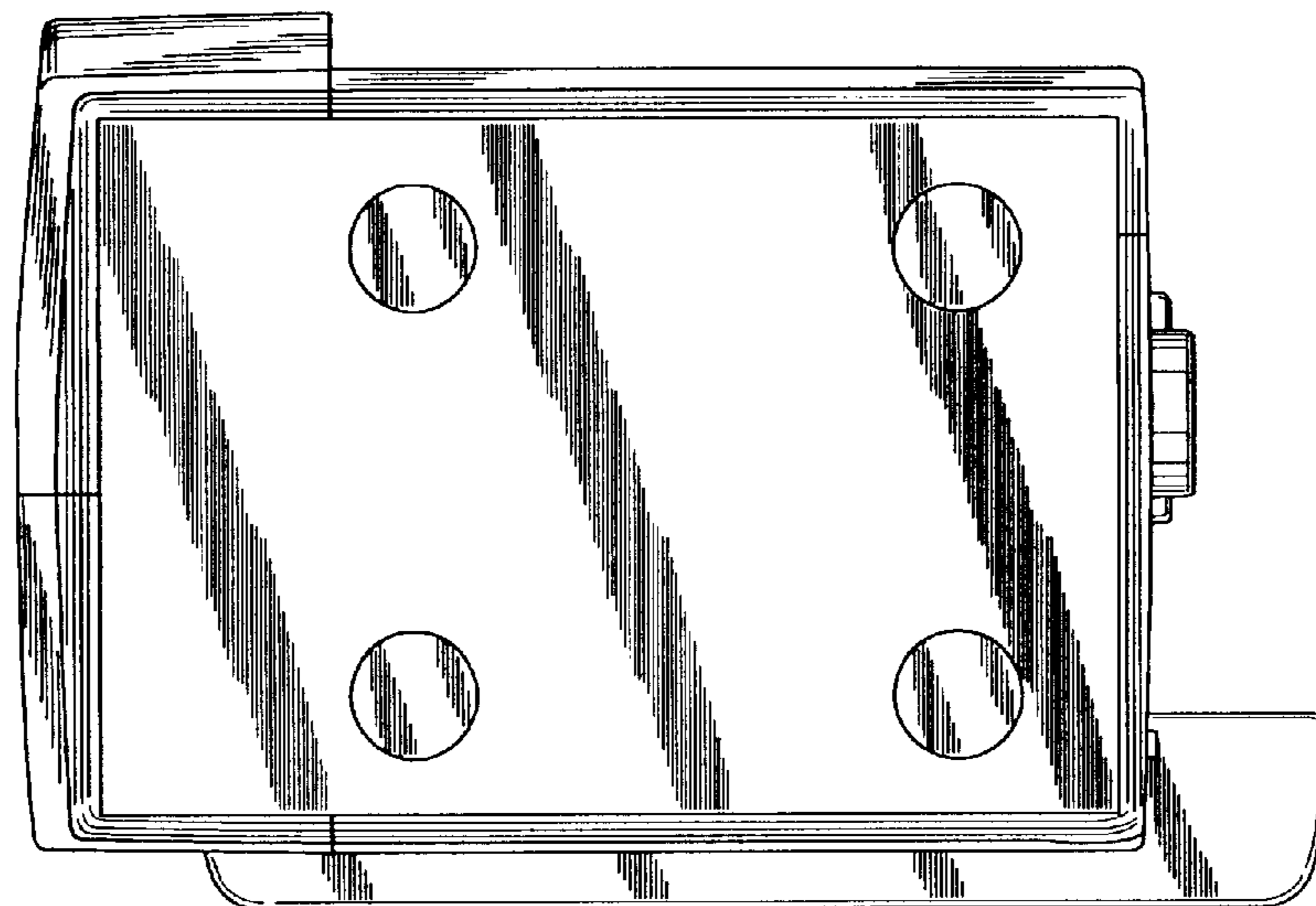
**FIG. 4**



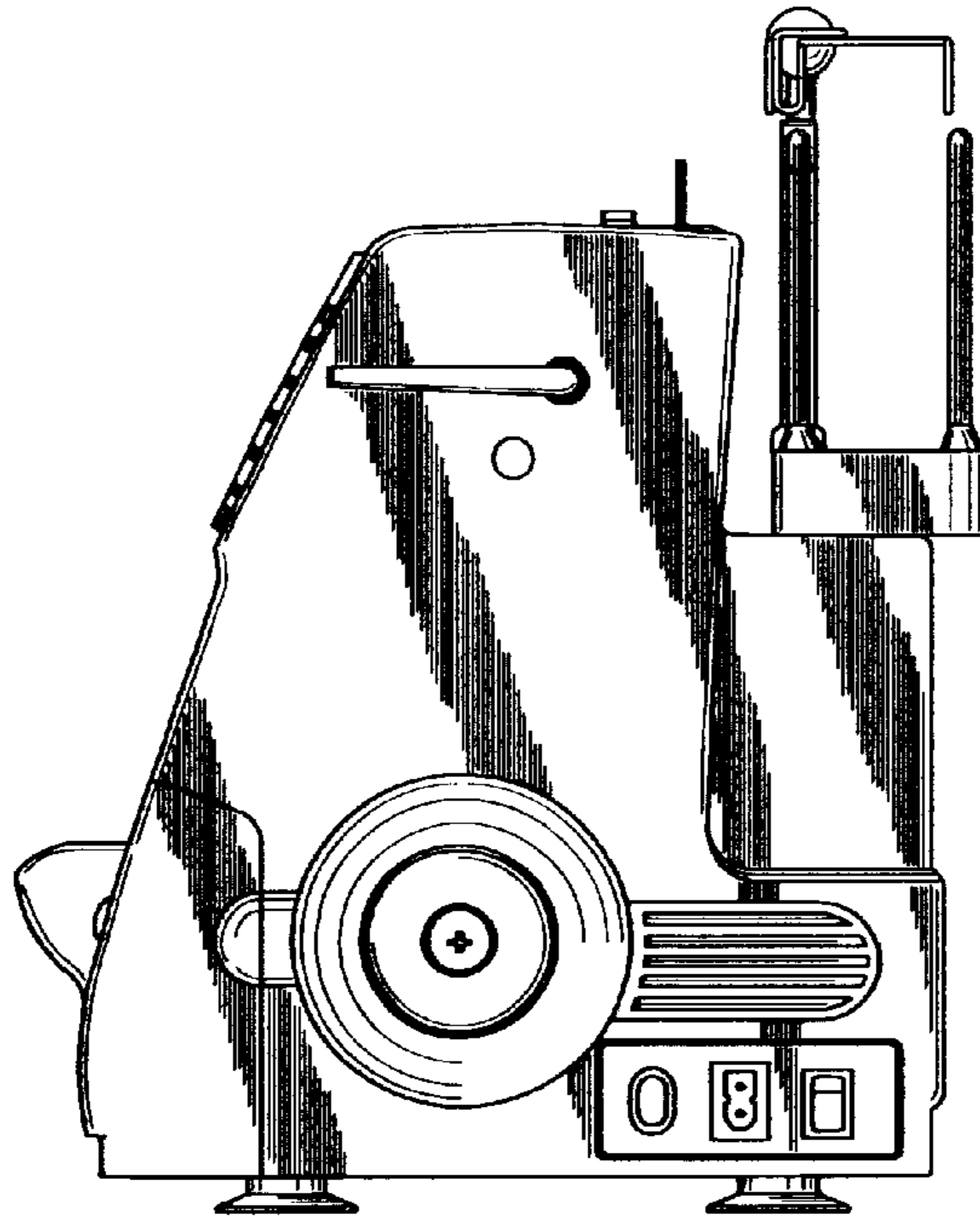
**FIG. 5**



**FIG. 6**



**FIG. 7**



**FIG. 8**

