



US00D521026S

(12) **United States Design Patent**  
**Ono et al.**

(10) **Patent No.:** **US D521,026 S**

(45) **Date of Patent:** **\*\* May 16, 2006**

(54) **SWITCH BOX FOR MOWING MACHINE**

(75) Inventors: **Ryou Ono**, Saitama (JP); **Kiyoshi Anbo**, Saitama (JP)

(73) Assignee: **Komatsu Zenoah Co.**, Saitama (JP)

(\*\*) Term: **14 Years**

(21) Appl. No.: **29/220,725**

(22) Filed: **Jan. 6, 2005**

(51) **LOC (8) Cl.** ..... **15-03**

(52) **U.S. Cl.** ..... **D15/17; D8/8**

(58) **Field of Classification Search** ..... D15/1,  
D15/5, 10, 17, 18; D8/1, 8; 56/10.5, 12.7;  
123/195 R, 195 C, 195 E; 30/276, 228, 208-210  
See application file for complete search history.

(56) **References Cited**

**U.S. PATENT DOCUMENTS**

- D260,394 S \* 8/1981 Tuggle ..... D15/1
- D274,620 S \* 7/1984 Murakami et al. .... D15/1
- 4,662,158 A \* 5/1987 Zerrer ..... 56/12.7

- D338,676 S \* 8/1993 Tuggle et al. .... D15/1
- D349,436 S \* 8/1994 Griffin et al. .... D8/8
- D375,963 S \* 11/1996 Braun et al. .... D15/17

\* cited by examiner

*Primary Examiner*—Stella Reid

*Assistant Examiner*—Mark Goodwin

(74) *Attorney, Agent, or Firm*—Manabu Kanesaka

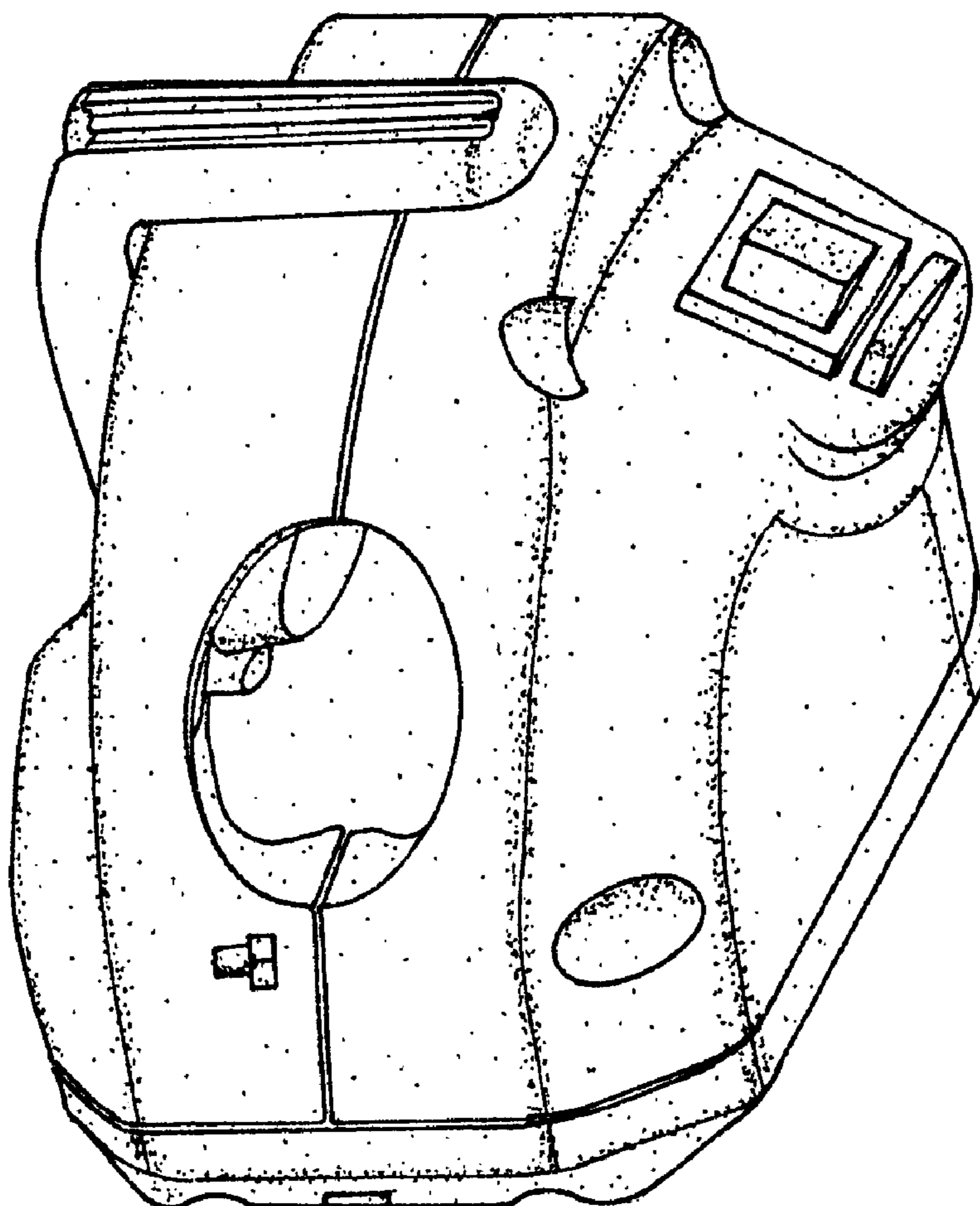
(57) **CLAIM**

The ornamental design for switch box for mowing machine, as shown and described.

**DESCRIPTION**

FIG. 1 is a perspective view of a switch box for a mowing machine showing our new design; FIG. 2 is a front view thereof; FIG. 3 is a rear view thereof; FIG. 4 is a plan view thereof; FIG. 5 is a bottom view thereof; FIG. 6 is a right side view thereof; and, FIG. 7 is a left side view thereof.

**1 Claim, 4 Drawing Sheets**



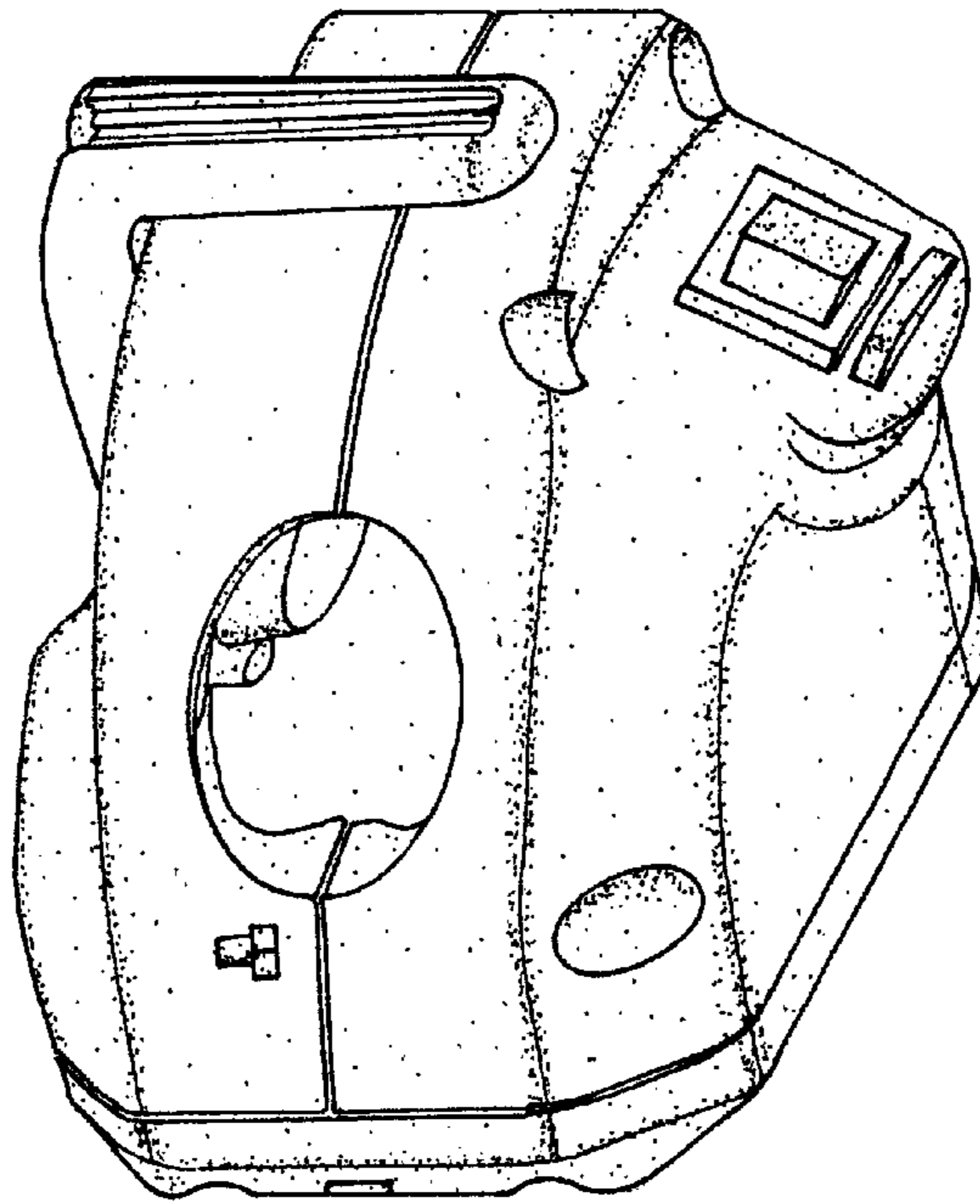


Fig. 1

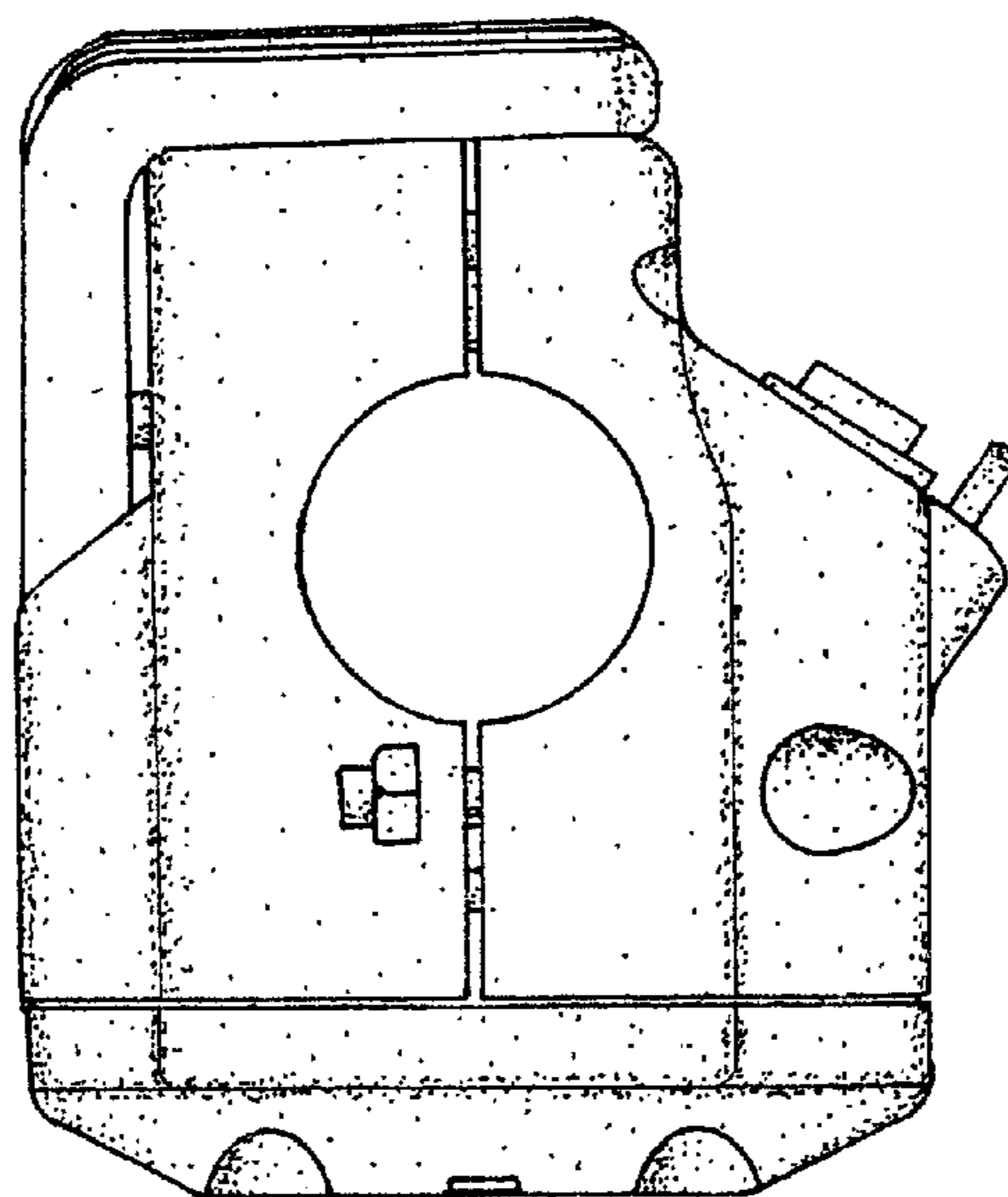


Fig. 2

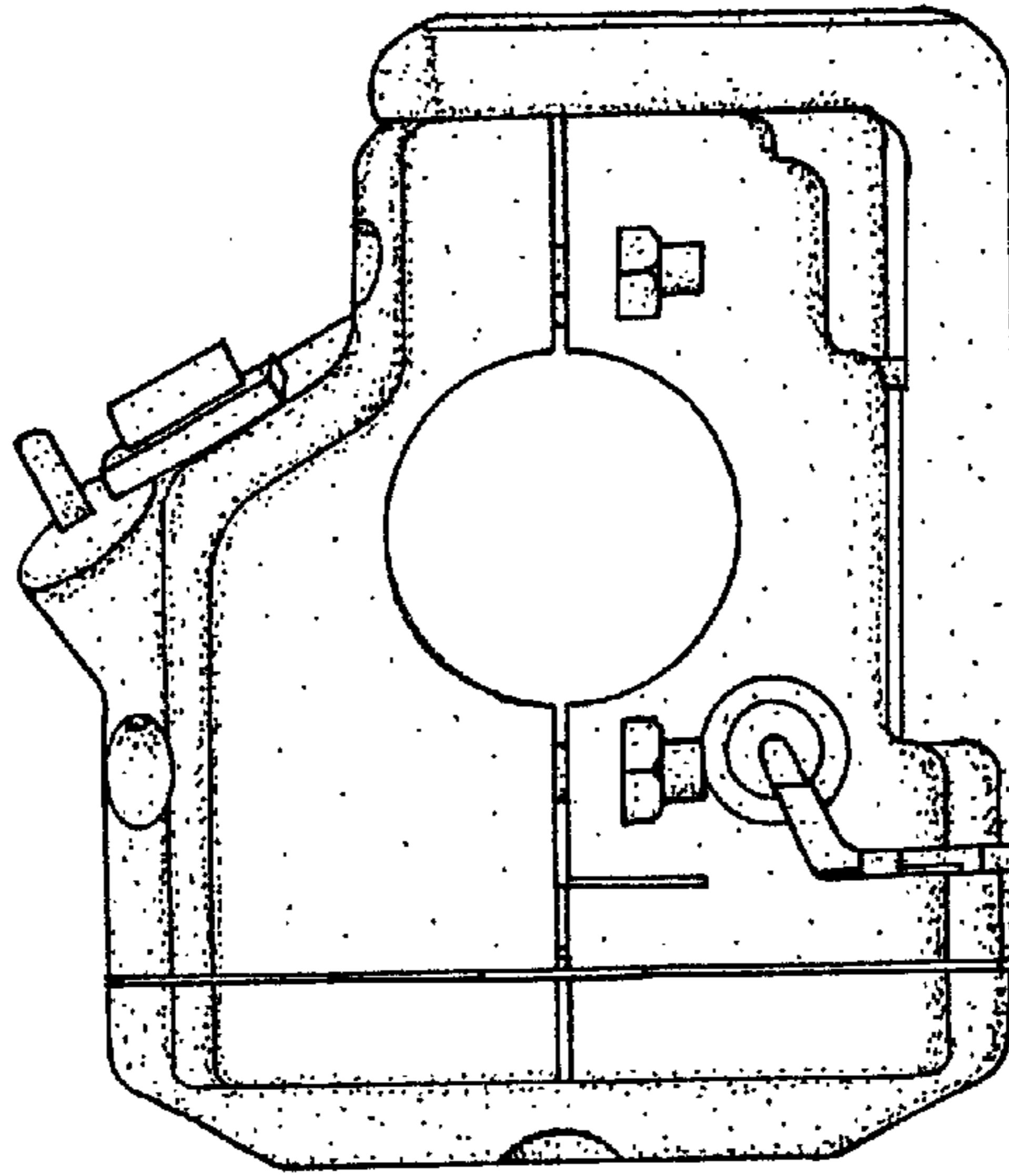


Fig. 3

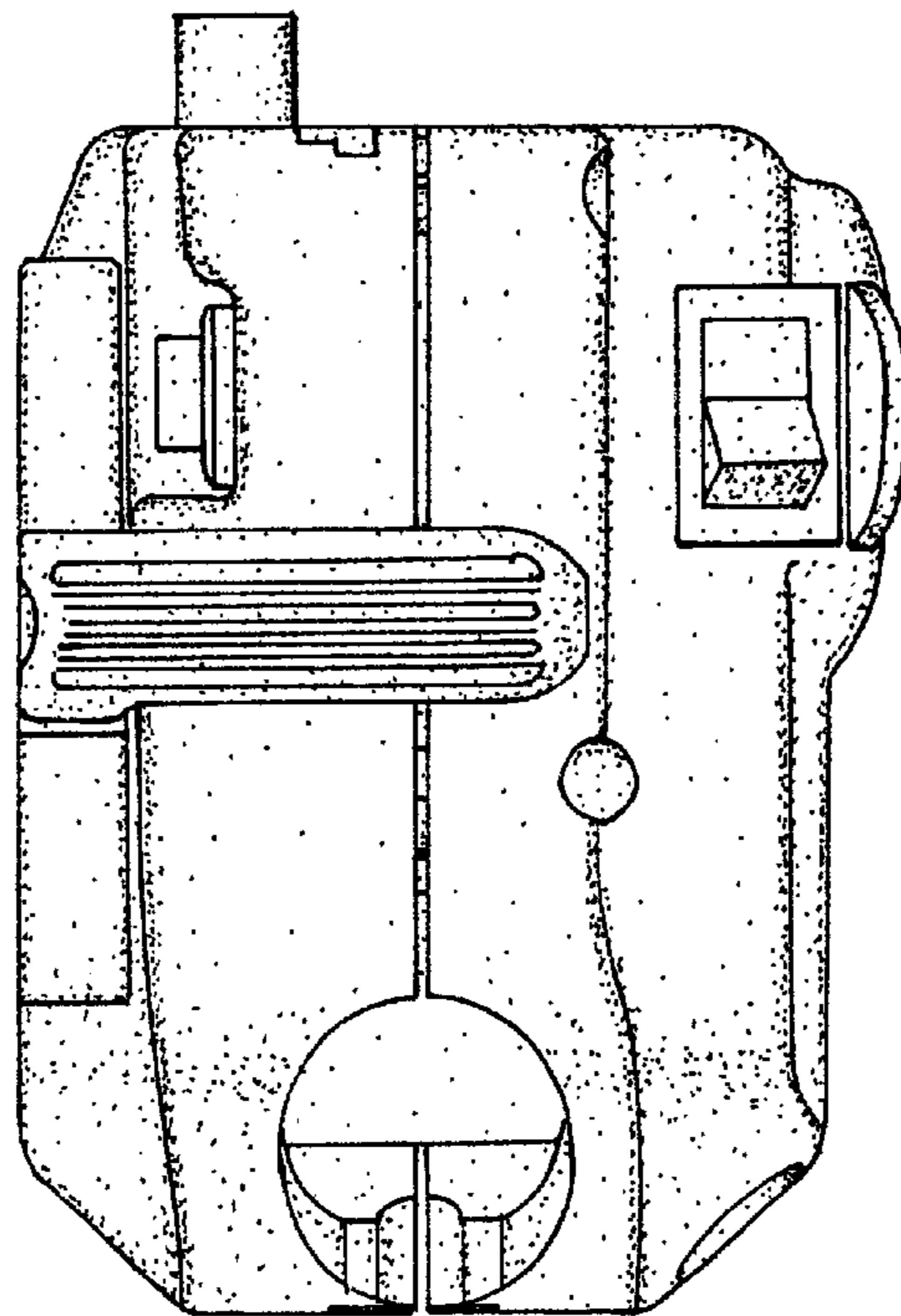


Fig. 4

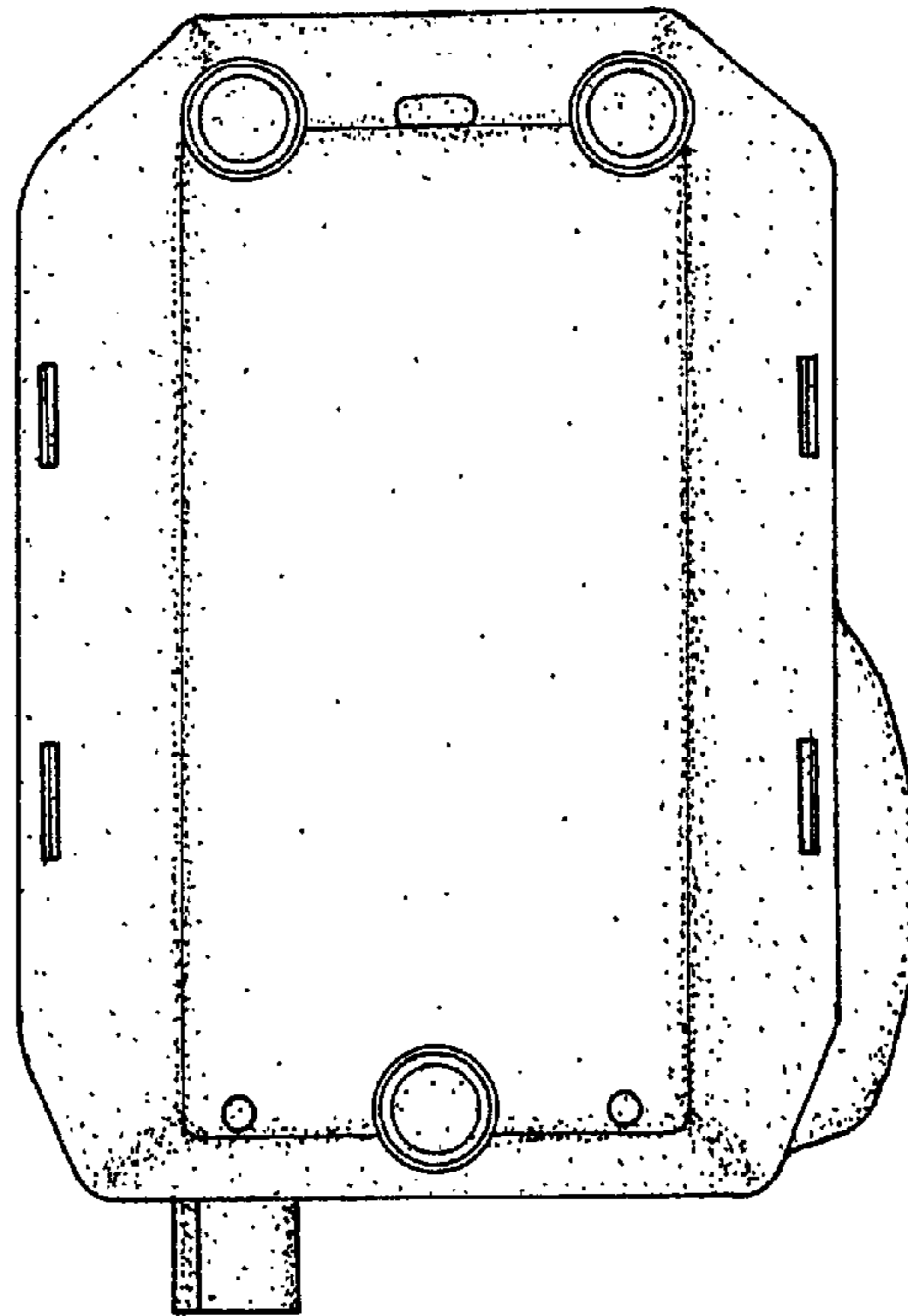


Fig. 5

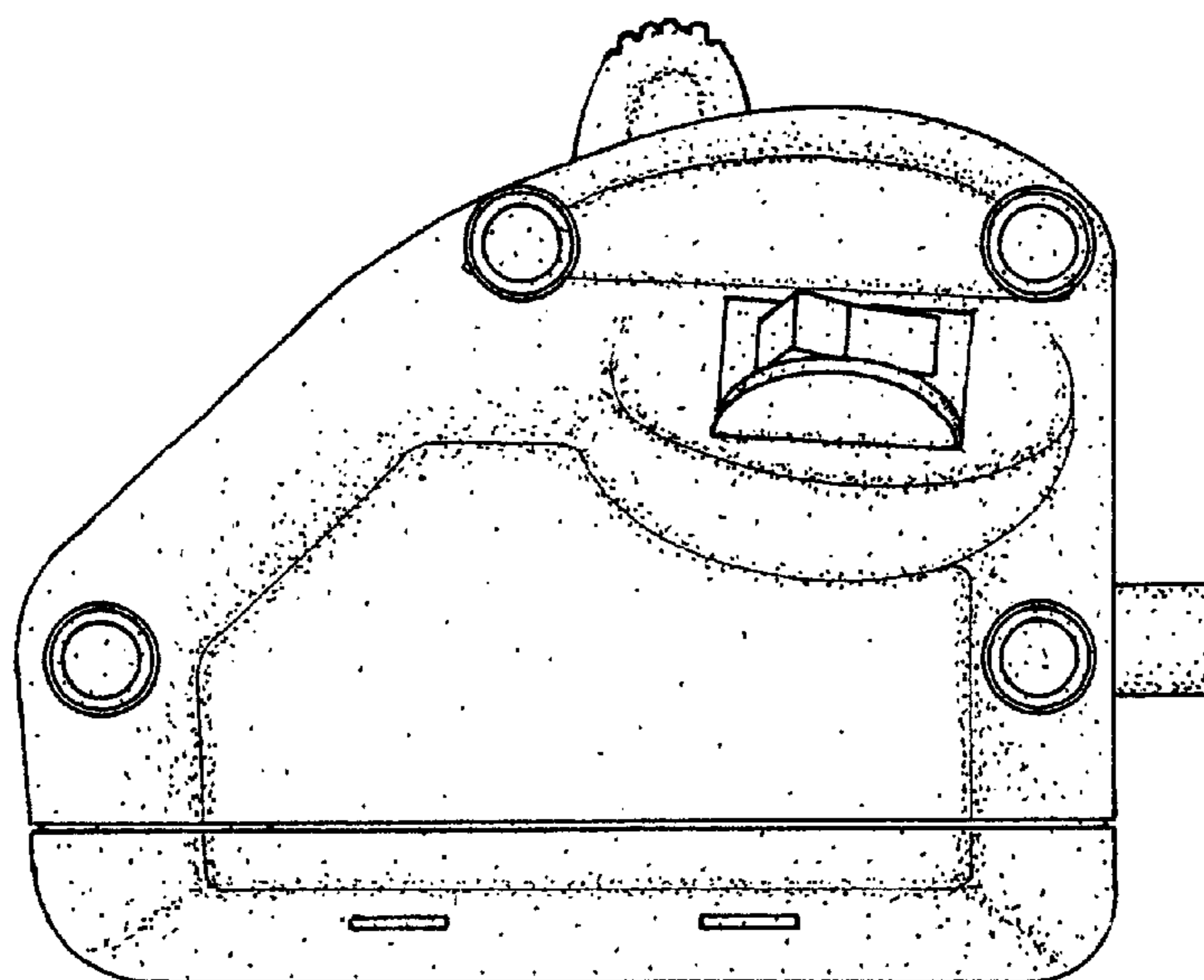


Fig. 6

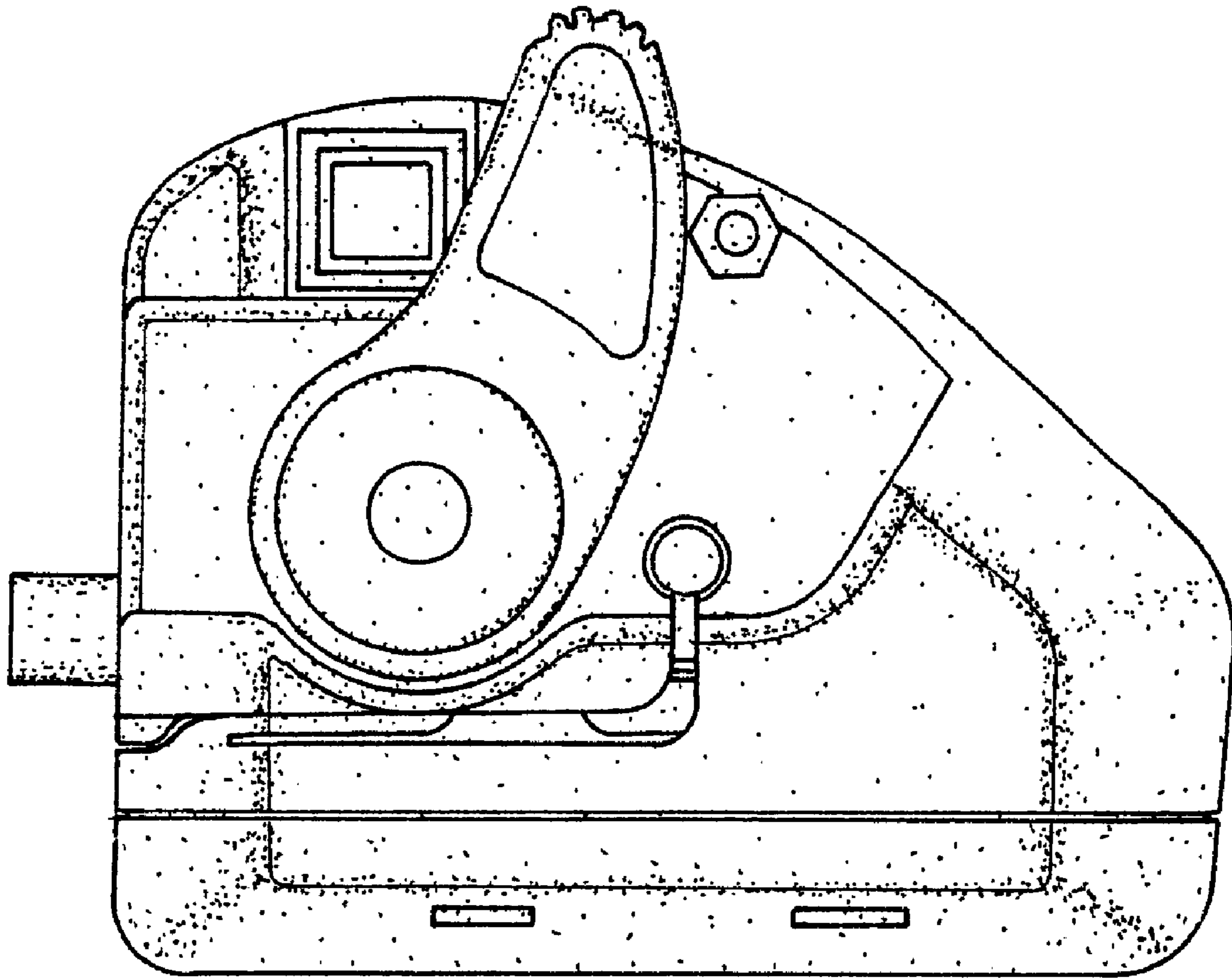


Fig. 7