

US00D521024S

(12) **United States Design Patent**
Giddens

(10) **Patent No.:** **US D521,024 S**

(45) **Date of Patent:** **** May 16, 2006**

(54) **PORTION OF AN ENGINE**

(75) Inventor: **Keith B. Giddens**, Simpsonville, SC
(US)

(73) Assignee: **Liquid Combustion Technology LLC**,
Travelers Rest, SC (US)

(**) Term: **14 Years**

(21) Appl. No.: **29/199,532**

(22) Filed: **Feb. 16, 2004**

(51) **LOC (8) Cl.** **15-01**

(52) **U.S. Cl.** **D15/1**

(58) **Field of Classification Search** D15/1-5;
123/41.7, 50 A, 56, 198 E, 306, 308, 661,
123/667

See application file for complete search history.

(56) **References Cited**

U.S. PATENT DOCUMENTS

D282,071 S	1/1986	Nakamura	
D294,832 S	3/1988	Itou et al.	
4,813,385 A	3/1989	Yamaguchi et al.	
D307,148 S	4/1990	Mikado	
D309,458 S	7/1990	Johnson et al.	
5,072,627 A	12/1991	Horiye et al.	
D396,476 S	7/1998	Shimizu	
D414,498 S	9/1999	Yoshida	
D421,024 S	* 2/2000	Katoh D15/1
D441,714 S	5/2001	Yuzuriha	
6,240,889 B1	6/2001	Kuwabara et al.	
D444,478 S	7/2001	Shimizu	
D449,051 S	10/2001	Miyashita	
6,331,740 B1	12/2001	Morohoshi et al.	
6,362,533 B1	3/2002	Morohoshi et al.	

6,489,690 B1	12/2002	Hatsugai et al.	
6,520,141 B1	2/2003	Ryczek et al.	
6,525,430 B1	2/2003	Asai et al.	
D478,042 S	8/2003	Yaguchi et al.	
D479,244 S	* 9/2003	Kern et al. D15/5
D491,193 S	* 6/2004	Davis D15/1
D493,806 S	* 8/2004	Csiki D15/1
2003/0154934 A1	8/2003	Nakamizo et al.	
2003/0182823 A1	10/2003	Sanders et al.	

* cited by examiner

Primary Examiner—Caron D. Veynar

Assistant Examiner—Maurice Stevens

(74) *Attorney, Agent, or Firm*—Alston & Bird LLP

(57) **CLAIM**

The ornamental design for a portion of an engine, as shown and described.

DESCRIPTION

FIG. 1 is a top plan view of a portion of an engine according to the present design;

FIG. 2 is a rear elevation view of the portion of an engine shown in FIG. 1;

FIG. 3 is a front elevation view of the portion of an engine shown in FIG. 1;

FIG. 4 is a left side elevation view of the portion of an engine shown in FIG. 1;

FIG. 5 is a right side elevation view of the portion of an engine shown in FIG. 1; and,

FIG. 6 is a perspective view of the portion of an engine shown in FIG. 1.

The broken lines shown herein are for illustrative purposes only and form no part of the claimed design.

1 Claim, 6 Drawing Sheets

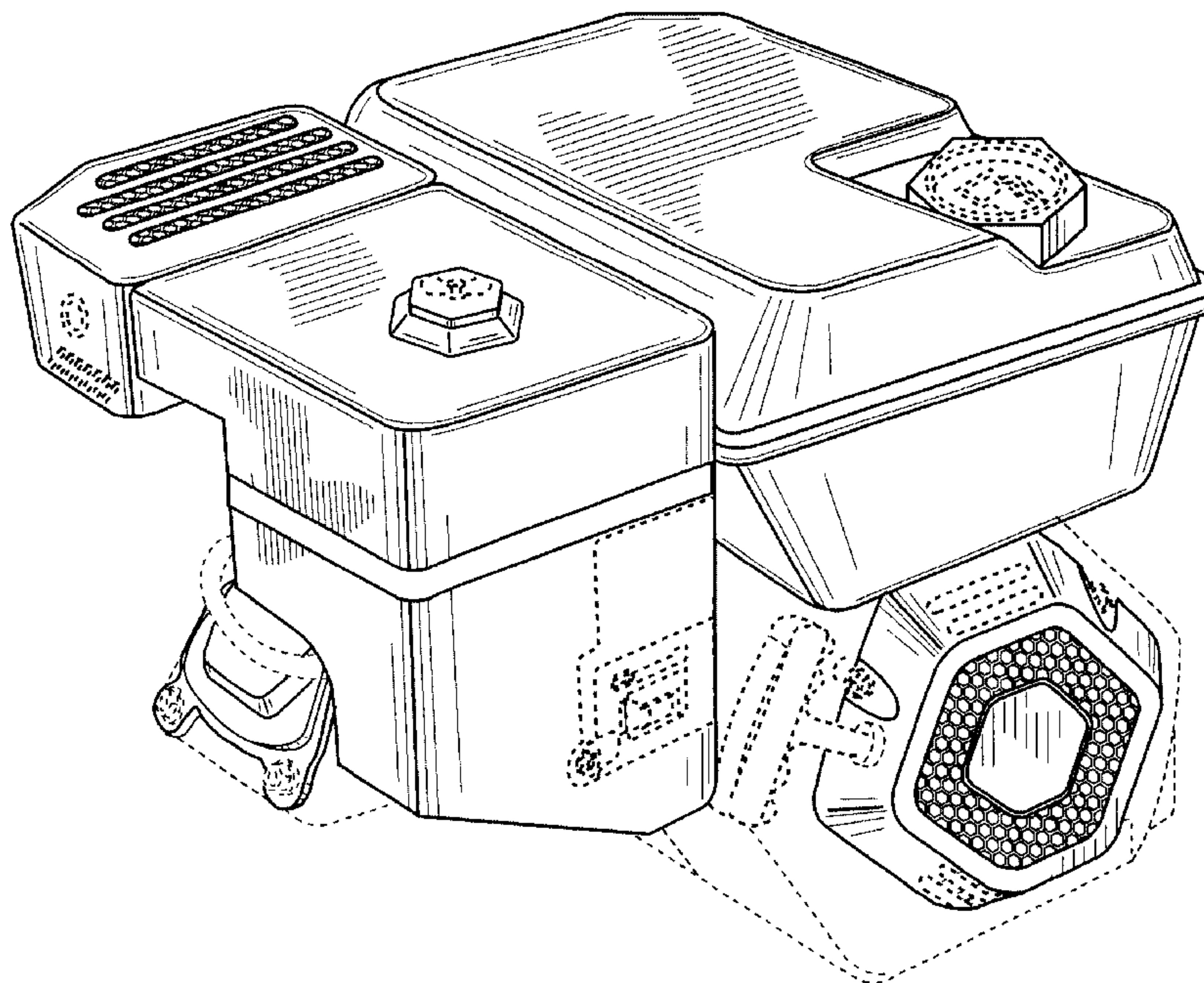
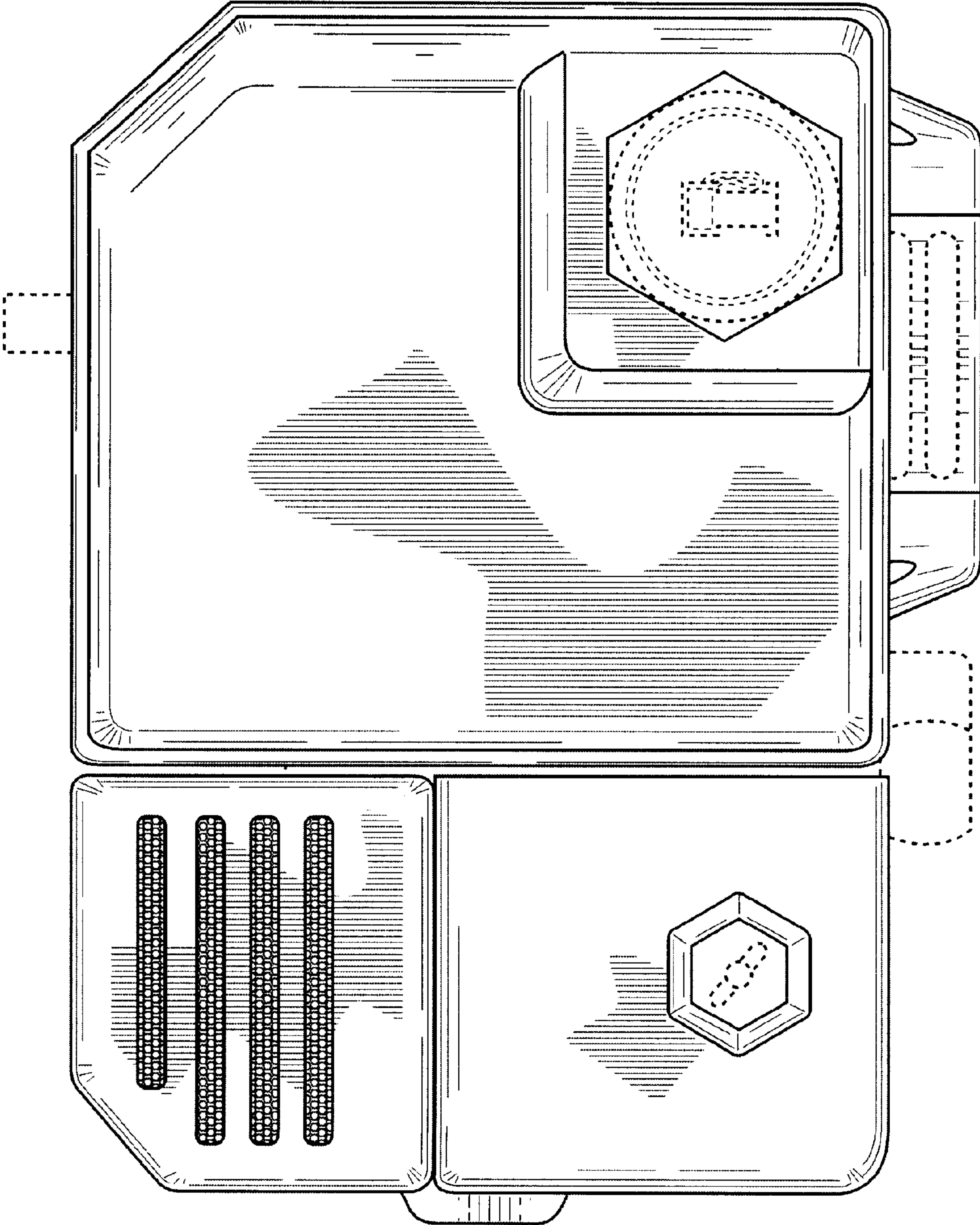


FIG. 1



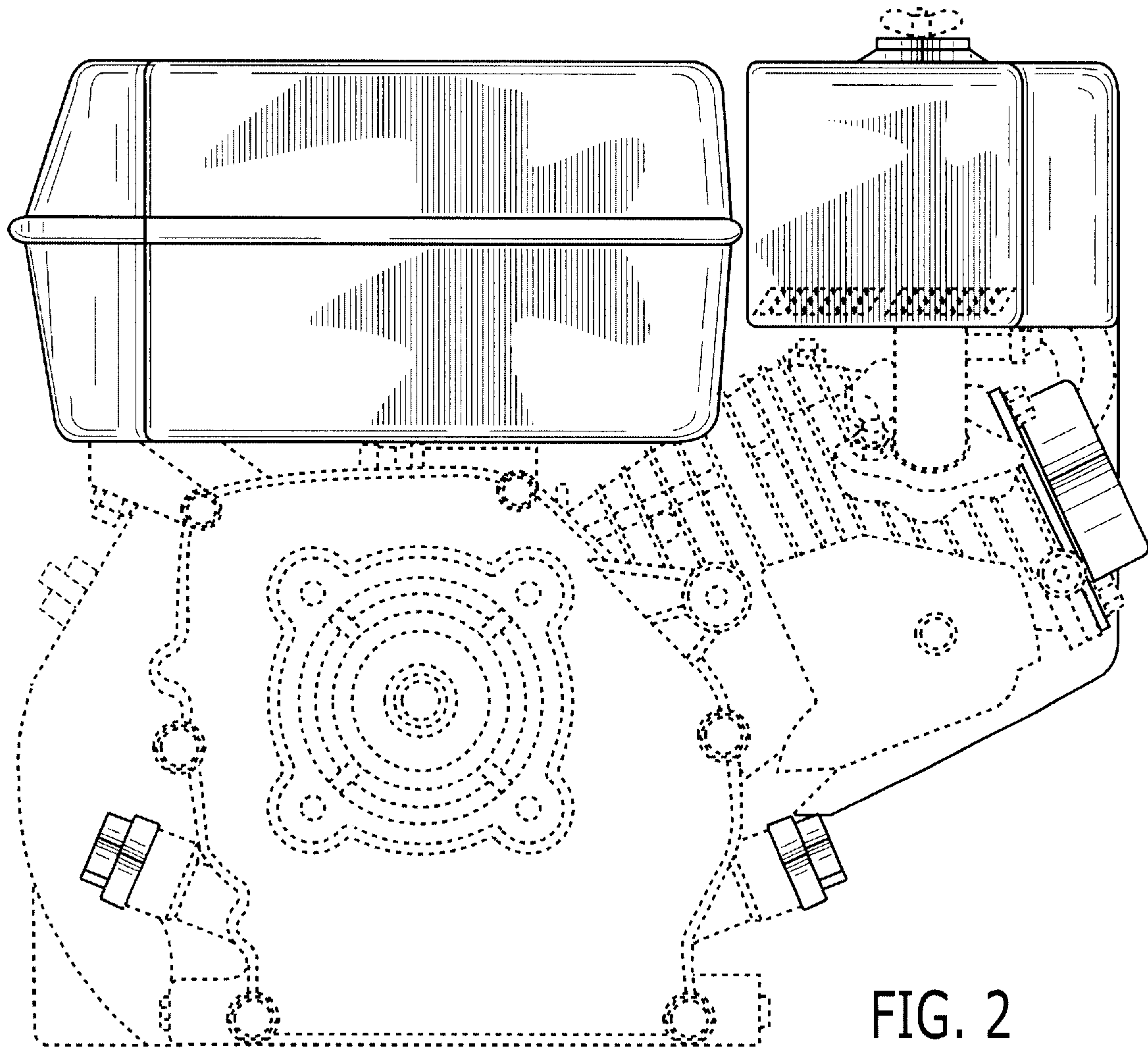


FIG. 2

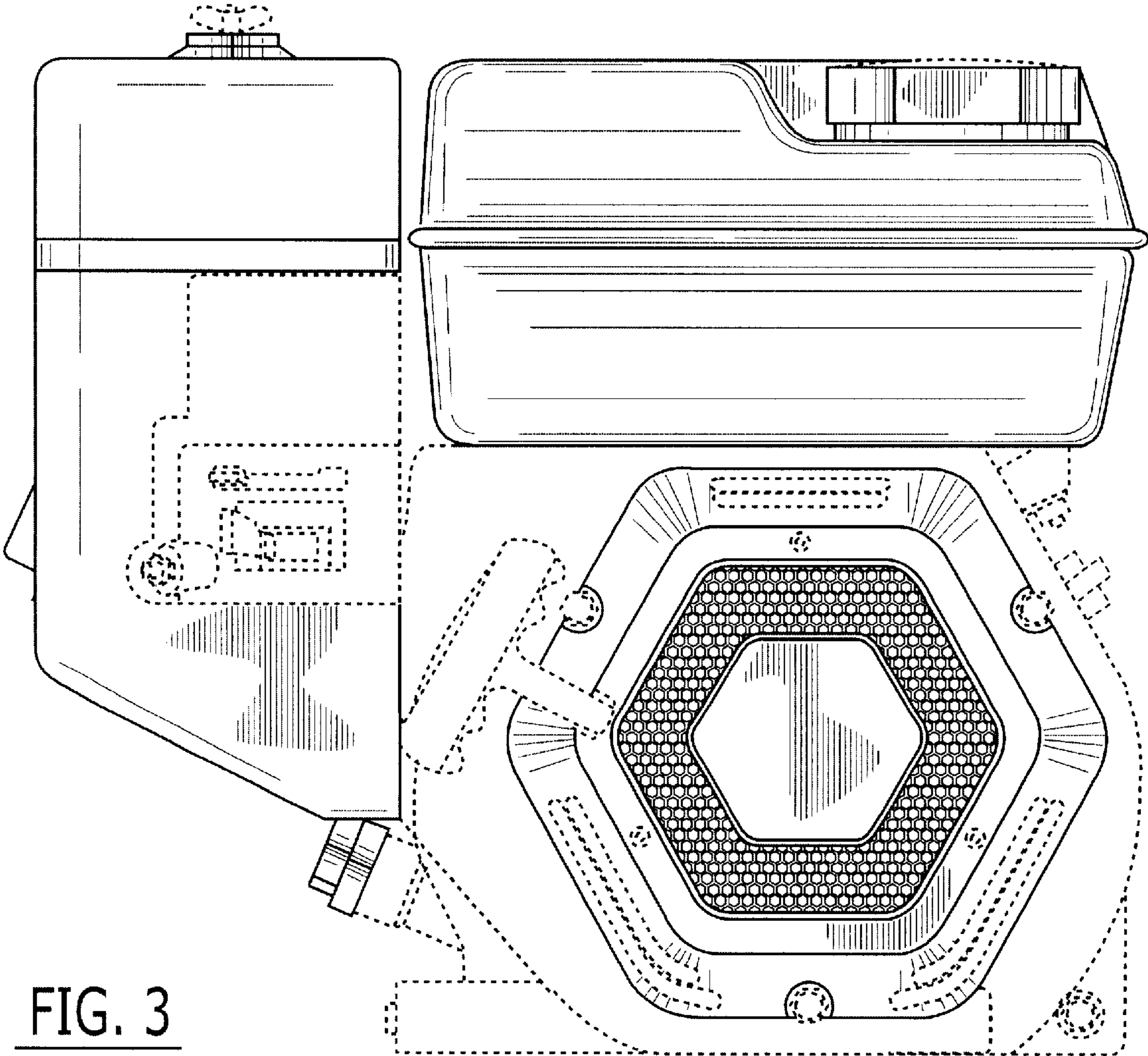


FIG. 3

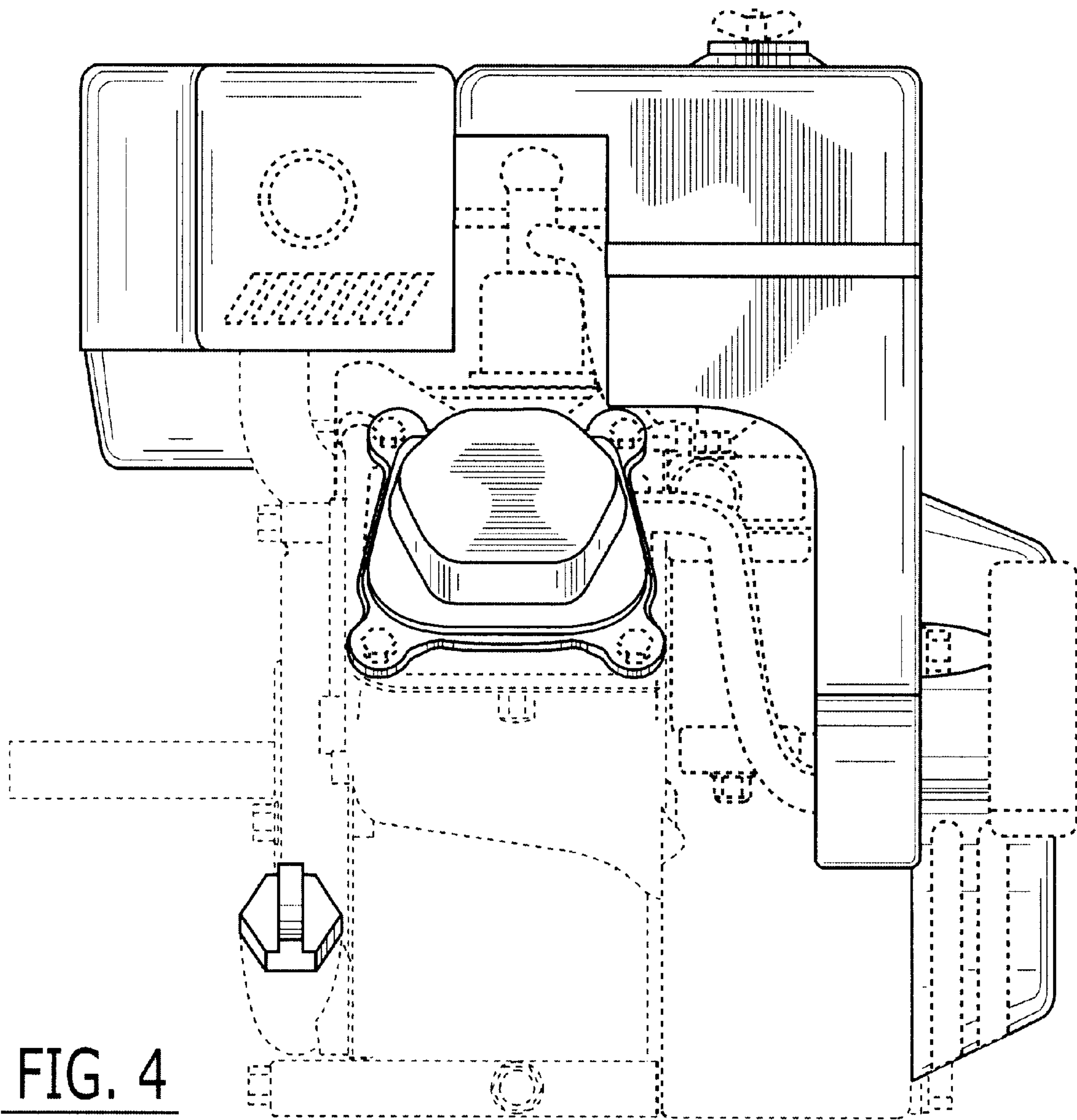


FIG. 4

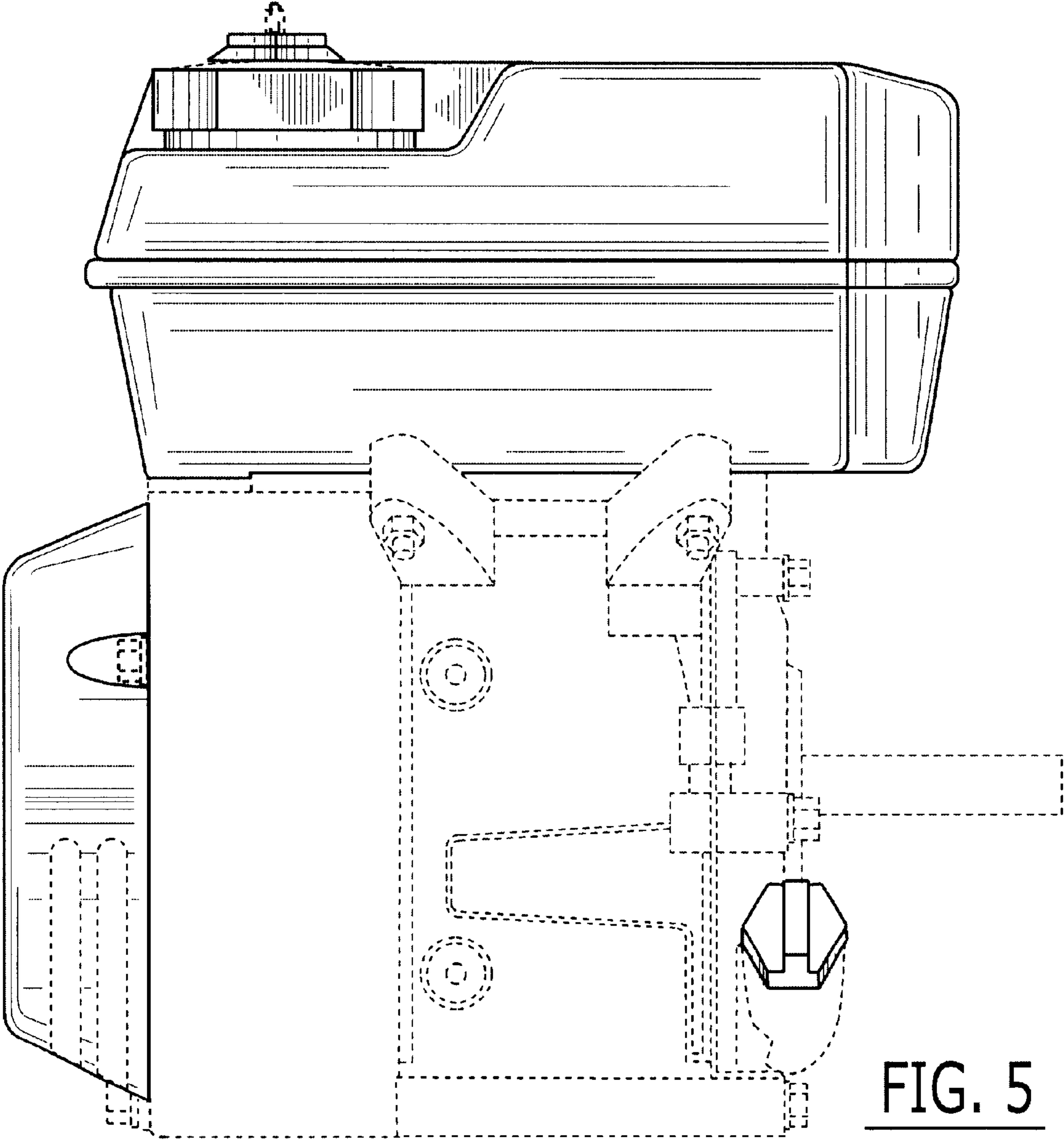


FIG. 5

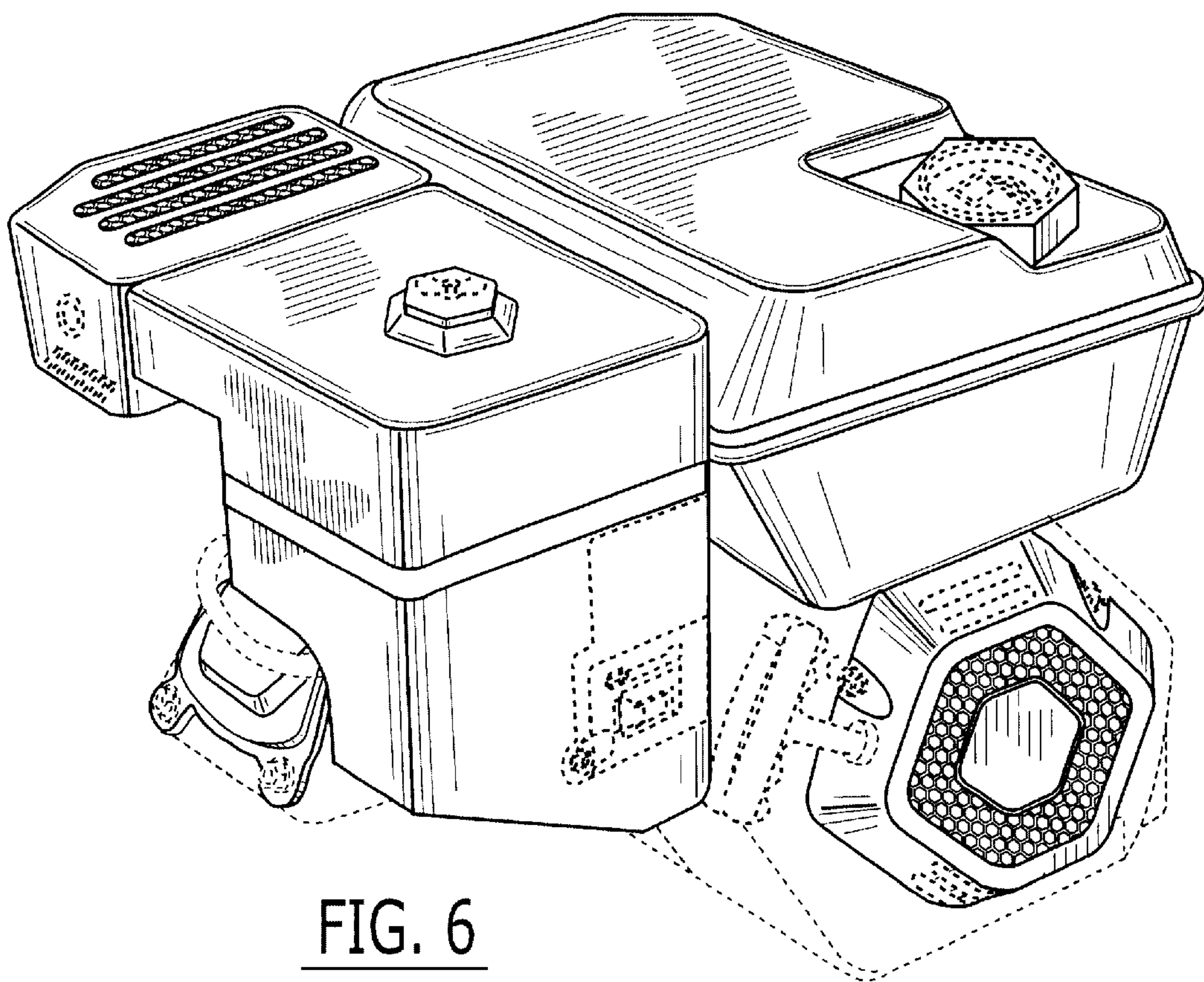


FIG. 6