



US00D521008S

(12) **United States Design Patent**  
**Huang et al.**

(10) **Patent No.:** **US D521,008 S**

(45) **Date of Patent:** **\*\* May 16, 2006**

(54) **COMPUTER FRONT BEZEL**

D431,825 S \* 10/2000 Jean et al. .... D14/444  
D439,254 S \* 3/2001 Zhao ..... D14/441

(75) Inventors: **Xia Huang**, Shenzhen (CN); **Chun-Chi Liang**, Tu-Cheng (TW); **Yun-Dong Xu**, Shenzhen (CN); **Yu Wang**, Shenzhen (CN)

\* cited by examiner

*Primary Examiner*—Freda S. Nunn  
(74) *Attorney, Agent, or Firm*—Wei Te Chung

(73) Assignee: **Hon Hai Precision Ind. Co., Ltd.**, Taipei Hsien (TW)

(57) **CLAIM**

(\*\*) Term: **14 Years**

The ornamental design for a computer front bezel, as shown and described.

(21) Appl. No.: **29/231,825**

**DESCRIPTION**

(22) Filed: **Jun. 9, 2005**

FIG. 1 is a perspective view of a computer front bezel of our new design;

(30) **Foreign Application Priority Data**

Mar. 24, 2005 (CN) ..... 2005 3 0055290

FIG. 2 is a front elevational view thereof;

(51) **LOC (8) Cl.** ..... **14-02**

(52) **U.S. Cl.** ..... **D14/444**

FIG. 3 is a rear elevational view thereof;

(58) **Field of Classification Search** ..... D14/441-446;

D13/162, 184, 199; 312/223.2; 360/99.01-99.12;

361/680-686, 690-696; 369/34.01, 36.01

See application file for complete search history.

FIG. 4 is a left side elevational view thereof;

FIG. 5 is a right side elevational view thereof;

FIG. 6 is a top plan view thereof;

FIG. 7 is a bottom plan view thereof; and,

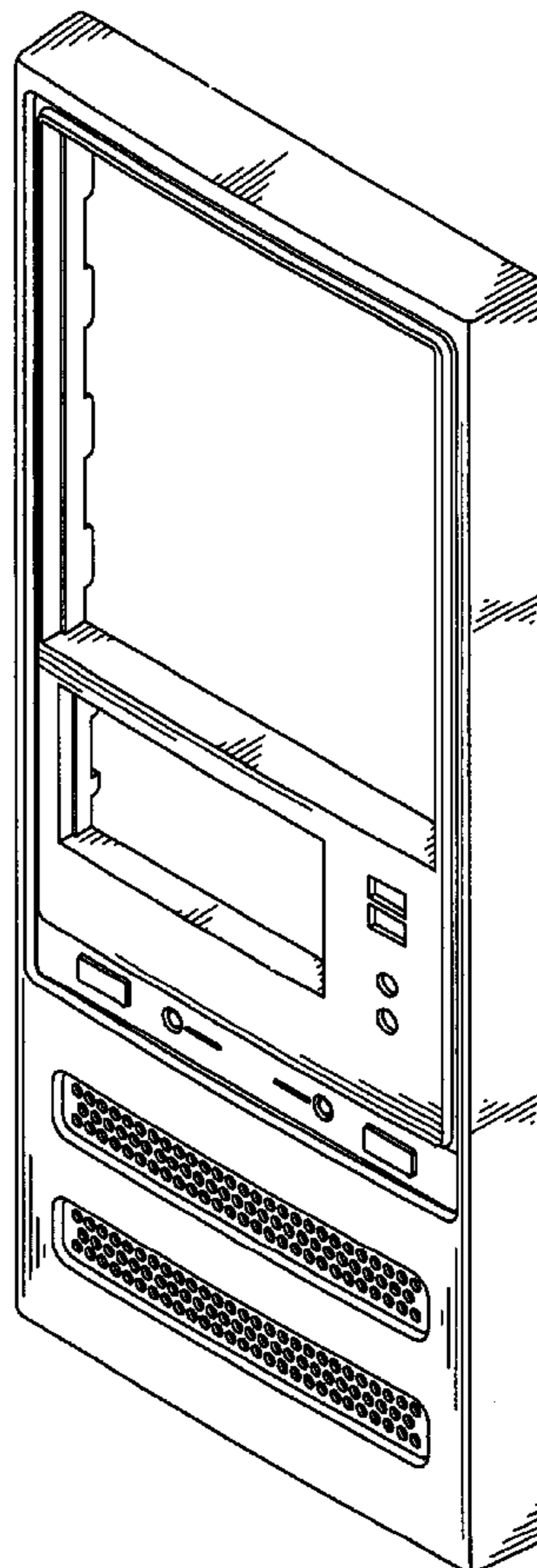
FIG. 8 is a perspective view thereof being mounted to a computer case; broken lines shown in FIG. 8 are for illustrative purposes only and form no part of the claimed design.

(56) **References Cited**

**U.S. PATENT DOCUMENTS**

5,169,218 A \* 12/1992 Chu ..... 312/223.2

**1 Claim, 6 Drawing Sheets**



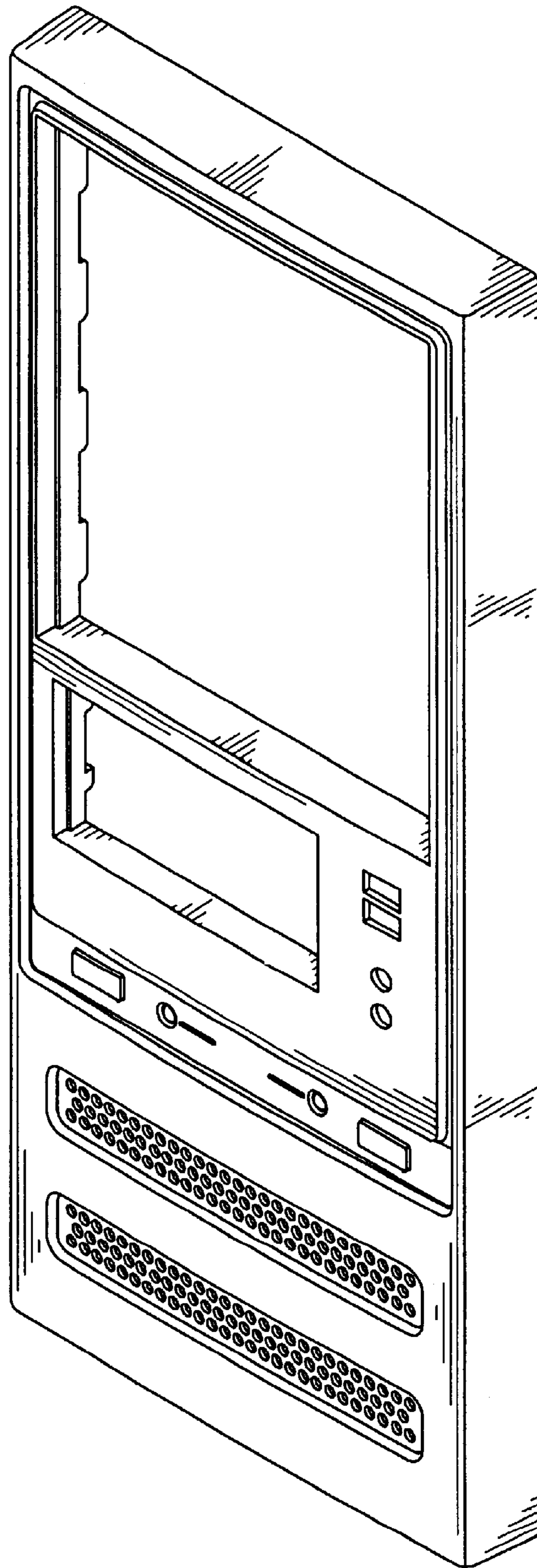


FIG. 1

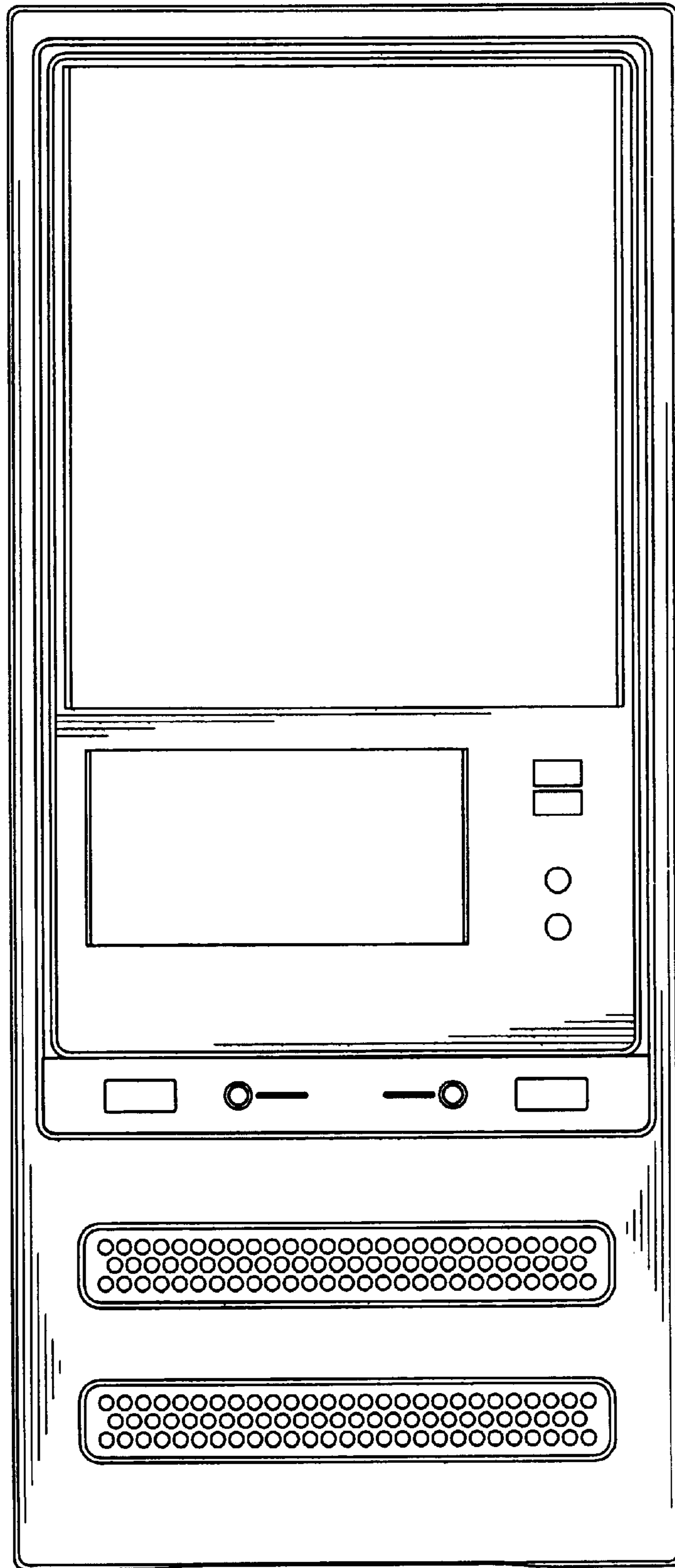


FIG. 2

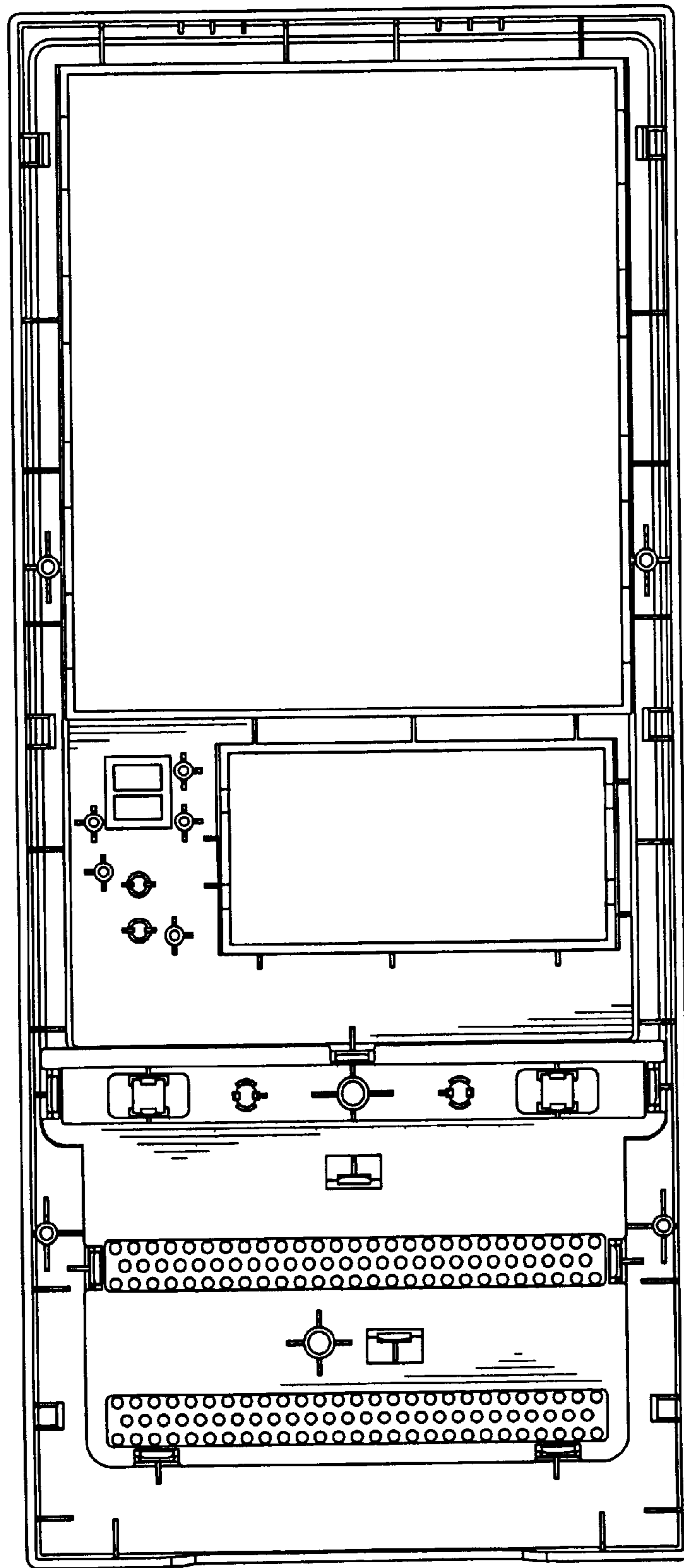


FIG. 3

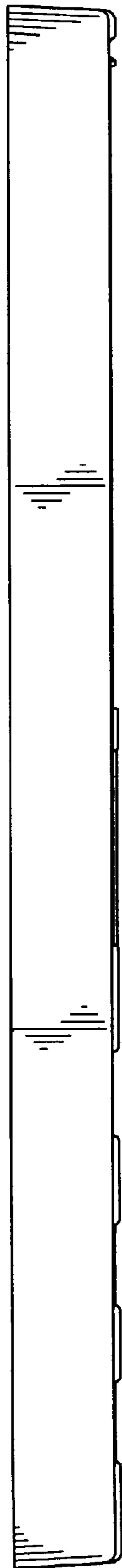


FIG. 4

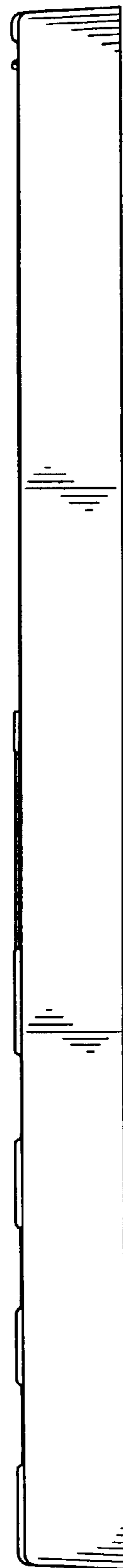


FIG. 5

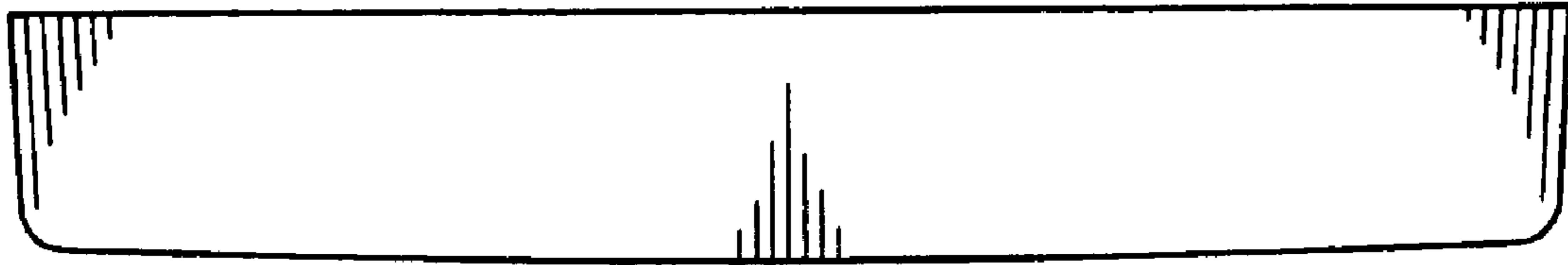


FIG. 6

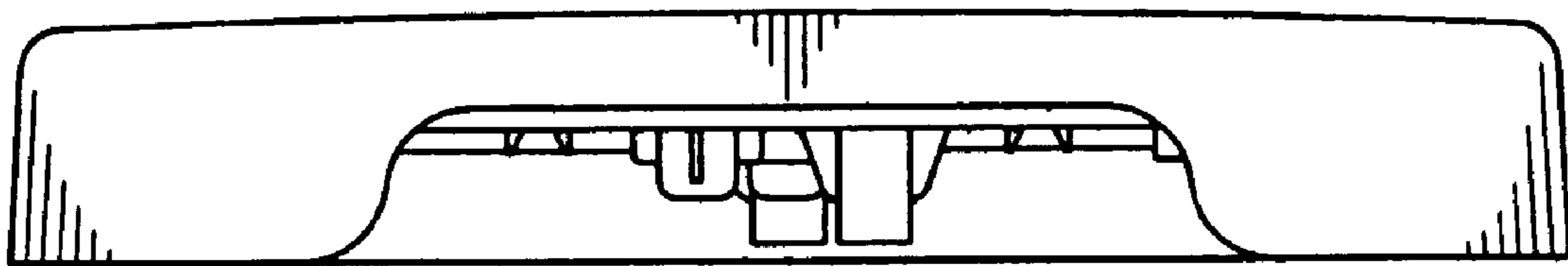


FIG. 7

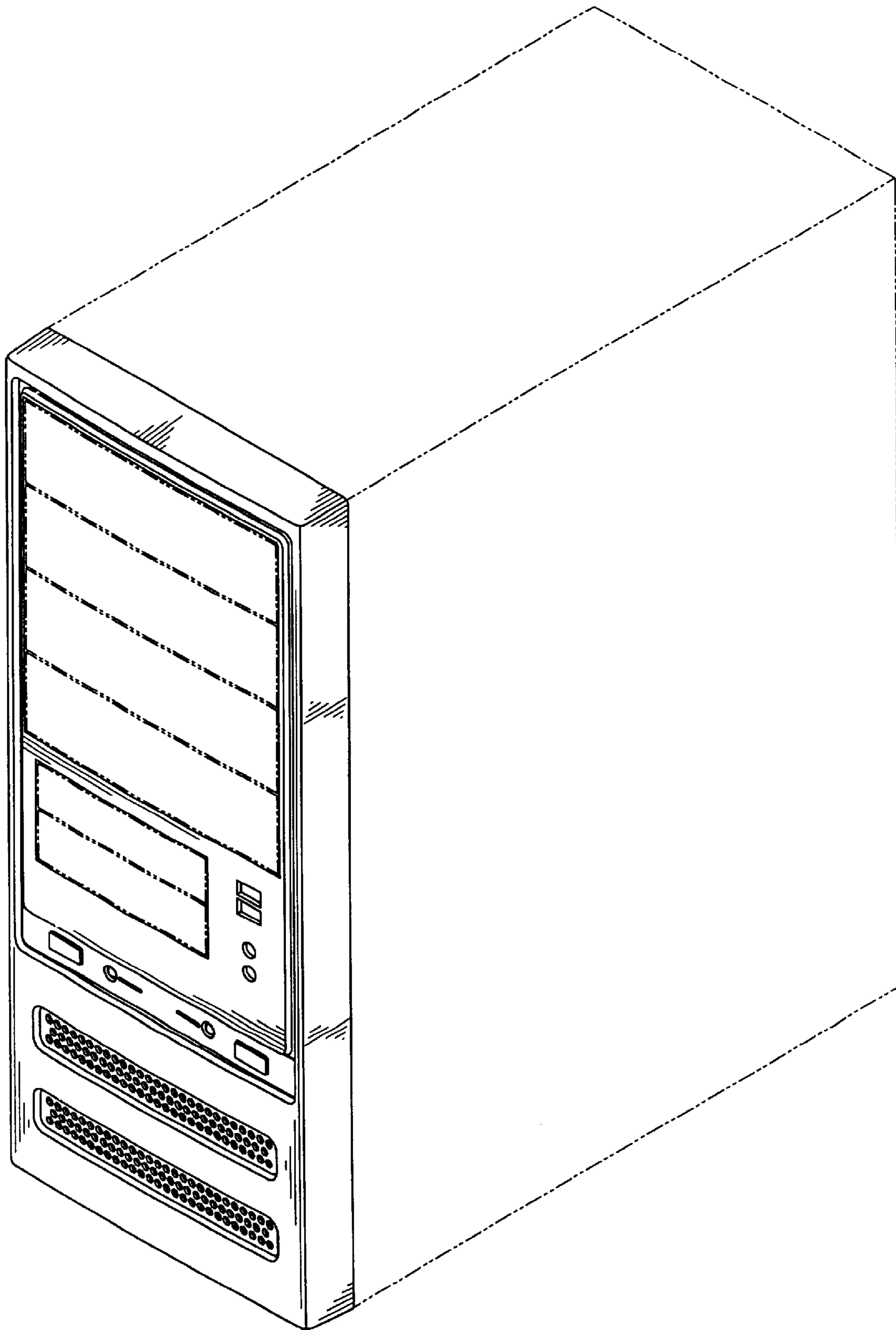


FIG. 8