



US00D521006S

(12) **United States Design Patent**
Xiao et al.

(10) **Patent No.:** **US D521,006 S**

(45) **Date of Patent:** **** May 16, 2006**

(54) **COMPUTER FRONT BEZEL**

D431,825 S * 10/2000 Jean et al. D14/444
D439,254 S * 3/2001 Zhao D14/441

(75) Inventors: **Xin-Jian Xiao**, Shenzhen (CN);
Chun-Chi Liang, Tu-Cheng (TW);
Yun-Dong Xu, Shenzhen (CN)

* cited by examiner

(73) Assignee: **Hon Hai Precision Ind. Co., Ltd.**,
Taipei Hsien (TW)

Primary Examiner—Freda S. Nunn
(74) *Attorney, Agent, or Firm*—Wei Te Chung

(**) Term: **14 Years**

(57) **CLAIM**

The ornamental design for a computer front bezel, as shown and described.

(21) Appl. No.: **29/229,928**

(22) Filed: **May 12, 2005**

DESCRIPTION

(30) **Foreign Application Priority Data**

Mar. 10, 2005 (CN) 2005 3 0053913

(51) **LOC (8) Cl.** **14-02**

(52) **U.S. Cl.** **D14/444**

(58) **Field of Classification Search** D14/441-446;
D13/162, 184, 199; 312/223.2; 360/99.01-99.12;
361/680-686, 69-696; 369/34.01, 36.01
See application file for complete search history.

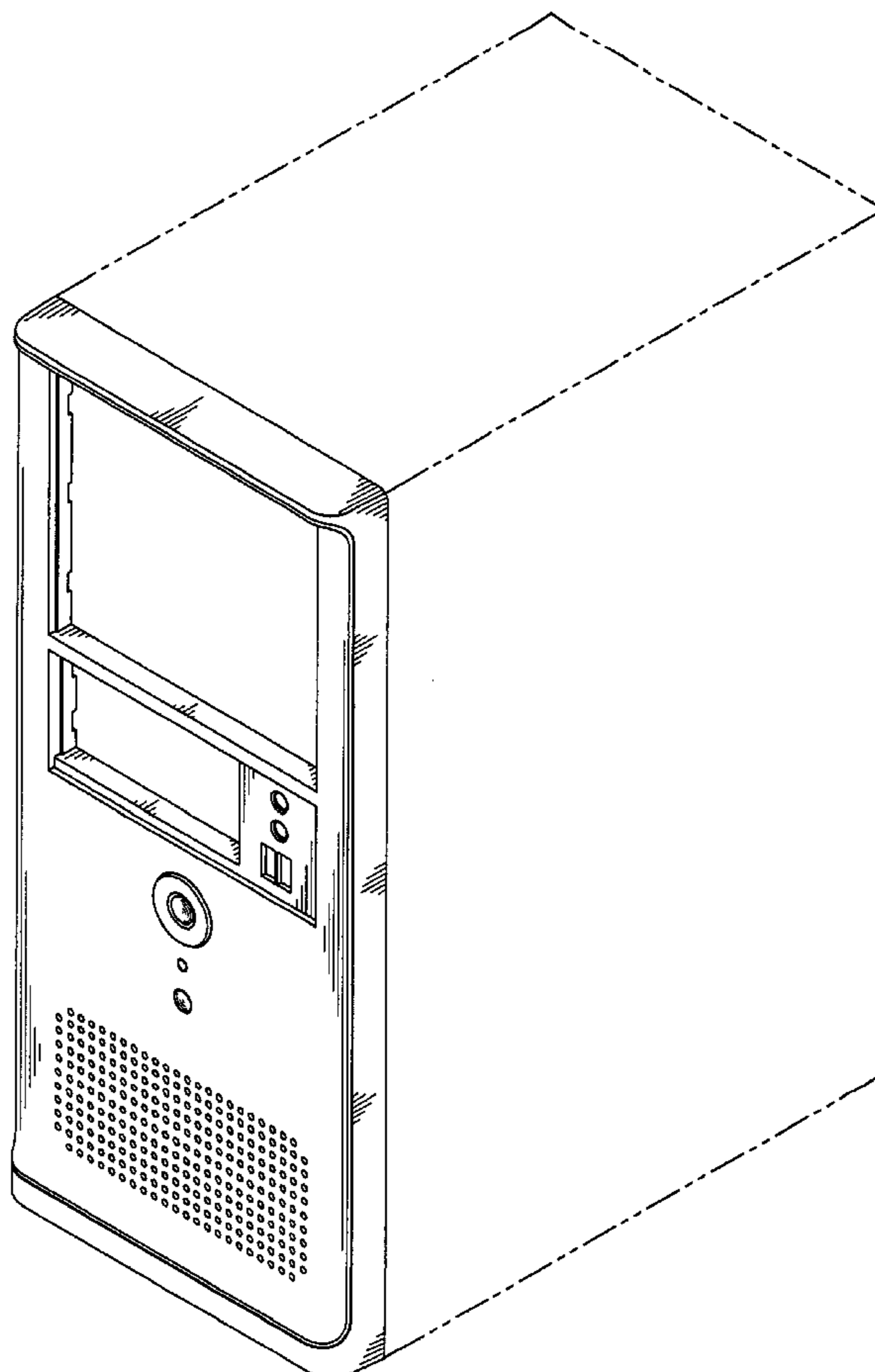
FIG. 1 is a perspective view of a computer front bezel showing our new design mounted on a computer enclosure; FIG. 2 is a front elevational view thereof; FIG. 3 is a rear elevational view thereof; FIG. 4 is a left side elevational view thereof; FIG. 5 is a right side elevational view thereof; FIG. 6 is a top plan view thereof; and, FIG. 7 is a bottom plan view thereof. The broken lines in the views are for illustrative environmental purposes only and form no part of the claimed design.

(56) **References Cited**

U.S. PATENT DOCUMENTS

5,169,218 A * 12/1992 Chu 312/223.2

1 Claim, 7 Drawing Sheets



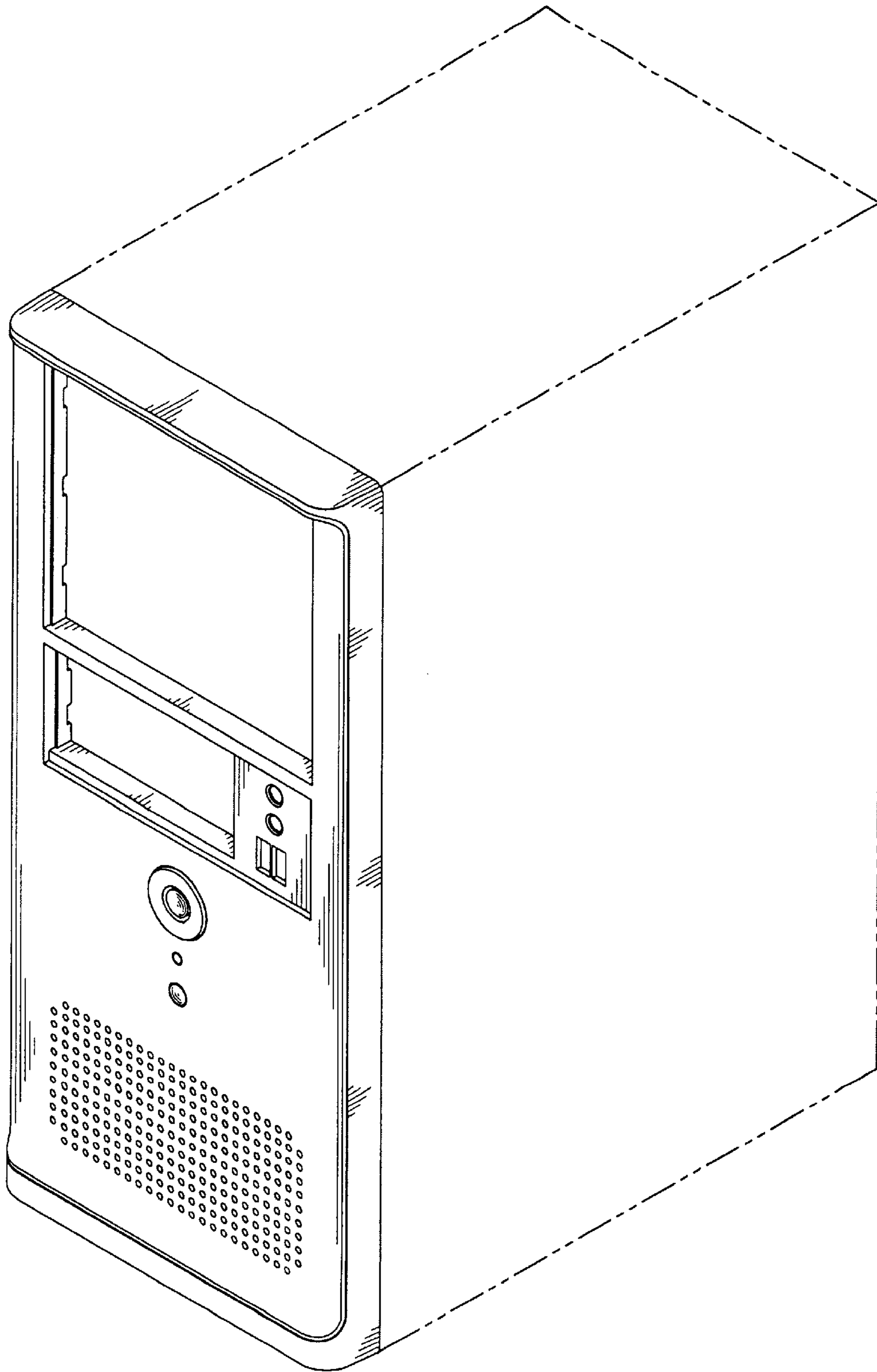


FIG. 1

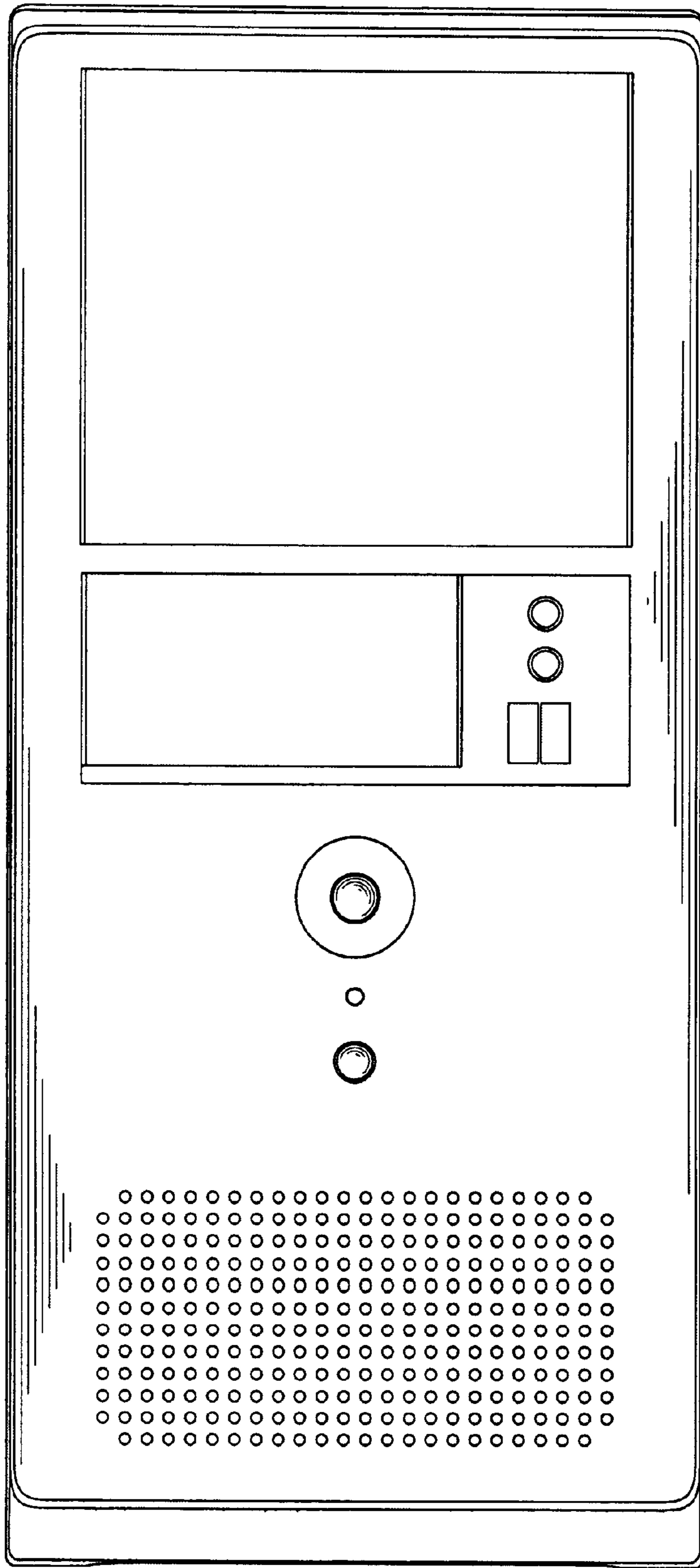


FIG. 2

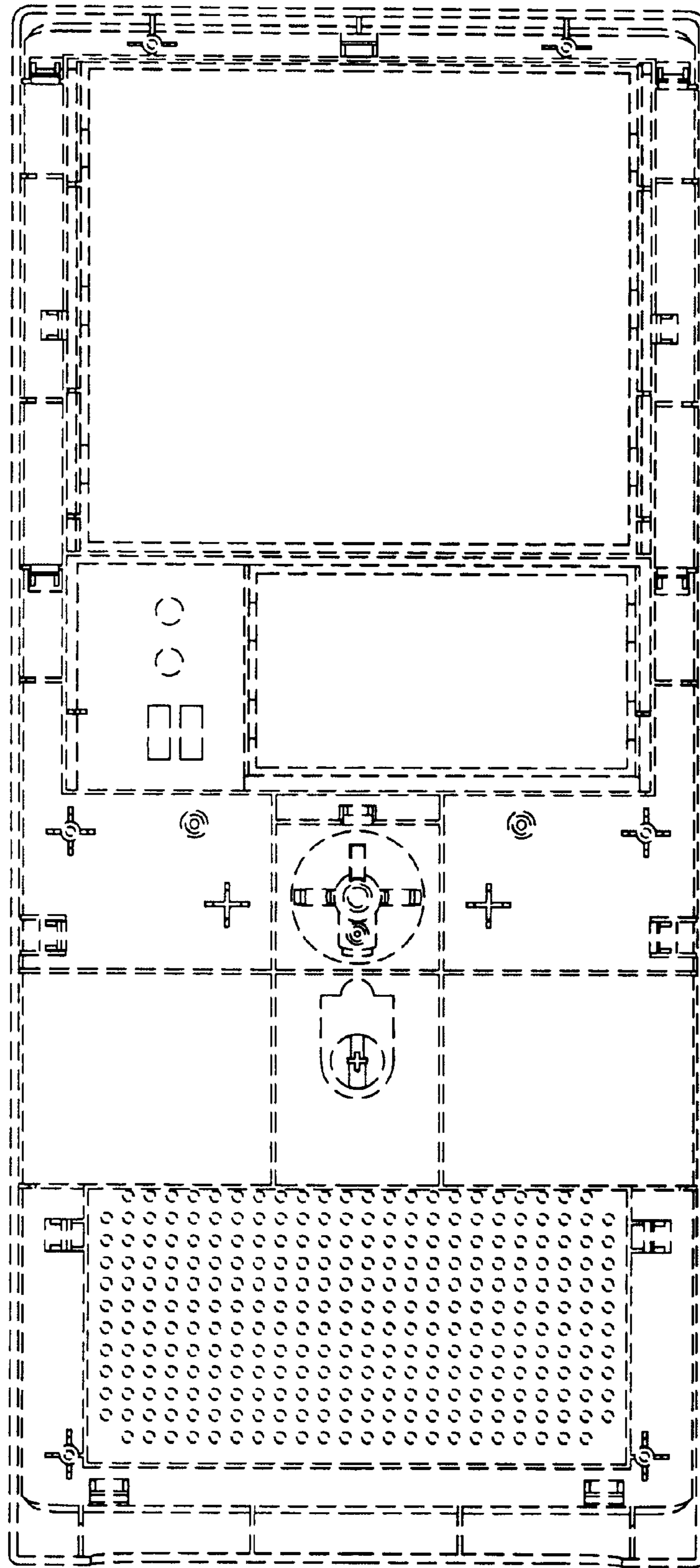


FIG. 3

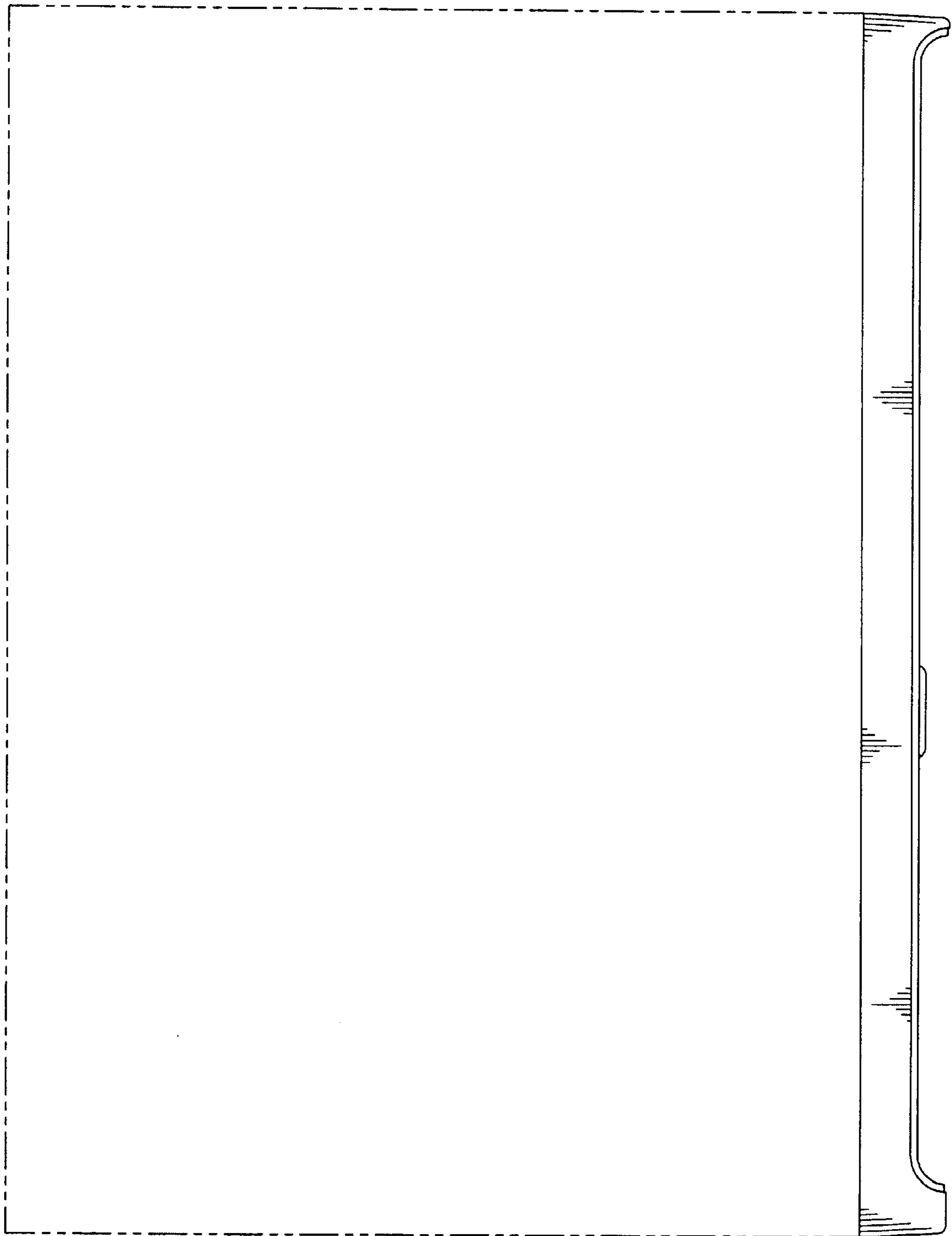


FIG. 4

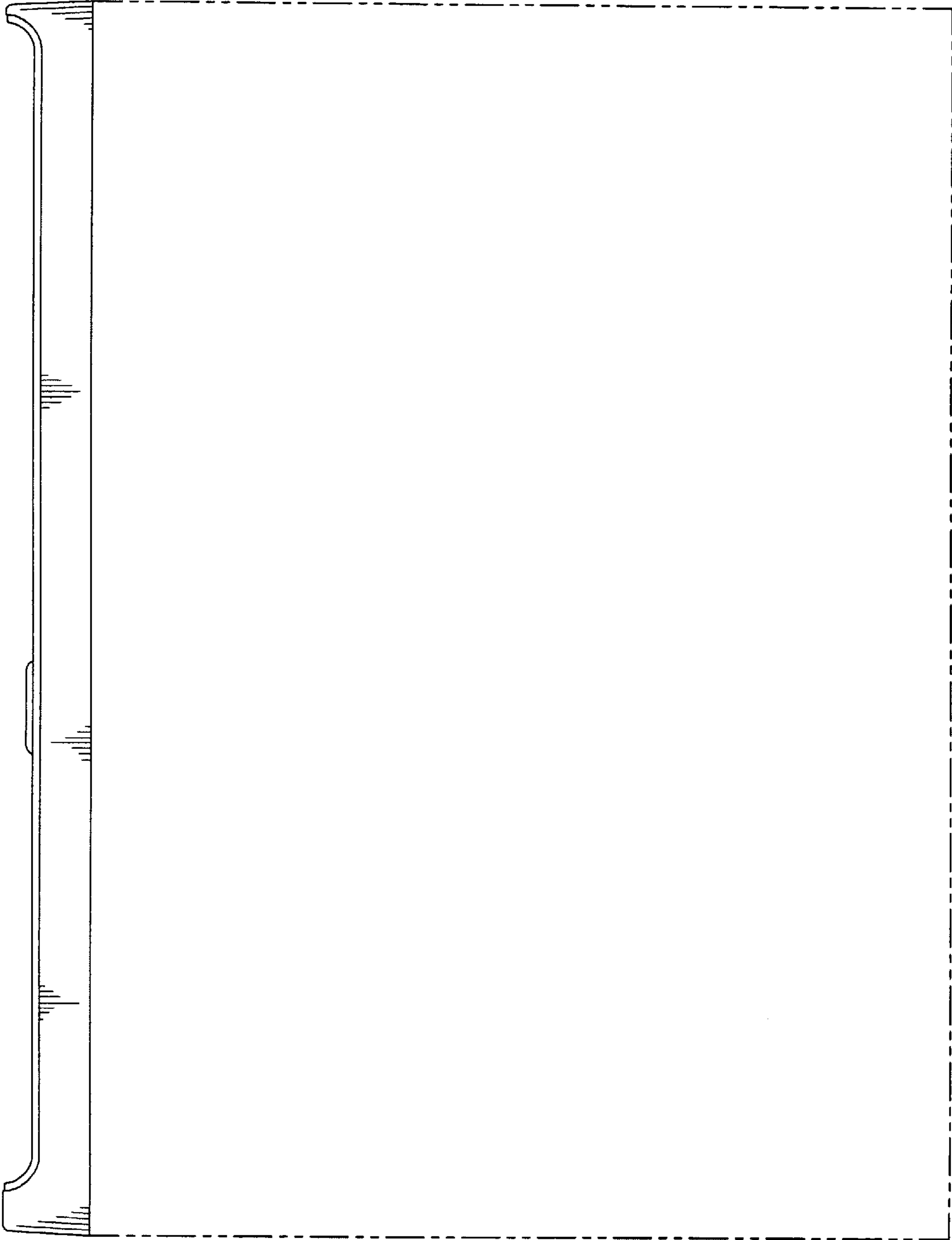


FIG. 5



FIG. 6

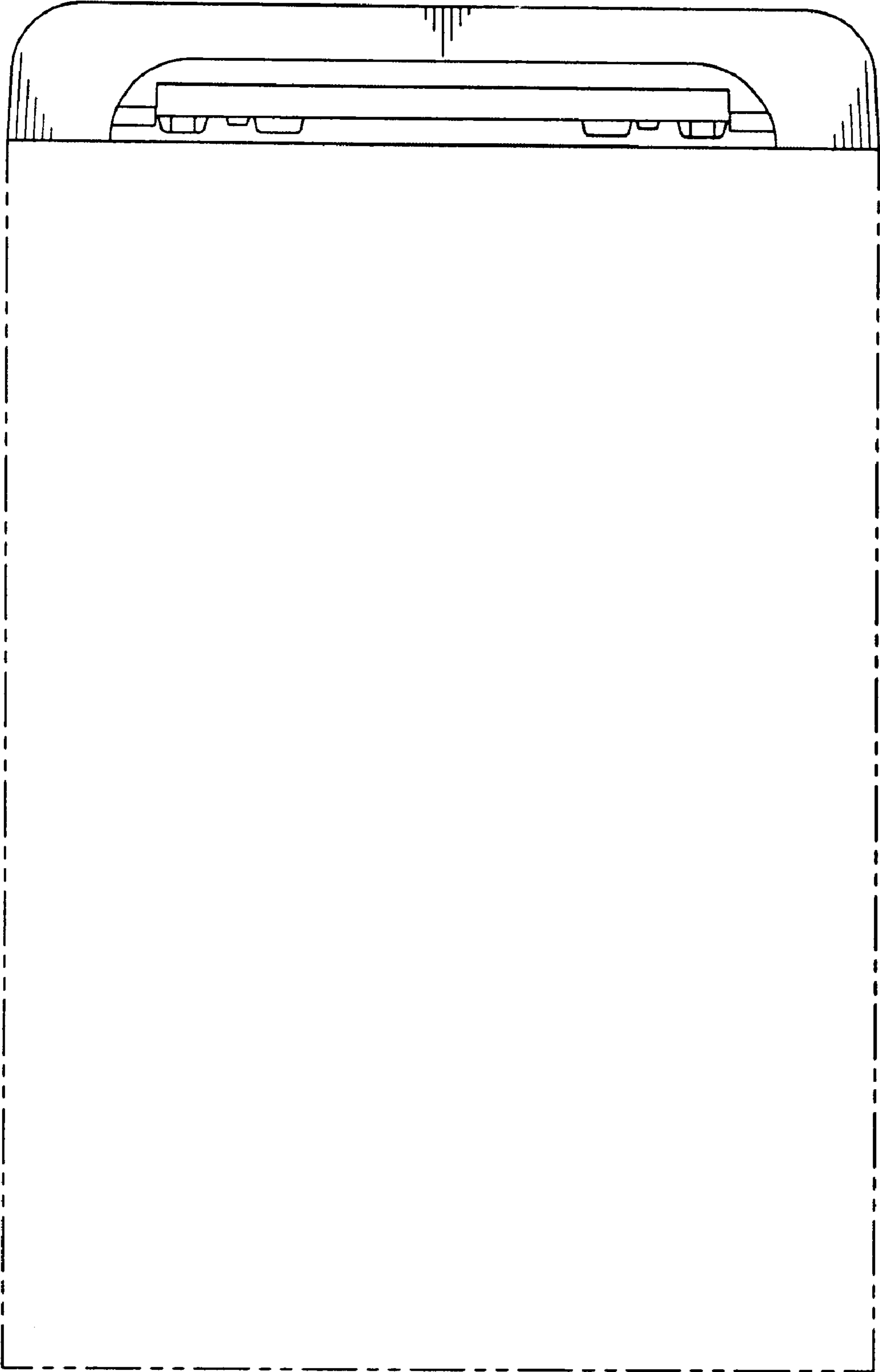


FIG. 7