

US00D521004S

(12) **United States Design Patent**
Suzuki

(10) **Patent No.:** **US D521,004 S**

(45) **Date of Patent:** **** May 16, 2006**

(54) **COMPUTER MOUSE**

(75) Inventor: **Hitoshi Suzuki**, Hachioji (JP)

(73) Assignee: **Kabushiki Kaisha Hiromori** (JP)

(**) Term: **14 Years**

(21) Appl. No.: **29/207,033**

(22) Filed: **Jun. 7, 2004**

(51) **LOC (8) Cl.** **14-02**

(52) **U.S. Cl.** **D14/408; D14/402**

(58) **Field of Classification Search** D14/402-410,
D14/417, 432; 200/5 R, 5 A, 6 R, 6 A; 273/148 B;
345/156-167; 74/471 XY; 463/36-38
See application file for complete search history.

(56) **References Cited**

U.S. PATENT DOCUMENTS

3,835,464	A	*	9/1974	Rider	345/164
D282,848	S	*	3/1986	Depraz	D10/63
D300,324	S	*	3/1989	Akagi et al.	D14/408
5,280,276	A	*	1/1994	Kwok	345/167
5,379,035	A	*	1/1995	Glover	340/968
D418,125	S	*	12/1999	Jobs et al.	D14/408

6,016,138	A	*	1/2000	Harskamp et al.	345/163
6,104,383	A	*	8/2000	Shipman	345/163
D434,038	S	*	11/2000	Ho	D14/408
6,147,679	A	*	11/2000	Numata et al.	345/163
D445,794	S	*	7/2001	Johnston	D14/408

* cited by examiner

Primary Examiner—Pamela Burgess

(74) *Attorney, Agent, or Firm*—Robert M. Downey, PA

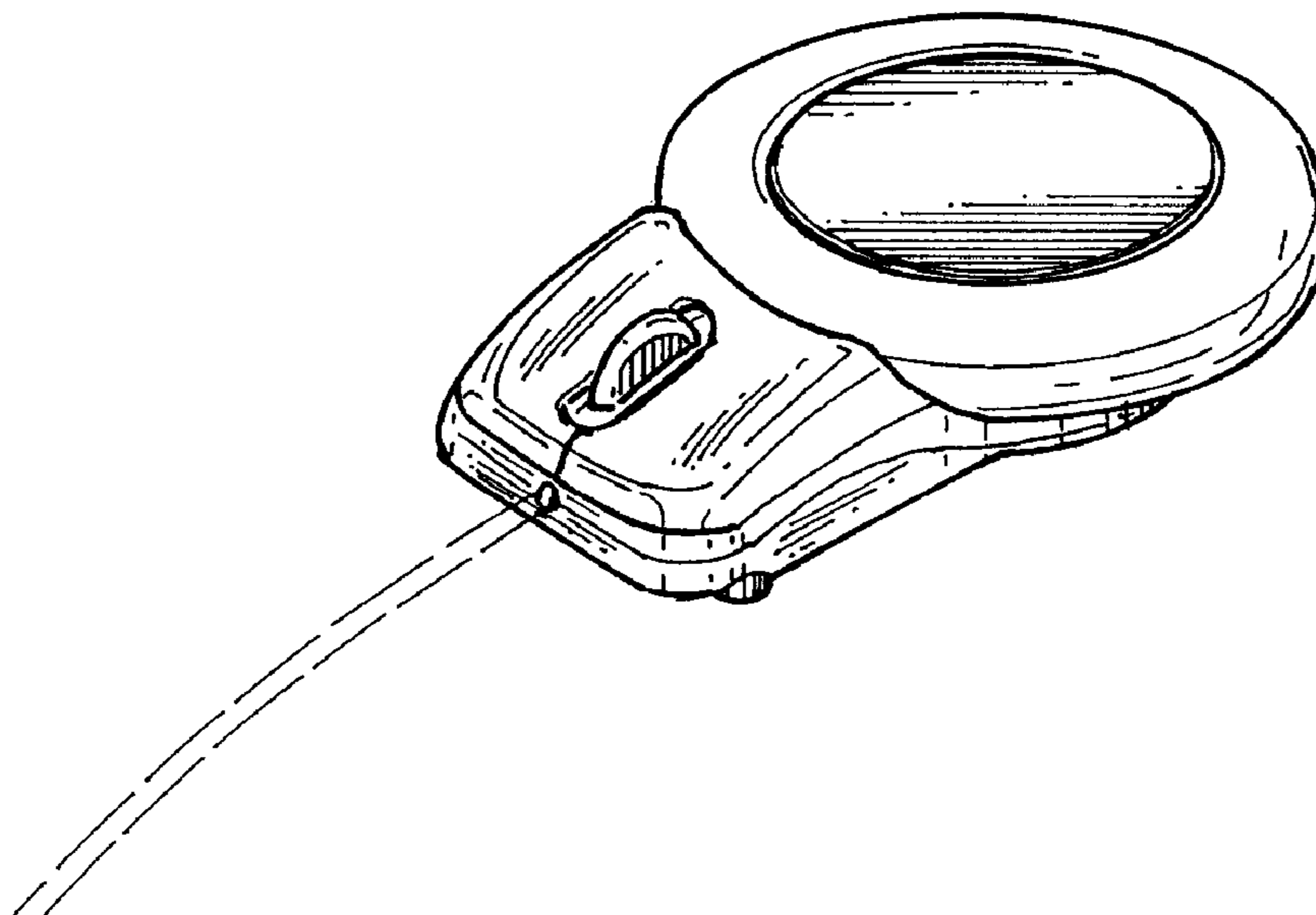
(57) **CLAIM**

The ornamental design for a computer mouse, as shown and described.

DESCRIPTION

FIG. 1 is a top plan view of a computer mouse showing my new design;
FIG. 2 is a bottom plan view thereof;
FIG. 3 is a left side elevational view thereof, the right side elevational view being identical thereto;
FIG. 4 is a front elevational view thereof;
FIG. 5 is a rear elevational view thereof; and,
FIG. 6 is a top perspective view thereof.
The broken lines shown in the drawings are for illustrative purposes only and form no part of the claimed design.

1 Claim, 2 Drawing Sheets



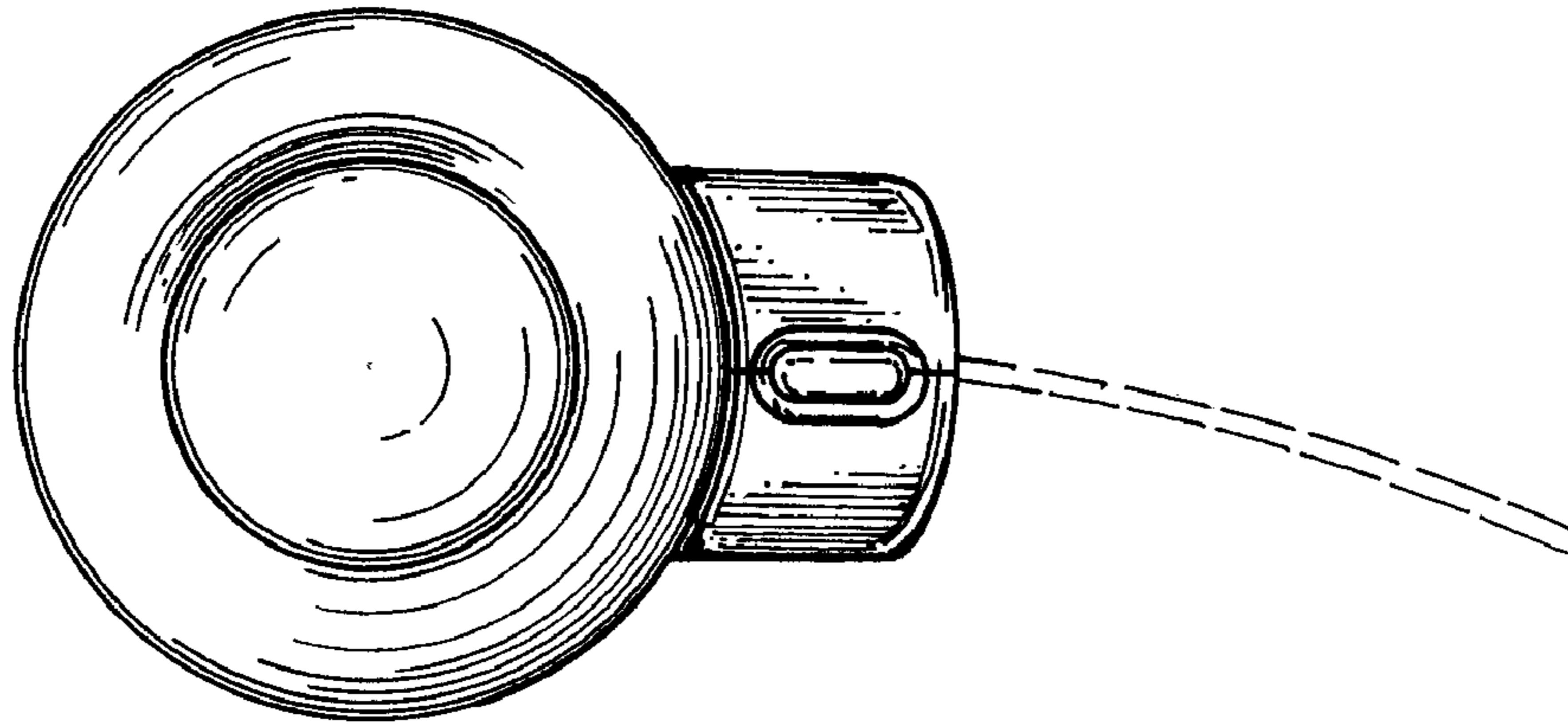


FIG. 1

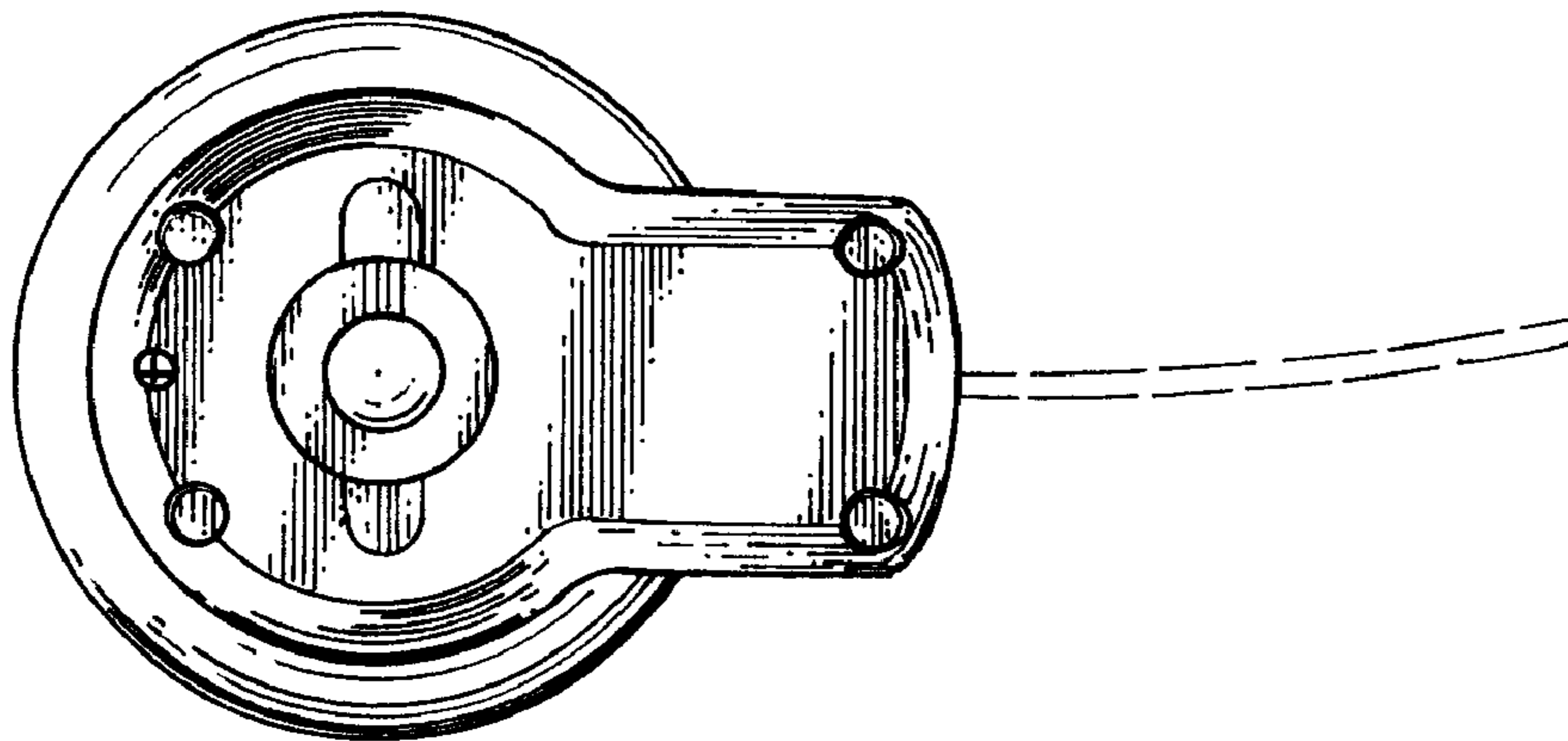


FIG. 2

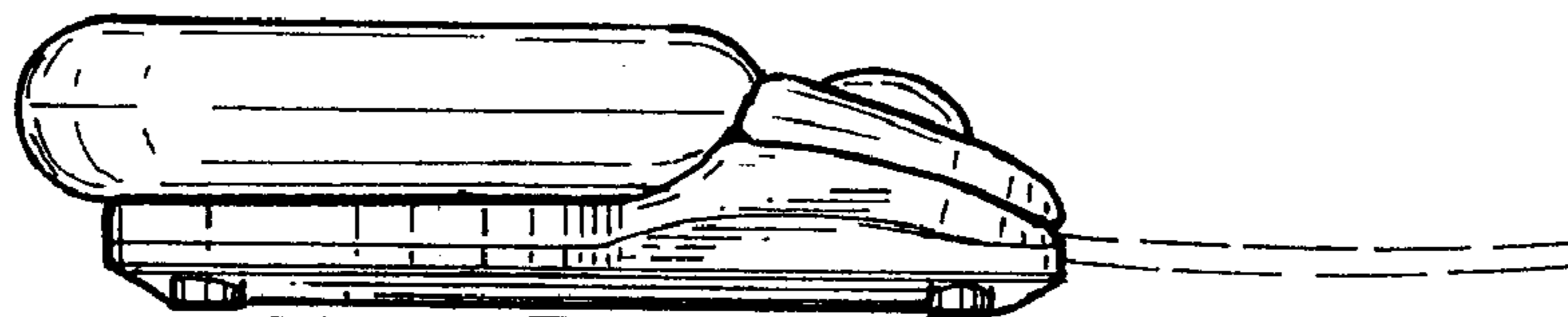


FIG. 3

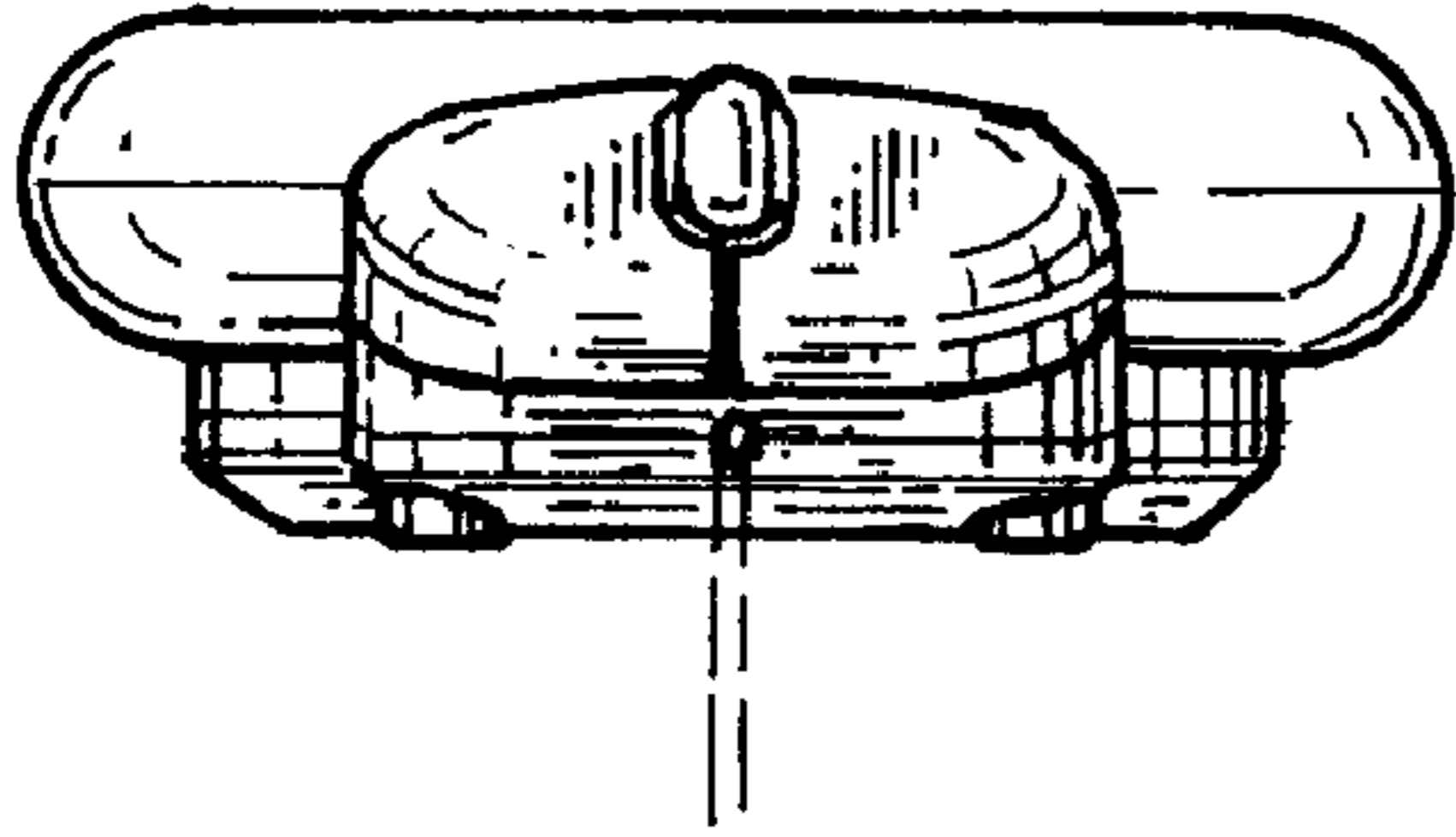


FIG. 4

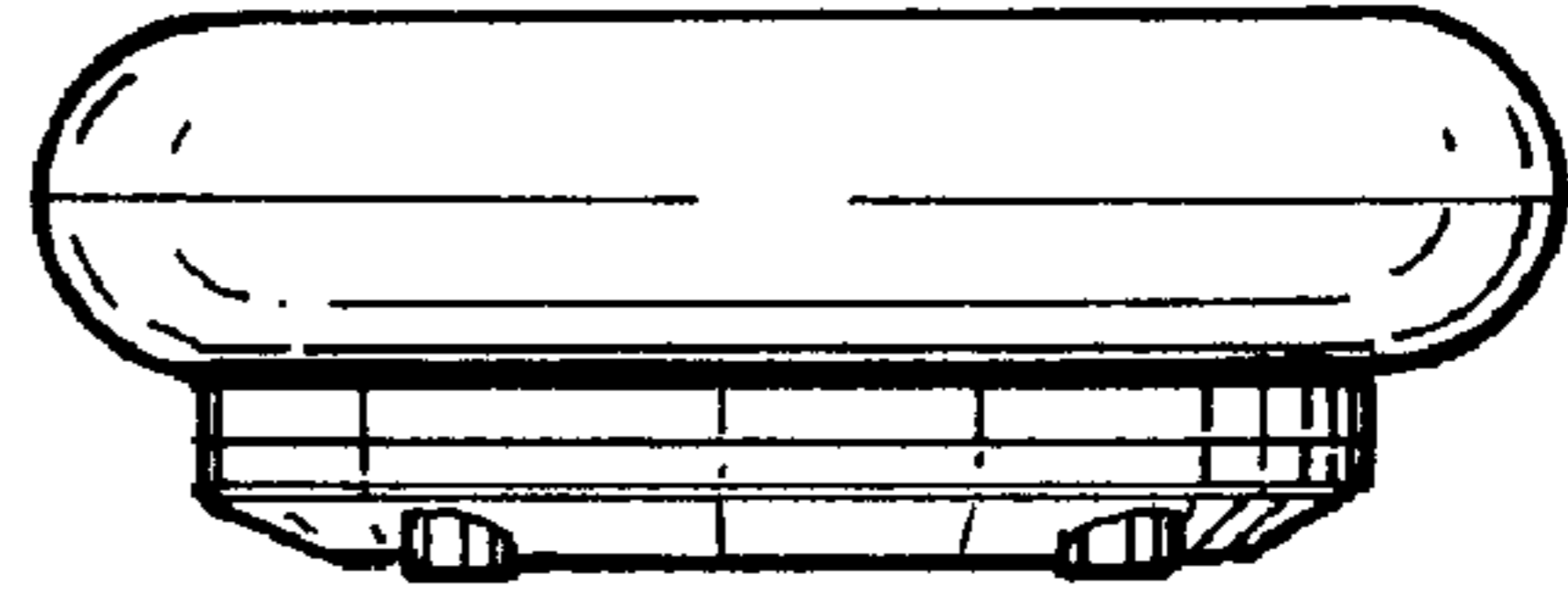


FIG. 5

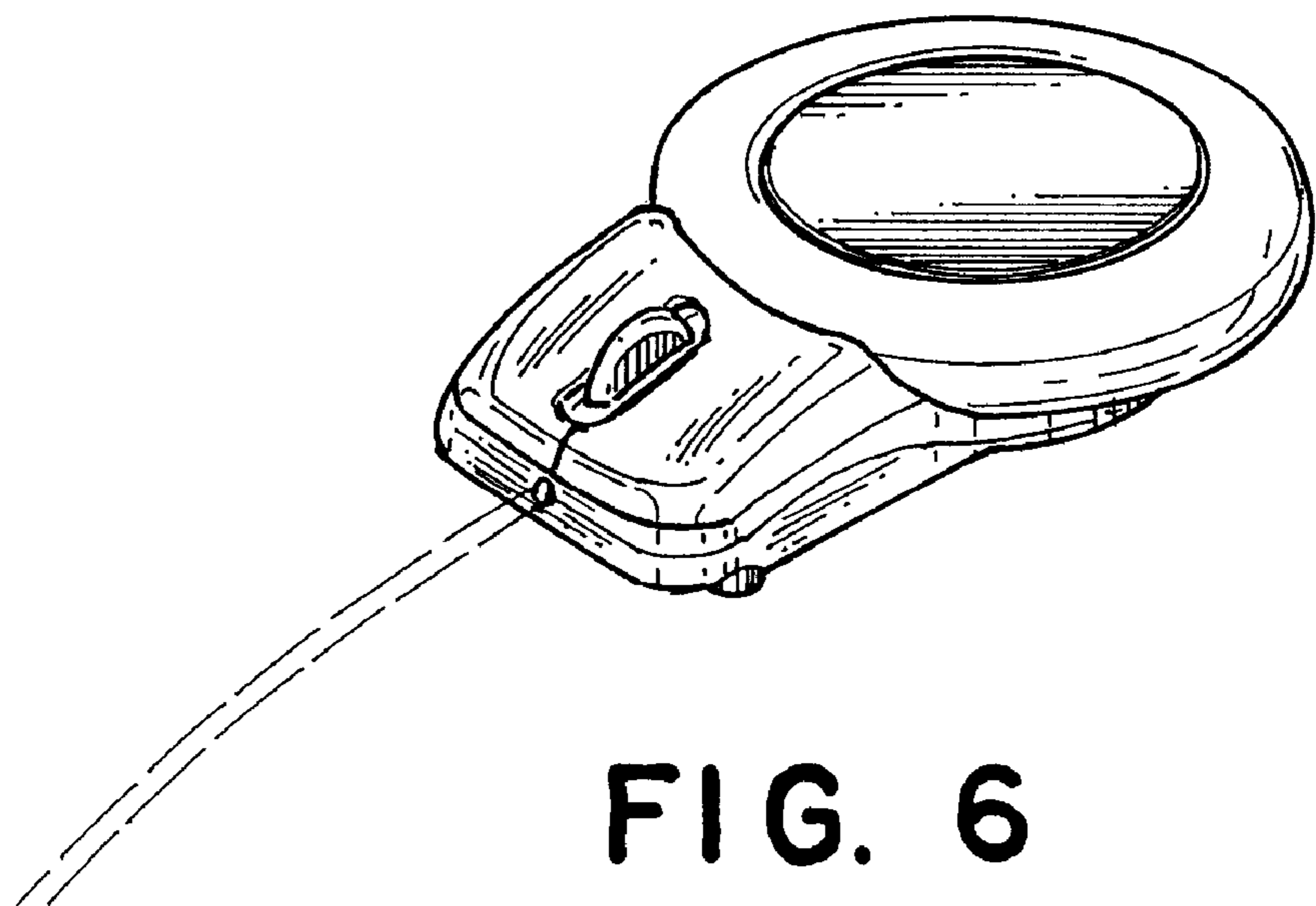


FIG. 6