



US00D521002S

(12) **United States Design Patent**  
**Rinna et al.**

(10) **Patent No.:** **US D521,002 S**

(45) **Date of Patent:** **\*\* May 16, 2006**

(54) **SCREEN MONITOR**

(75) Inventors: **Eddy Rinna**, Bowden (AU); **Peter McIntyre**, Bowden (AU); **Marc Anthony Fraser**, Blackburn (AU)

(73) Assignee: **Clipsal Australia PTY LTD**, Bowden (AU)

(\*\*) Term: **14 Years**

(21) Appl. No.: **29/212,772**

(22) Filed: **Sep. 8, 2004**

(30) **Foreign Application Priority Data**

Mar. 9, 2004 (AU) ..... 900/04

(51) **LOC (8) Cl.** ..... **14-02**

(52) **U.S. Cl.** ..... **D14/374**

(58) **Field of Classification Search** ..... D14/371-375,  
D14/125-129; 345/104, 156, 168, 173, 901-905,  
345/87; 348/180, 184, 325, 739; 349/1, 2,  
349/11, 62; 341/12; 353/120, 122  
See application file for complete search history.

(56) **References Cited**

**U.S. PATENT DOCUMENTS**

3,537,792 A \* 11/1970 Furniss et al. .... 353/120

4,632,529 A \* 12/1986 Levin ..... 353/122  
D354,483 S \* 1/1995 Yamazaki ..... D14/374  
D363,709 S \* 10/1995 Matsumoto ..... D14/374  
D364,153 S \* 11/1995 Umaba et al. .... D14/374  
D486,825 S \* 2/2004 Shiota et al. .... D14/374  
D495,706 S \* 9/2004 Lin et al. .... D14/374

\* cited by examiner

*Primary Examiner*—Freda S. Nunn

(74) *Attorney, Agent, or Firm*—Klauber & Jackson LLC

(57) **CLAIM**

The ornamental design for screen monitor, as shown and described.

**DESCRIPTION**

FIG. 1 is a front perspective view taken from the left side showing the screen/monitor of our new design;

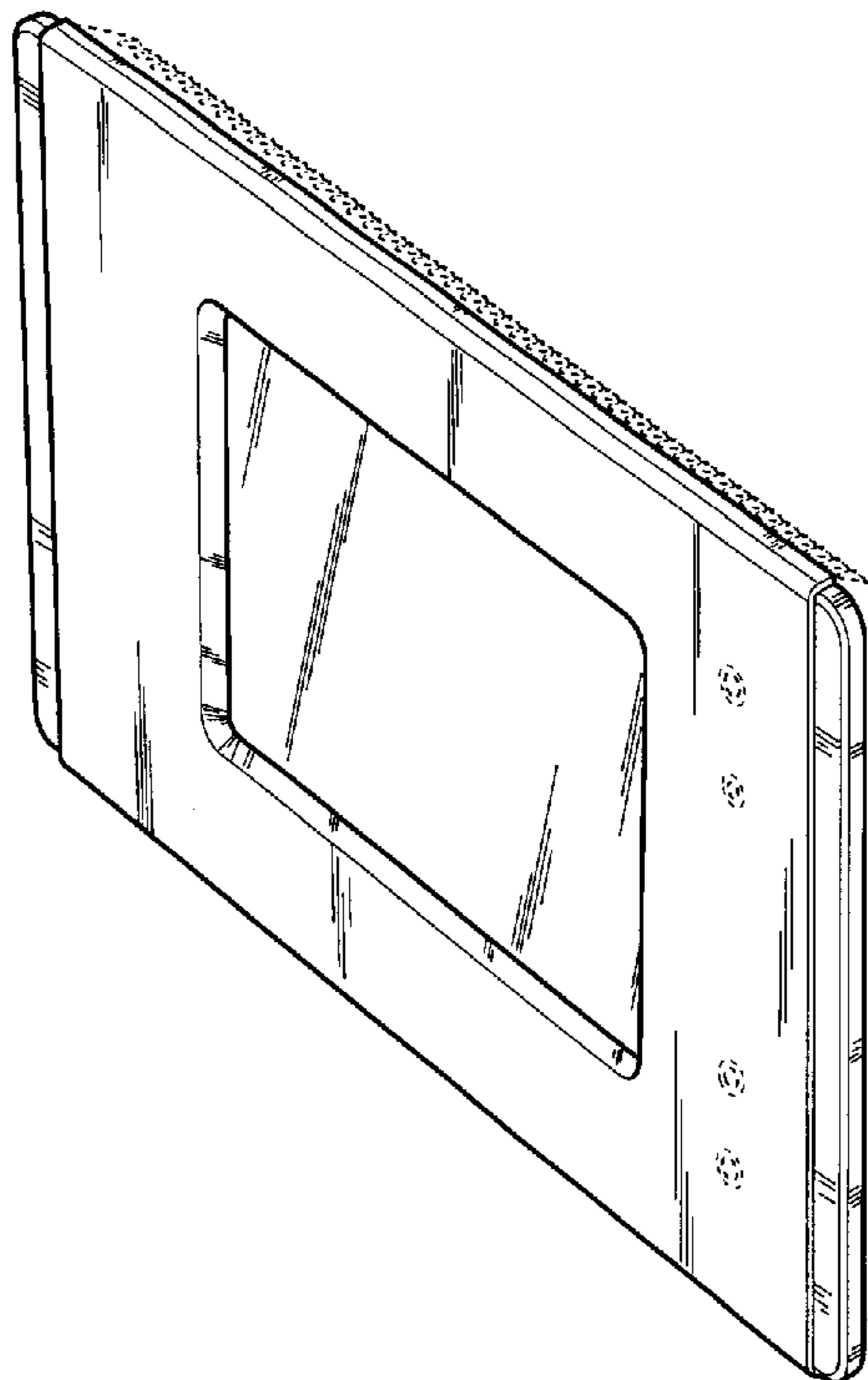
FIG. 2 is a front view thereof;

FIG. 3 is a left side view thereof, the right side view being the mirror image thereof; and,

FIG. 4 is a top view thereof, the bottom view thereof being the mirror image thereof.

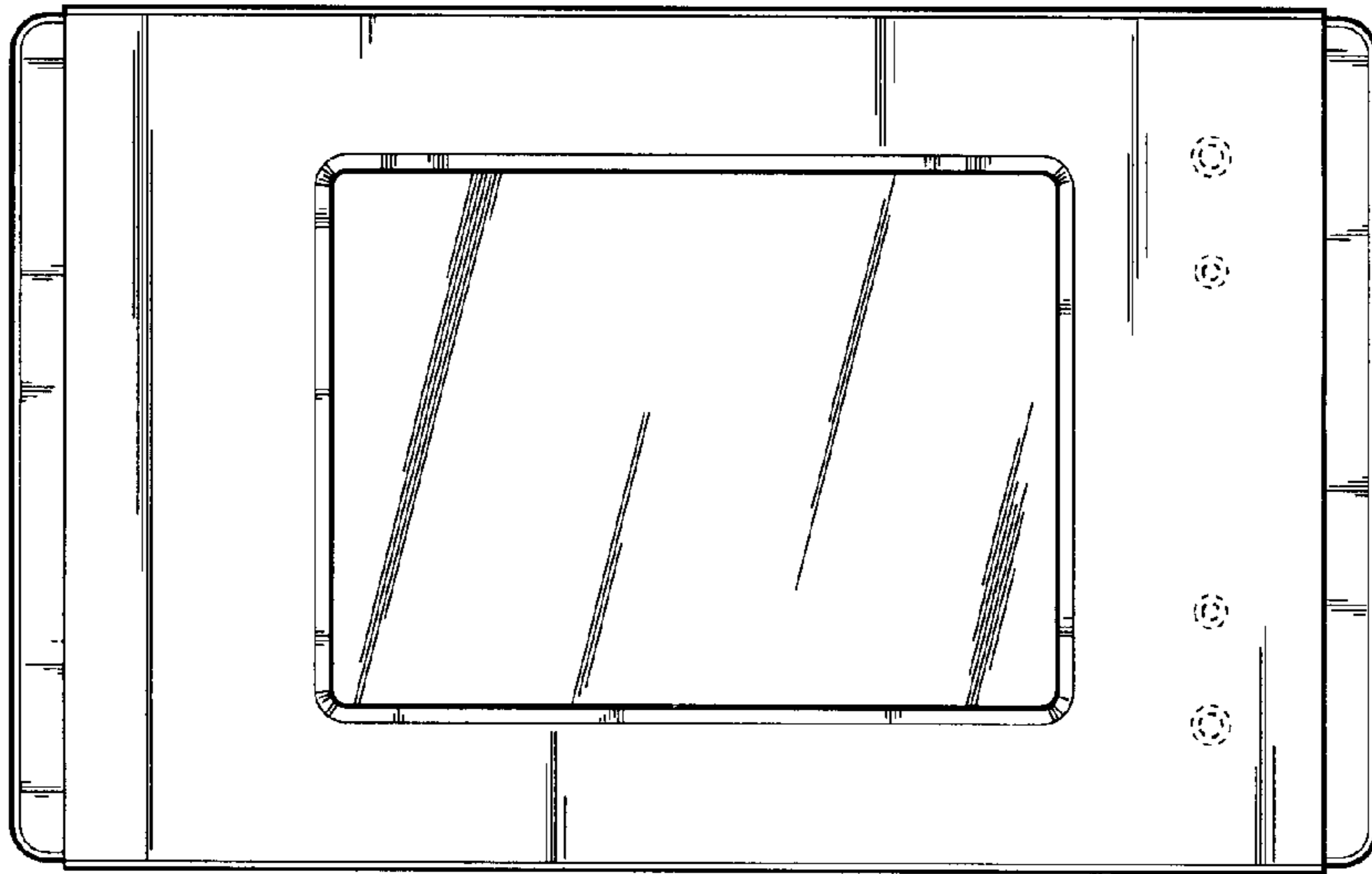
The aspects of the design shown in dotted lines do not form a part of the claimed design.

**1 Claim, 1 Drawing Sheet**

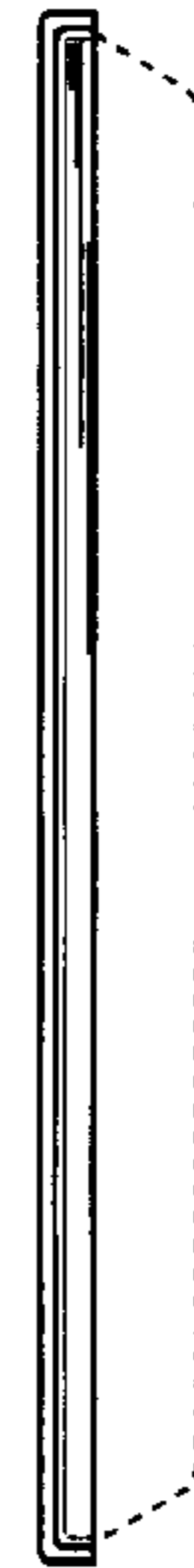




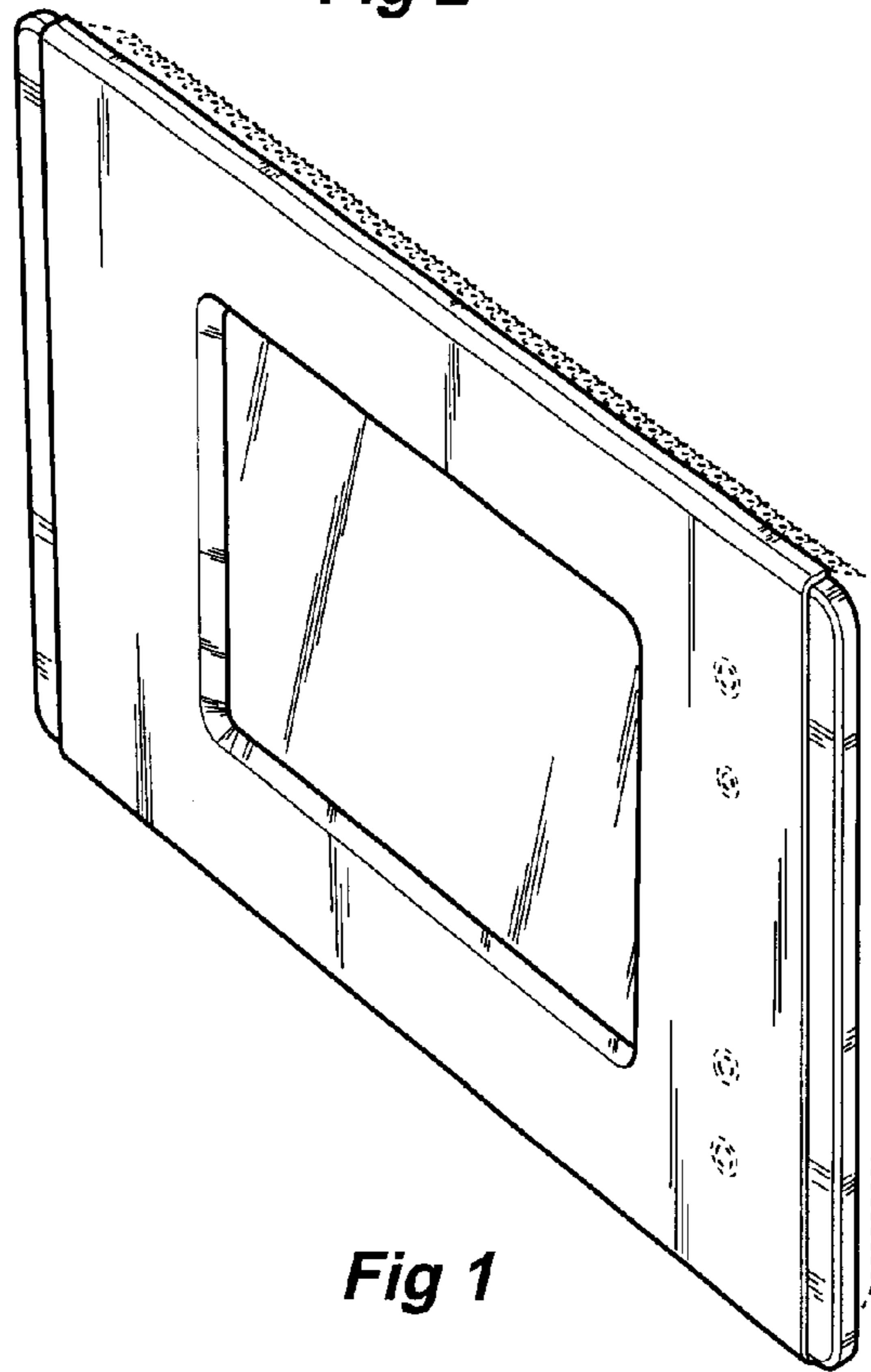
**Fig 4**



**Fig 2**



**Fig 3**



**Fig 1**