

US00D520999S

(12) **United States Design Patent**
Woo et al.

(10) **Patent No.:** **US D520,999 S**

(45) **Date of Patent:** **** May 16, 2006**

(54) **WIRELESS DATA TRANSMITTER
RECEIVER**

(75) Inventors: **Sang-Sung Woo**, Seoul (KR);
Tai-Hyung Ju, Seoul (KR)

(73) Assignee: **Samsung Electronics Co., Ltd.**,
Kyunggi-do (KR)

(**) Term: **14 Years**

(21) Appl. No.: **29/226,435**

(22) Filed: **Mar. 29, 2005**

(51) **LOC (8) Cl.** **14-02**

(52) **U.S. Cl.** **D14/356**

(58) **Field of Classification Search** D14/156,
D14/167, 240-3, 256, 299, 301, 319, 348-9,
D14/351-2, 354, 356-61, 363, 366-8, 385;
D13/103, 123, 152, 184, 124, 199; 379/413.04;
220/4.01-4.02; 361/679, 685-6; 711/100
See application file for complete search history.

(56) **References Cited**

U.S. PATENT DOCUMENTS

D309,298 S	*	7/1990	Pushelberg	D14/242
D313,972 S	*	1/1991	Hansen	D13/164
D331,573 S	*	12/1992	Iino	D14/434
D340,699 S	*	10/1993	Chen	D13/164
5,495,389 A	*	2/1996	Dewitt et al.	361/683
D381,330 S	*	7/1997	Kaufman et al.	D14/496

D397,674 S	*	9/1998	Rao	D14/433
D417,453 S	*	12/1999	Du	D14/242
6,667,888 B1	*	12/2003	Chang et al.	361/737
6,687,518 B1	*	2/2004	Park	379/433.01

OTHER PUBLICATIONS

U.S. Appl. No. 29/217,927, Applicant: Kwon, et al., filed Nov. 23, 2004 entitled Wireless Receiver.

* cited by examiner

Primary Examiner—Robin Webster

Assistant Examiner—Karen E. Patterson

(74) *Attorney, Agent, or Firm*—Fynn, Thiel, Boutell & Tanis, P.C.

(57) **CLAIM**

The ornamental design for a wireless data transmitter receiver, as shown and described.

DESCRIPTION

FIG. 1. is a top front perspective view of a wireless data transmitter receiver showing our new design.

FIG. 2. is a front elevational view thereof.

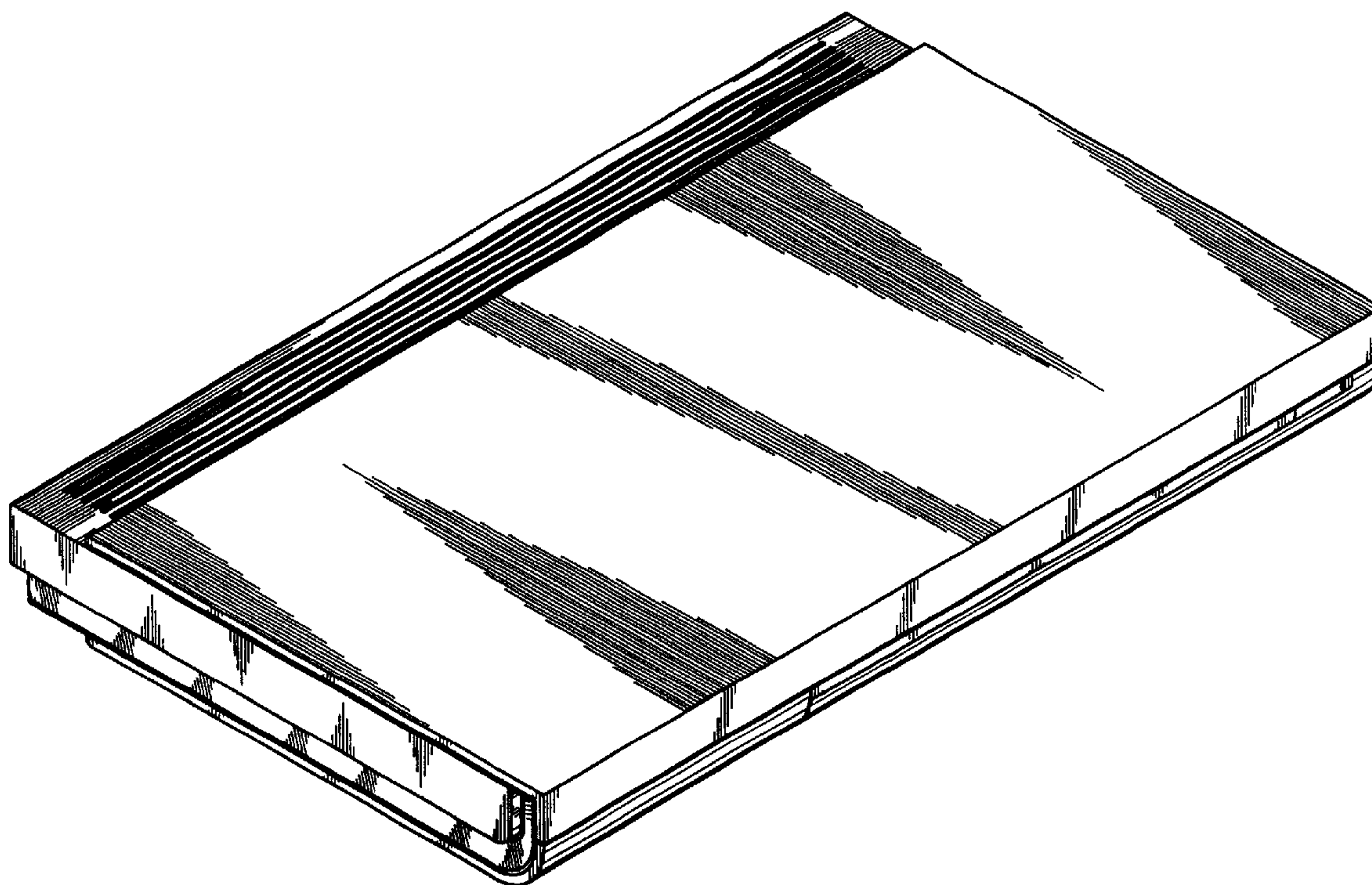
FIG. 3. is a rear elevational view thereof.

FIG. 4. is a left side elevational view thereof. (a right side view is symmetrical to the left side elevational view.)

FIG. 5. is a top plan view thereof; and,

FIG. 6. is a bottom plan view thereof.

1 Claim, 3 Drawing Sheets



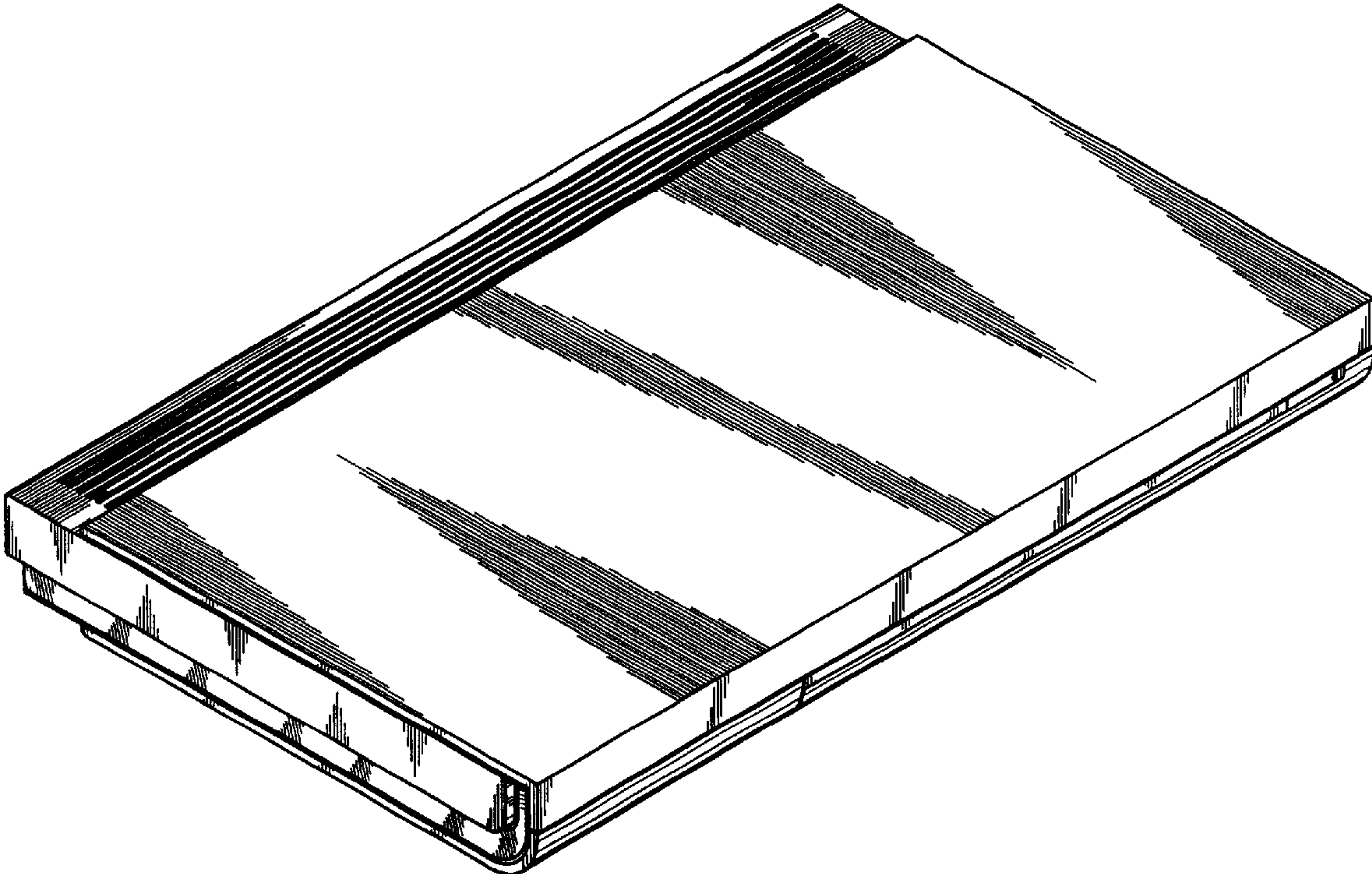


FIG. 1

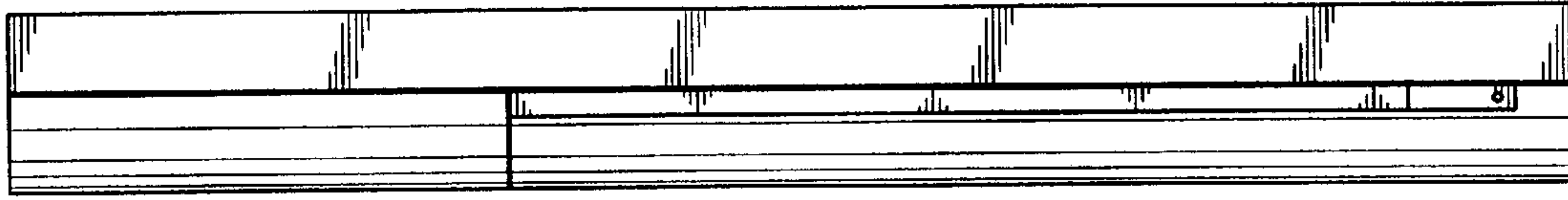


FIG. 2

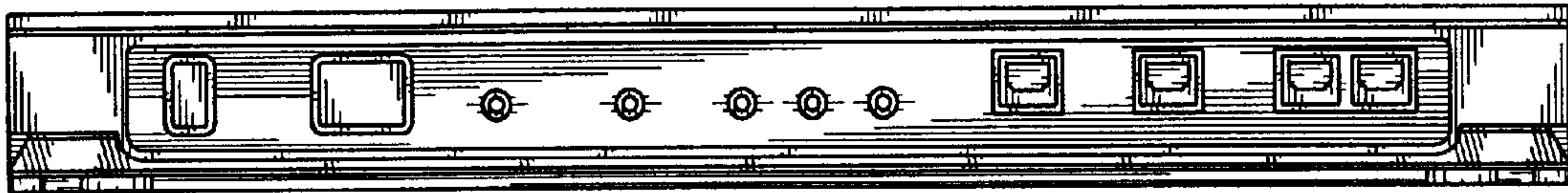


FIG. 3

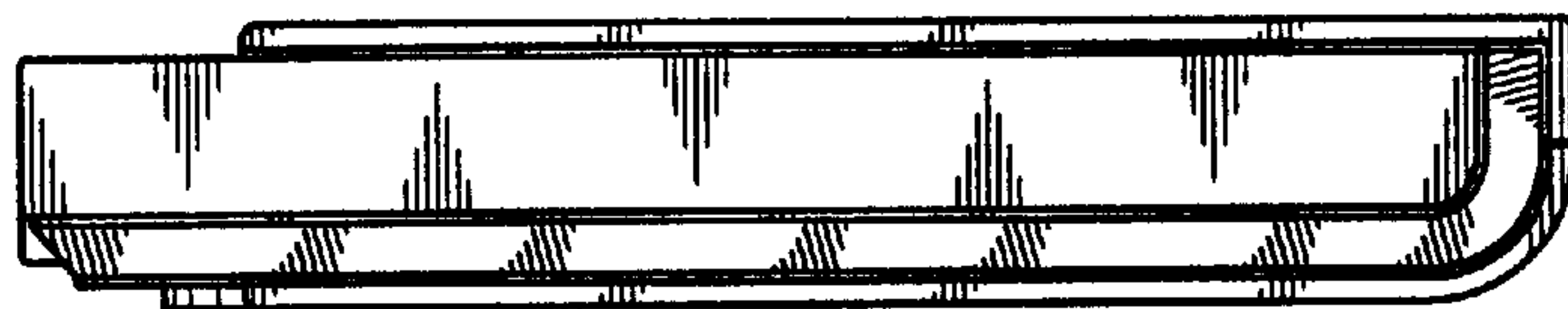


FIG. 4

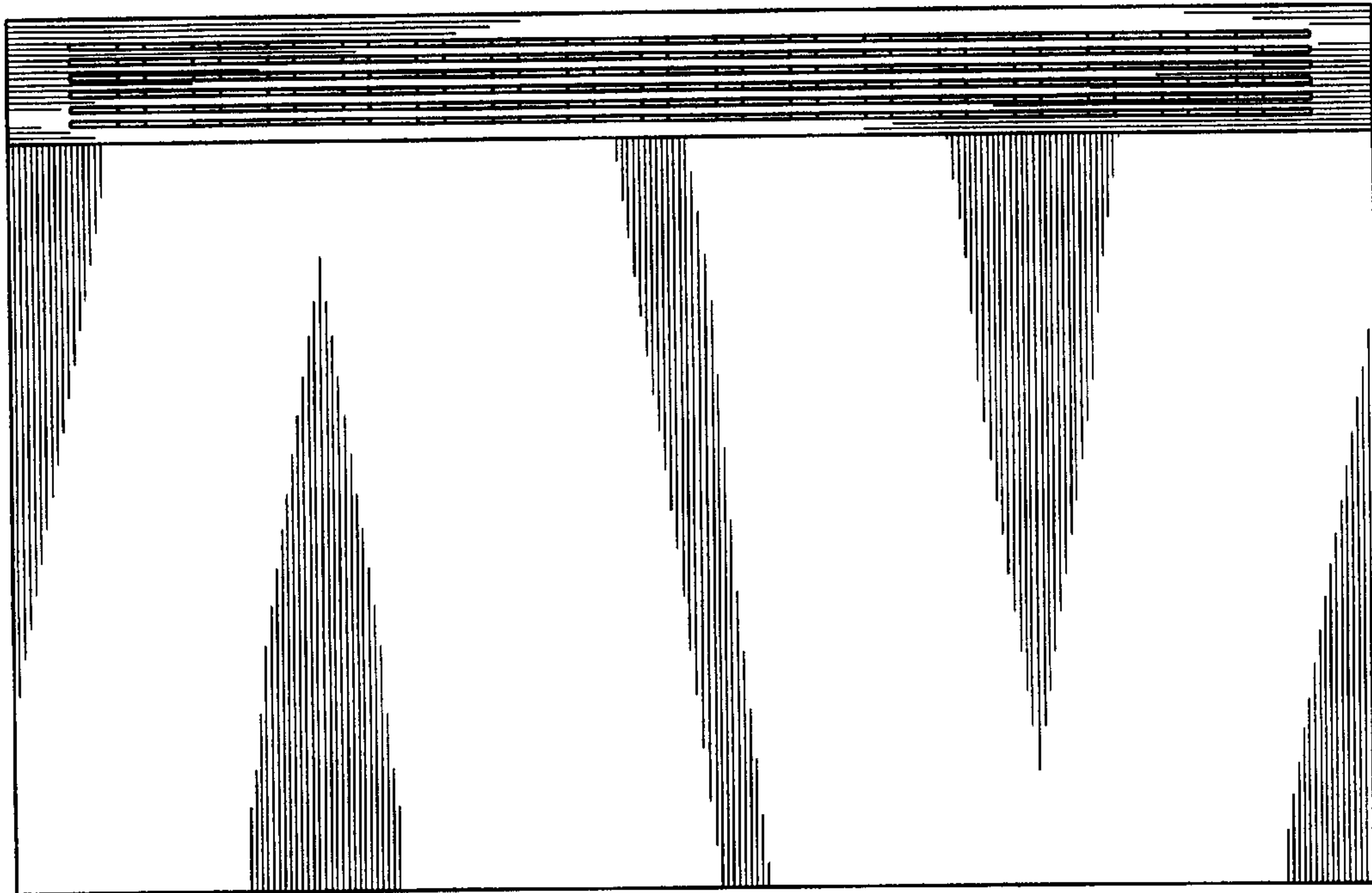


FIG. 5

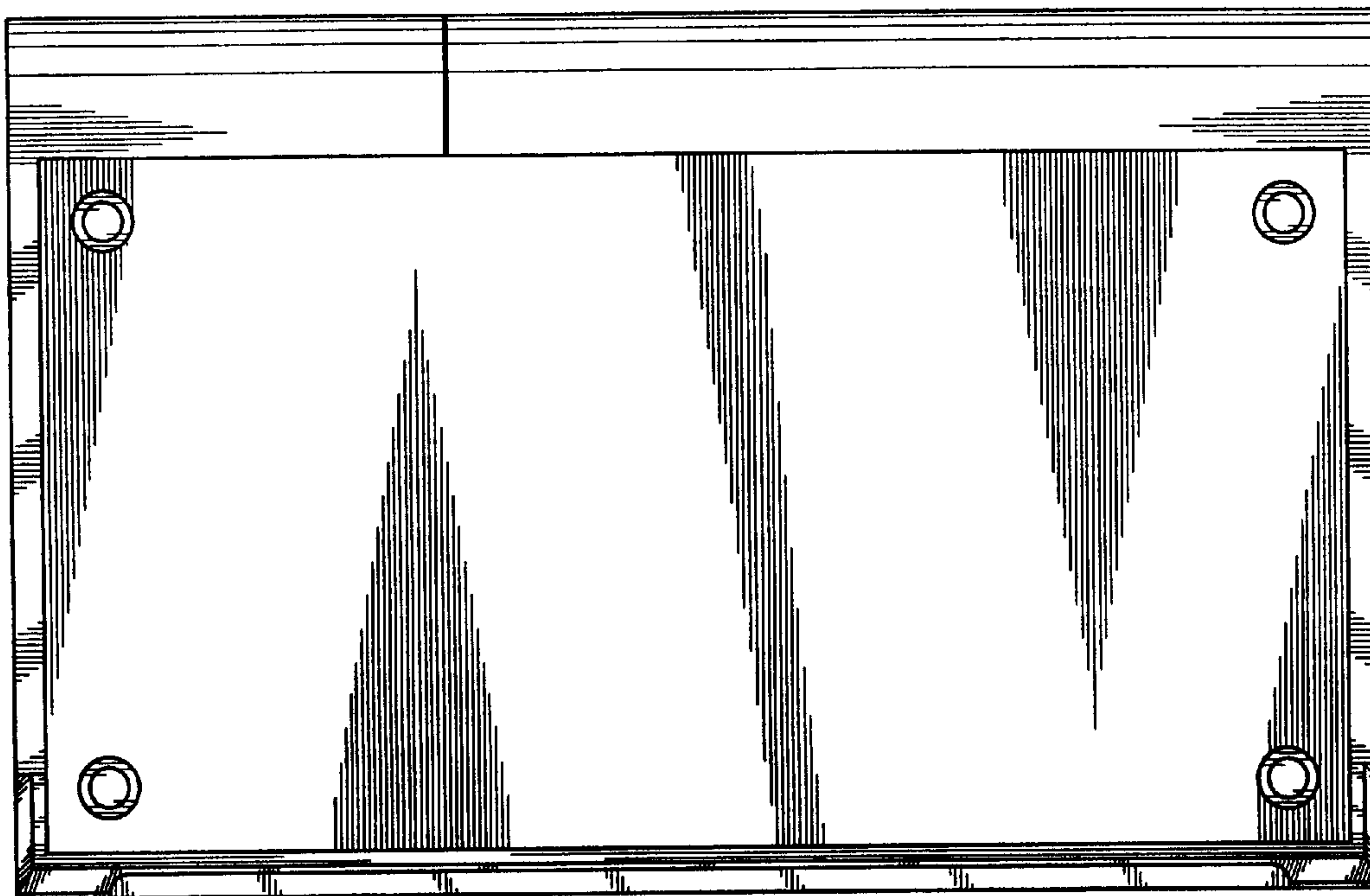


FIG. 6