

US00D520997S

(12) **United States Design Patent**
Lee et al.

(10) **Patent No.:** **US D520,997 S**

(45) **Date of Patent:** **** May 16, 2006**

(54) **MEDIA DRIVE**

(75) Inventors: **Peter K. Lee**, San Jose, CA (US);
Kenneth G. Robertson, San Jose, CA
(US); **Kenneth Douglas Wood**, Portola
Valley, CA (US); **Jeff Salazar**, Palo
Alto, CA (US)

(73) Assignee: **Hewlett-Packard Development
Company, L.P.**, Houston, TX (US)

(**) Term: **14 Years**

(21) Appl. No.: **29/219,836**

(22) Filed: **Dec. 21, 2004**

(51) **LOC (8) Cl.** **14-02**

(52) **U.S. Cl.** **D14/356**

(58) **Field of Classification Search** D14/137,
D14/142, 240-3, 256, 299, 353, 356-7, 368,
D14/433-5, 156, 167, 301, 319, 323, 348,
D14/359-61, 363, 366-7, 380, 385, 432,
D14/436, 440-2, 444, 447, 496, 332; D13/123,
D13/152, 184; 455/73, 90.3, 151.1-4, 347,
455/554.1, 90.1; 379/413.04; 220/4.01-4.02;
361/360, 365, 369, 685; 710/63, 74; 711/100;
D21/332

See application file for complete search history.

(56) **References Cited**

U.S. PATENT DOCUMENTS

D196,436 S * 10/1963 Ingraham et al. D14/137

D260,762 S * 9/1981 Peroni D10/103
D290,961 S * 7/1987 Mendel D14/388
5,130,891 A * 7/1992 Christie 361/726
D337,997 S * 8/1993 Brunner et al. D14/368
D346,607 S * 5/1994 Bhargava et al. D14/242
D357,684 S * 4/1995 Moreland D14/240
D374,222 S * 10/1996 Brandt D14/471
D427,193 S * 6/2000 Fedele D14/348
D462,676 S * 9/2002 Sodling D14/240
6,891,721 B1 * 5/2005 Huang 361/685

* cited by examiner

Primary Examiner—Robin Webster
Assistant Examiner—Karen E. Patterson

(57) **CLAIM**

We claim the ornamental design for a media drive, as shown and described.

DESCRIPTION

FIG. 1 is an upper left front perspective view in accordance with a media drive.

FIG. 2 is a front view thereof;

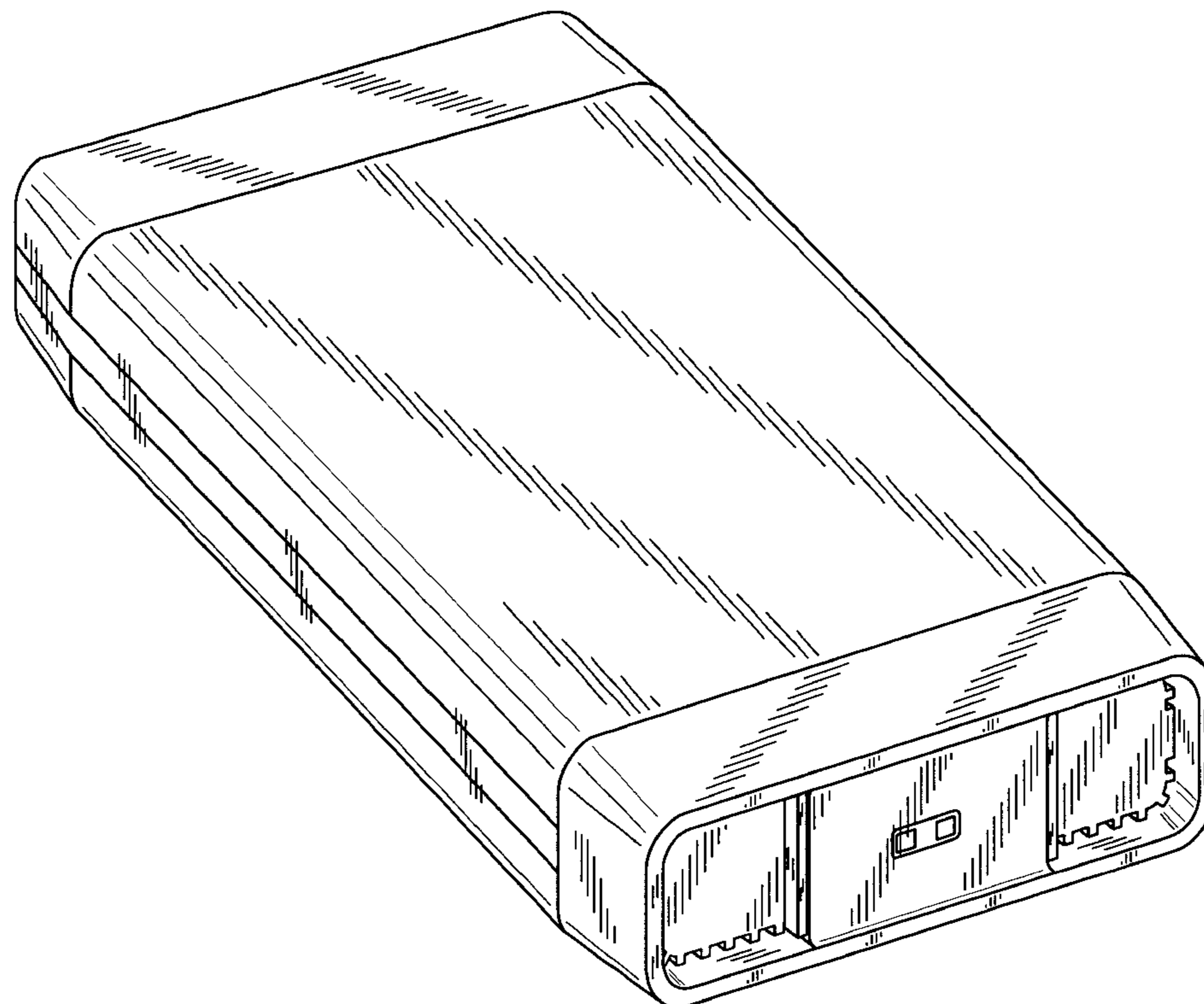
FIG. 3 is a rear view thereof, with various openings shown in broken lines for illustrative purposes only and do not form any part of the claimed design;

FIG. 4 is a top view thereof;

FIG. 5 is a bottom view thereof; and,

FIG. 6 is a side view thereof.

1 Claim, 4 Drawing Sheets



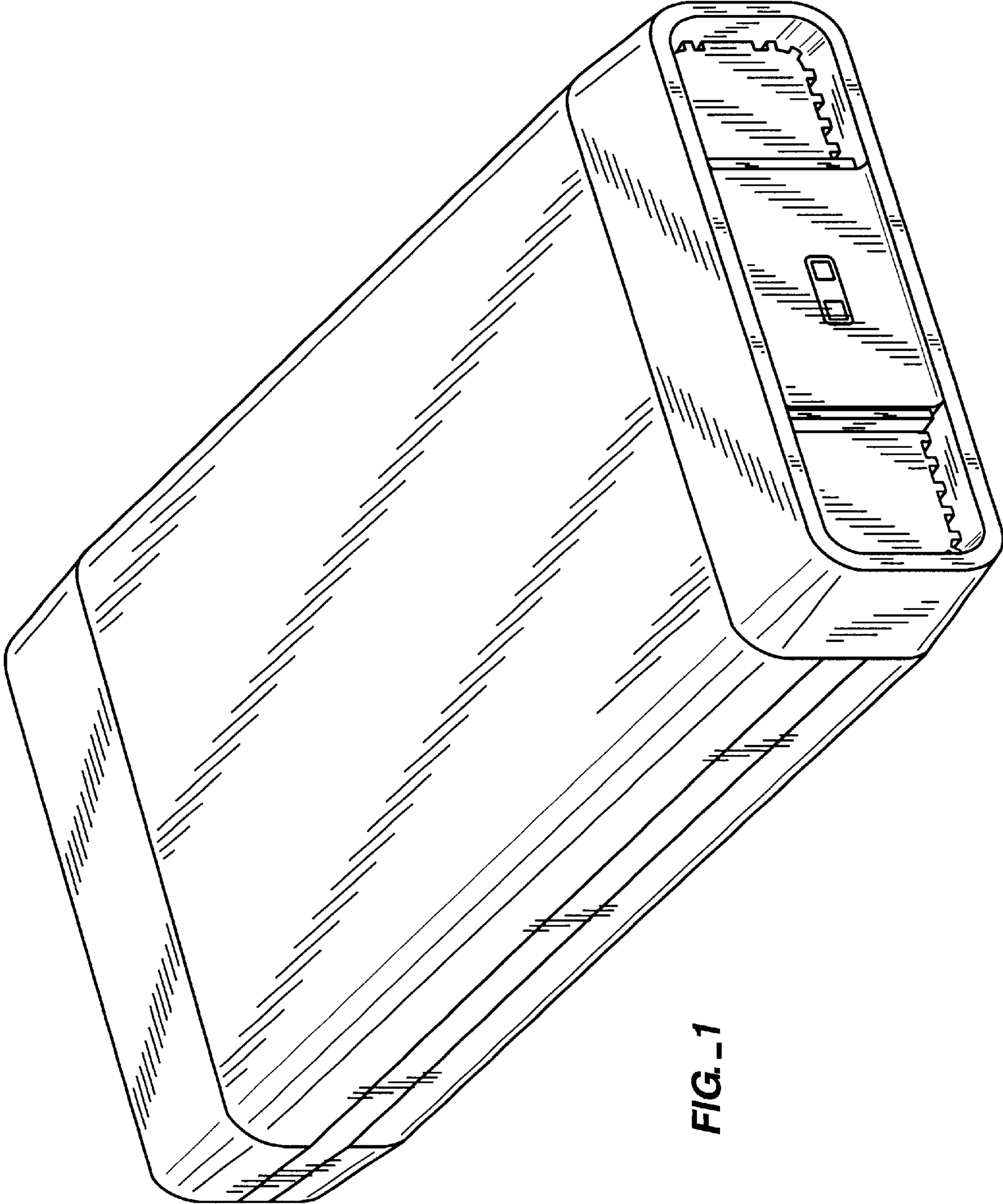


FIG. - 1

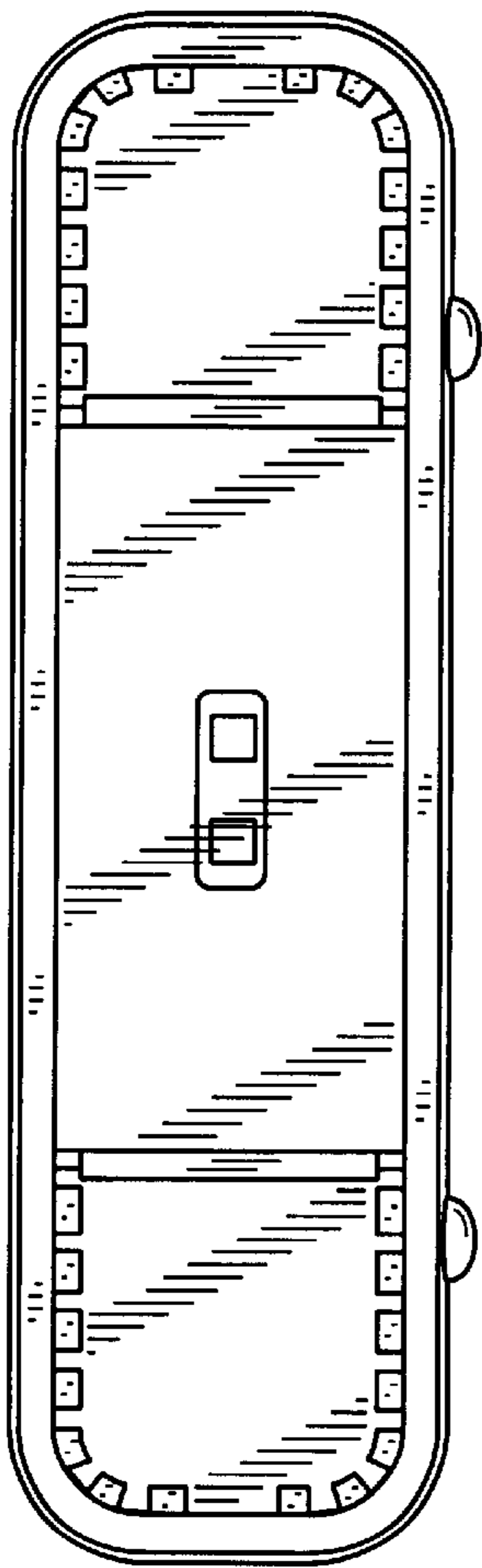


FIG. 2

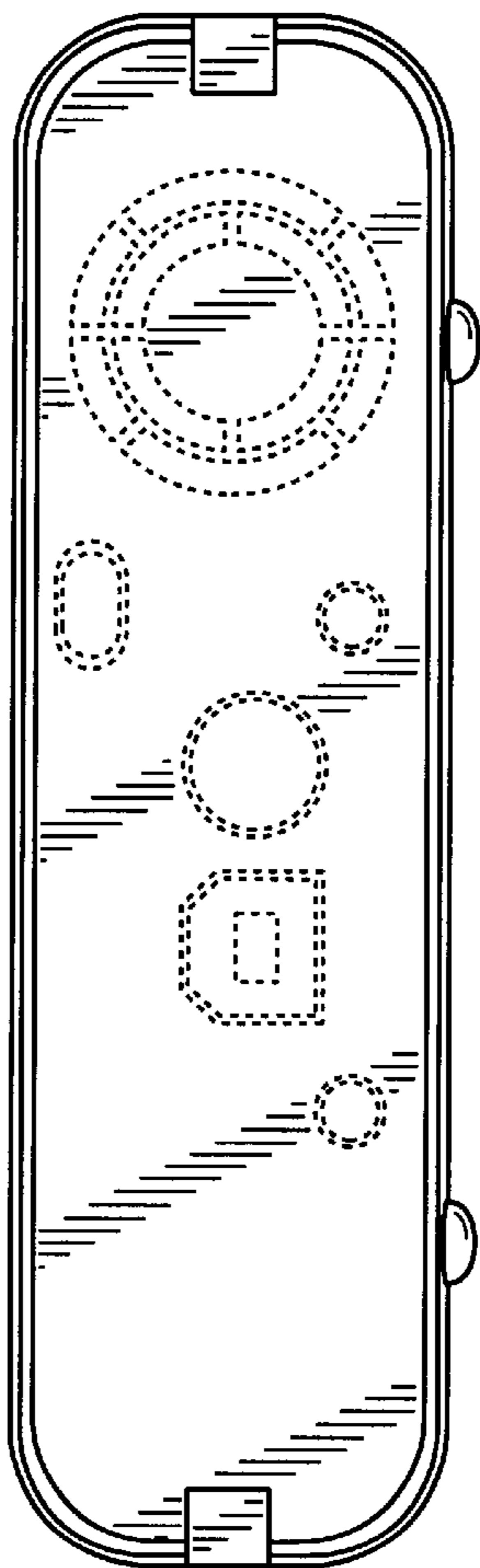


FIG. 3

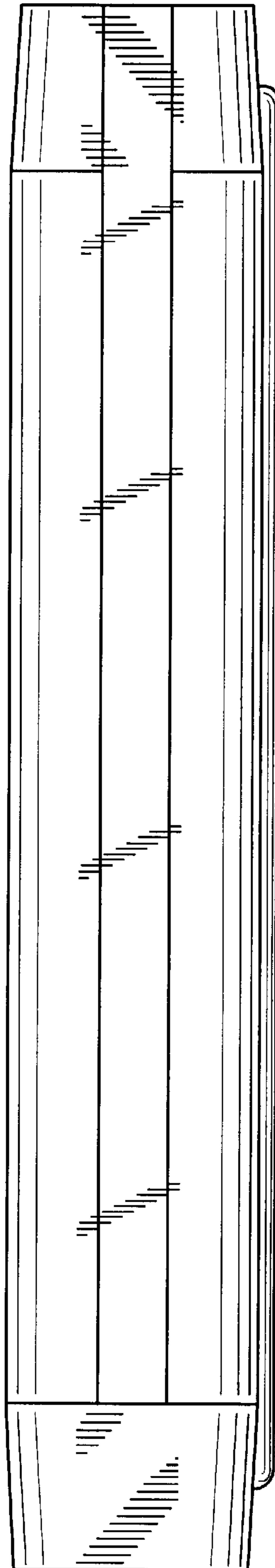


FIG. 6

FIG. 4

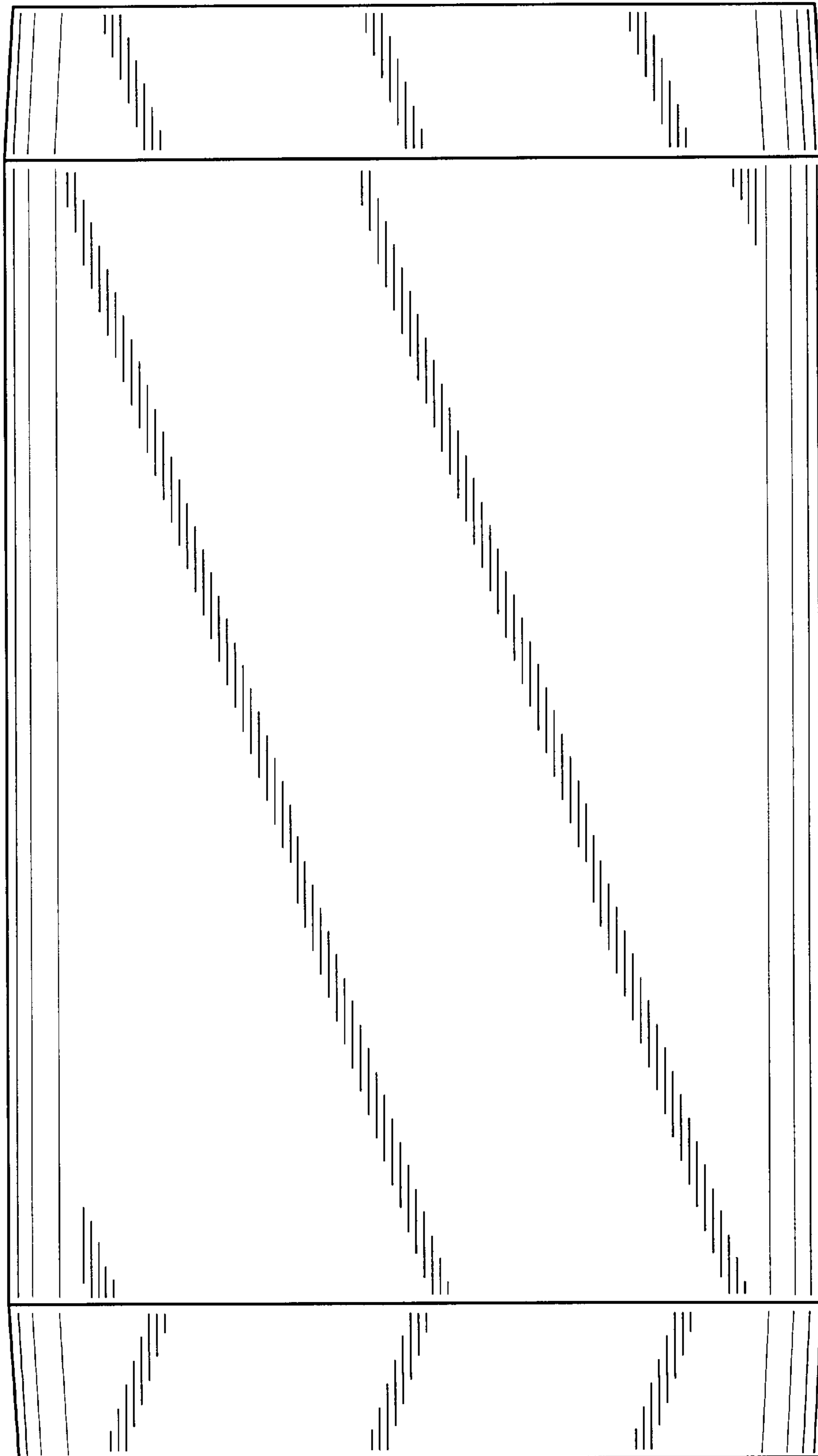


FIG. 5

