

US00D520995S

(12) **United States Design Patent**  
**Chang**

(10) **Patent No.:** **US D520,995 S**

(45) **Date of Patent:** **\*\* May 16, 2006**

(54) **PORTABLE DISK**

(75) Inventor: **Che-Yuan Chang**, Taipei (TW)

(73) Assignee: **Apacer Technology Inc.**, Taipei (TW)

(\*\*) Term: **14 Years**

(21) Appl. No.: **29/217,004**

(22) Filed: **Nov. 12, 2004**

(30) **Foreign Application Priority Data**

Jun. 30, 2004 (TW) ..... 93303832

(51) **LOC (8) Cl.** ..... **14-02**

(52) **U.S. Cl.** ..... **D14/356**

(58) **Field of Classification Search** ..... D14/356,  
D14/242, 436, 433; 360/97.01; 361/685,  
361/686, 752, 737; 439/135, 144, 139-141,  
439/147, 136, 638, 518; 365/51, 63, 131;  
710/52, 300

See application file for complete search history.

(56) **References Cited**

**U.S. PATENT DOCUMENTS**

D444,788 S \* 7/2001 Do et al. .... D14/433

D445,708 S \* 7/2001 Huang et al. .... D10/104

D449,615 S \* 10/2001 Lloyd ..... D14/433

D463,426 S \* 9/2002 Cheng ..... D14/356

D479,844 S \* 9/2003 Slocombe et al. .... D14/411

\* cited by examiner

*Primary Examiner*—Alan P. Douglas

*Assistant Examiner*—Susan Moon Lee

(74) *Attorney, Agent, or Firm*—Rosenberg, Klein & Lee

(57) **CLAIM**

I claim the ornamental design for a portable disk, substantially, as shown and described.

**DESCRIPTION**

FIG. 1 is a front perspective view of the portable disk showing the new design;

FIG. 2 is a front view of the portable disk;

FIG. 3 is a back view of the portable disk;

FIG. 4 is a left side view of the portable disk;

FIG. 5 is a right side view of the portable disk;

FIG. 6 is a top view of the portable disk;

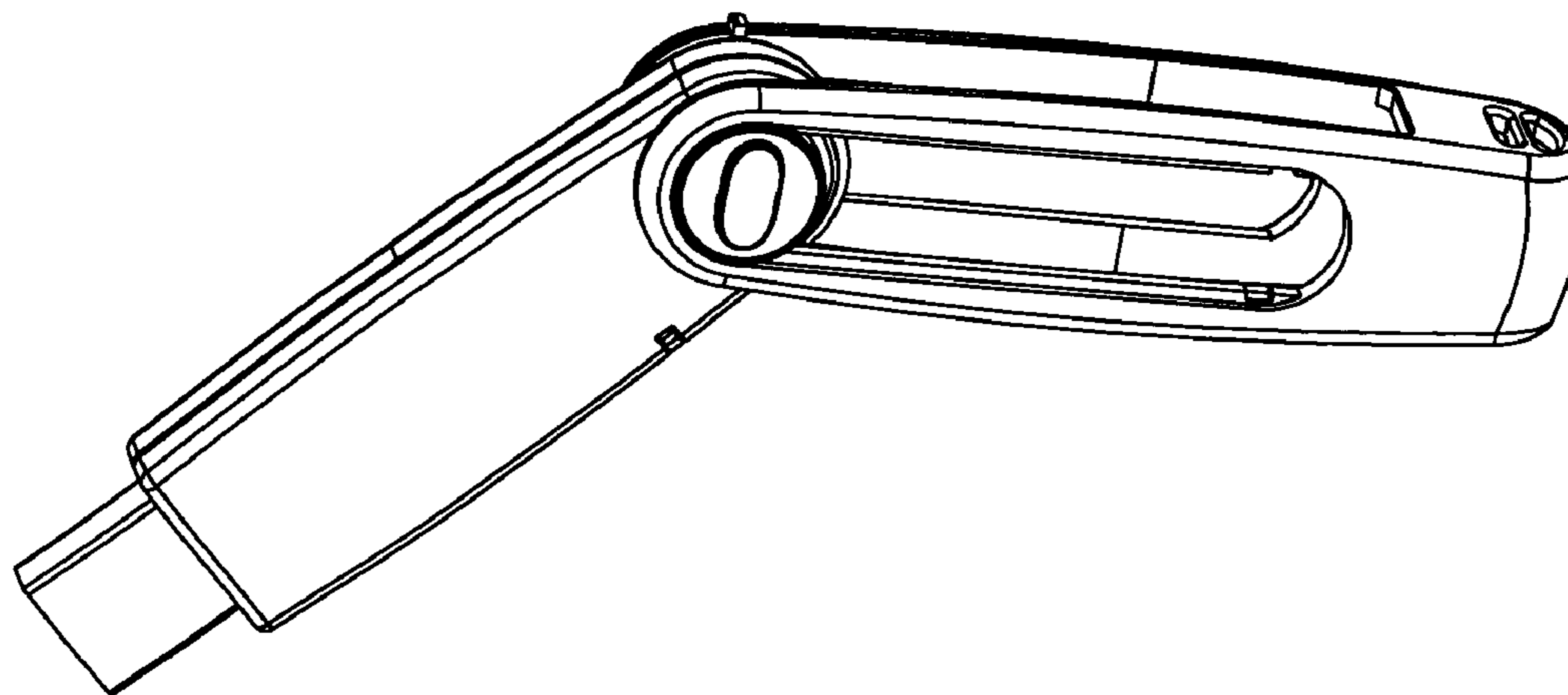
FIG. 7 is a bottom view of the portable disk;

FIG. 8 is a using status view of the portable disk;

FIG. 9 is another using status view of the portable disk; and,

FIG. 10 is yet another using status view of the portable disk.

**1 Claim, 4 Drawing Sheets**



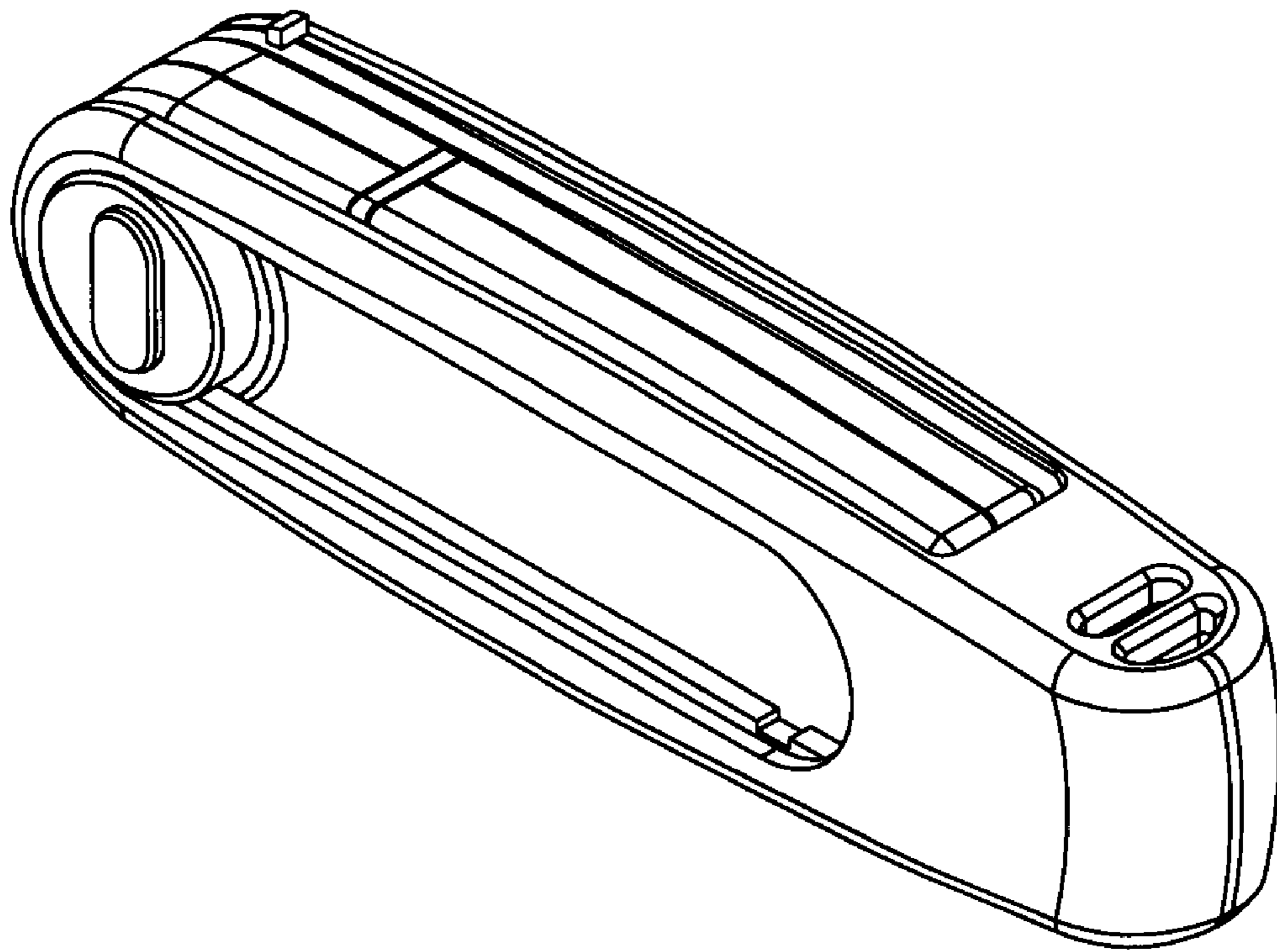


Fig. 1

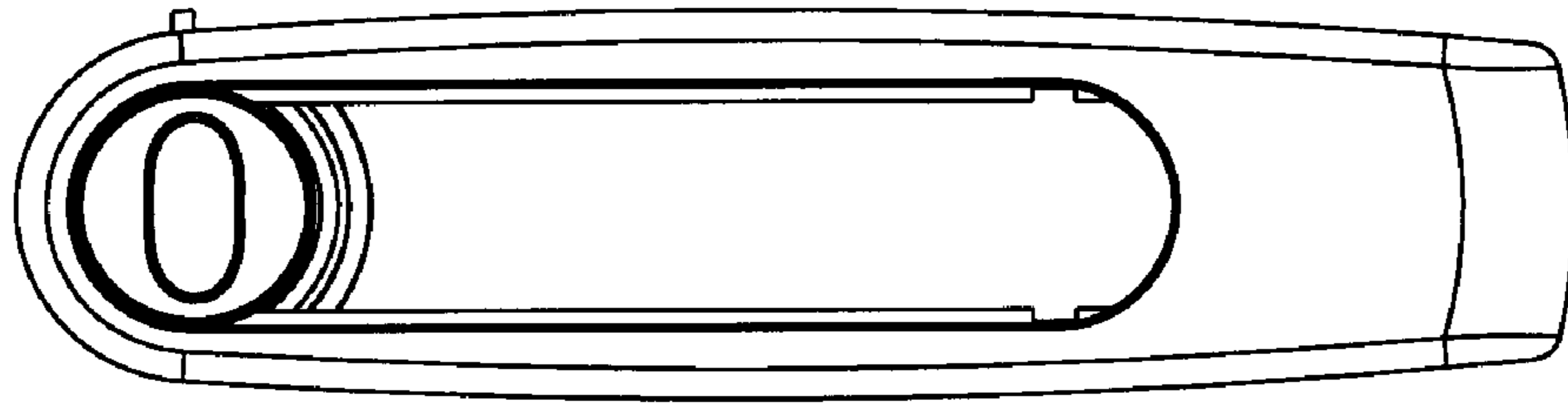


Fig. 2

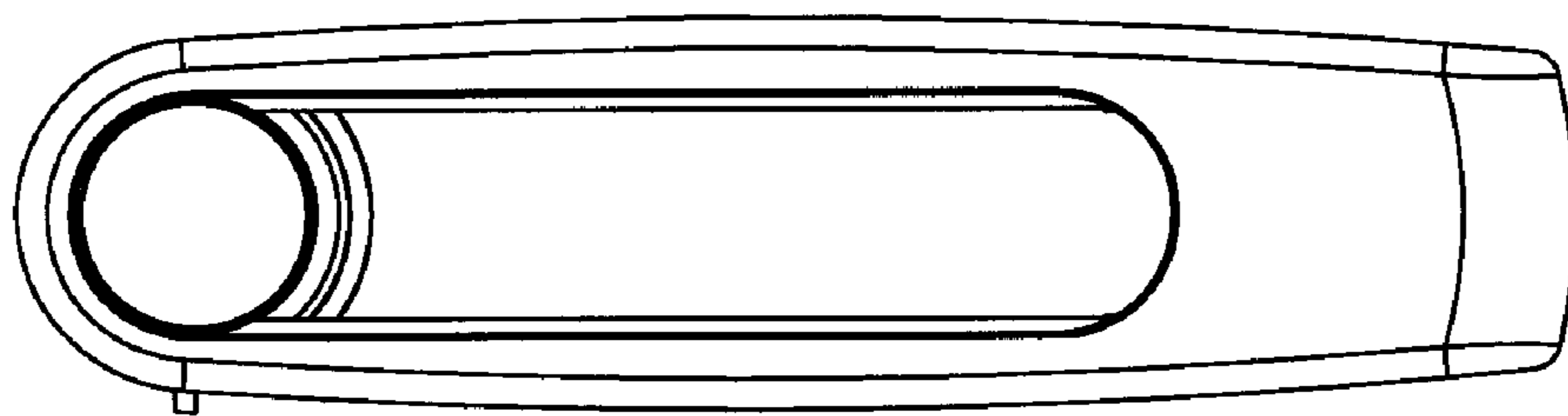


Fig. 3

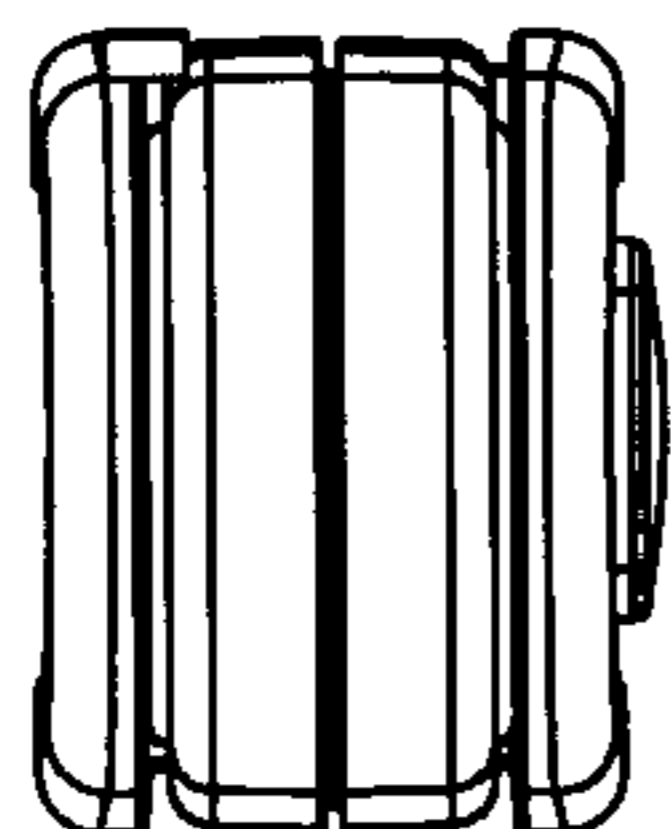


Fig. 4

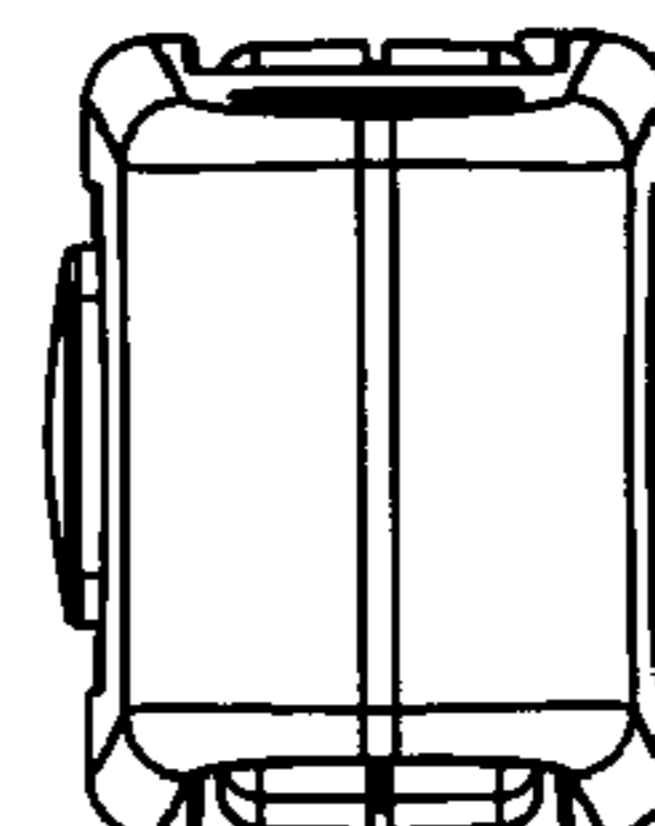


Fig. 5

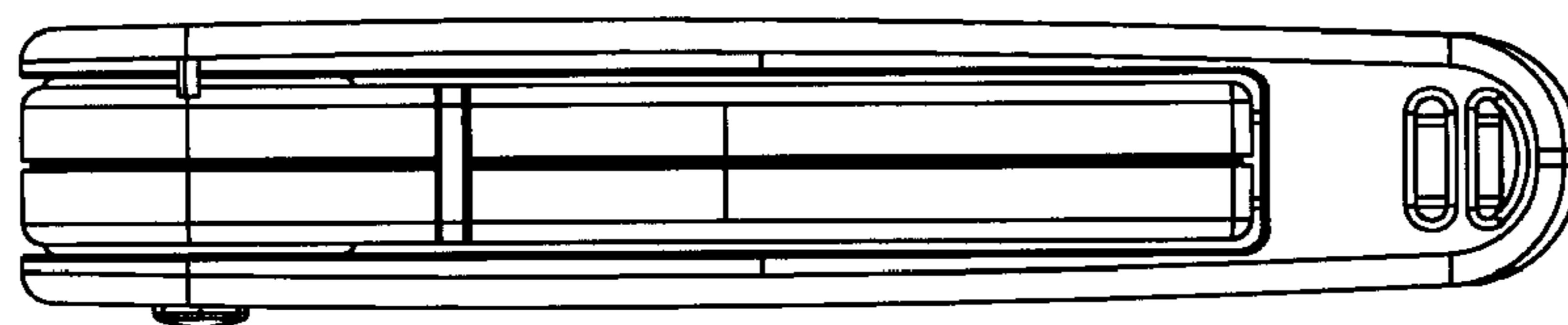


Fig. 6

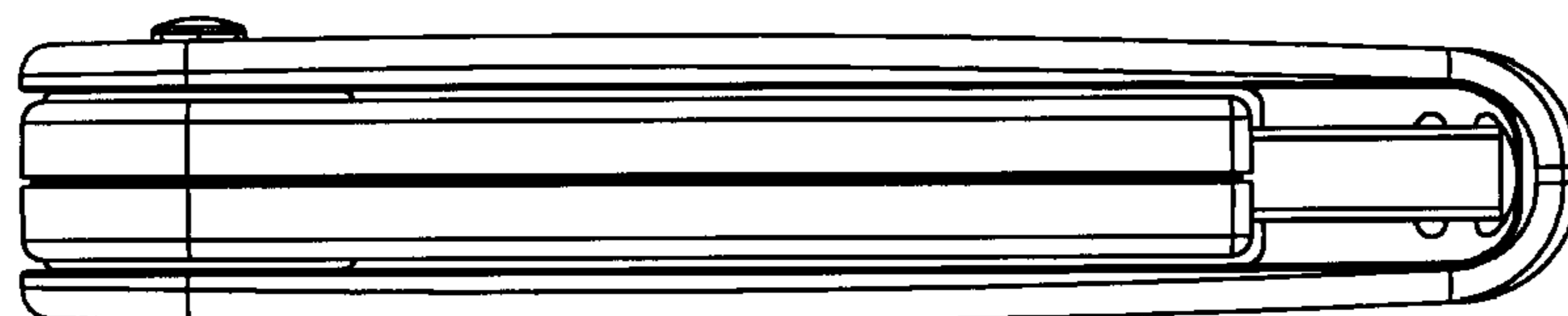


Fig. 7

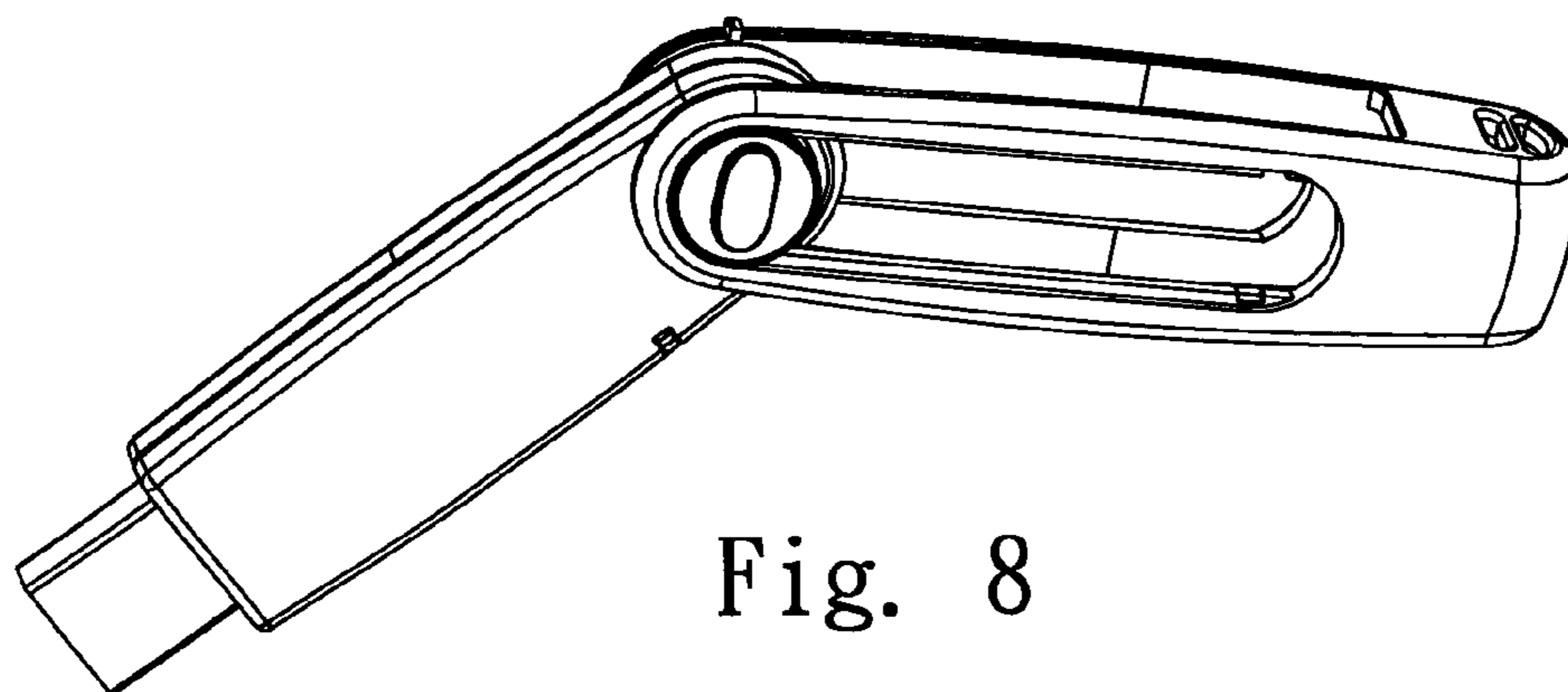


Fig. 8

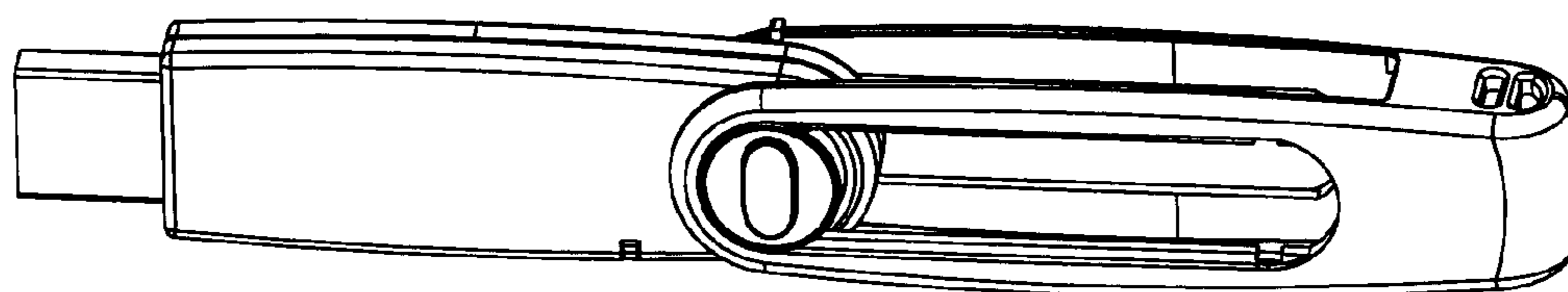


Fig. 9

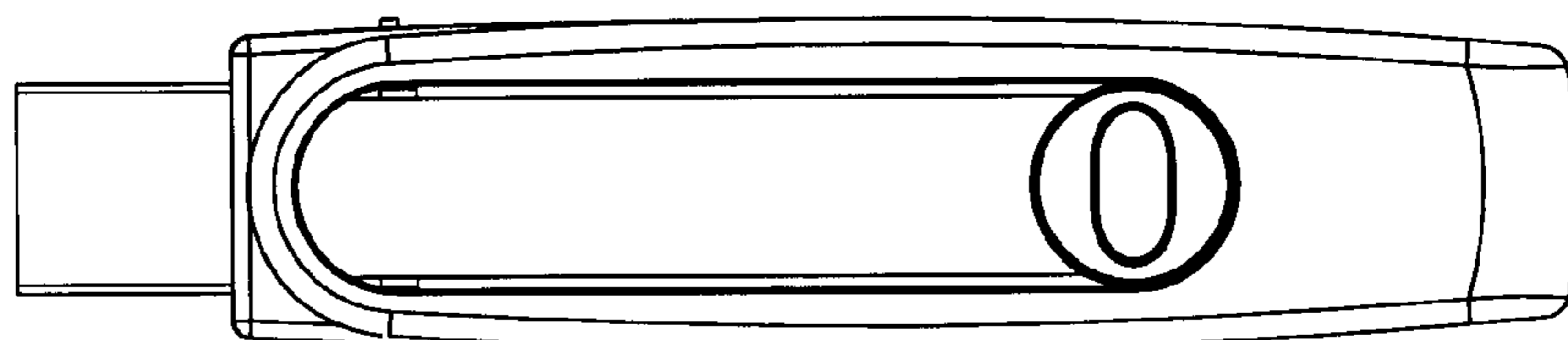


Fig. 10