



US00D520991S

(12) **United States Design Patent**  
**Ma et al.**

(10) **Patent No.: US D520,991 S**

(45) **Date of Patent: \*\* May 16, 2006**

(54) **WIRELESS COMMUNICATION INTERFACE MODULE**

(75) Inventors: **Jeong J. Ma**, Buffalo Grove, IL (US);  
**Ryan R. Rye**, Lawrenceville, GA (US)

(73) Assignee: **Motorola, Inc.**, Schaumburg, IL (US)

(\*\*) Term: **14 Years**

(21) Appl. No.: **29/219,996**

(22) Filed: **Dec. 23, 2004**

(51) **LOC (8) Cl. .... 14-03**

(52) **U.S. Cl. .... D14/240**

(58) **Field of Classification Search** ..... D14/137-8,  
D14/140, 147-148, 240, 356; D21/517  
See application file for complete search history.

(56) **References Cited**

**U.S. PATENT DOCUMENTS**

D281,776 S	*	12/1985	Griffin	.....	D14/417
D352,945 S	*	11/1994	Labohm	.....	D14/218
D368,721 S	*	4/1996	Howell et al.	.....	D14/240
D448,365 S	*	9/2001	Kerestegian et al.	.....	D14/240
D484,467 S	*	12/2003	de Leon	.....	D13/168
D487,263 S	*	3/2004	Wang et al.	.....	D14/247
D488,811 S	*	4/2004	Denhez	.....	D14/341
D494,157 S	*	8/2004	Wikel et al.	.....	D14/240
D494,948 S	*	8/2004	Cho	.....	D14/138
D496,031 S	*	9/2004	Ma et al.	.....	D14/240
D497,601 S	*	10/2004	Brandis	.....	D14/138

D497,613 S \* 10/2004 Gwee ..... D14/223

\* cited by examiner

*Primary Examiner*—Robin Webster

*Assistant Examiner*—Karen E. Patterson

(74) *Attorney, Agent, or Firm*—Lawrence J. Chapa

(57) **CLAIM**

The ornamental design for a wireless communication interface module, as shown and described.

**DESCRIPTION**

FIG. 1 is an isometric view of an ornamental design of a wireless communication interface module showing our new design.

FIG. 2 is a front orthographic view thereof.

FIG. 3 is a rear orthographic view thereof.

FIG. 4 is a top orthographic view thereof.

FIG. 5 is a bottom orthographic view thereof.

FIG. 6 is a right side orthographic view thereof.

FIG. 7 is a left side orthographic view thereof.

FIG. 8 is an isometric view of an ornamental design of a second embodiment of a wireless communication interface module showing our new design.

FIG. 9 is a front orthographic view thereof.

FIG. 10 is a rear orthographic view thereof.

FIG. 11 is a top orthographic view thereof.

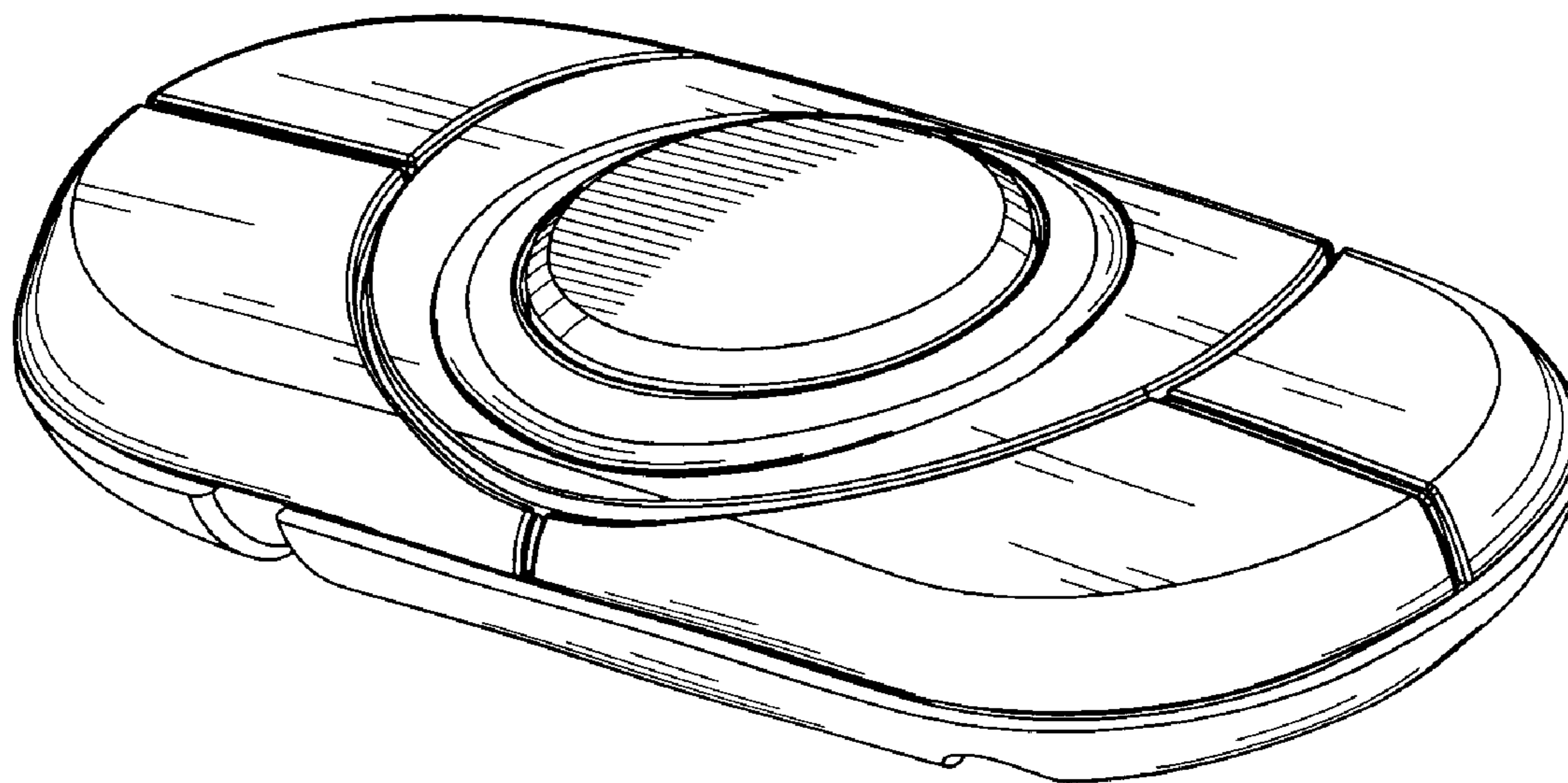
FIG. 12 is a bottom orthographic view thereof.

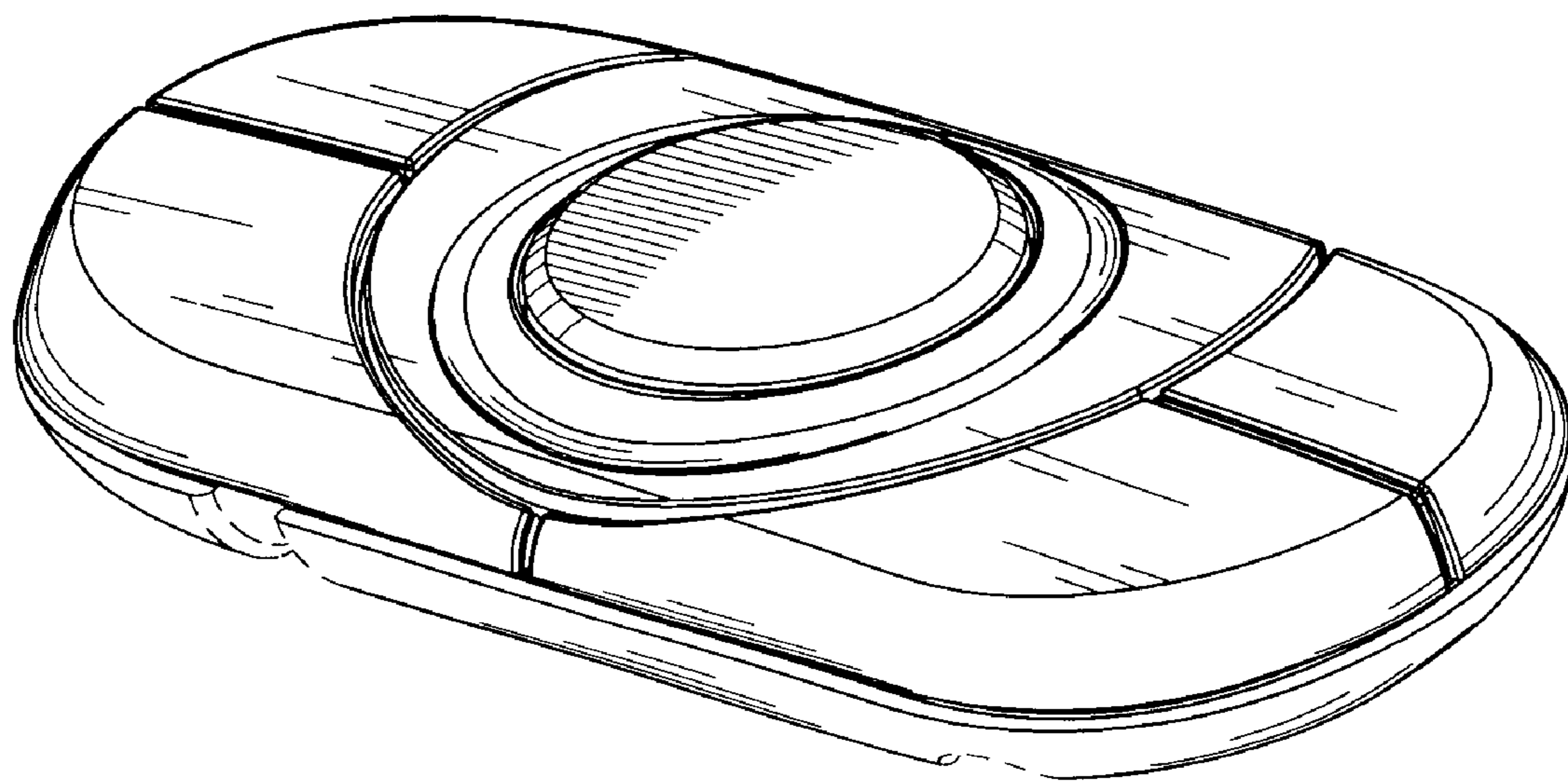
FIG. 13 is a right side orthographic view thereof; and,

FIG. 14 is a left side orthographic view thereof.

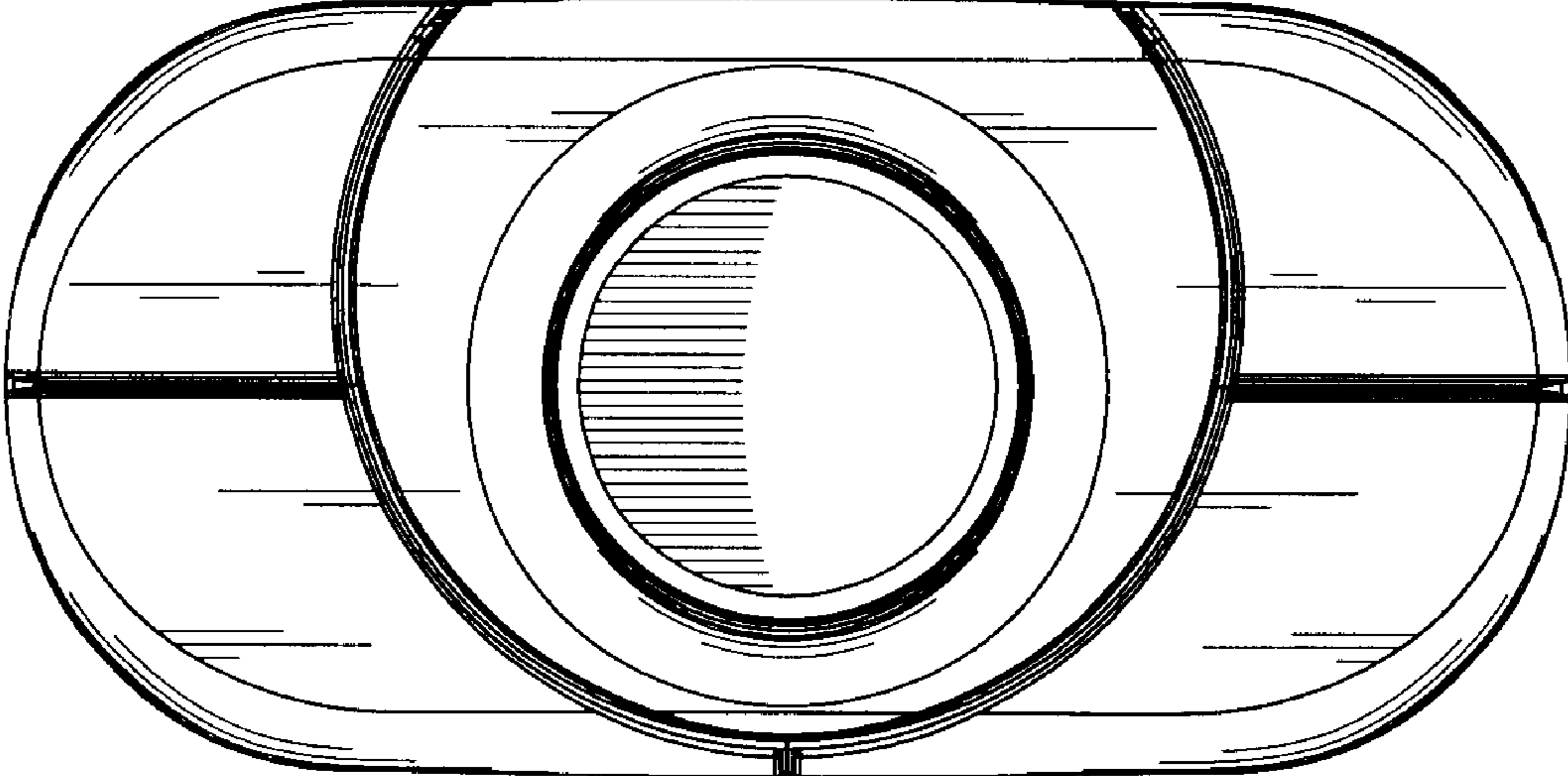
The broken lines shown in FIGS. 1-7 are included for the purpose of illustrating environmental elements only and form no part of the claimed design.

**1 Claim, 8 Drawing Sheets**

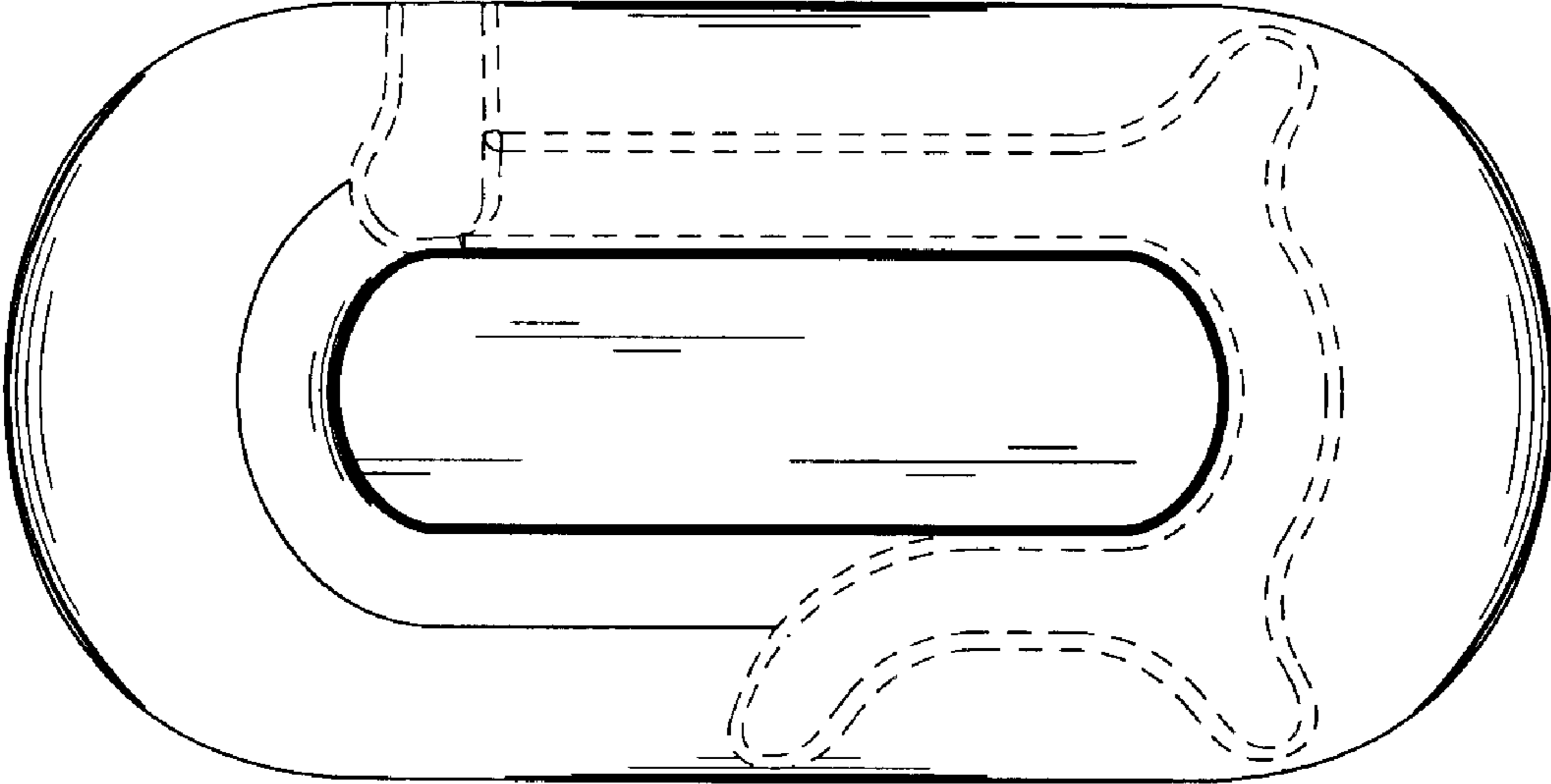




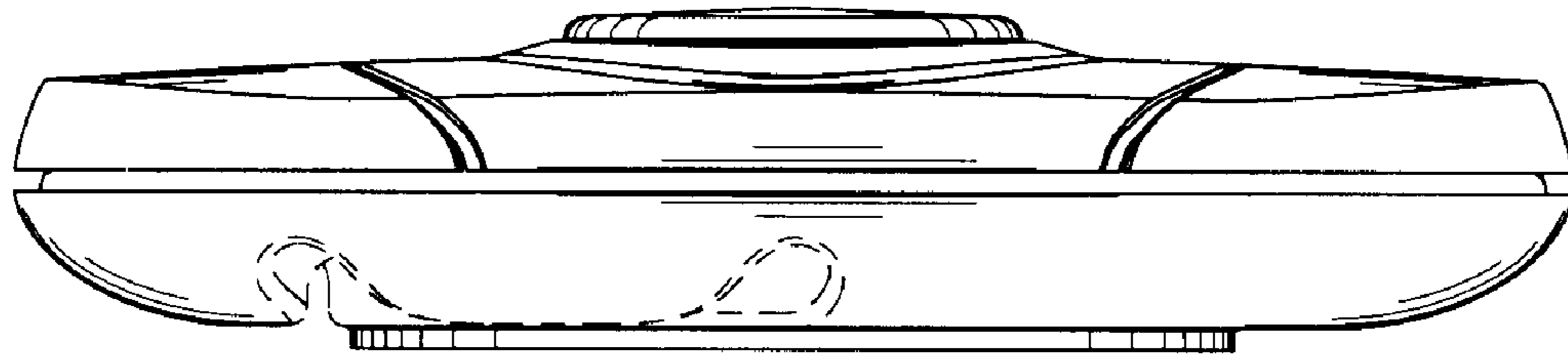
*FIG. 1*



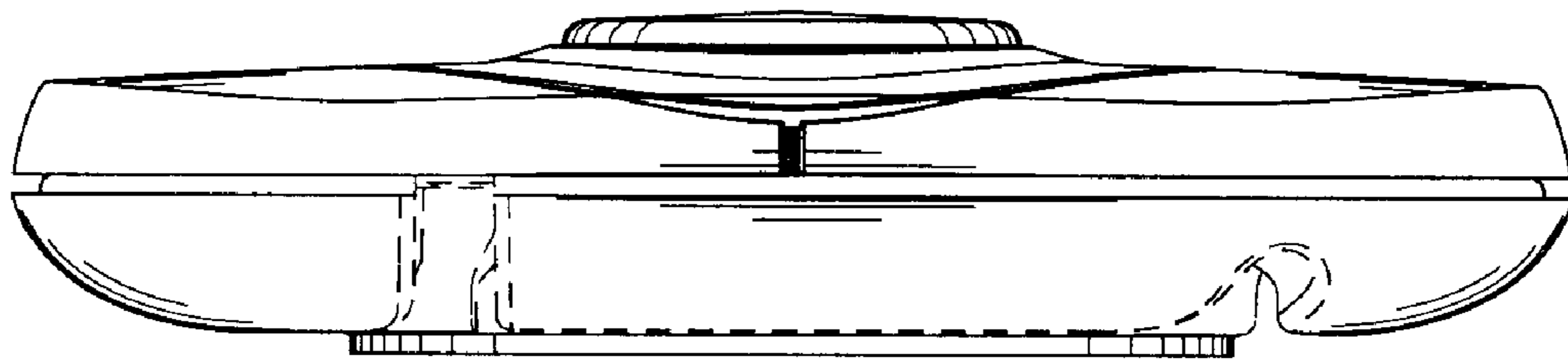
*FIG. 2*



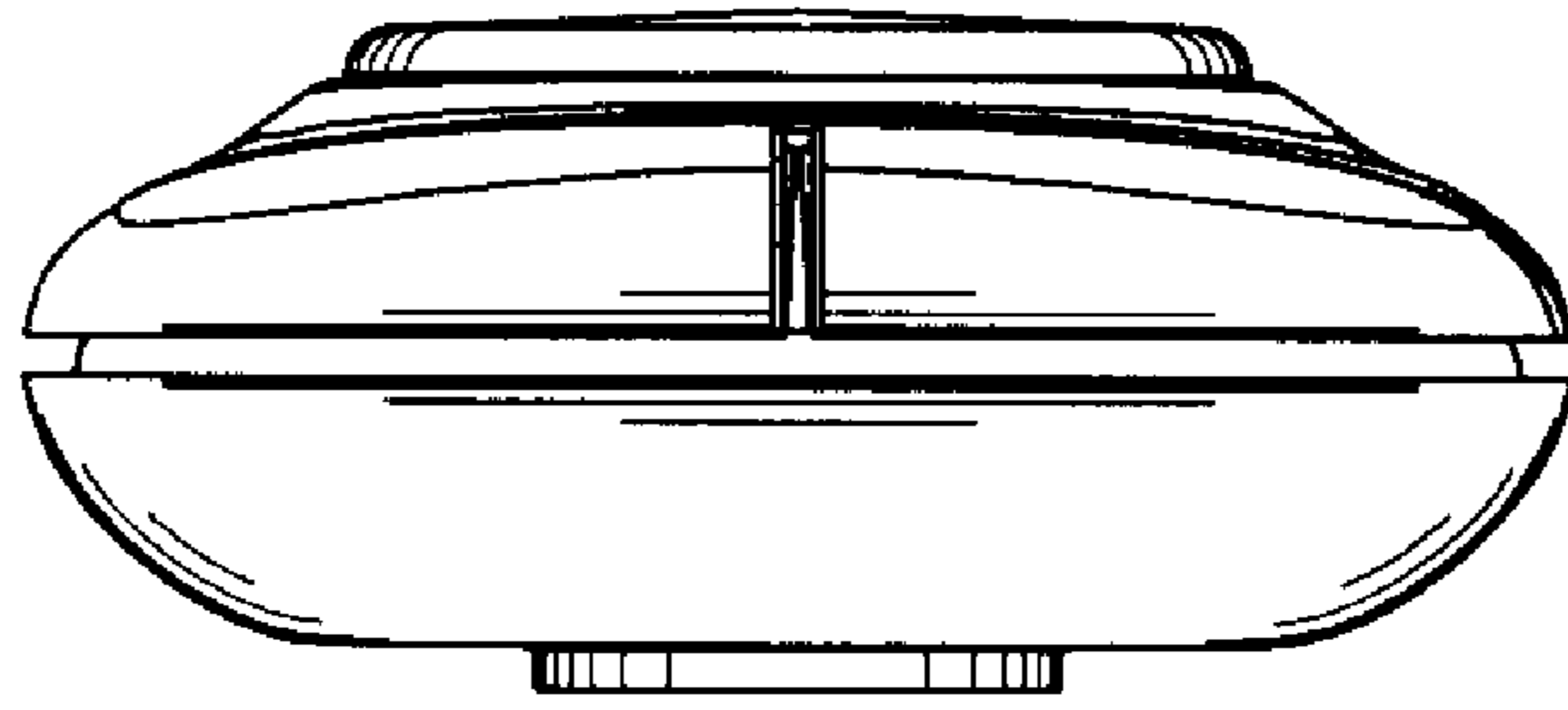
*FIG. 3*



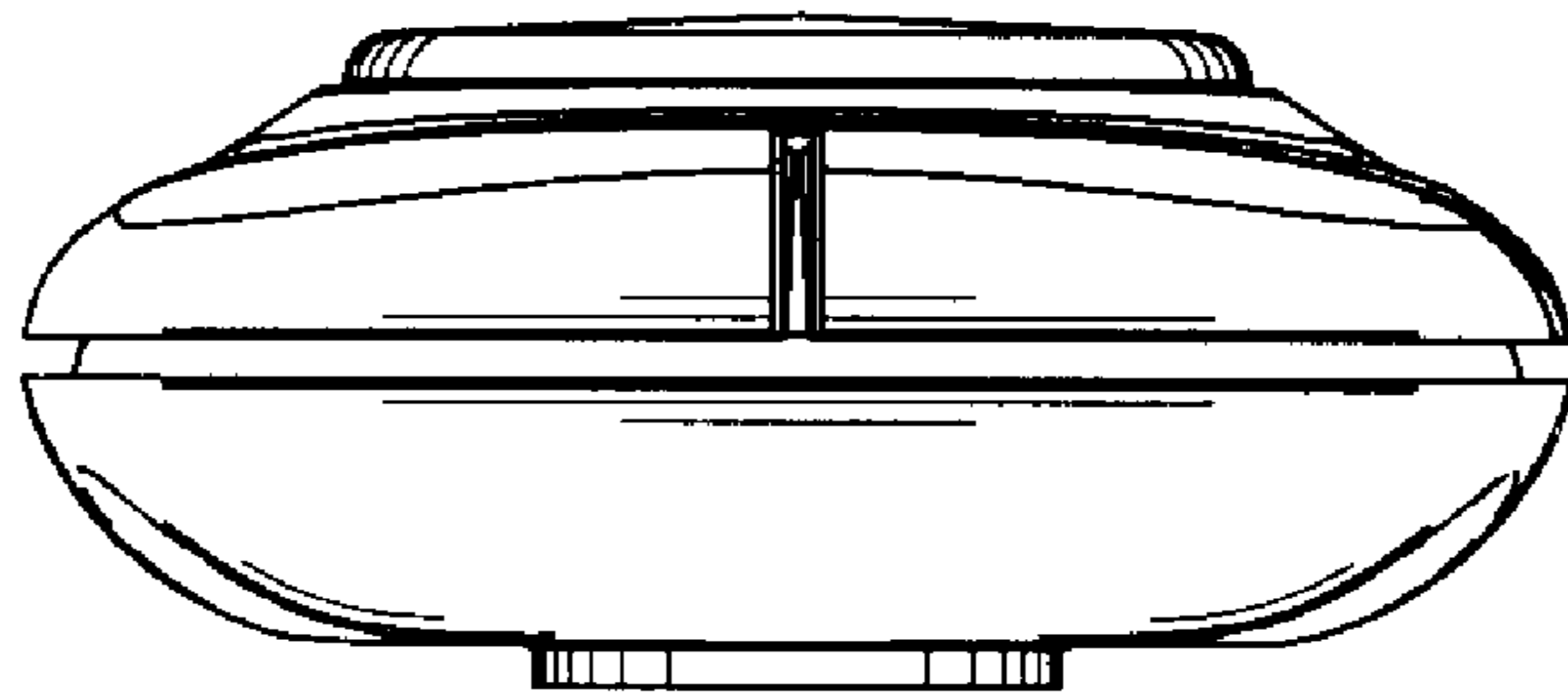
*FIG. 4*



*FIG. 5*

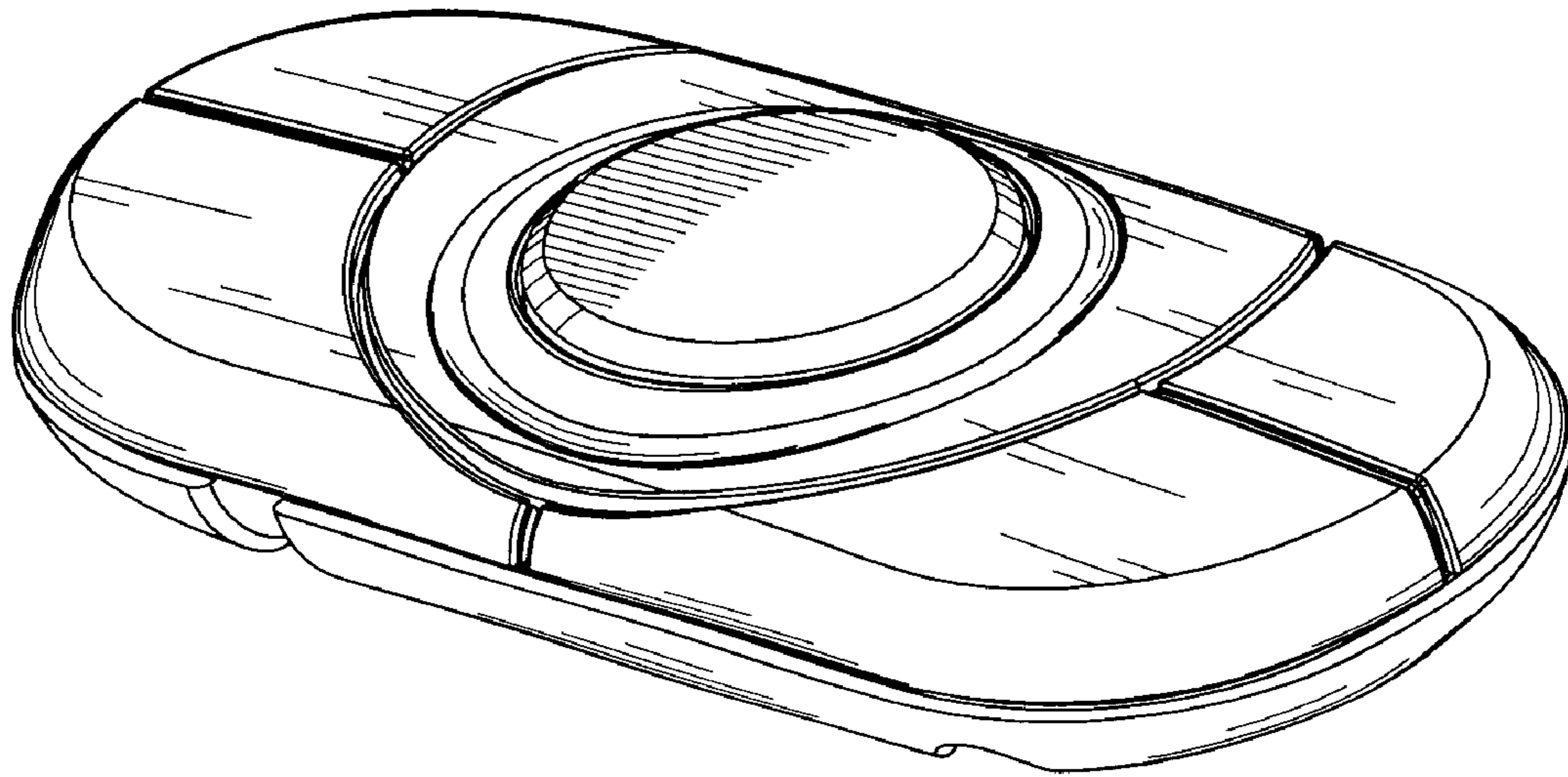


*FIG. 6*

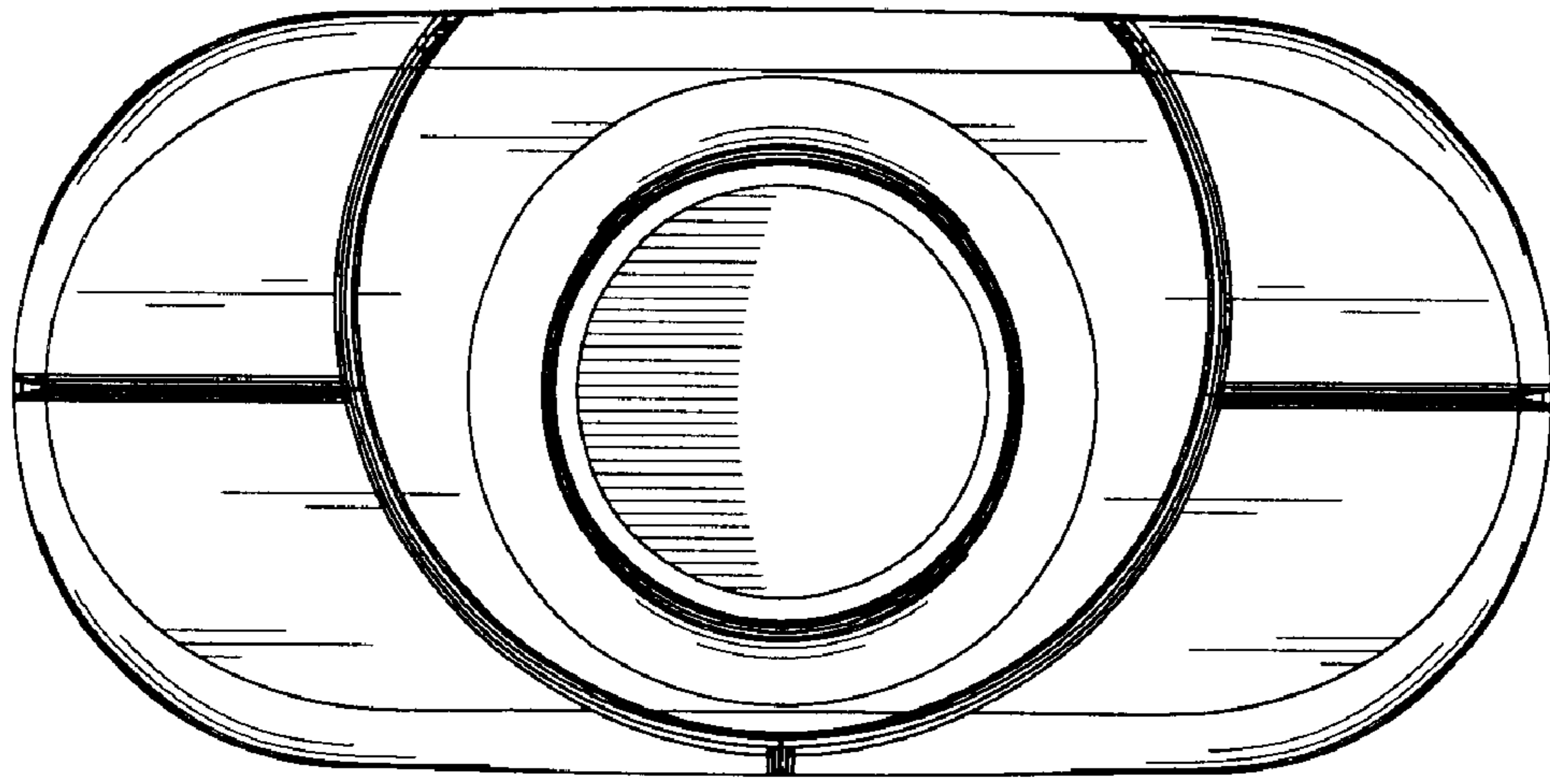


*FIG. 7*

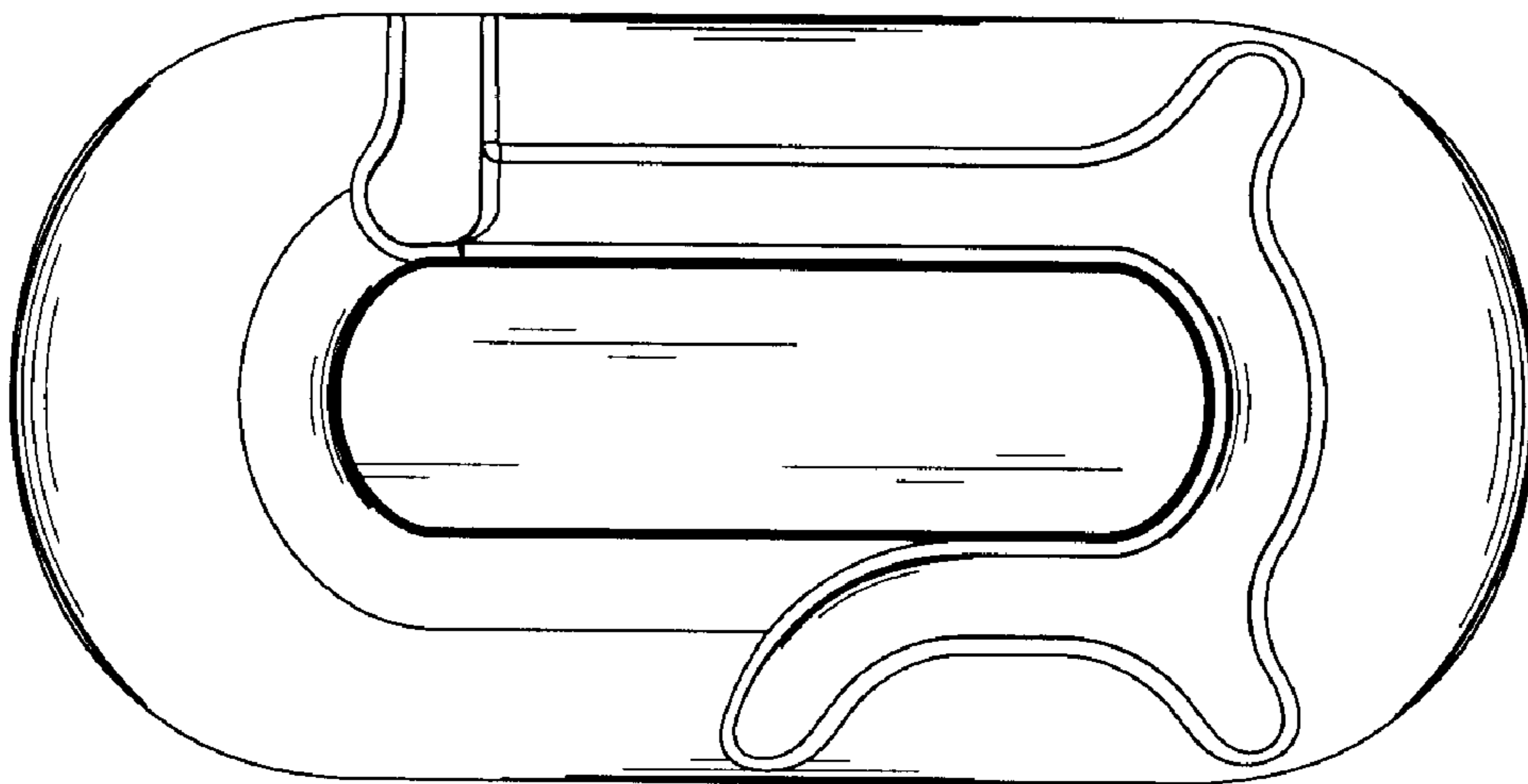




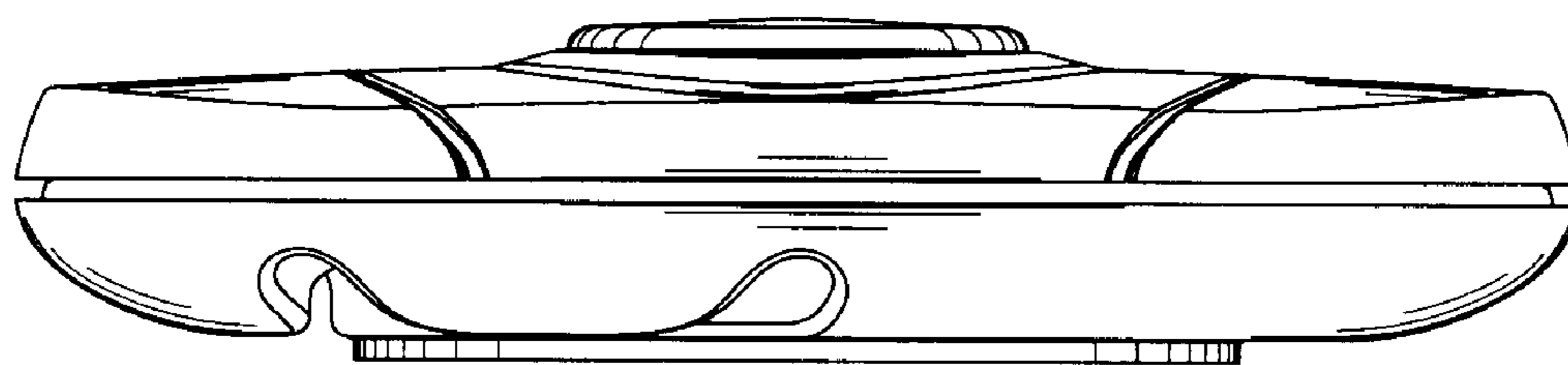
*FIG. 8*



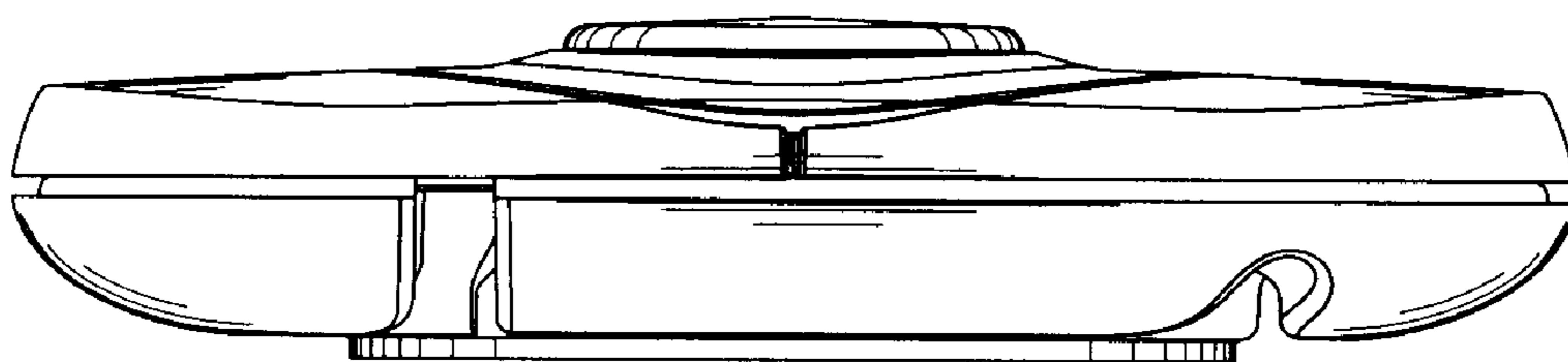
*FIG. 9*



*FIG. 10*

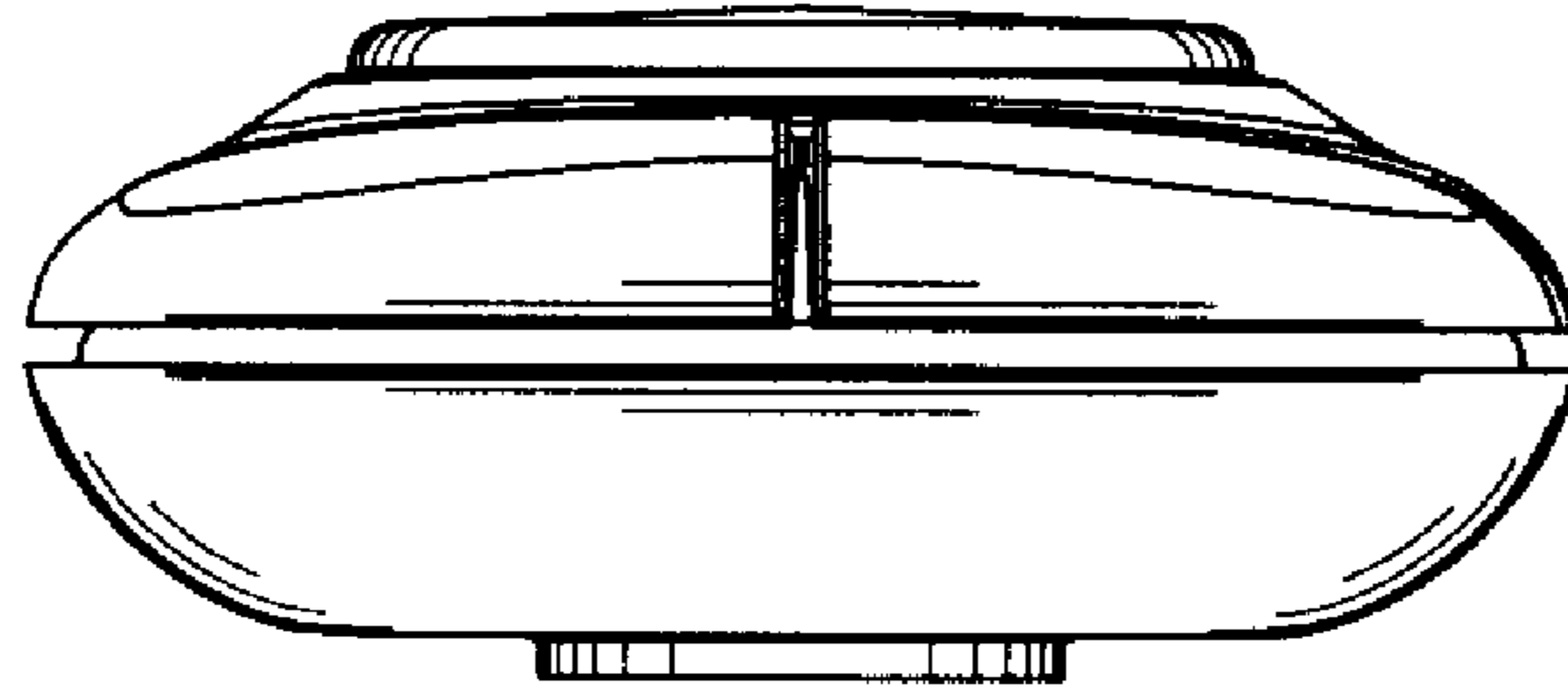


*FIG. 11*

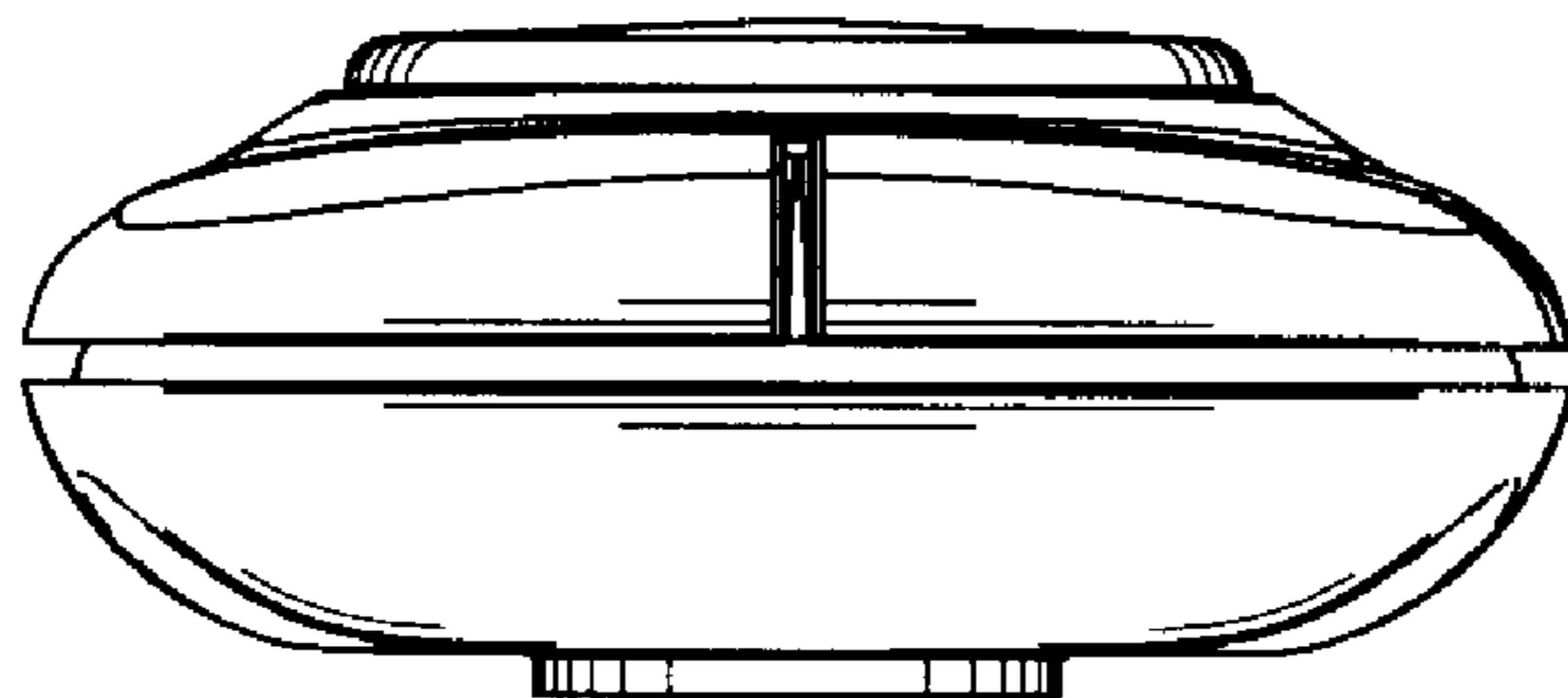


*FIG. 12*





*FIG. 13*



*FIG. 14*