

US00D520989S

(12) **United States Design Patent**  
**Miller**

(10) **Patent No.:** **US D520,989 S**

(45) **Date of Patent:** **\*\* May 16, 2006**

(54) **TOUCH SCREEN REMOTE CONTROL**

(75) Inventor: **John Matthew Miller**, Indianapolis, IN  
(US)

(73) Assignee: **Thomson Licensing, S.A.**,  
Boulogne-Billancourt (FR)

(\*\*) Term: **14 Years**

(21) Appl. No.: **29/234,302**

(22) Filed: **Jul. 15, 2005**

(51) **LOC (8) Cl.** ..... **14-03**

(52) **U.S. Cl.** ..... **D14/218**

(58) **Field of Classification Search** ..... D14/174,  
D14/217, 218, 137-139, 151, 191-193, 299,  
D14/167, 168; D13/168, 162-164; D21/512-517,  
D21/566; D10/104, 106; 455/352-355, 151.1-151.4,  
455/128, 347, 90.3; 348/114, 734  
See application file for complete search history.

(56) **References Cited**

**U.S. PATENT DOCUMENTS**

D348,268 S \* 6/1994 Chambers ..... D14/218  
D423,508 S \* 4/2000 Nakajima ..... D14/218

D426,826 S \* 6/2000 Uehara ..... D14/218  
D478,894 S \* 8/2003 Oikawa ..... D14/218  
D501,463 S \* 2/2005 Hisatsune ..... D14/218

\* cited by examiner

*Primary Examiner*—Louis S. Zarfaz

*Assistant Examiner*—John Windmuller

(74) *Attorney, Agent, or Firm*—Fletcher Yoder

(57) **CLAIM**

The ornamental design for a touch screen remote control, as shown and described.

**DESCRIPTION**

FIG. 1 is a top perspective view of a remote control showing my new design;

FIG. 2 is a top plan view thereof;

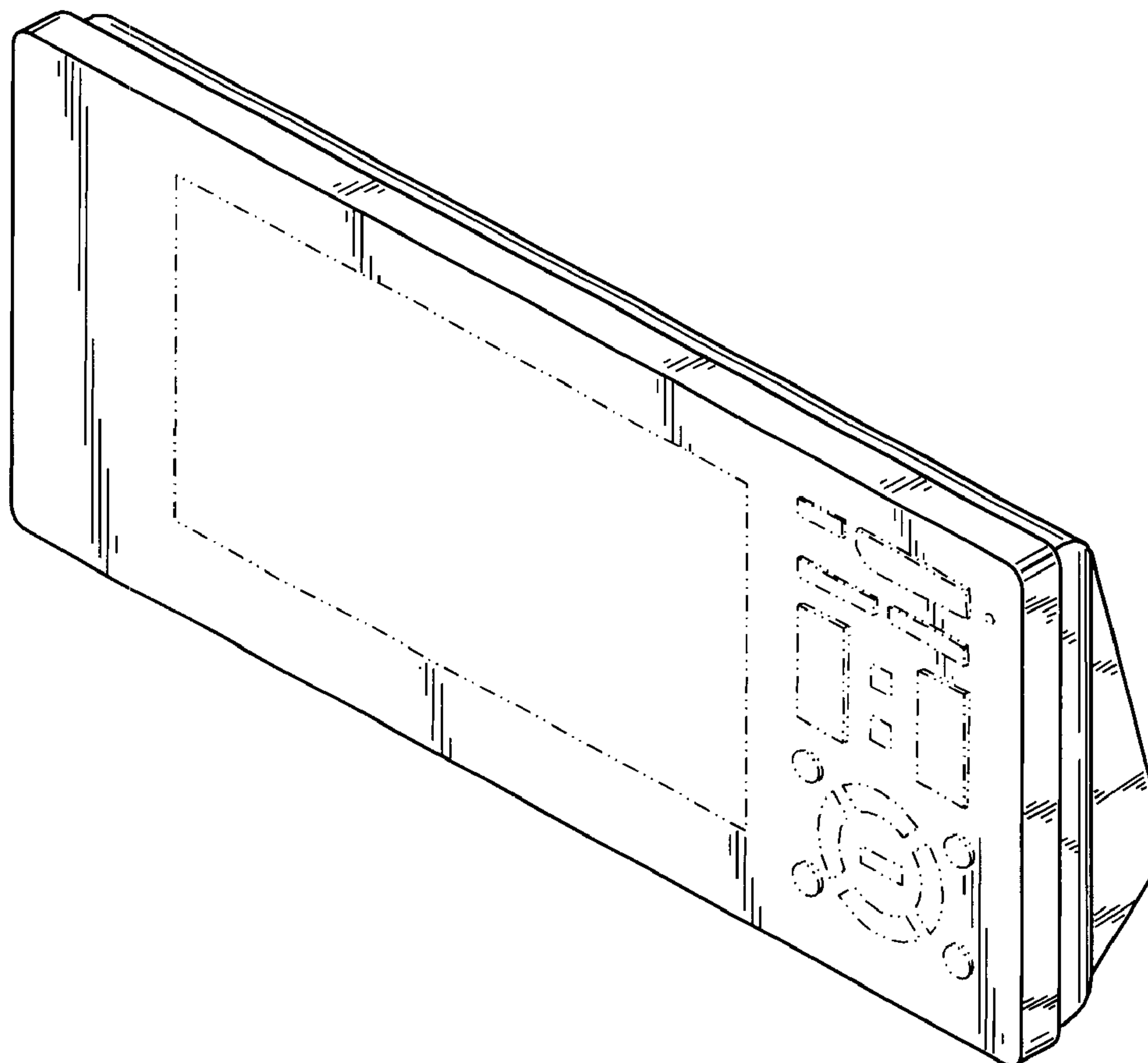
FIG. 3 is a front elevational view thereof;

FIG. 4 is a right side elevational view thereof, the left side elevational view being a mirror image; and,

FIG. 5 is a bottom plan view thereof.

The broken lines provided in the above views are used to indicate environmental structures and form no part of the claimed design.

**1 Claim, 3 Drawing Sheets**



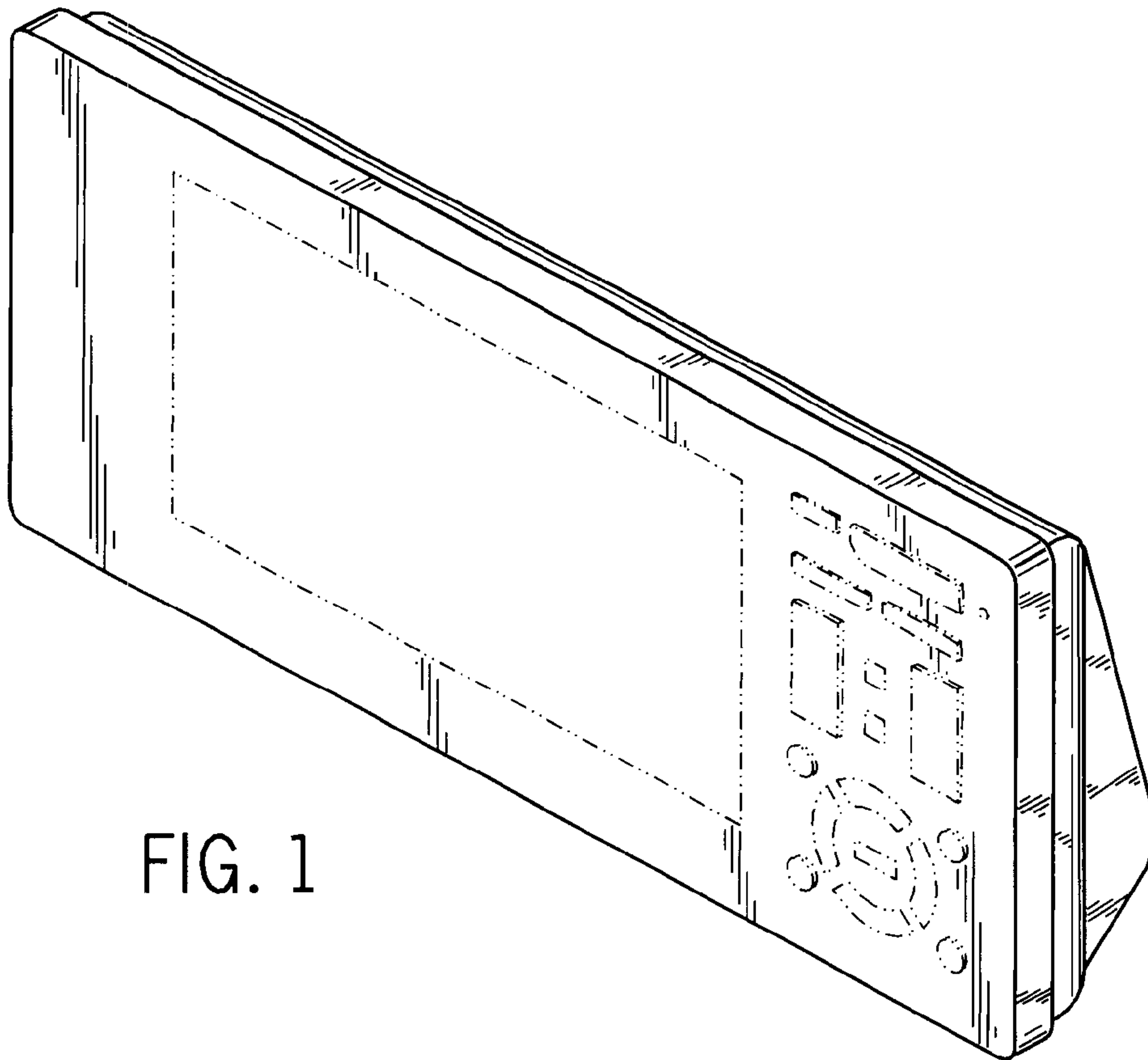


FIG. 1

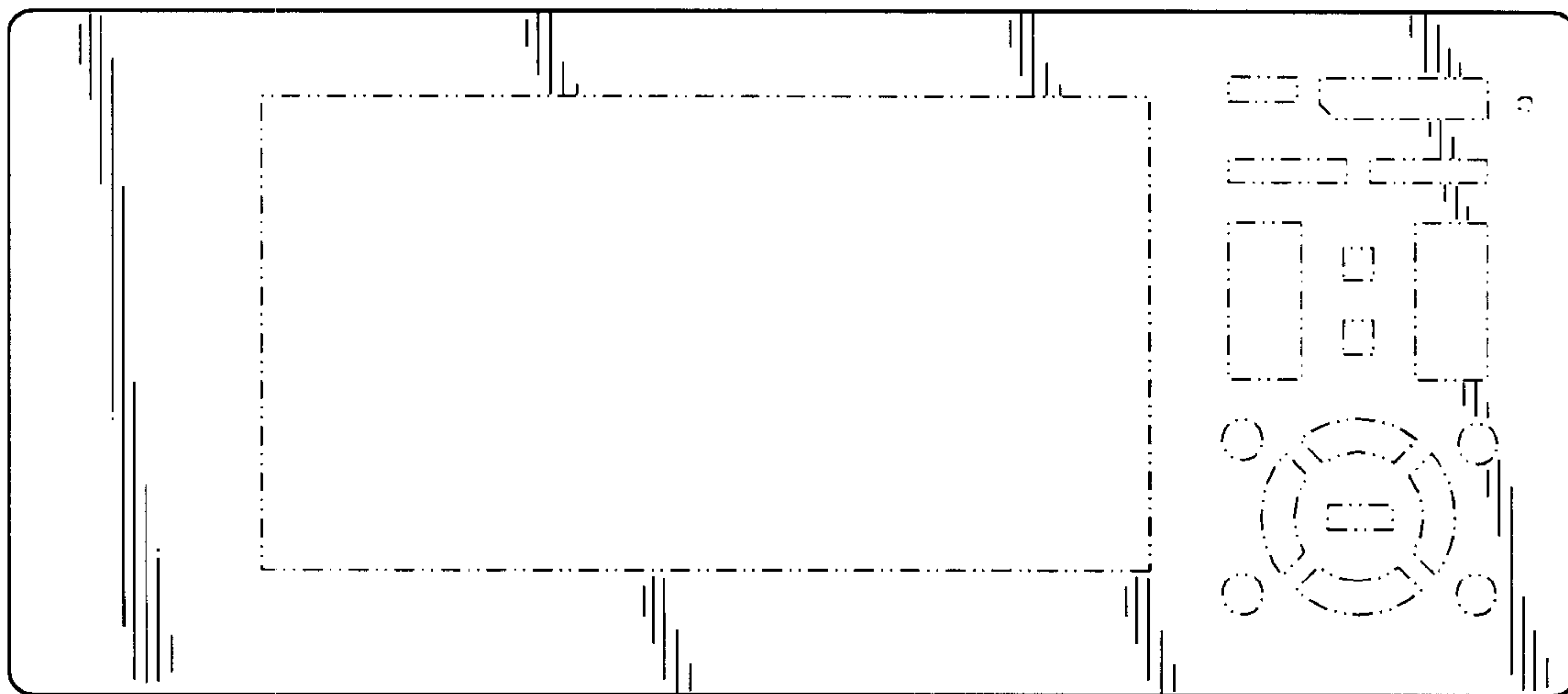


FIG. 2

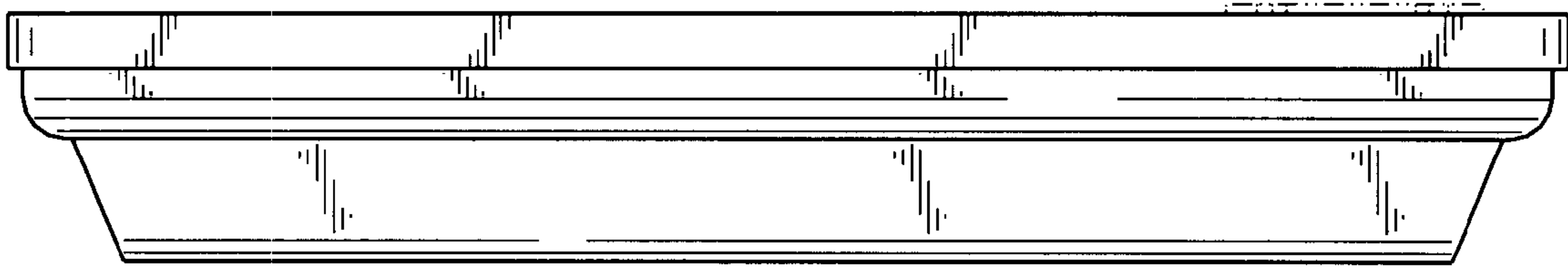


FIG. 3

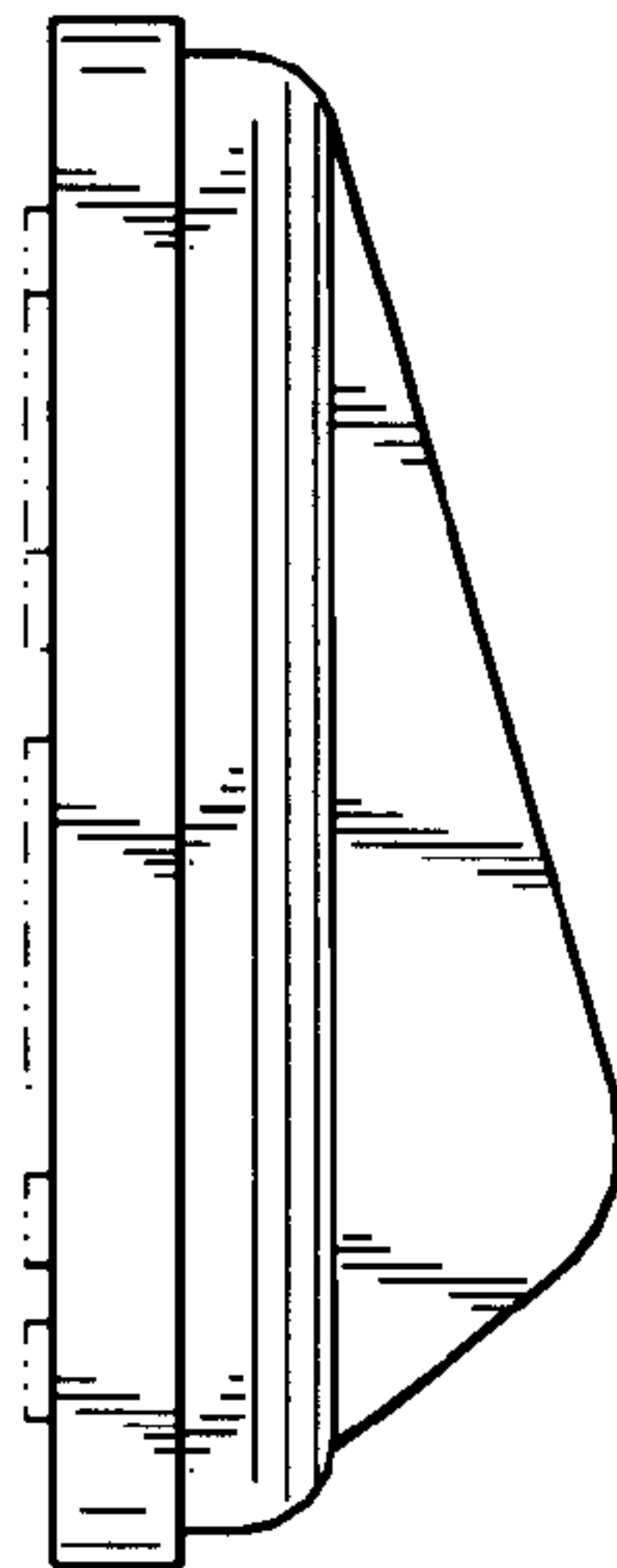


FIG. 4

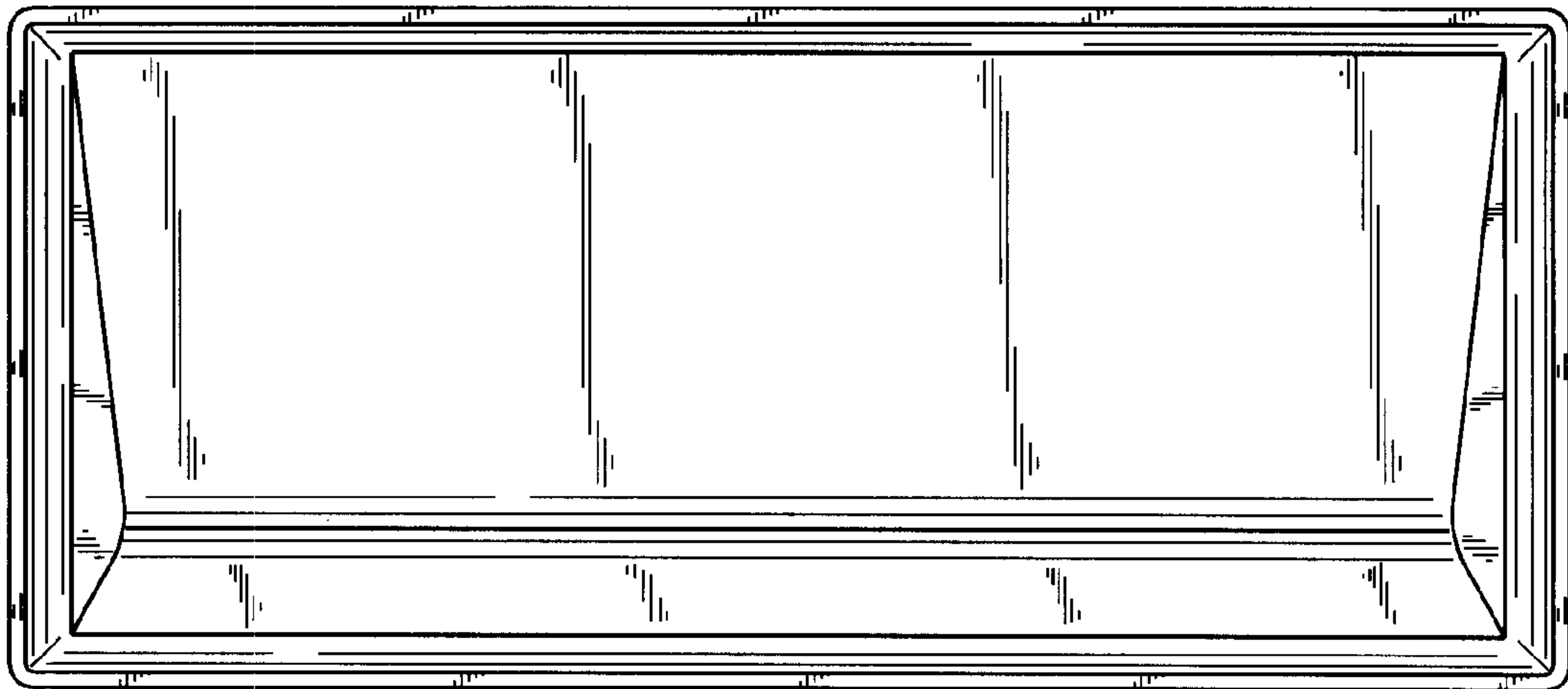


FIG. 5