



US00D520986S

(12) **United States Design Patent**
Lowinger

(10) **Patent No.:** **US D520,986 S**

(45) **Date of Patent:** **** May 16, 2006**

(54) **PLUG AND PLAY SATELLITE RADIO AND VEHICLE KIT WITH ROTATING DISPLAY DEVICE**

(76) Inventor: **Ben Lowinger**, 105 Madison Ave., New York, NY (US) 10016-7418

(**) Term: **14 Years**

(21) Appl. No.: **29/233,754**

(22) Filed: **Jul. 11, 2005**

(51) **LOC (8) Cl.** **14-03**

(52) **U.S. Cl.** **D14/188**

(58) **Field of Classification Search** D14/188, D14/204, 192-198, 216, 265, 137, 496; 455/347-351, 455/403, 3.06, 130; 369/1, 6-12
See application file for complete search history.

(56) **References Cited**

U.S. PATENT DOCUMENTS

- D154,143 S * 6/1949 Reed D14/169
- 4,491,979 A * 1/1985 Ogasawara et al. 455/344
- D325,734 S * 4/1992 Miyai D14/189
- D363,484 S * 10/1995 Klitsner et al. D14/196

- D376,597 S * 12/1996 Hiller D14/189
- 6,061,229 A * 5/2000 Gates et al. 361/610
- D447,130 S * 8/2001 Scott et al. D14/194
- D486,816 S * 2/2004 Nakajima et al. D14/169
- D500,487 S * 1/2005 Concari et al. D14/188

* cited by examiner

Primary Examiner—Prabhakar Deshmukh

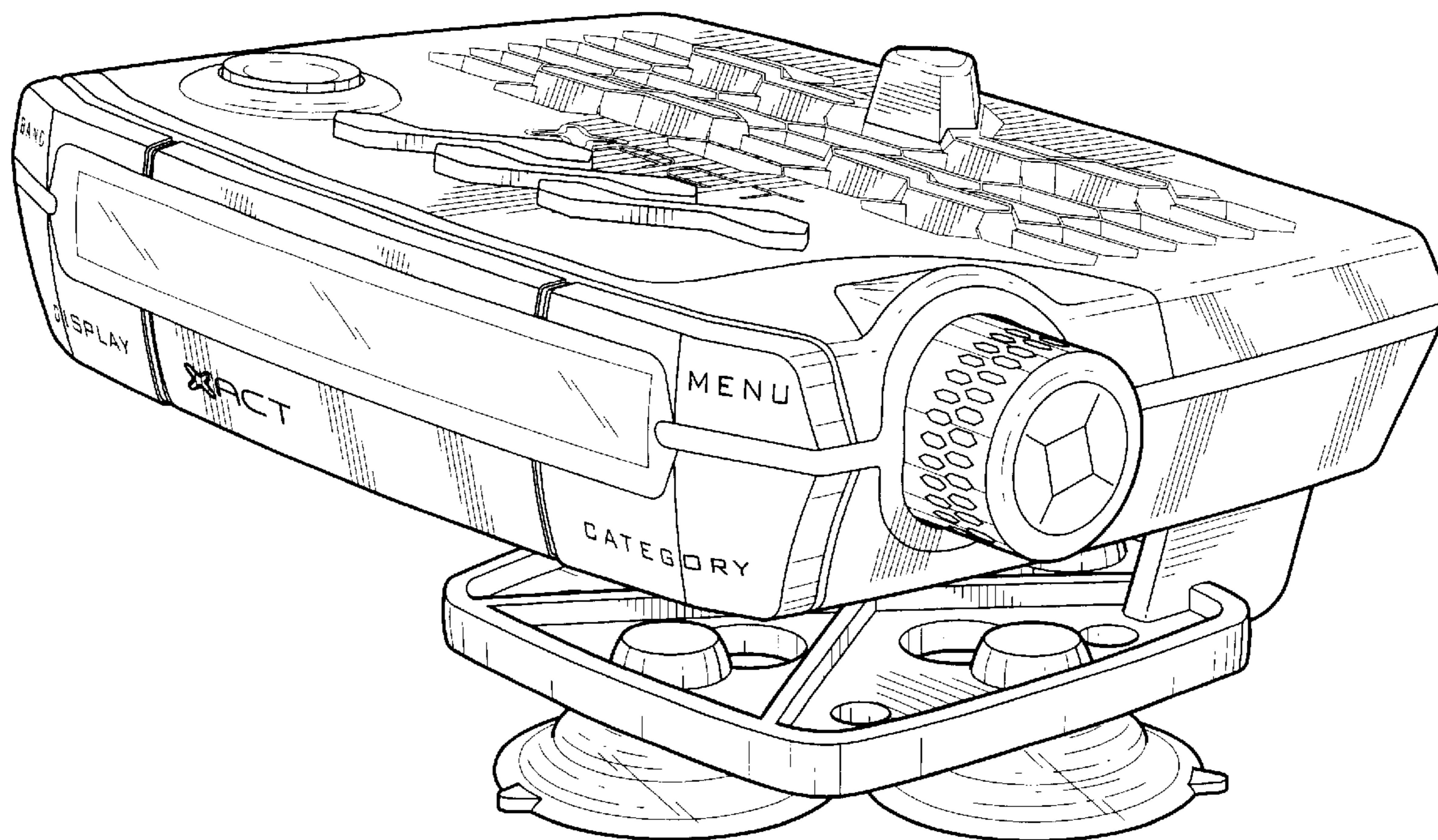
(57) **CLAIM**

The ornamental design for a plug and play satellite radio and vehicle kit with rotating display device, as shown and described.

DESCRIPTION

FIG. 1 is a top, front and right side perspective view of a plug and play satellite radio and vehicle kit rotating display device showing my new design;
 FIG. 2 is a top, rear and left side perspective view thereof;
 FIG. 3 is a top plan view thereof;
 FIG. 4 is an exploded view of FIG. 1;
 FIG. 5 is an exploded bottom view; and,
 FIG. 6 is a front perspective view showing the device rotated at an alternate angle to its base.

1 Claim, 6 Drawing Sheets



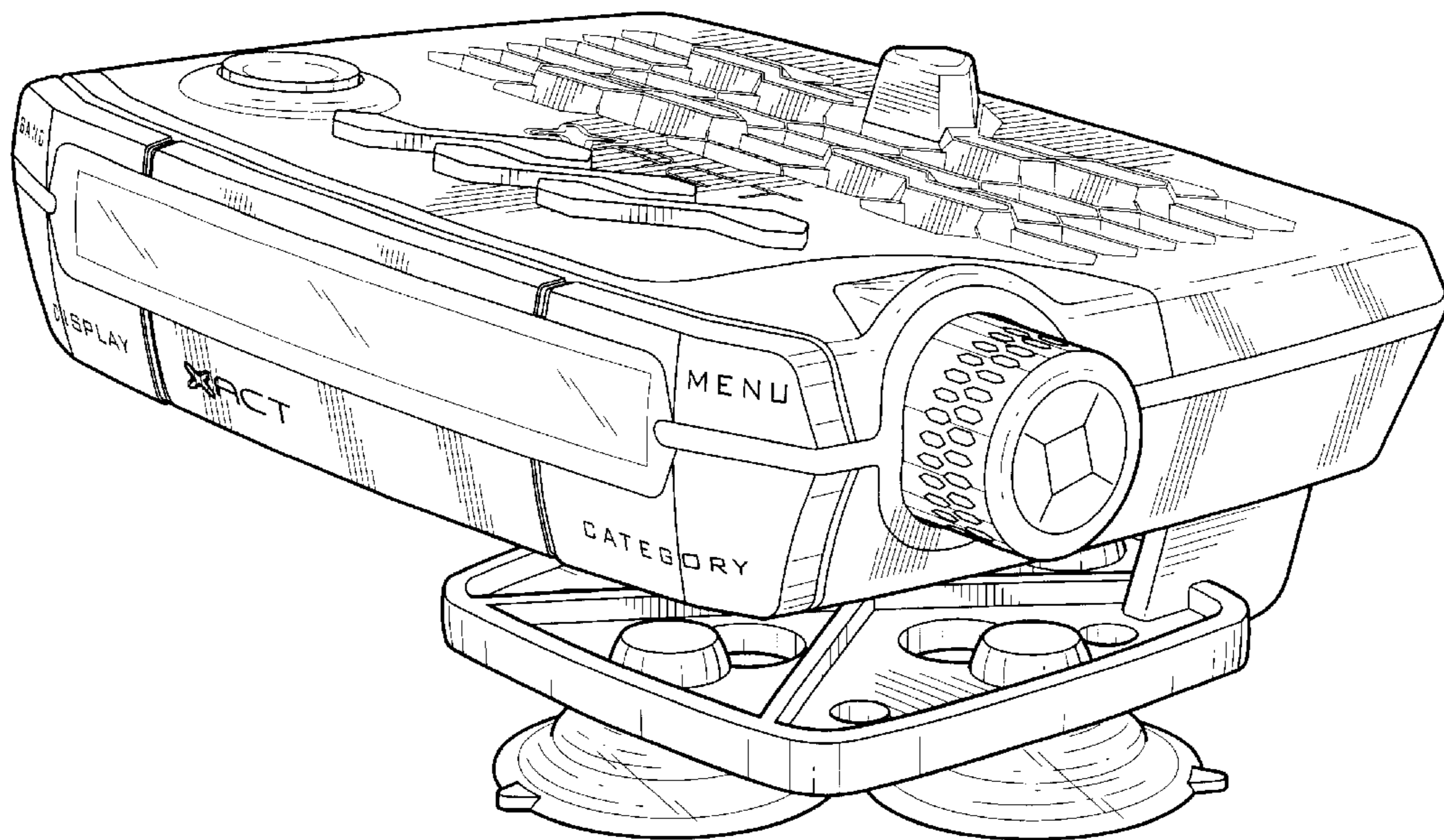


FIG. 1

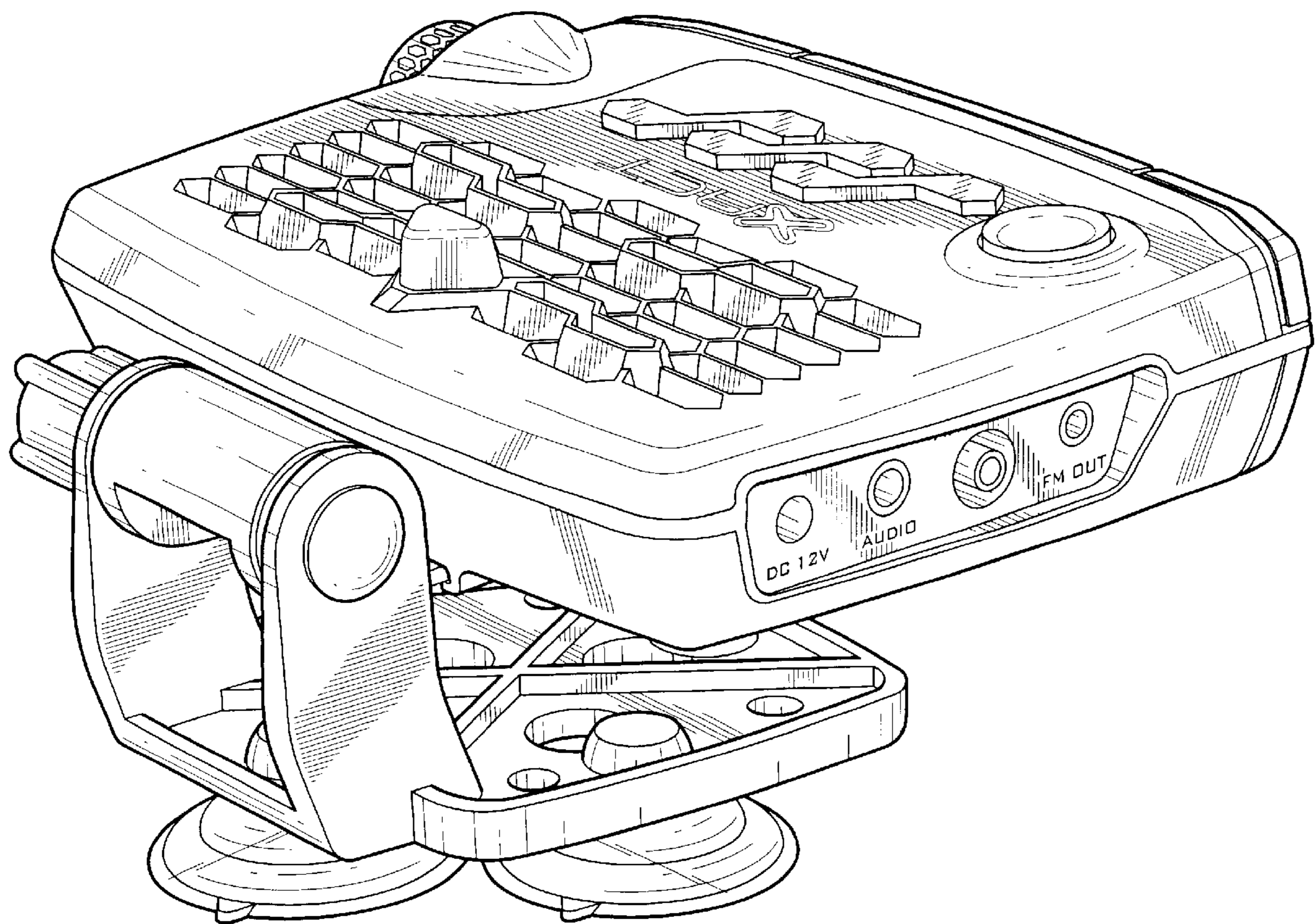


FIG. 2

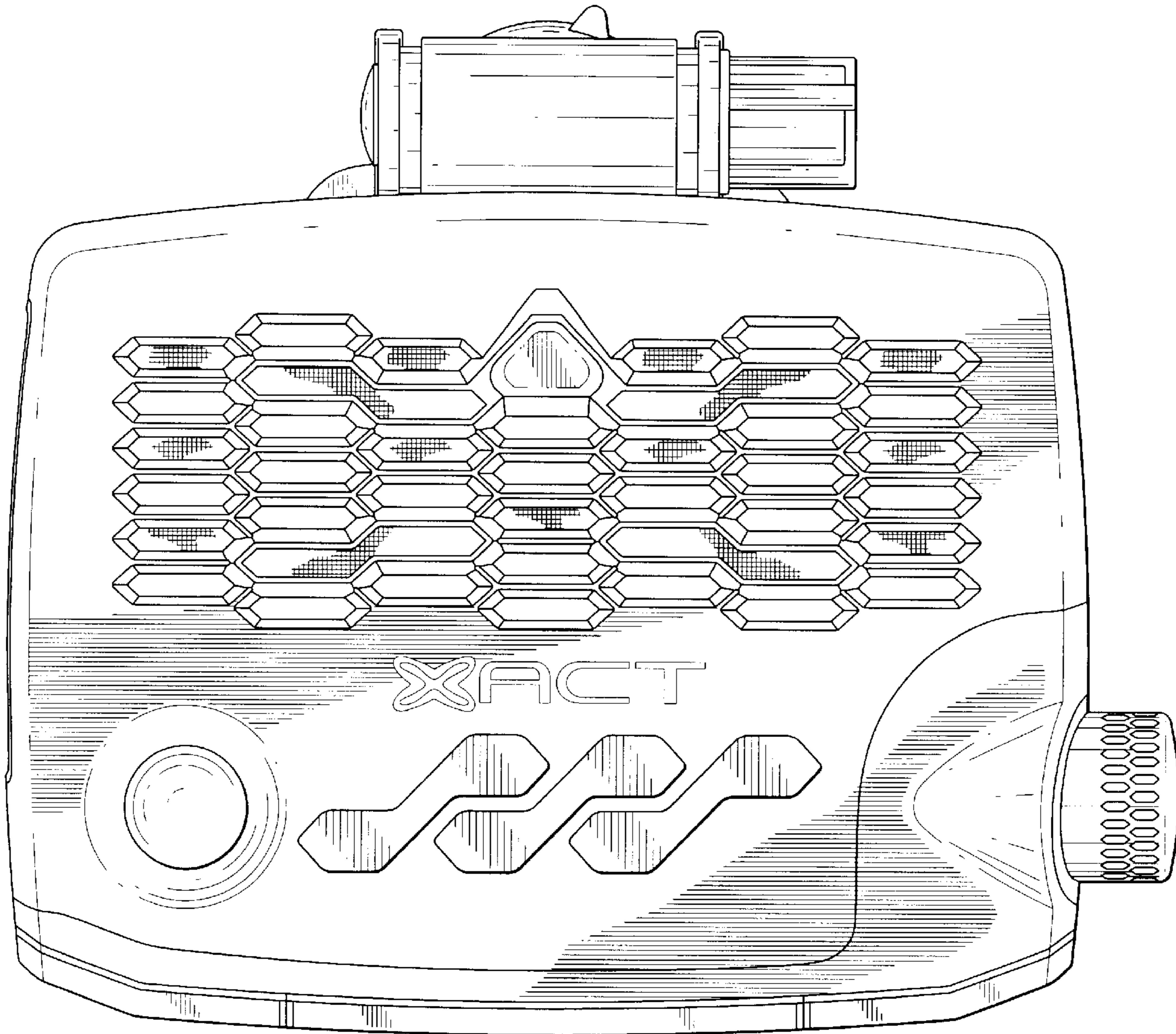
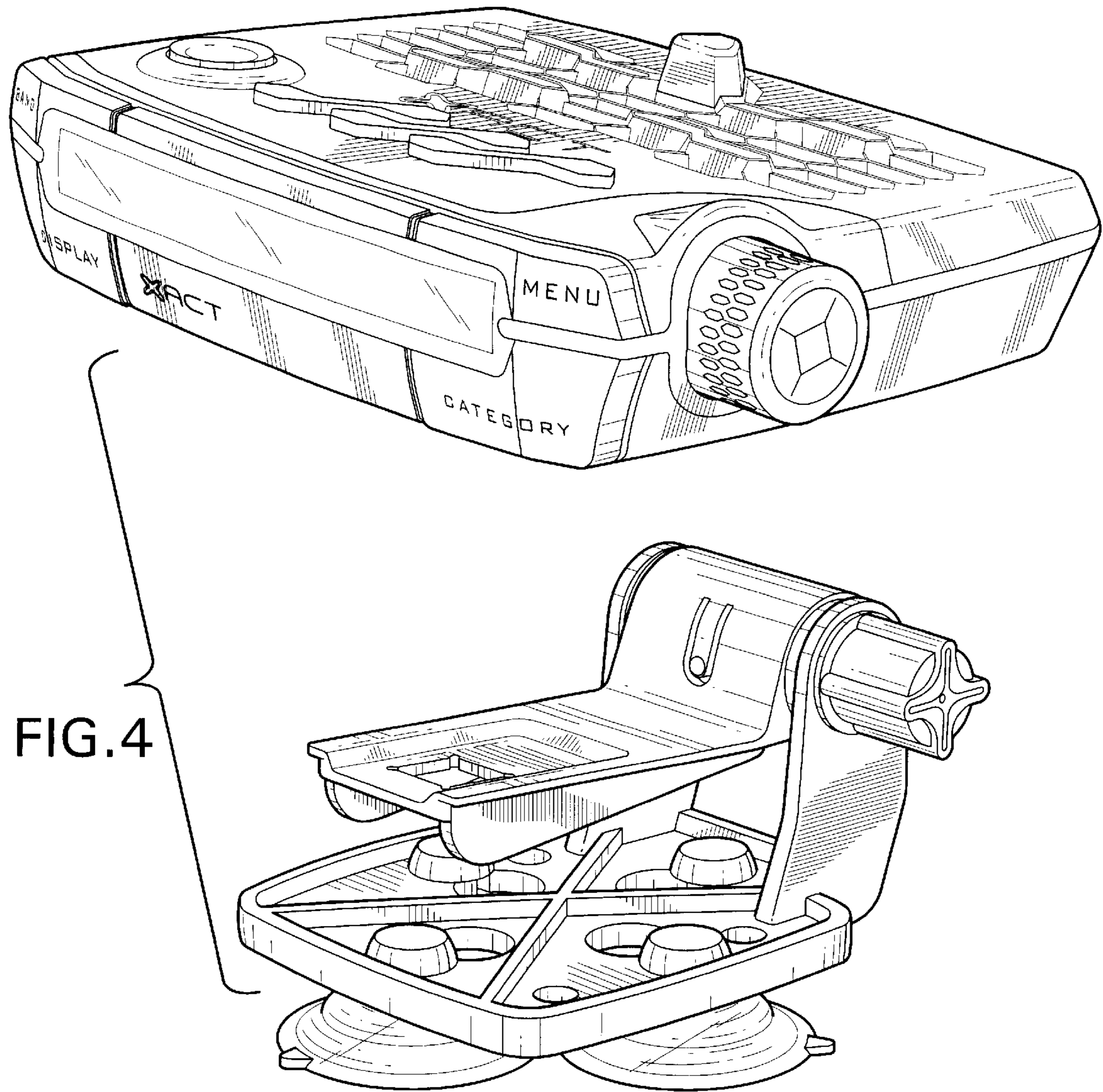


FIG. 3



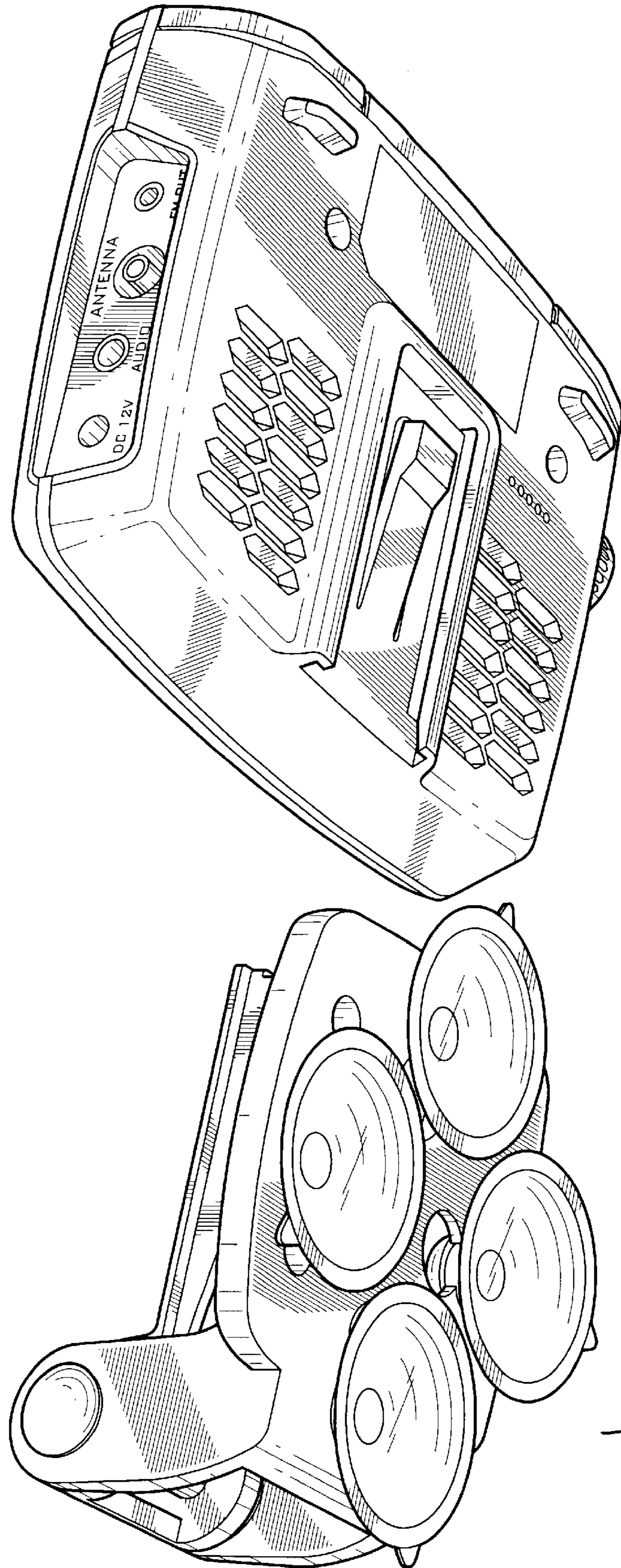


FIG. 5

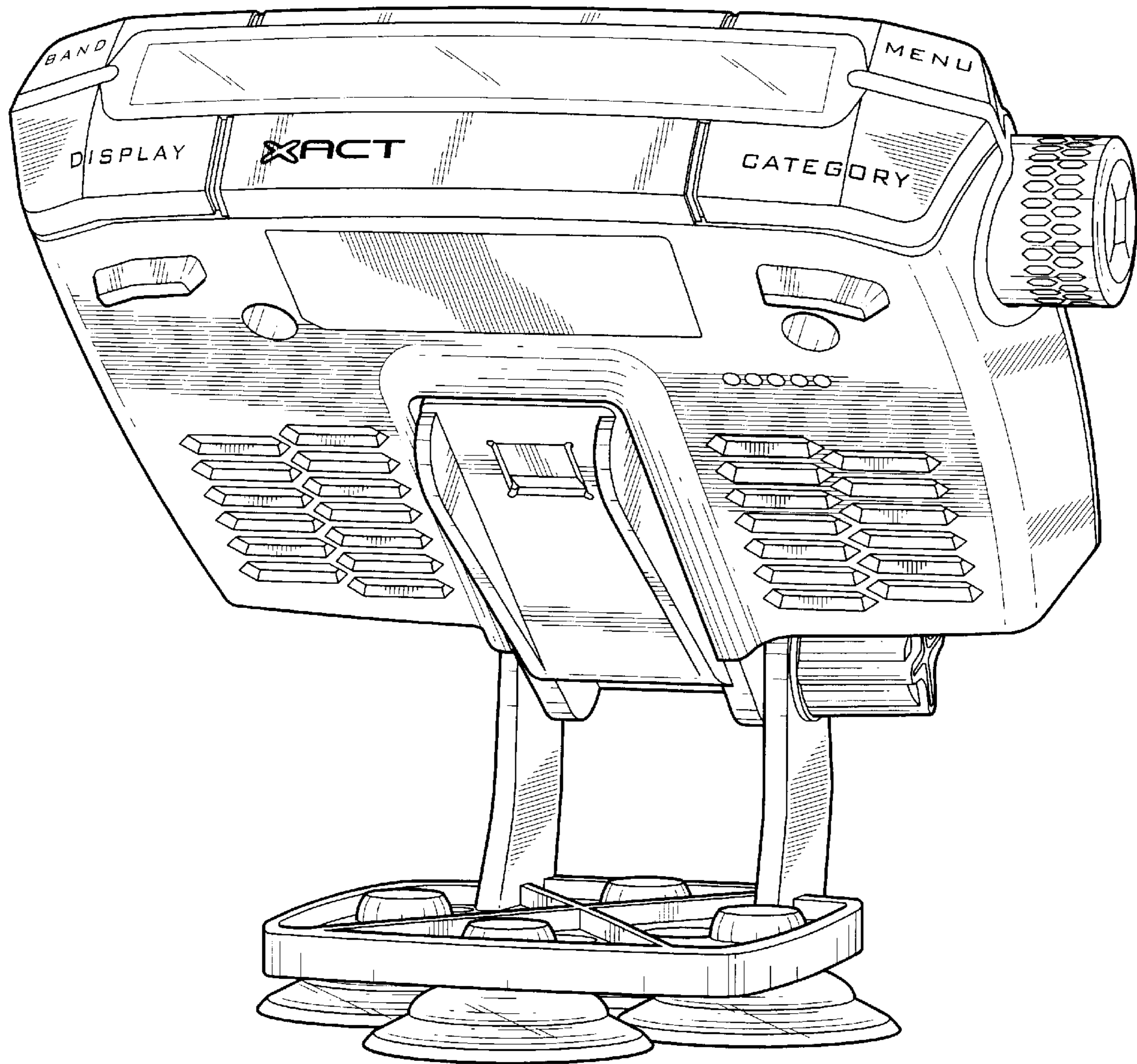


FIG. 6