

US00D520979S

(12) **United States Design Patent**
Kim et al.

(10) **Patent No.:** **US D520,979 S**

(45) **Date of Patent:** **** May 16, 2006**

(54) **CELLULAR PHONE**

(75) Inventors: **Nam Mi Kim**, Seoul (KR); **Jae Woong Chung**, Kyunggi-do (KR)

(73) Assignee: **Samsung Electronics Co., Ltd.** (KR)

(**) Term: **14 Years**

(21) Appl. No.: **29/221,952**

(22) Filed: **Jan. 24, 2005**

(30) **Foreign Application Priority Data**

Jan. 11, 2005 (KR) 30-2005-0000713

(51) **LOC (8) Cl.** **14-03**

(52) **U.S. Cl.** **D14/138**

(58) **Field of Classification Search** D14/137,
D14/138, 147-148, 247-248, 144, 341-347;
379/433.01-433.13, 434; D21/517; 455/575.3,
455/566, 575.1; 345/169; 348/376, 14.02

See application file for complete search history.

(56) **References Cited**

U.S. PATENT DOCUMENTS

D468,713 S	*	1/2003	Lee et al.	D14/138
D469,070 S	*	1/2003	Lee	D14/138
D476,968 S	*	7/2003	Yokoyama	D14/138
D477,581 S	*	7/2003	Iijima et al.	D14/138
D483,342 S	*	12/2003	Lee et al.	D14/138
D486,463 S	*	2/2004	Hwang	D14/138
D488,144 S	*	4/2004	Hwang	D14/138
D491,908 S	*	6/2004	Son	D14/138
D494,946 S	*	8/2004	Rausch et al.	D14/138
D496,019 S	*	9/2004	Okada et al.	D14/138
D497,604 S	*	10/2004	Lee	D14/138
D498,220 S	*	11/2004	Park	D14/138
D498,223 S	*	11/2004	Ho et al.	D14/138
D501,839 S	*	2/2005	Lee et al.	D14/138
D502,458 S	*	3/2005	Chung et al.	D14/138
D505,125 S	*	5/2005	Ahn et al.	D14/138
D506,453 S	*	6/2005	Choi et al.	D14/138
D506,738 S	*	6/2005	Kim et al.	D14/138

D506,739 S	*	6/2005	Shin et al.	D14/138
D508,030 S	*	8/2005	Jeoung et al.	D14/138
D508,033 S	*	8/2005	Kim et al.	D14/138
D508,239 S	*	8/2005	Kim et al.	D14/138
D508,476 S	*	8/2005	Kim	D14/138
D508,686 S	*	8/2005	Kim et al.	D14/138
D510,078 S	*	9/2005	Lee et al.	D14/138
D510,079 S	*	9/2005	Kim et al.	D14/138
2004/0005916 A1	*	1/2004	Choi	455/575.3
2004/0203536 A1	*	10/2004	Chao et al.	455/90.3
2004/0248625 A1	*	12/2004	Yoshida et al.	455/575.1

FOREIGN PATENT DOCUMENTS

JP	1154363	*	9/2002
JP	1167658	*	3/2003
WO	DM/064560	*	10/2003

* cited by examiner

Primary Examiner—Jeffrey Asch

(74) *Attorney, Agent, or Firm*—Irwing Keschner

(57) **CLAIM**

The ornamental design for cellular phone, as shown.

DESCRIPTION

FIG. 1 is a perspective view of the ornamental design of the present invention;

FIG. 2 is a front elevational view of the ornamental design of the present invention;

FIG. 3 is a rear elevational view of the ornamental design of the present invention;

FIG. 4 is a left side elevational view of the ornamental design of the present invention;

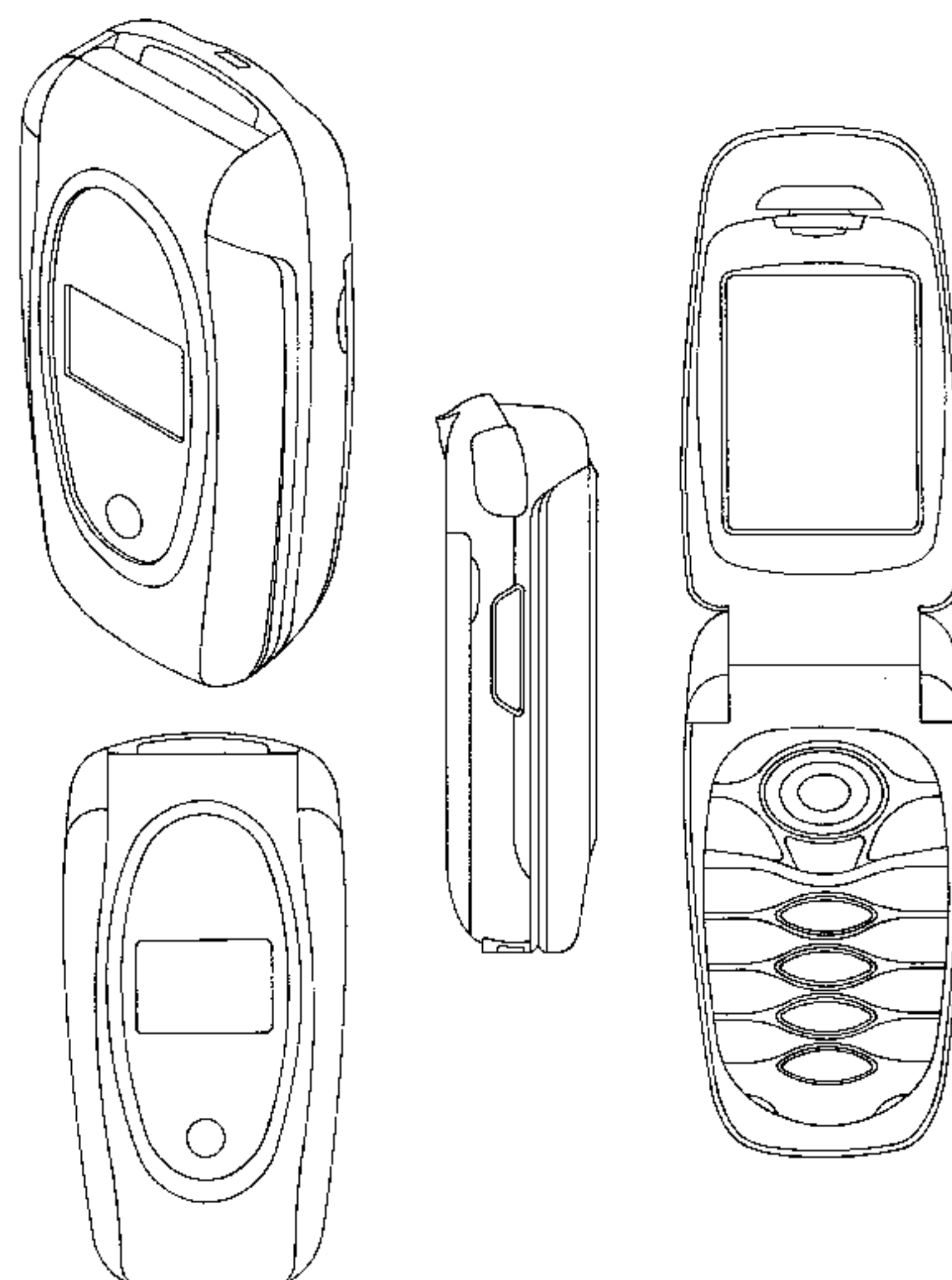
FIG. 5 is a right side elevational view of the ornamental design of the present invention;

FIG. 6 is a top plan view of the ornamental design of the present invention;

FIG. 7 is a bottom view of the ornamental design of the present invention; and,

FIG. 8 illustrates the cellular phone of the present invention in the open, or operating, position.

1 Claim, 3 Drawing Sheets



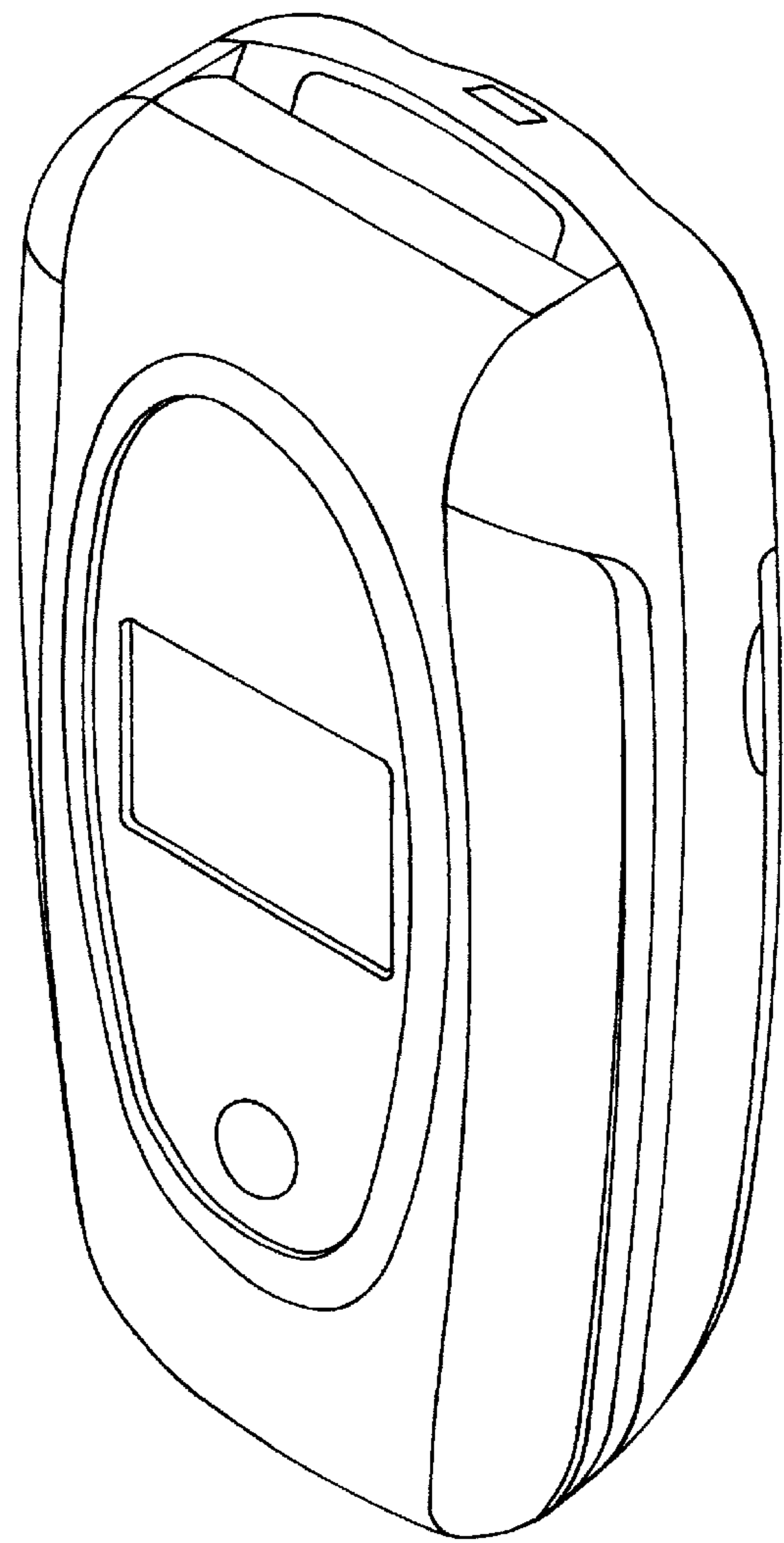


FIG. 1

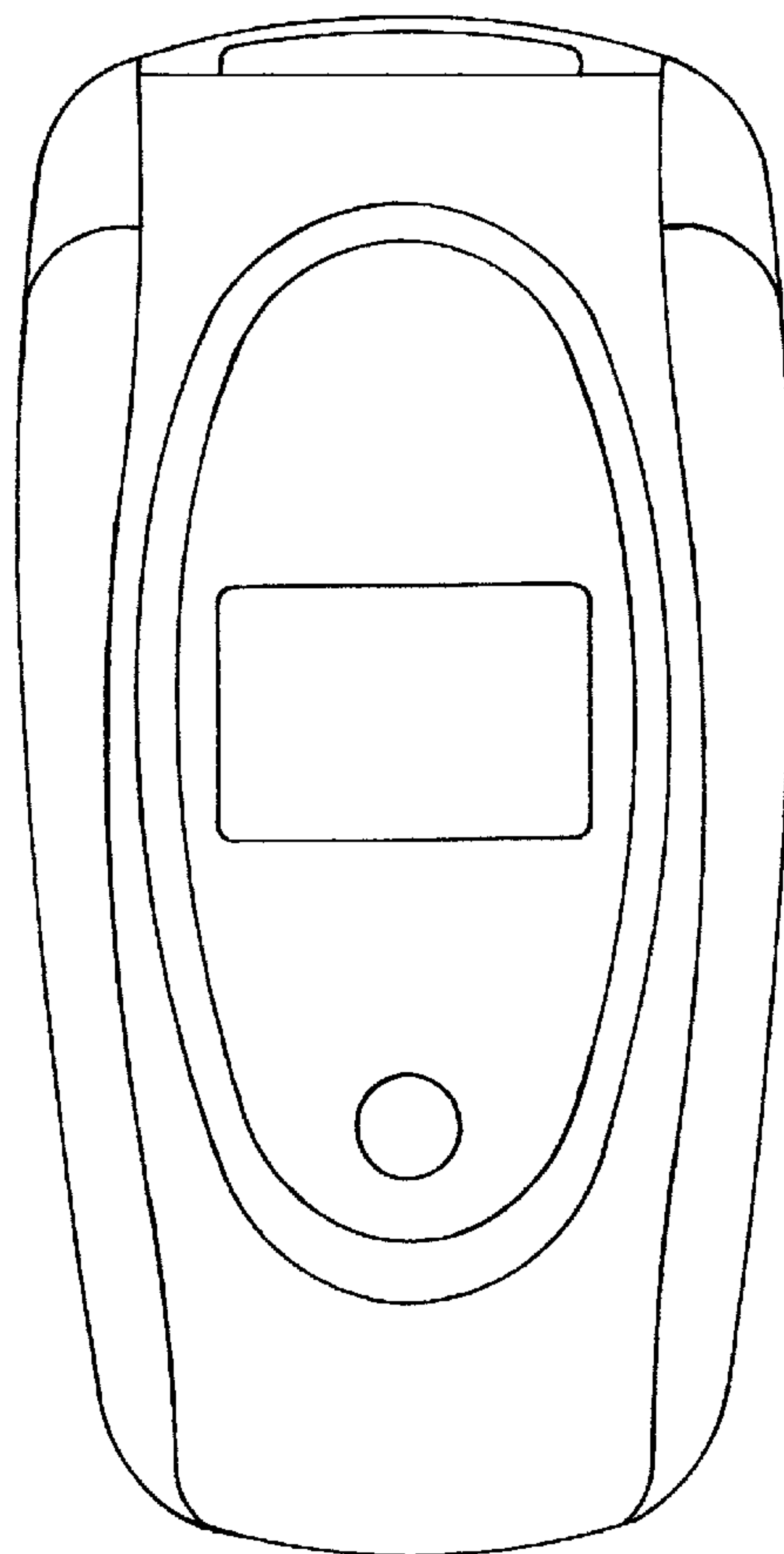


FIG. 2

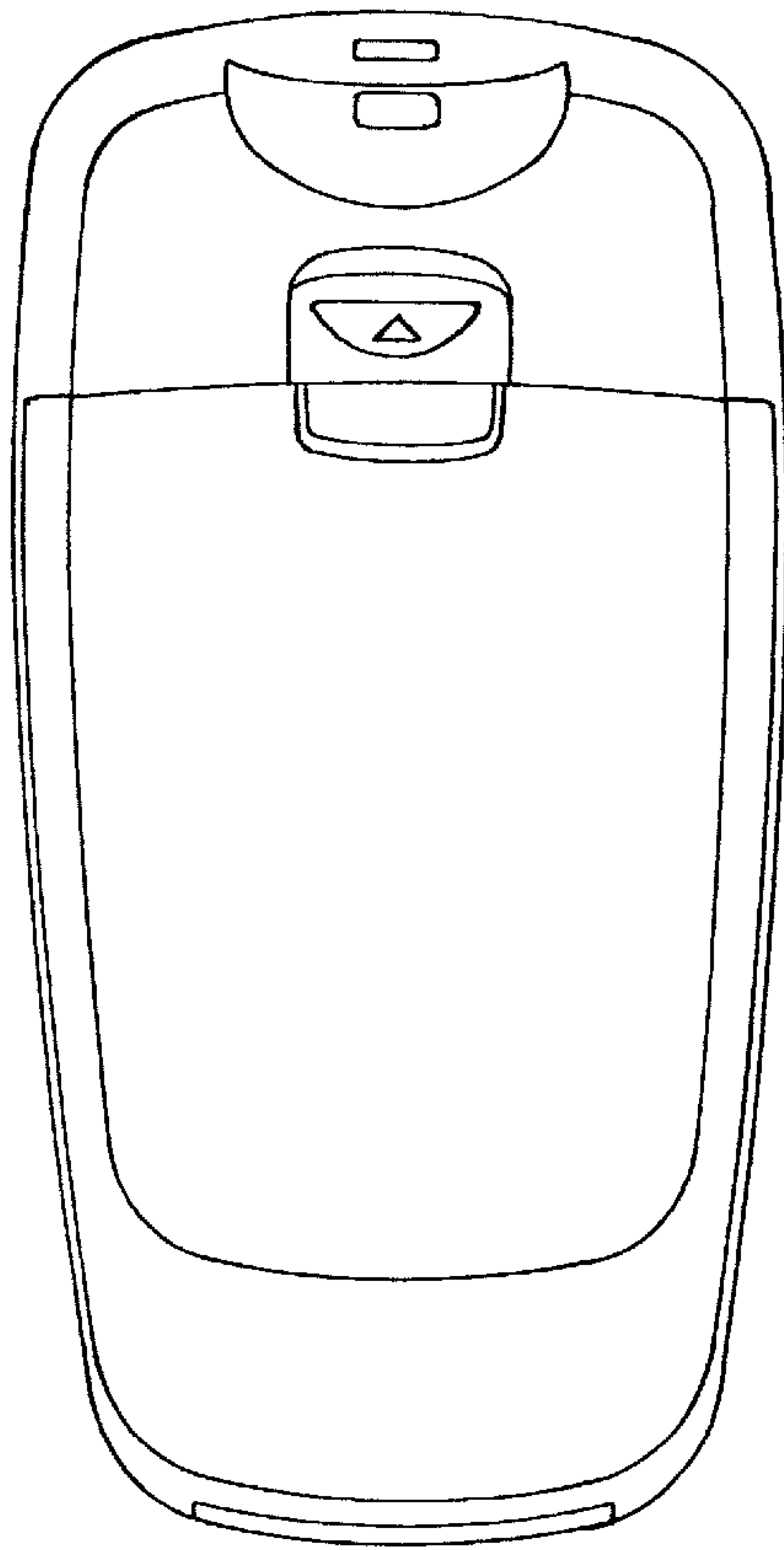


FIG. 3

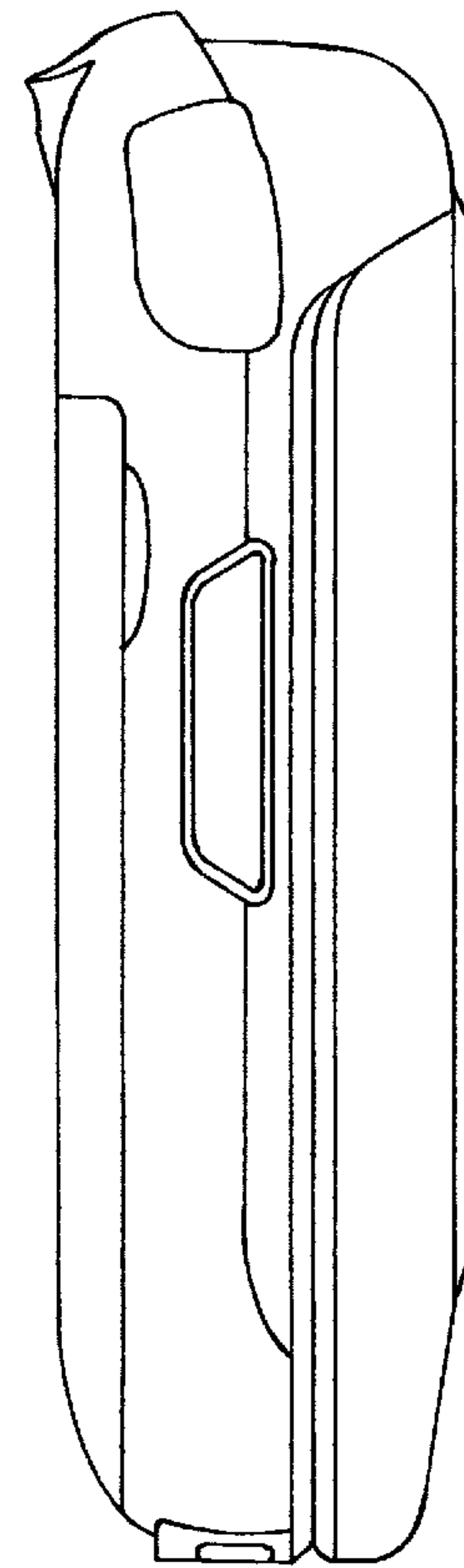


FIG. 4

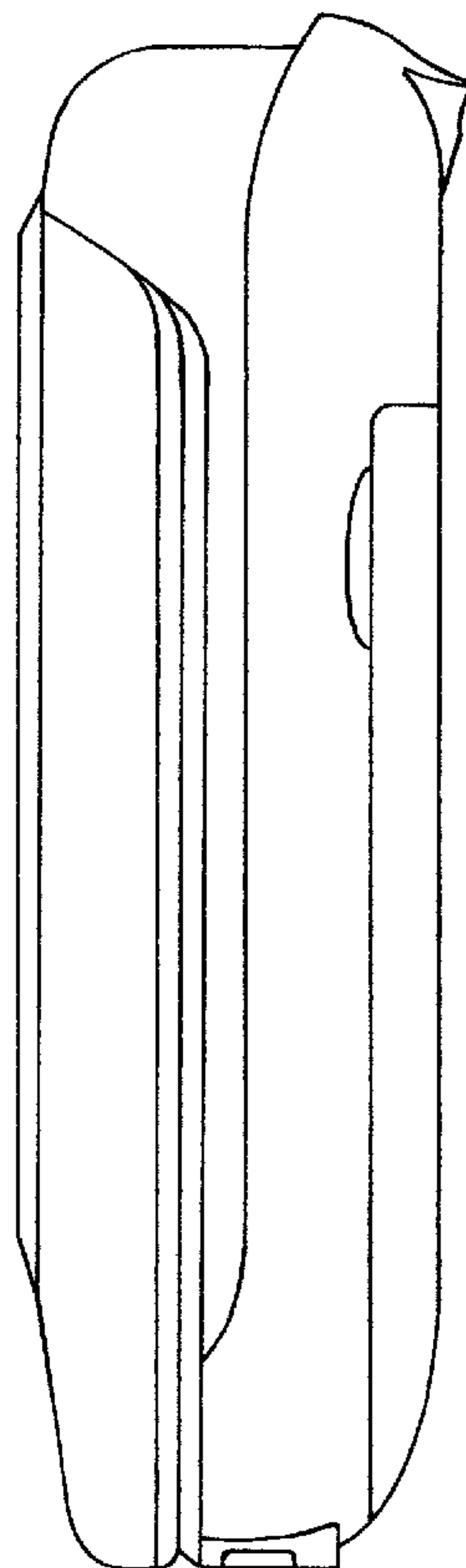


FIG. 5

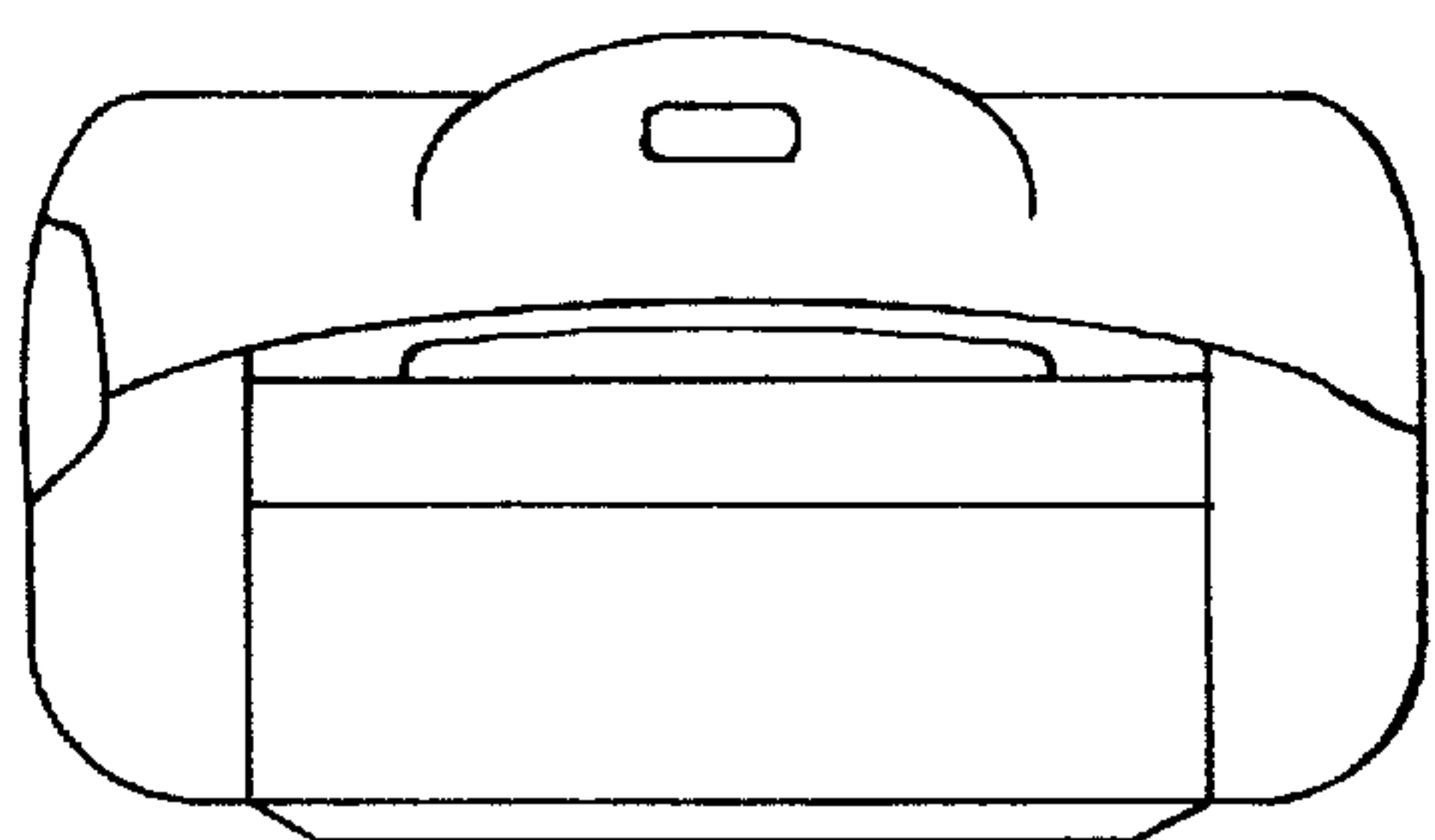


FIG. 6

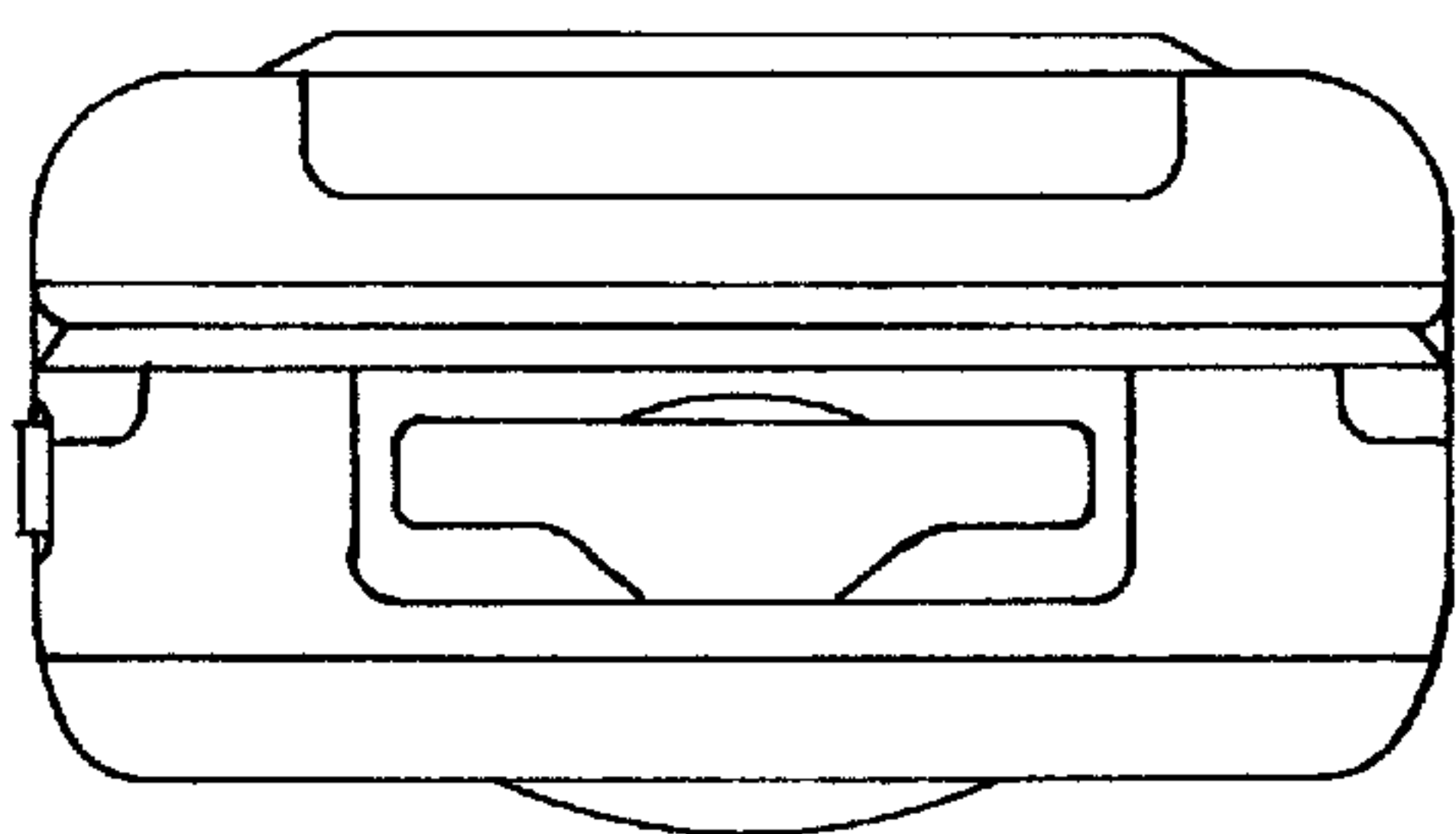


FIG. 7

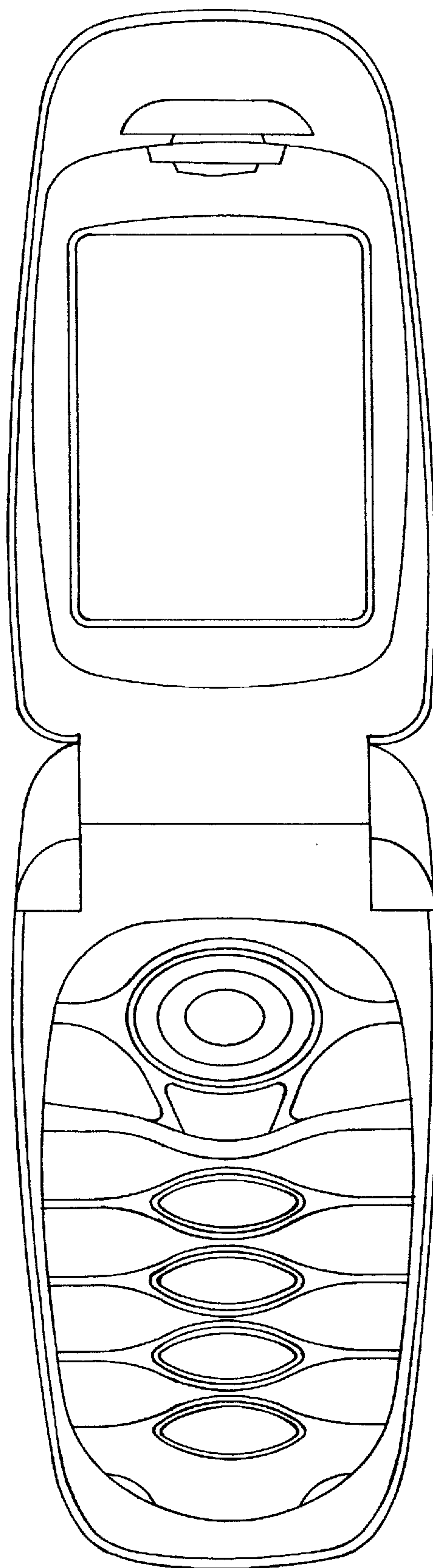


FIG. 8