

US00D520977S

(12) **United States Design Patent**
Lee et al.

(10) **Patent No.:** **US D520,977 S**

(45) **Date of Patent:** **** May 16, 2006**

(54) **PORTABLE TELEPHONE**

(75) Inventors: **Young-Keun Lee**, Seoul (KR); **Jeffrey Higashi**, Rancho Dominguez, CA (US); **Seiji Morioka**, Rancho Dominguez, CA (US); **Mark Gullickson**, Rancho Dominguez, CA (US); **Mark Sterzick**, Rancho Dominguez, CA (US)

(73) Assignee: **Samsung Electronics Co., Ltd.**, Suwon-Si (KR)

(**) Term: **14 Years**

(21) Appl. No.: **29/220,281**

(22) Filed: **Dec. 29, 2004**

(30) **Foreign Application Priority Data**

Jul. 30, 2004 (KR) 30-2004-0023407

(51) **LOC (8) Cl.** **14-03**

(52) **U.S. Cl.** **D14/138**

(58) **Field of Classification Search** D14/137, D14/138, 147-148, 247-248, 144, 341-347; 379/433.01-433.13, 434; D21/517; 455/575.3, 455/566, 575.1; 345/169

See application file for complete search history.

(56) **References Cited**

U.S. PATENT DOCUMENTS

D459,329 S	*	6/2002	Suzuki et al.	D14/138
D481,697 S	*	11/2003	Rausch et al.	D14/138
D485,818 S	*	1/2004	Yabe et al.	D14/138
D487,443 S	*	3/2004	Yoon	D14/138
D488,788 S	*	4/2004	Chan	D14/138
D489,344 S	*	5/2004	Lee et al.	D14/138
D490,065 S	*	5/2004	Shimazu et al.	D14/138
D490,792 S	*	6/2004	Lee	D14/138
D494,946 S	*	8/2004	Rausch et al.	D14/138
D496,019 S	*	9/2004	Okada et al.	D14/138

D497,894 S	*	11/2004	Kim	D14/138
D501,455 S	*	2/2005	Hunt et al.	D14/138
D501,837 S	*	2/2005	Kim et al.	D14/138
D502,161 S	*	2/2005	Kim et al.	D14/138
D506,737 S	*	6/2005	Koo et al.	D14/138
D506,985 S	*	7/2005	Koo et al.	D14/138
D507,252 S	*	7/2005	Kim et al.	D14/138
D507,554 S	*	7/2005	Kim	D14/138
D507,787 S	*	7/2005	Ahn et al.	D14/138
D508,030 S	*	8/2005	Jeoung et al.	D14/138
D508,033 S	*	8/2005	Kim et al.	D14/138
D508,238 S	*	8/2005	Kim et al.	D14/138
D508,685 S	*	8/2005	Kim et al.	D14/138
2004/0132513 A1	*	7/2004	Taneda et al.	455/575.3
2004/0204145 A1	*	10/2004	Nagatomo	455/566
2005/0020327 A1	*	1/2005	Chung et al.	455/575.3

FOREIGN PATENT DOCUMENTS

JP	1167658	*	3/2003
JP	1185434	*	9/2003

* cited by examiner

Primary Examiner—Jeffrey Asch

(74) *Attorney, Agent, or Firm*—Leydig, Voit & Mayer, Ltd.

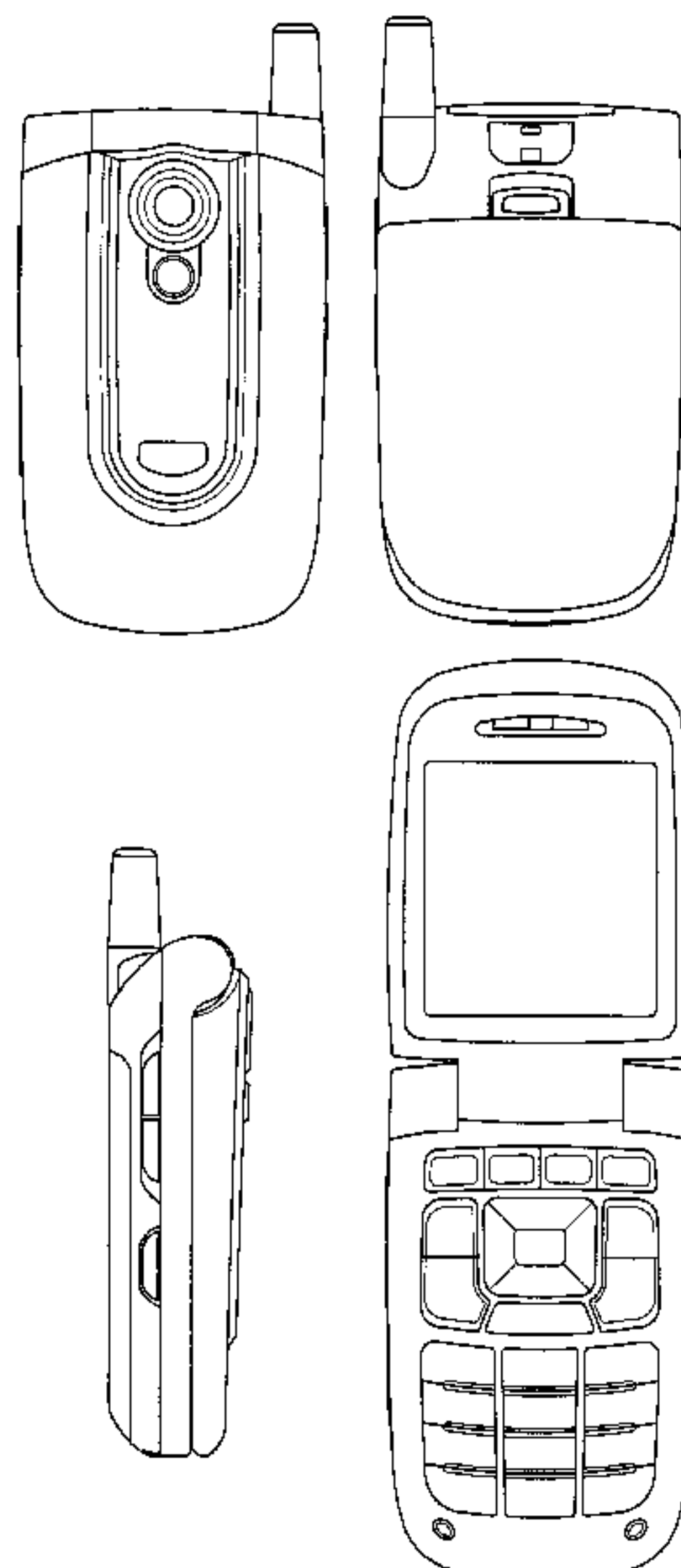
(57) **CLAIM**

We claim the ornamental design for a portable telephone, as shown and described.

DESCRIPTION

FIG. 1 is a perspective view of a portable telephone, when closed, according to our new design; FIG. 2 is a front view thereof, when closed; FIG. 3 is a rear view thereof, when closed; FIG. 4 is a left side view thereof, when closed; FIG. 5 is a right side view thereof, when closed; FIG. 6 is a top view thereof, when closed; FIG. 7 is a bottom view thereof, when closed; and, FIG. 8 is a front view thereof, when open.

1 Claim, 5 Drawing Sheets



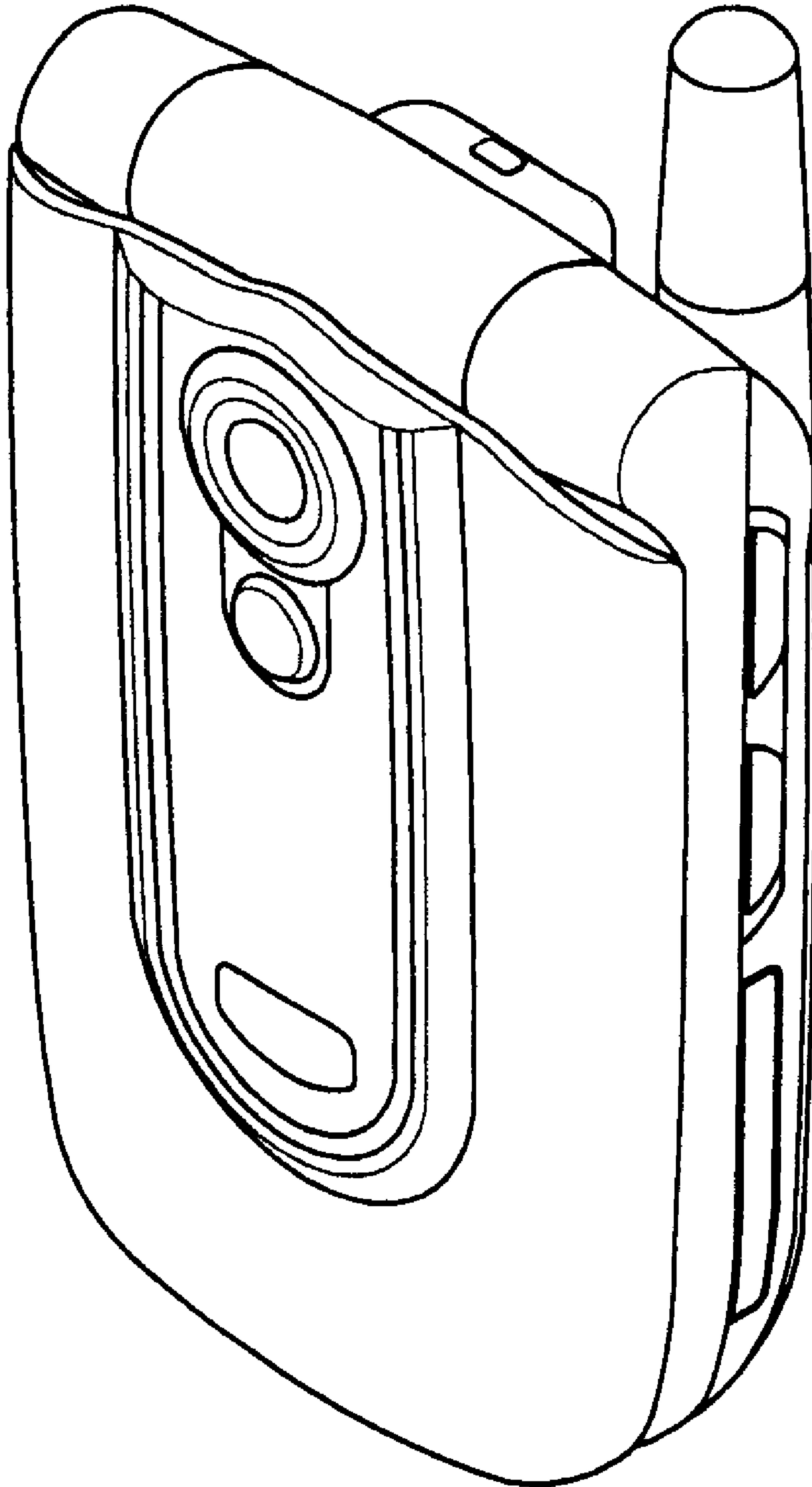


Fig. 1

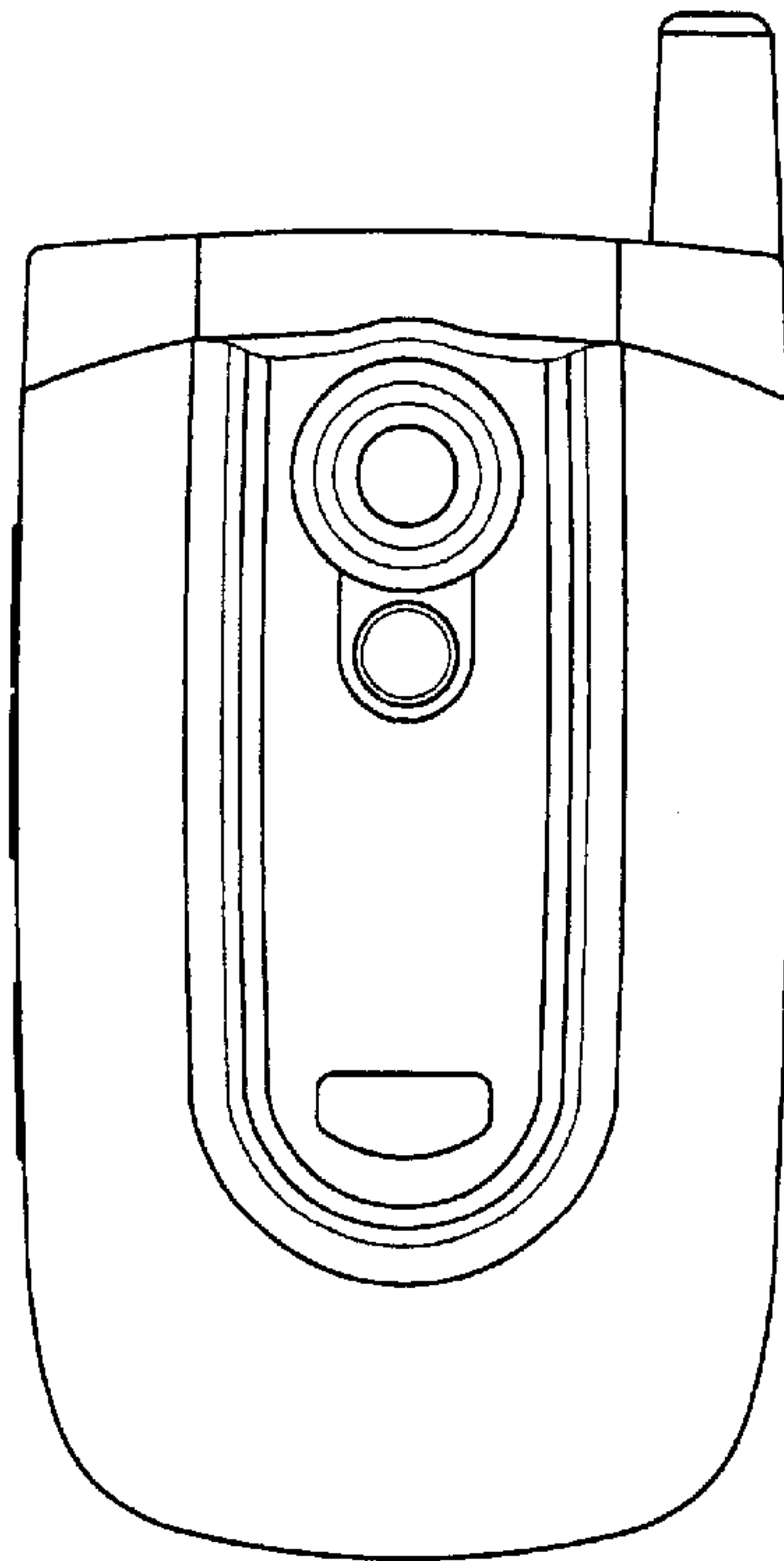


Fig. 2

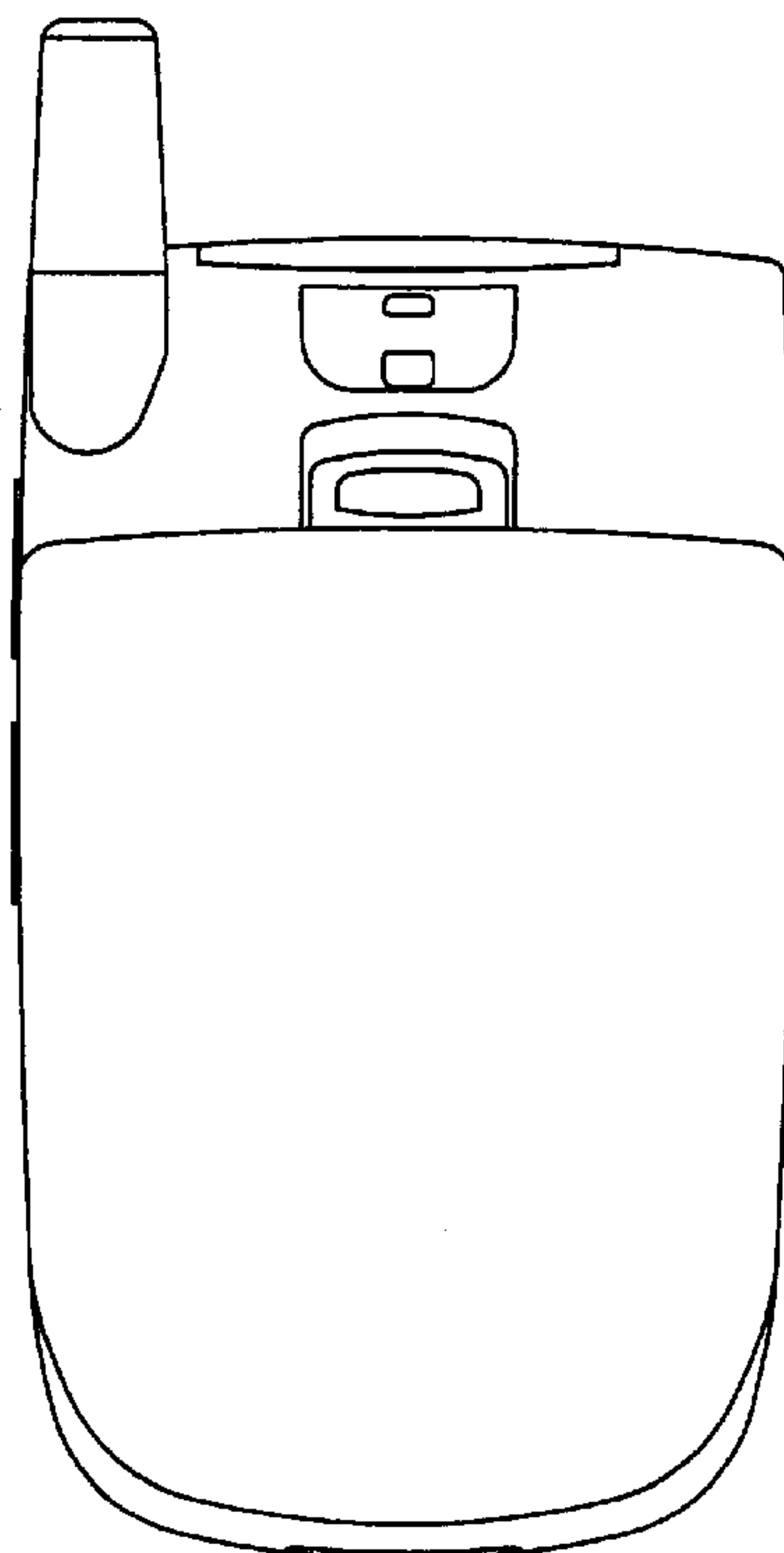


Fig. 3

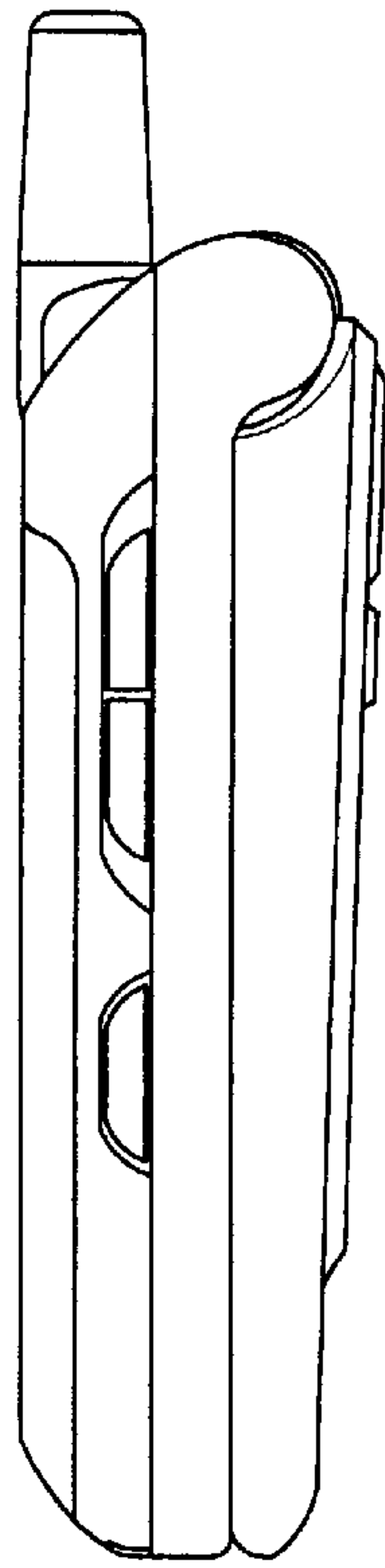


Fig. 4

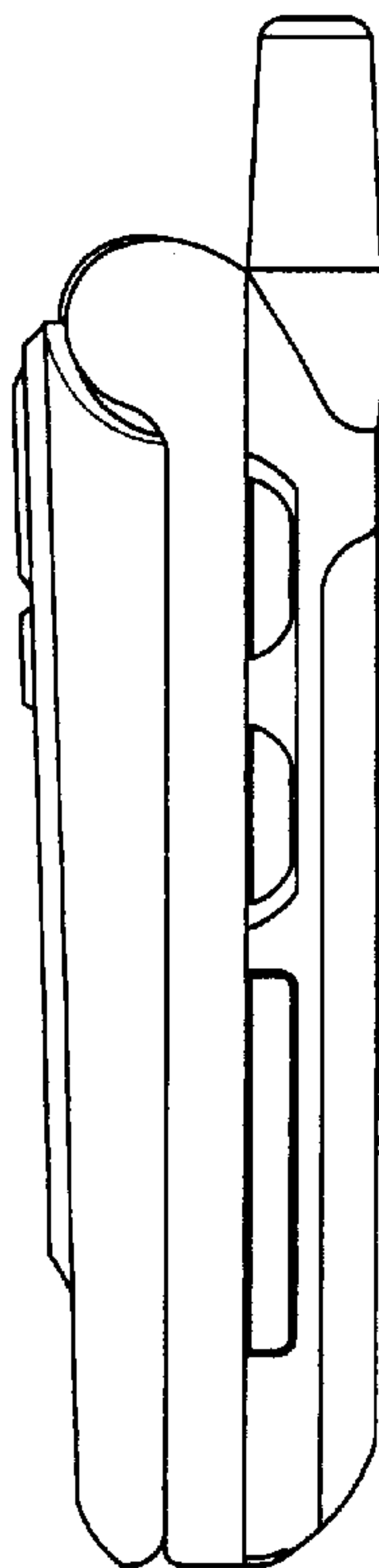


Fig. 5

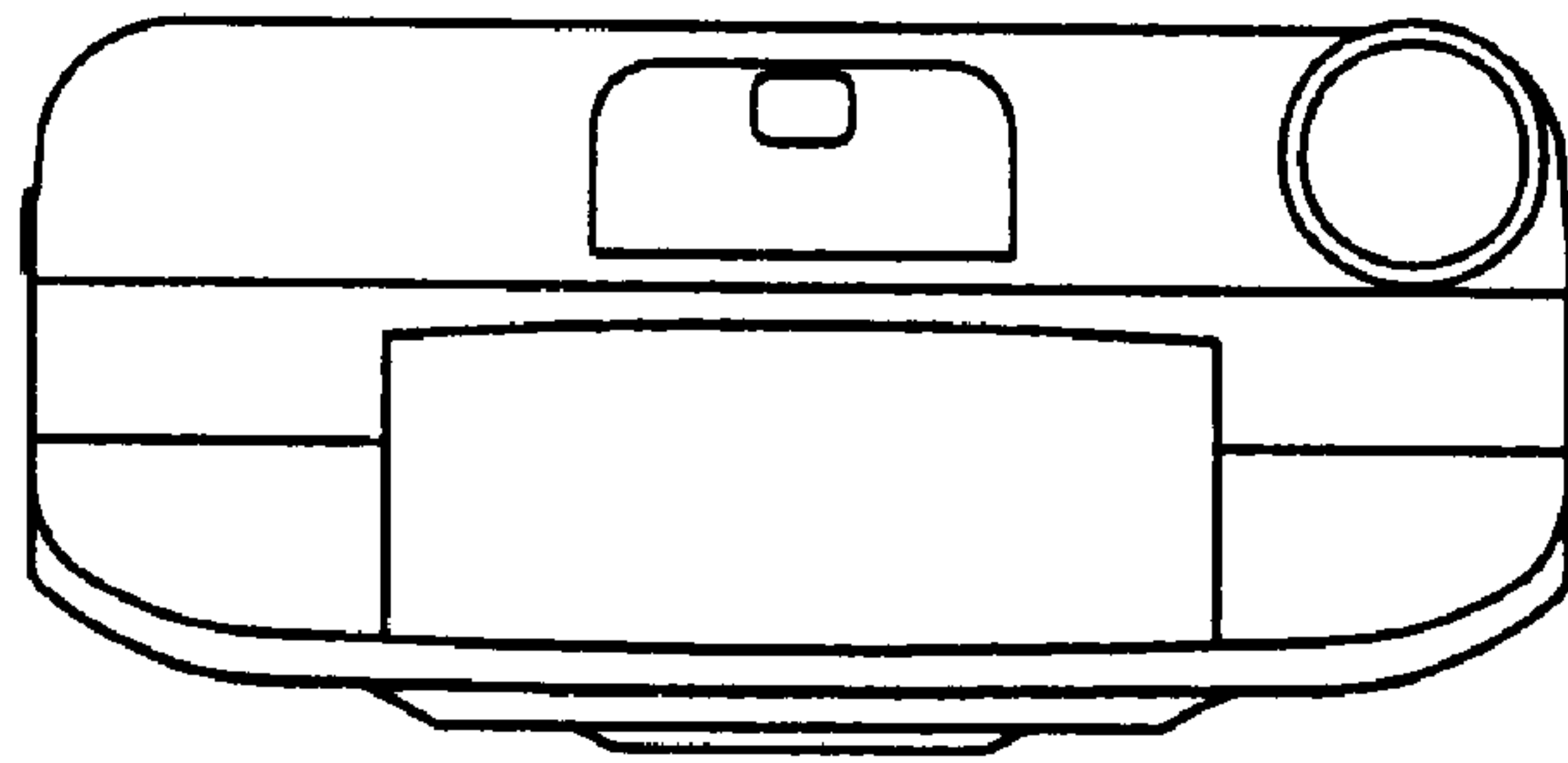


Fig. 6

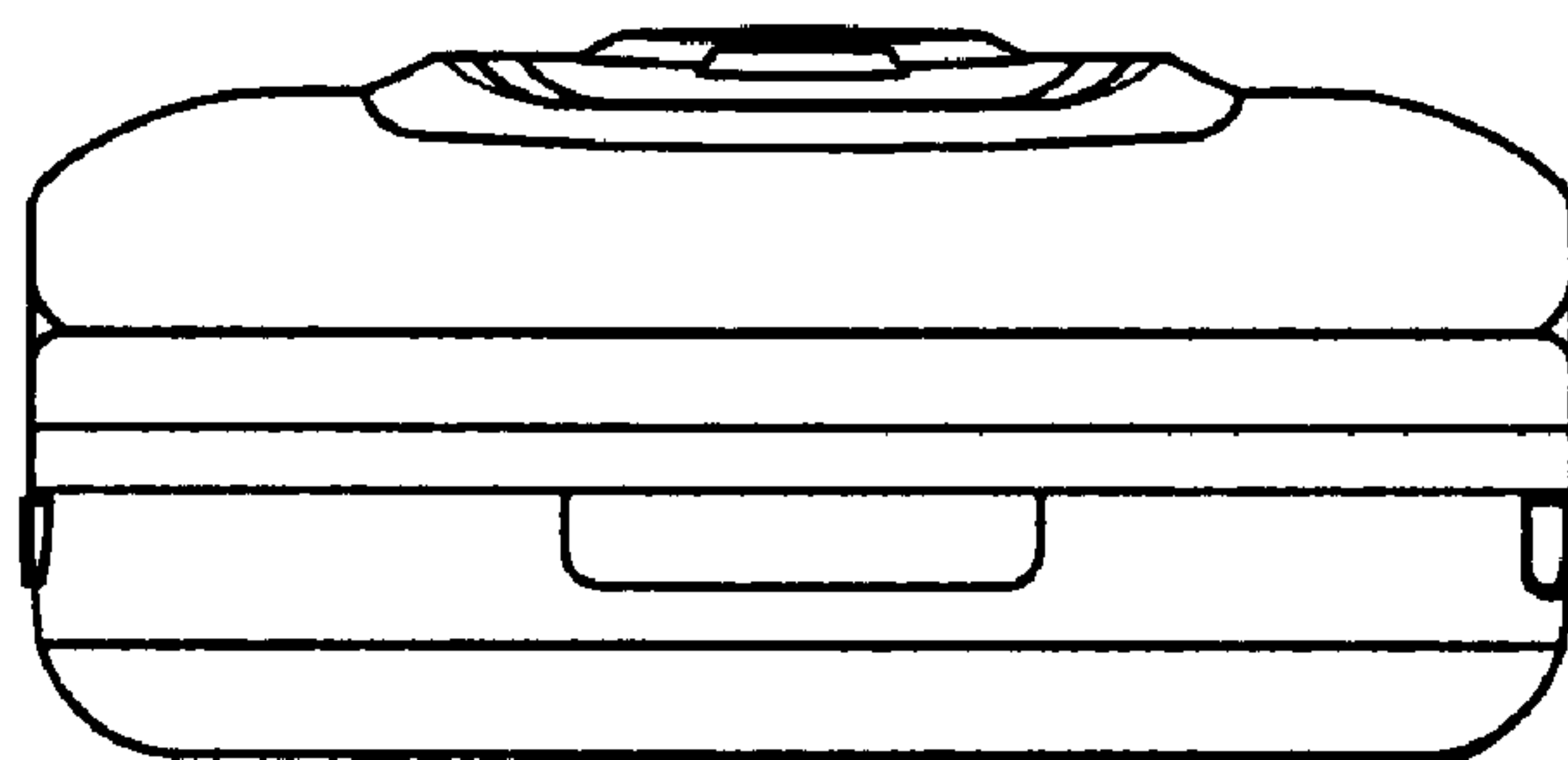


Fig. 7

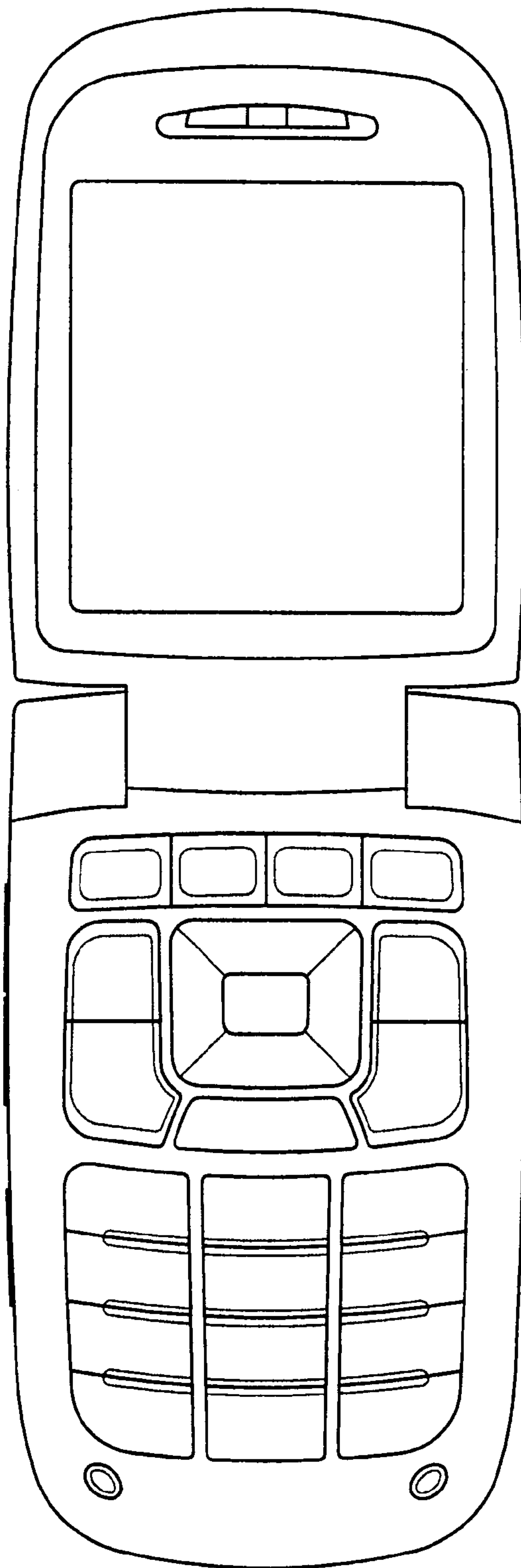


Fig.8