



US00D520972S

(12) **United States Design Patent** (10) **Patent No.:** **US D520,972 S**  
**Hesse et al.** (45) **Date of Patent:** **\*\* May 16, 2006**

(54) **VIDEO CABINET**

(75) Inventors: **Thomas H. Hesse**, Mesa, AZ (US);  
**Keith A. Weaver**, El Mirage, AZ (US)

(73) Assignee: **Multimedia Telesys, Inc.**, Tempe, AZ (US)

(\*\*) Term: **14 Years**

(21) Appl. No.: **29/207,841**

(22) Filed: **Jun. 17, 2004**

**Related U.S. Application Data**

(62) Division of application No. 29/206,693, filed on Jun. 1, 2004.

(51) **LOC (8) Cl.** ..... **14-03**

(52) **U.S. Cl.** ..... **D14/129**

(58) **Field of Classification Search** ..... D14/125-134,  
D14/239, 371, 374-376; 312/7.2; 348/836,  
348/838, 180, 184, 325, 739; 341/12; 248/917-924;  
345/104, 133, 156, 168, 87, 173; 353/74;  
D10/106; D13/164

See application file for complete search history.

(56) **References Cited**

**U.S. PATENT DOCUMENTS**

2,413,922	A	*	1/1947	Jensen et al.	.....	312/7.2
2,438,256	A	*	3/1948	Stein	.....	348/787
4,113,331	A	*	9/1978	Derdzinski et al.	.....	312/198
D268,583	S	*	4/1983	Whaley et al.	.....	D14/305
4,861,121	A	*	8/1989	Gotz	.....	312/7.2
D351,160	S	*	10/1994	Massey et al.	.....	D14/307
D380,739	S	*	7/1997	Senturia et al.	.....	D14/900
D395,129	S	*	6/1998	Johnson	.....	D14/130
D424,049	S	*	5/2000	Ho et al.	.....	D14/146
D434,412	S	*	11/2000	Creech et al.	.....	D14/305
D442,155	S	*	5/2001	Pham et al.	.....	D14/127

\* cited by examiner

*Primary Examiner*—Raphael Barkai  
(74) *Attorney, Agent, or Firm*—Schmeiser, Olsen & Watts LLP

(57) **CLAIM**

The ornamental design for a video cabinet, as shown and described.

**DESCRIPTION**

FIG. 1 is a perspective view of a video cabinet showing novel design;

FIG. 2 is a front elevation view of the video cabinet of FIG. 1;

FIG. 3 is a rear elevation view of the video cabinet of FIG. 1, the horizontal and vertical dotted lines do not indicate surface features but instead indicate structural members inside the video cabinet that may vary to accommodate mounting of video terminals of various dimensions at various depths. The claimed design does not include any portion shown in FIG. 3;

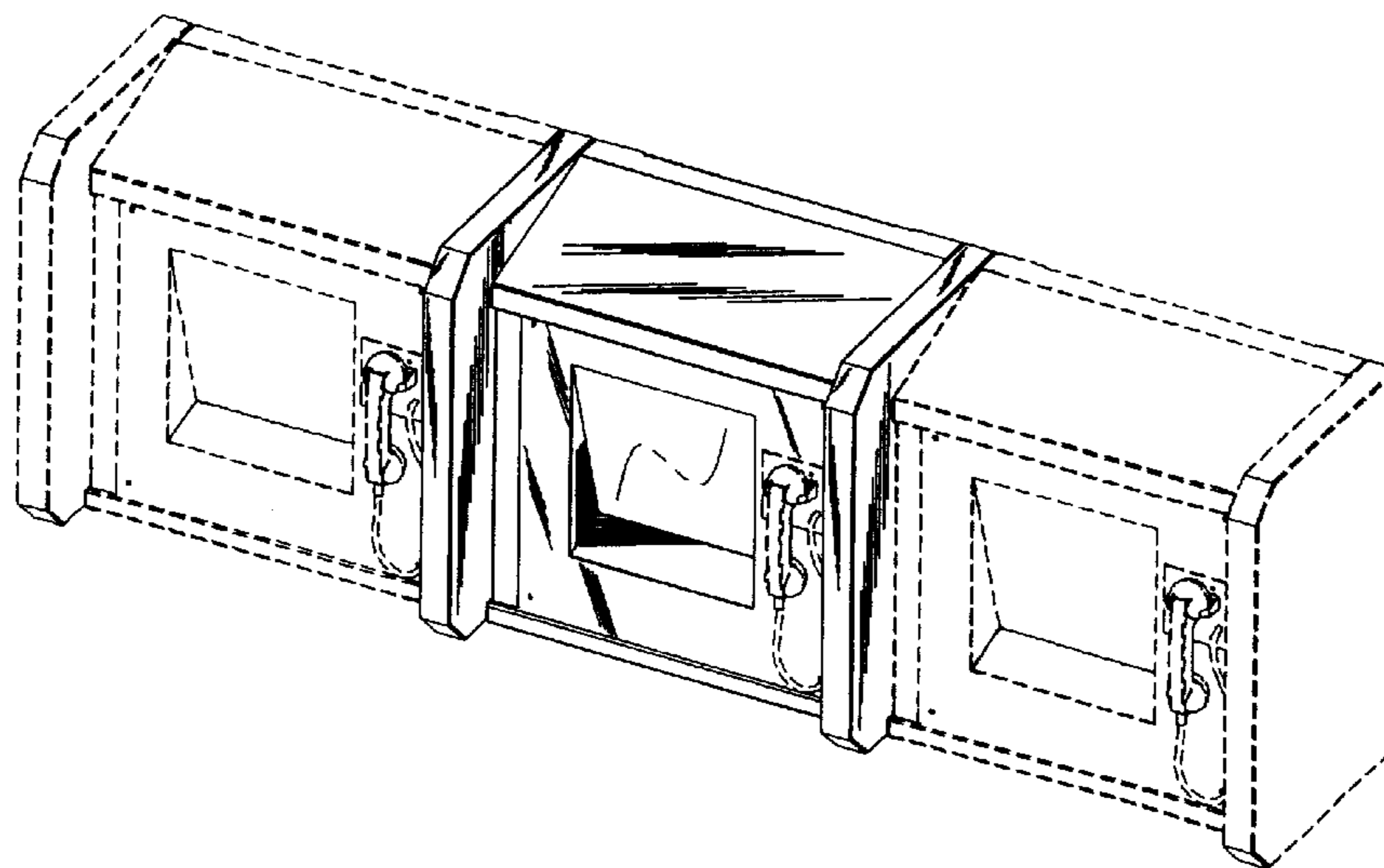
FIG. 4 is a right side elevation view of the video cabinet of FIG. 1, the left side being a mirror image;

FIG. 5 is a perspective view of a video cabinet showing novel design and differing from the video cabinet of FIGS. 1-4 only in the appearance of the perimeter edge of each side wall; and,

FIG. 6 is a front elevation view of the video cabinet of FIG. 5.

The bottom of the video cabinets of FIGS. 1-6 is unornamented and relatively flat. The video cabinet of FIG. 5 viewed from the right side appears as in FIG. 4, the left side being a mirror image. The rear view of the video cabinet of FIG. 5 is similar to that shown in FIG. 3 as described above and forms no part of the claimed design. The audio handsets shown in dotted lines form no part of the claimed design. All dotted lines indicate environment not part of the claimed design.

**1 Claim, 6 Drawing Sheets**



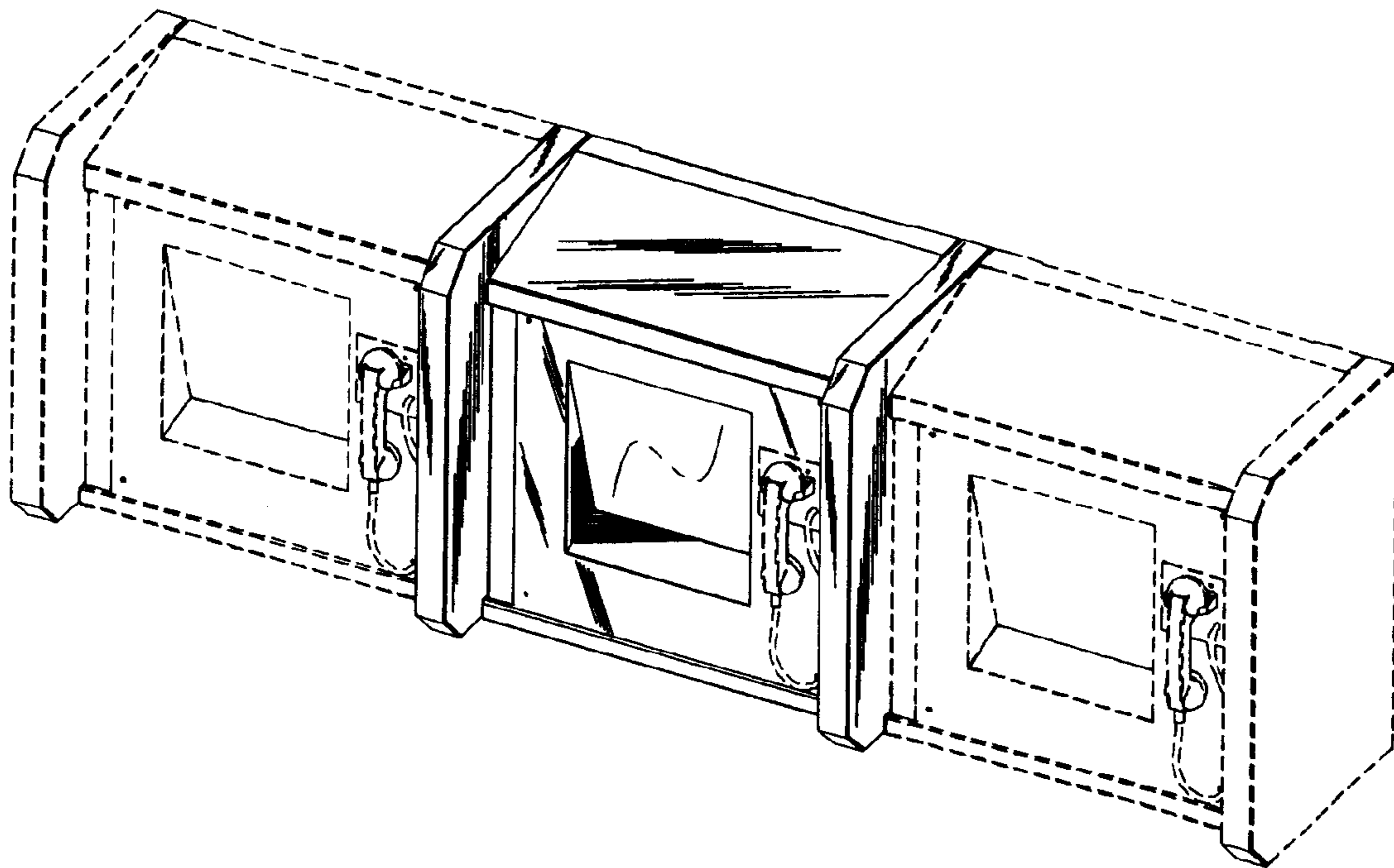


FIG. 1

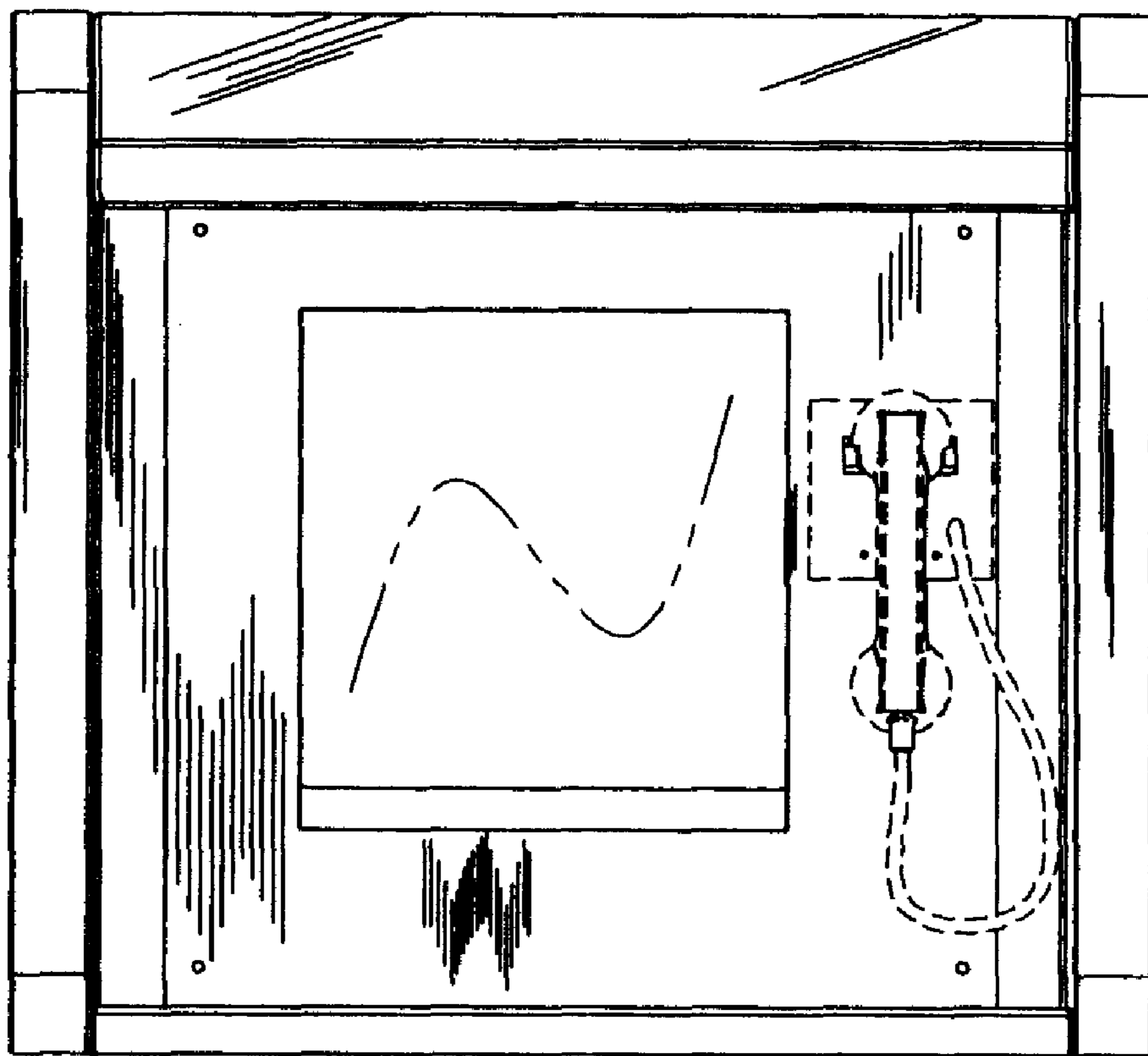


FIG. 2

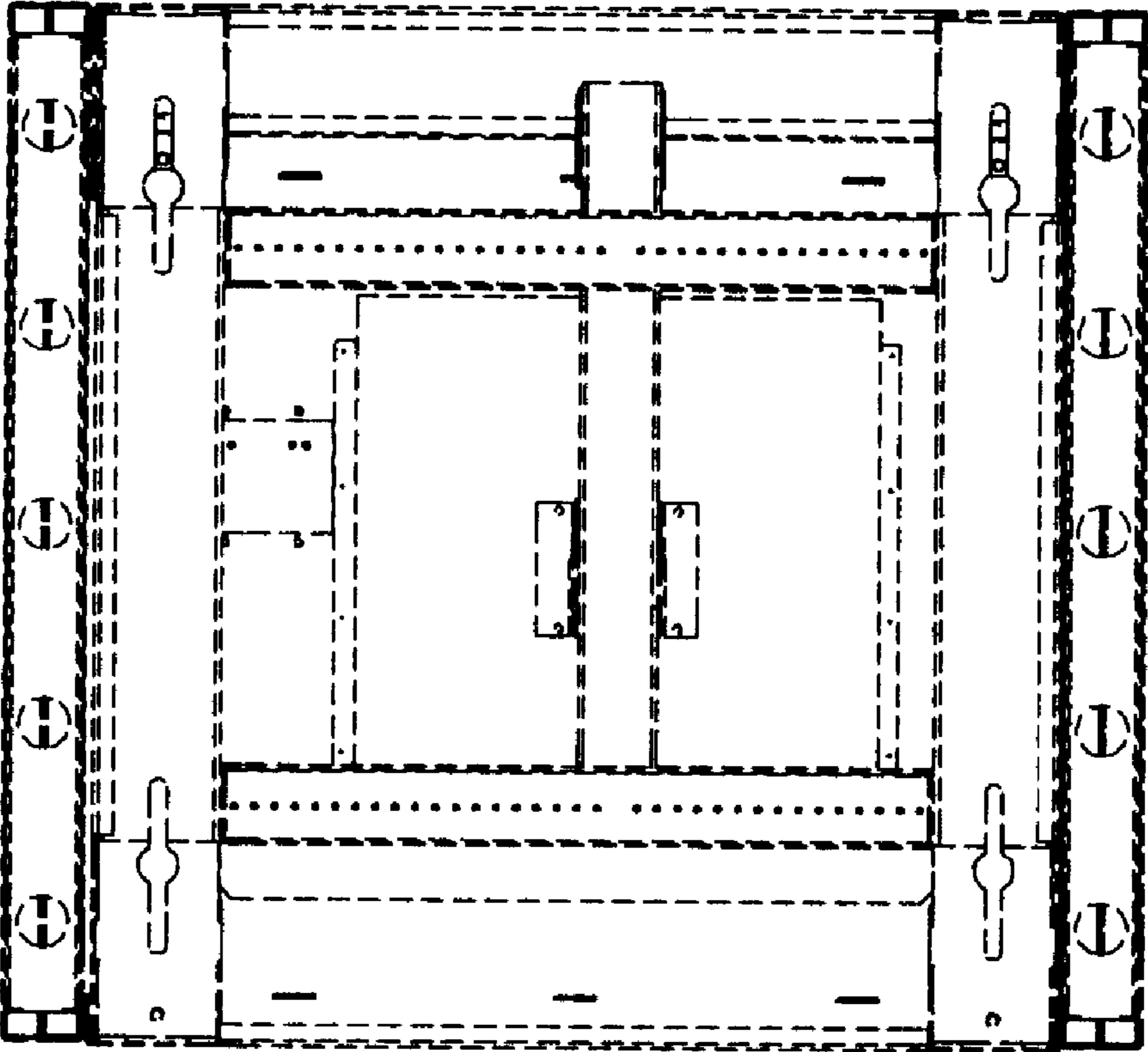


FIG. 3

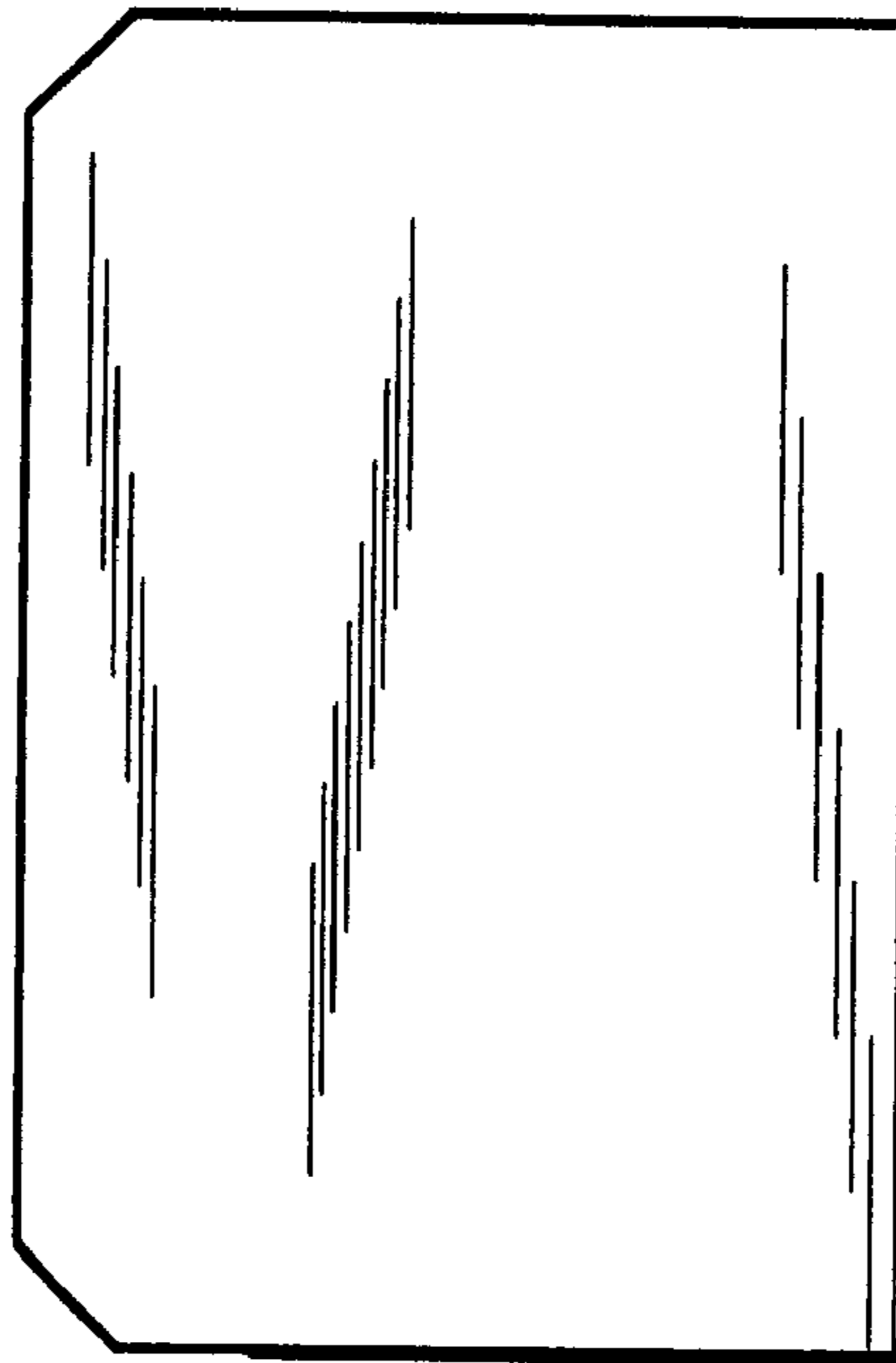


FIG. 4

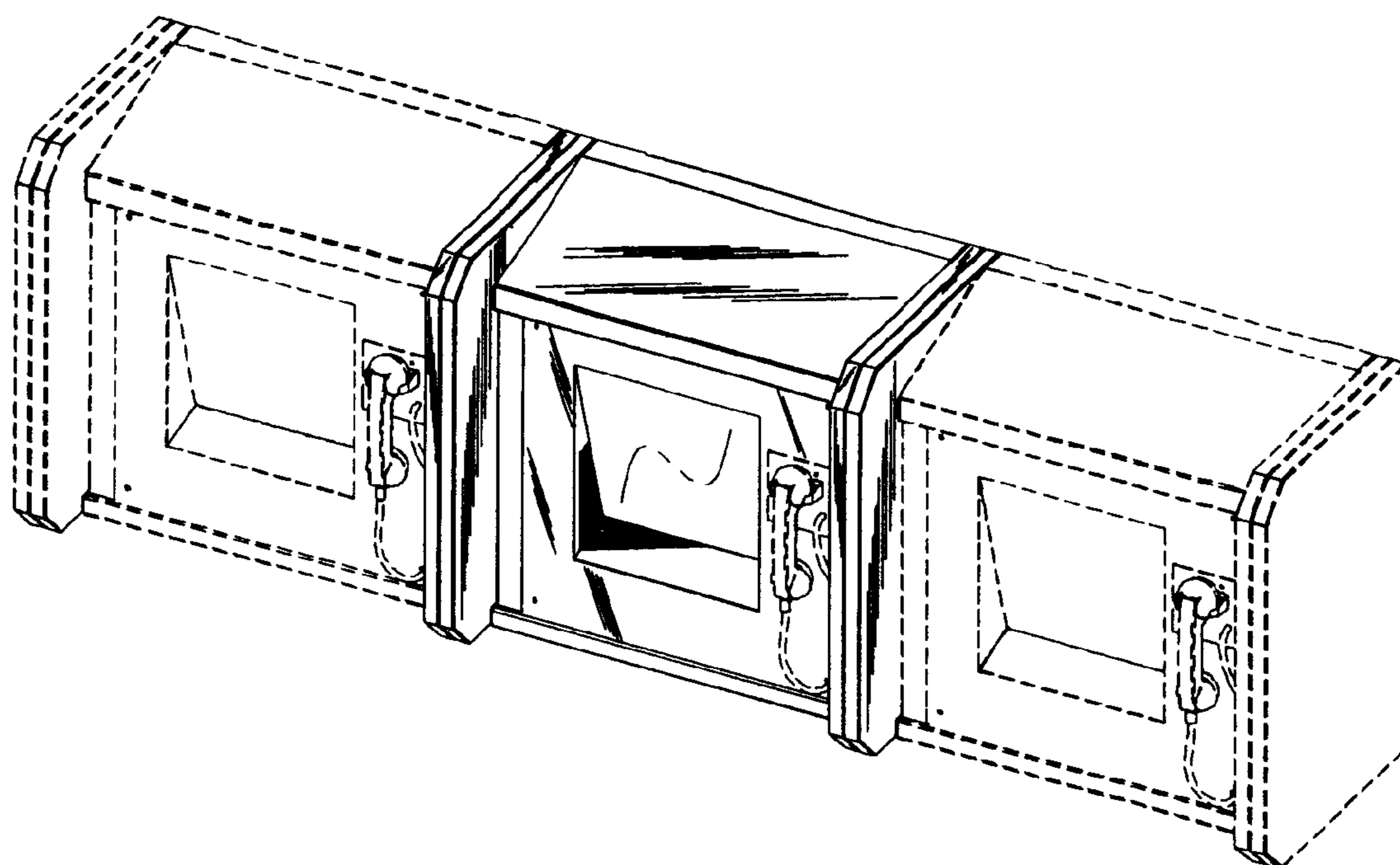


FIG. 5



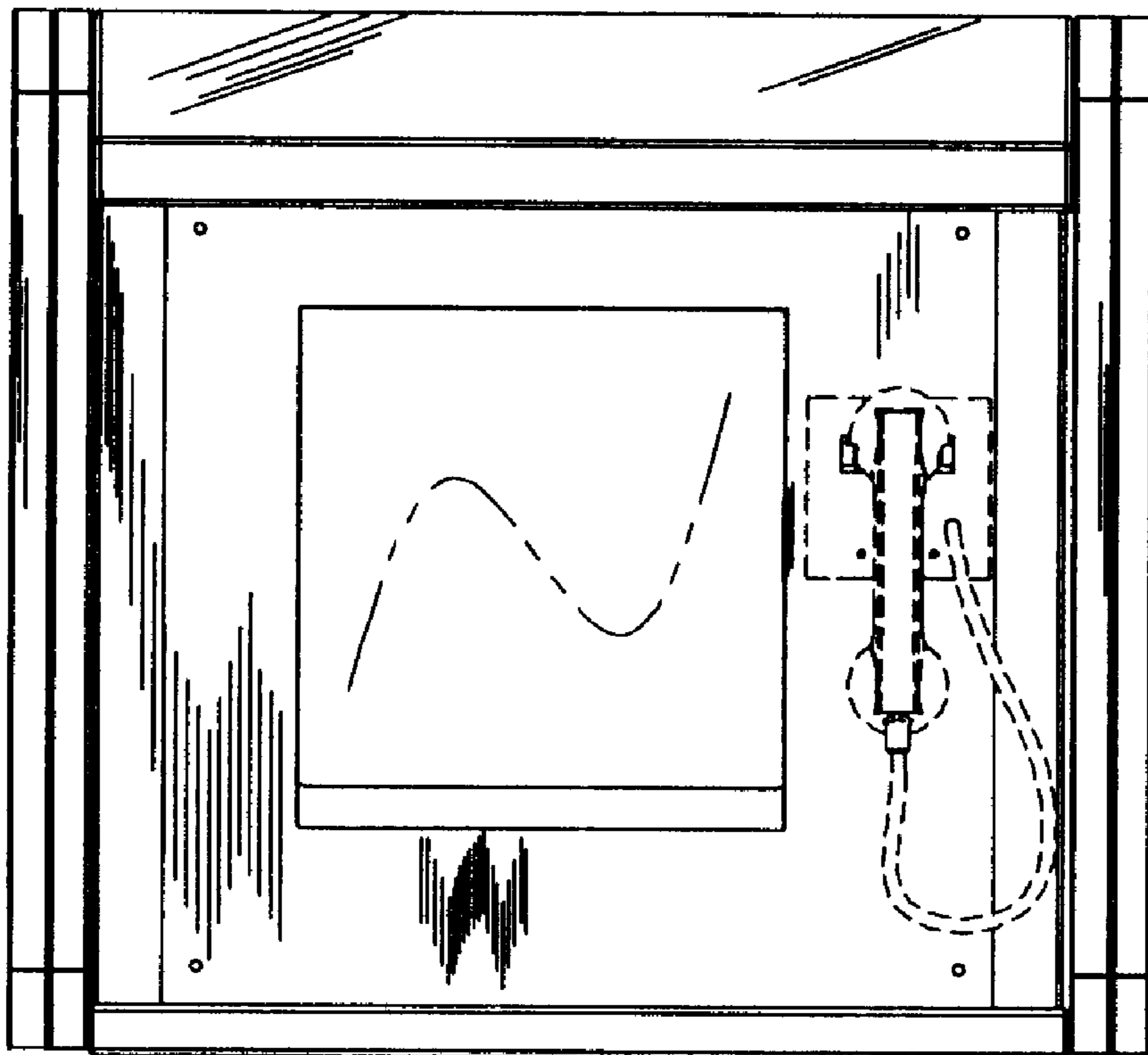


FIG. 6