



US00D520970S

(12) **United States Design Patent**  
**Hoehn et al.**

(10) **Patent No.:** **US D520,970 S**  
(45) **Date of Patent:** **\*\* May 16, 2006**

- (54) **TELEVISION SET**
- (75) Inventors: **Holger Hoehn**, Taipei (TW); **Reinier Bloem**, Taipei (TW)
- (73) Assignee: **Hannspree, Inc.**, Taipei (TW)
- (\*\*) Term: **14 Years**
- (21) Appl. No.: **29/230,230**
- (22) Filed: **May 19, 2005**
- (30) **Foreign Application Priority Data**  
Nov. 25, 2004 (TW) ..... 93307055
- (51) **LOC (8) Cl.** ..... **14-03**
- (52) **U.S. Cl.** ..... **D14/126; D14/129**
- (58) **Field of Classification Search** ..... D14/125-134,  
D14/239, 371, 136, 374-377; 312/7.2; 348/836,  
348/838, 180, 184, 325, 739; 341/12; 248/917-924,  
248/465; 345/104, 133, 156, 168, 87, 173;  
720/605, 669, 600, 655; 369/99, 197; 455/344-347  
See application file for complete search history.

- 5,825,347 A \* 10/1998 Prinsen ..... 348/836
- D412,892 S \* 8/1999 Lee ..... D14/375
- D461,786 S \* 8/2002 Maruyama ..... D14/126
- D489,370 S \* 5/2004 Jobs et al. .... D14/371
- D502,152 S \* 2/2005 Peng ..... D14/126

\* cited by examiner

*Primary Examiner*—Raphael Barkai  
(74) *Attorney, Agent, or Firm*—Dennison, Schultz,  
Dougherty & MacDonald

(57) **CLAIM**

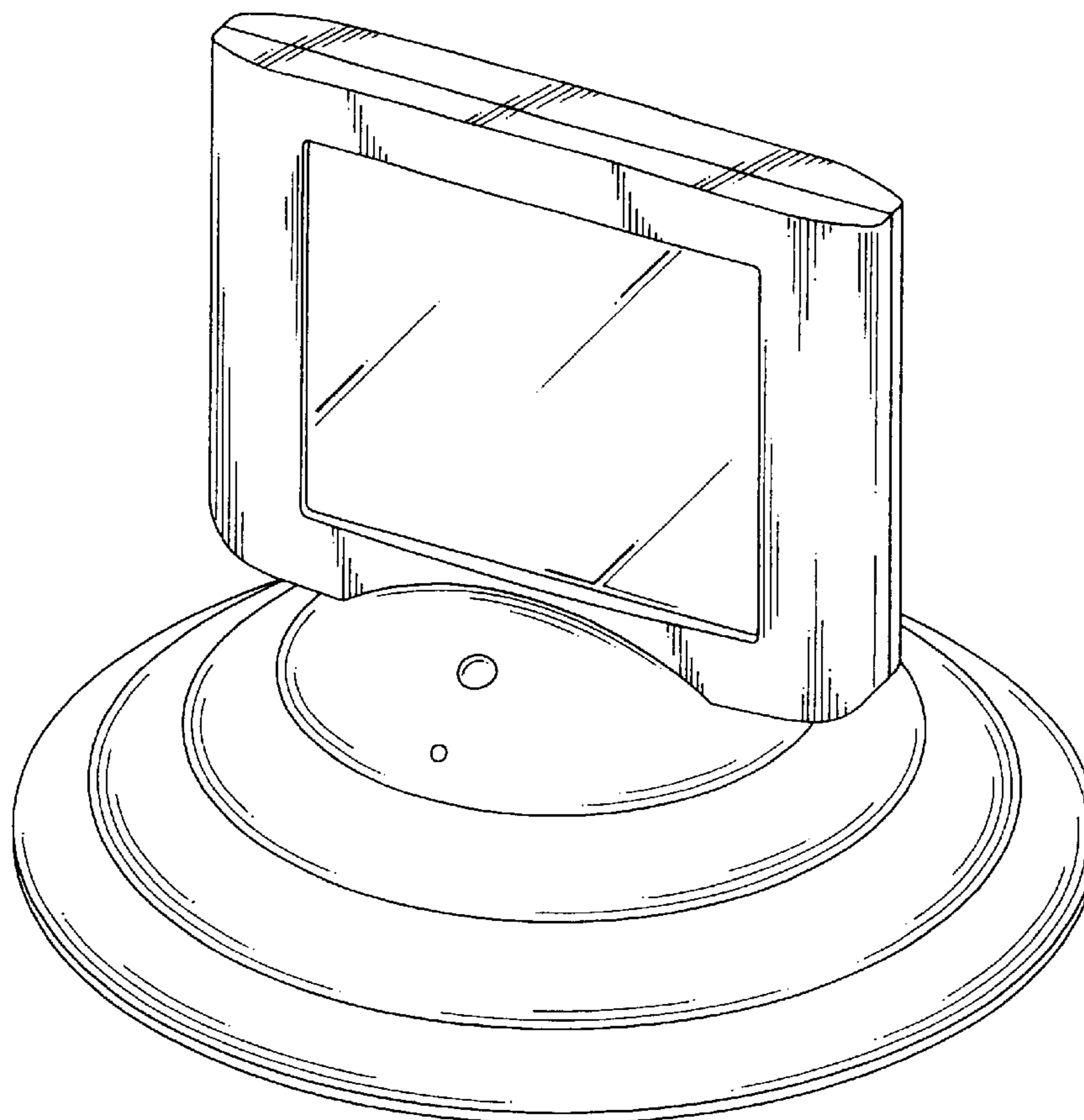
The ornamental design for a television set, as shown.

**DESCRIPTION**

FIG. 1 is a perspective view of a television set showing our new design;  
FIG. 2 is a front view thereof;  
FIG. 3 is a rear view thereof;  
FIG. 4 is a left view thereof;  
FIG. 5 is a right view thereof;  
FIG. 6 is a top view thereof; and,  
FIG. 7 is a bottom view thereof.

- (56) **References Cited**  
U.S. PATENT DOCUMENTS  
D270,063 S \* 8/1983 Ackeret ..... D6/308

**1 Claim, 4 Drawing Sheets**



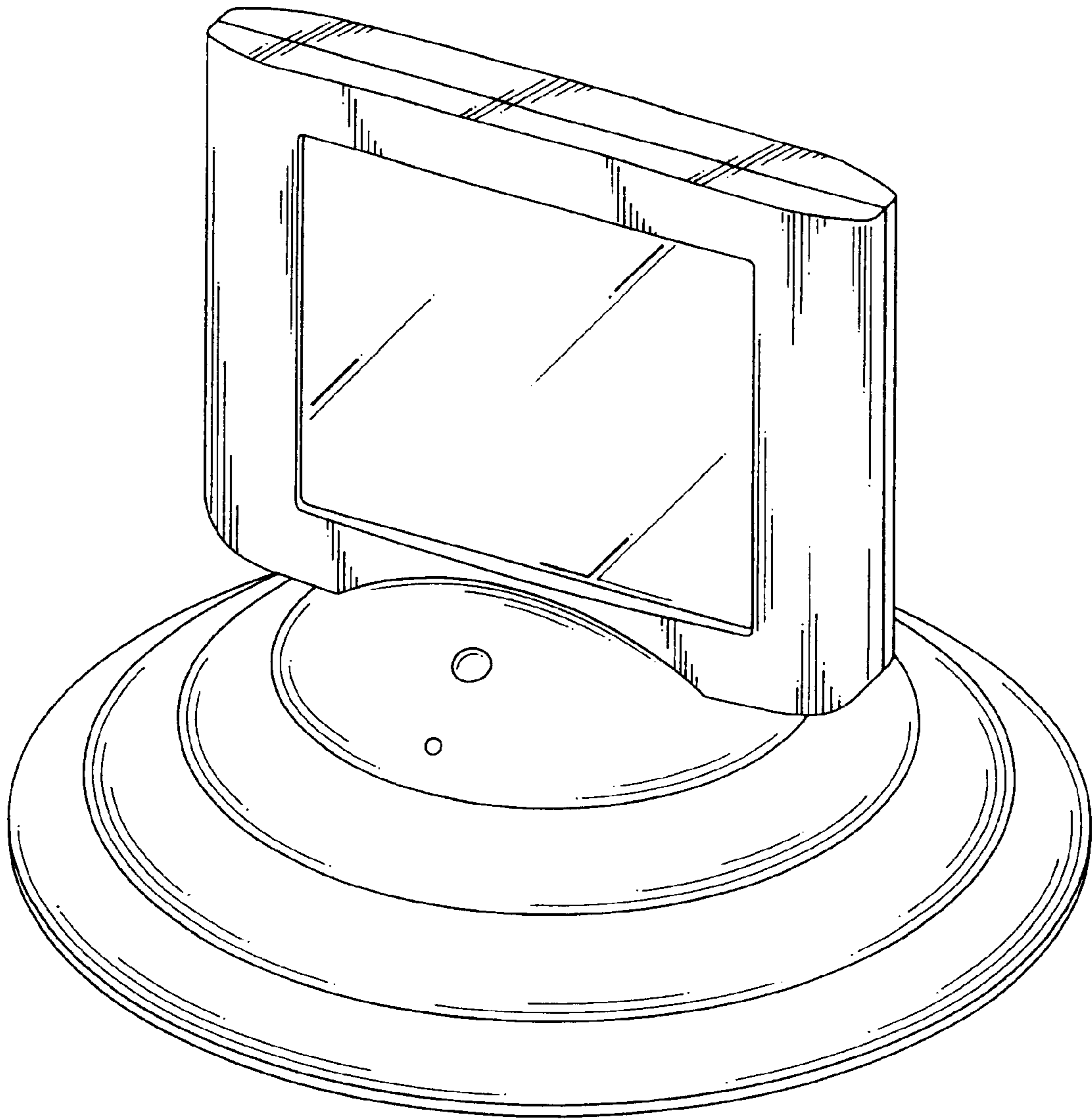


FIG.1

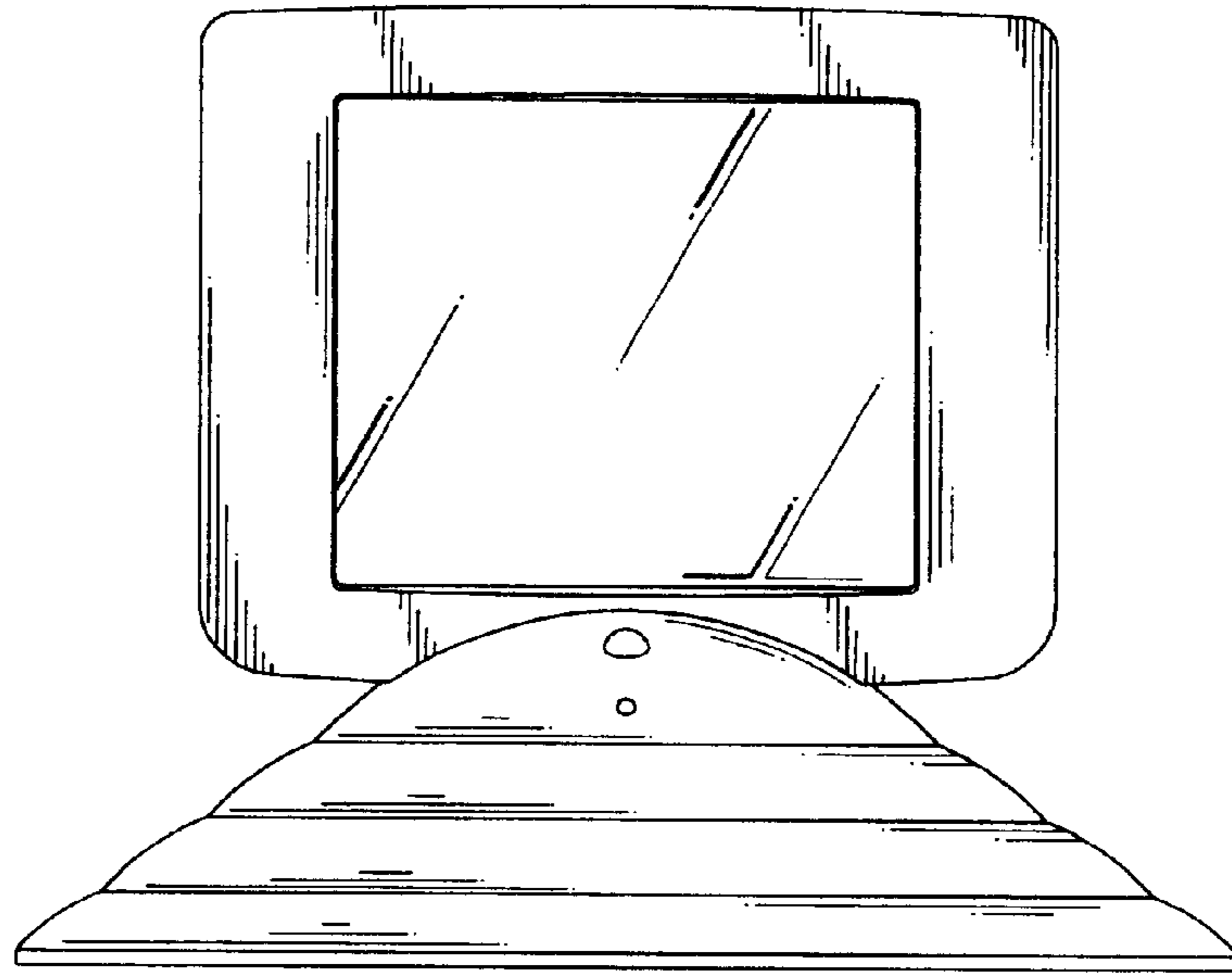


FIG. 2

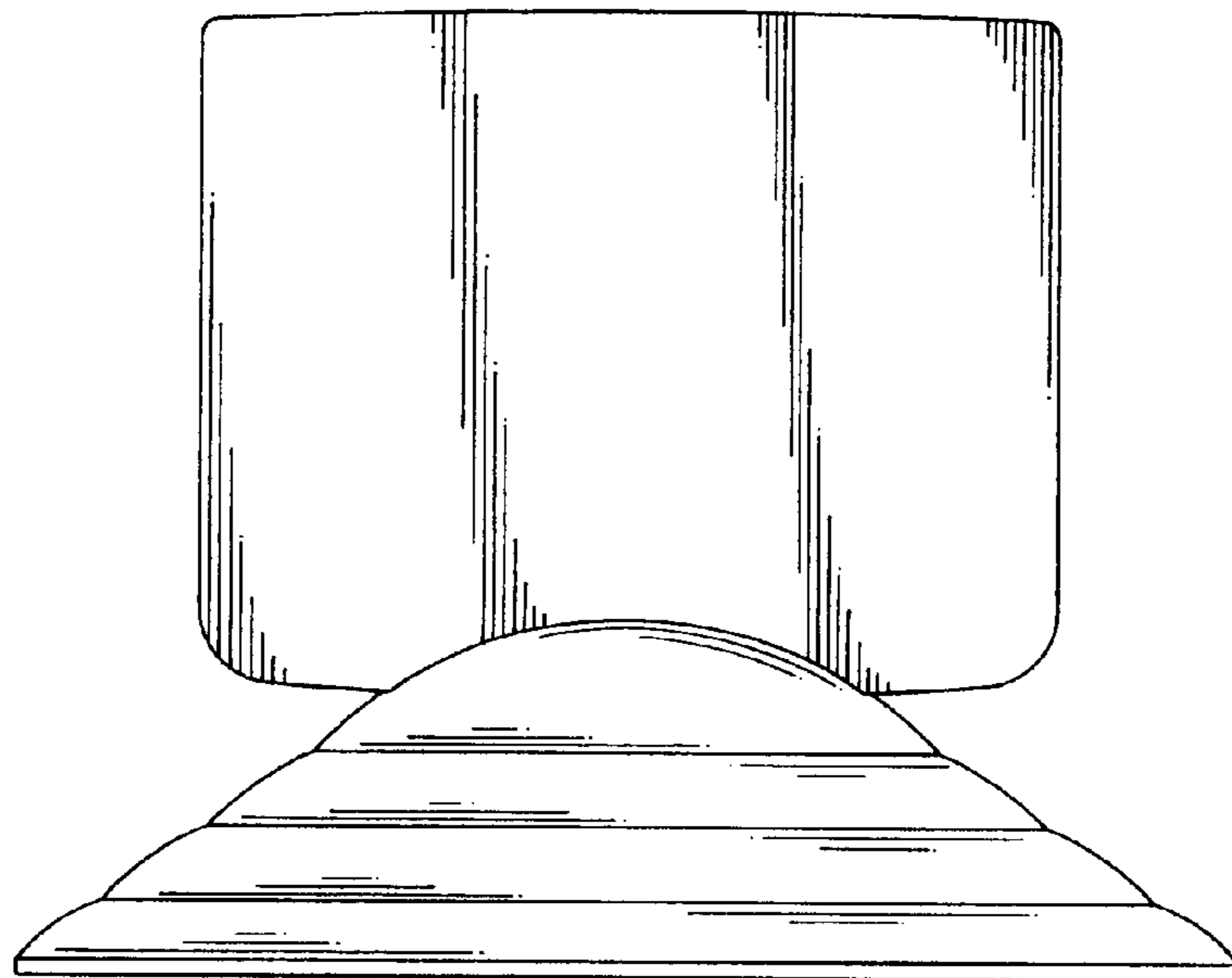


FIG. 3

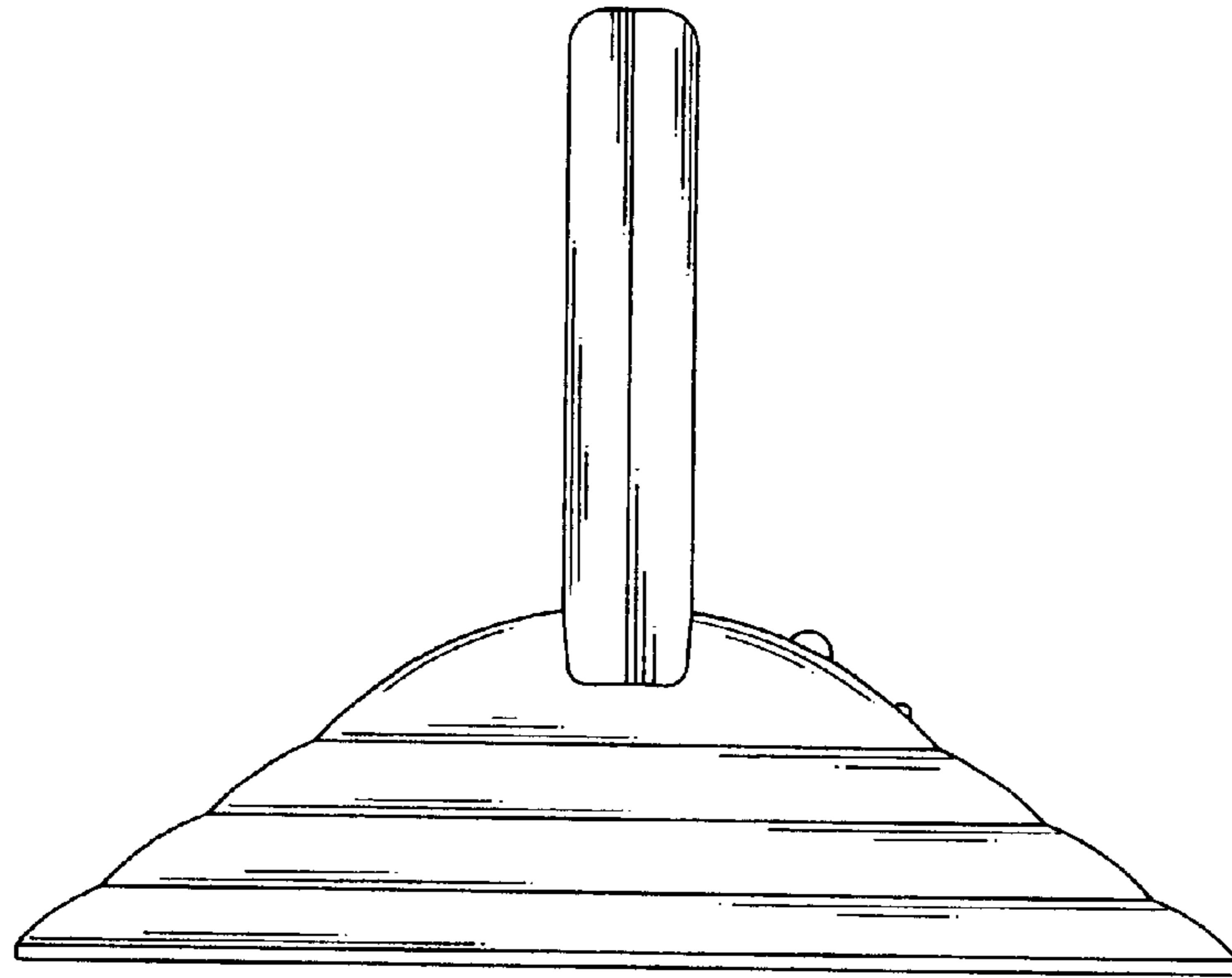


FIG. 4

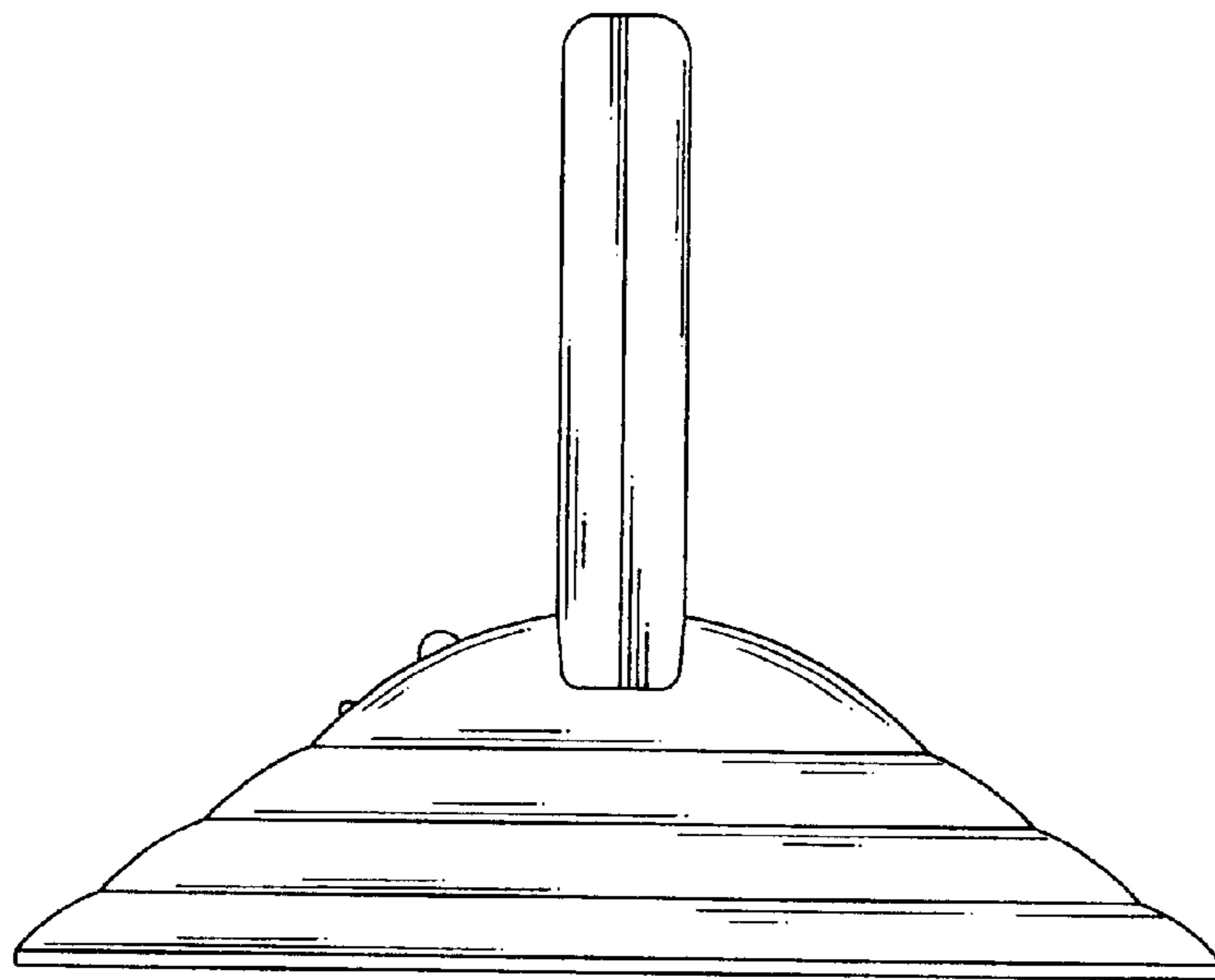


FIG. 5

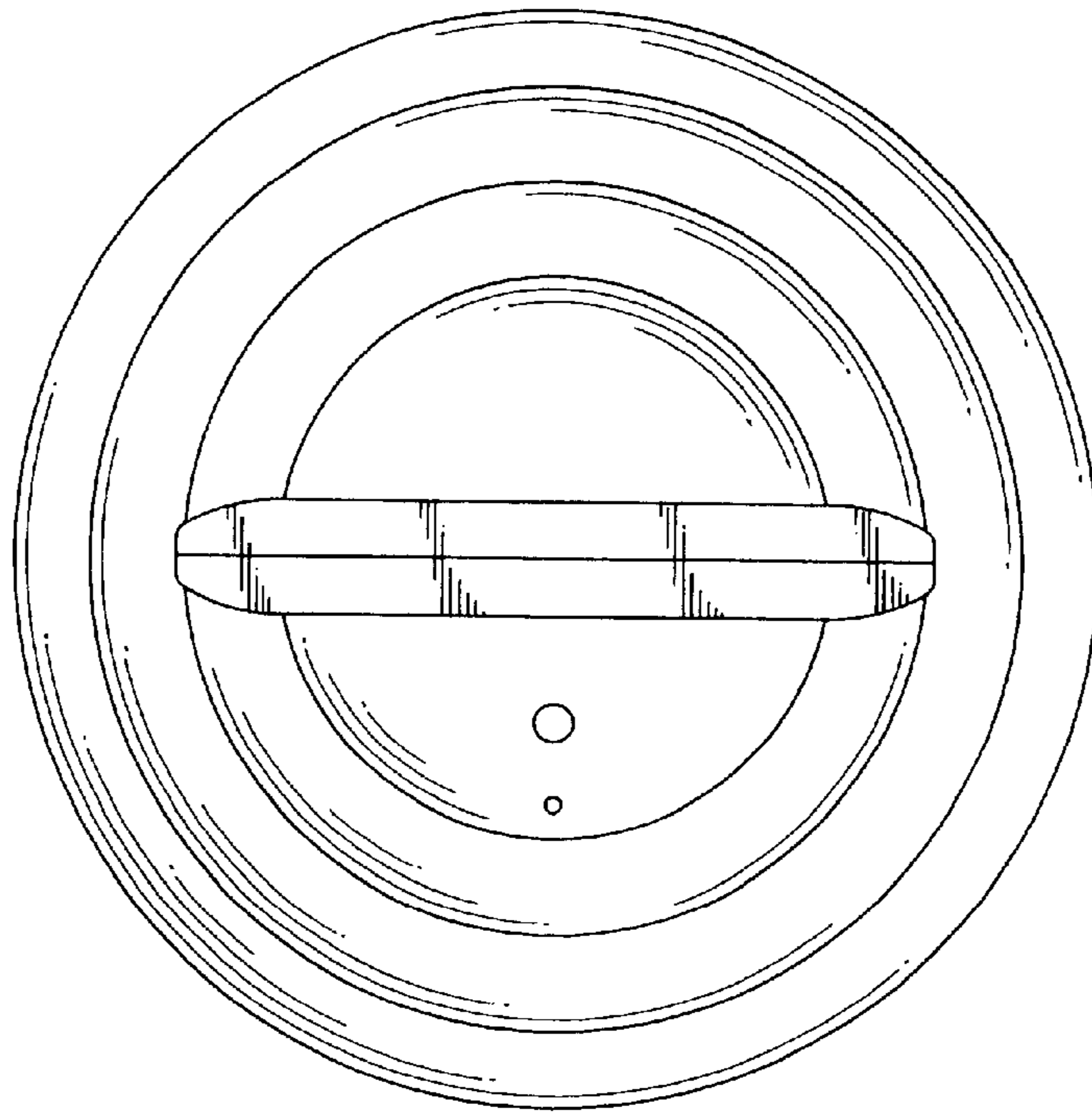


FIG. 6

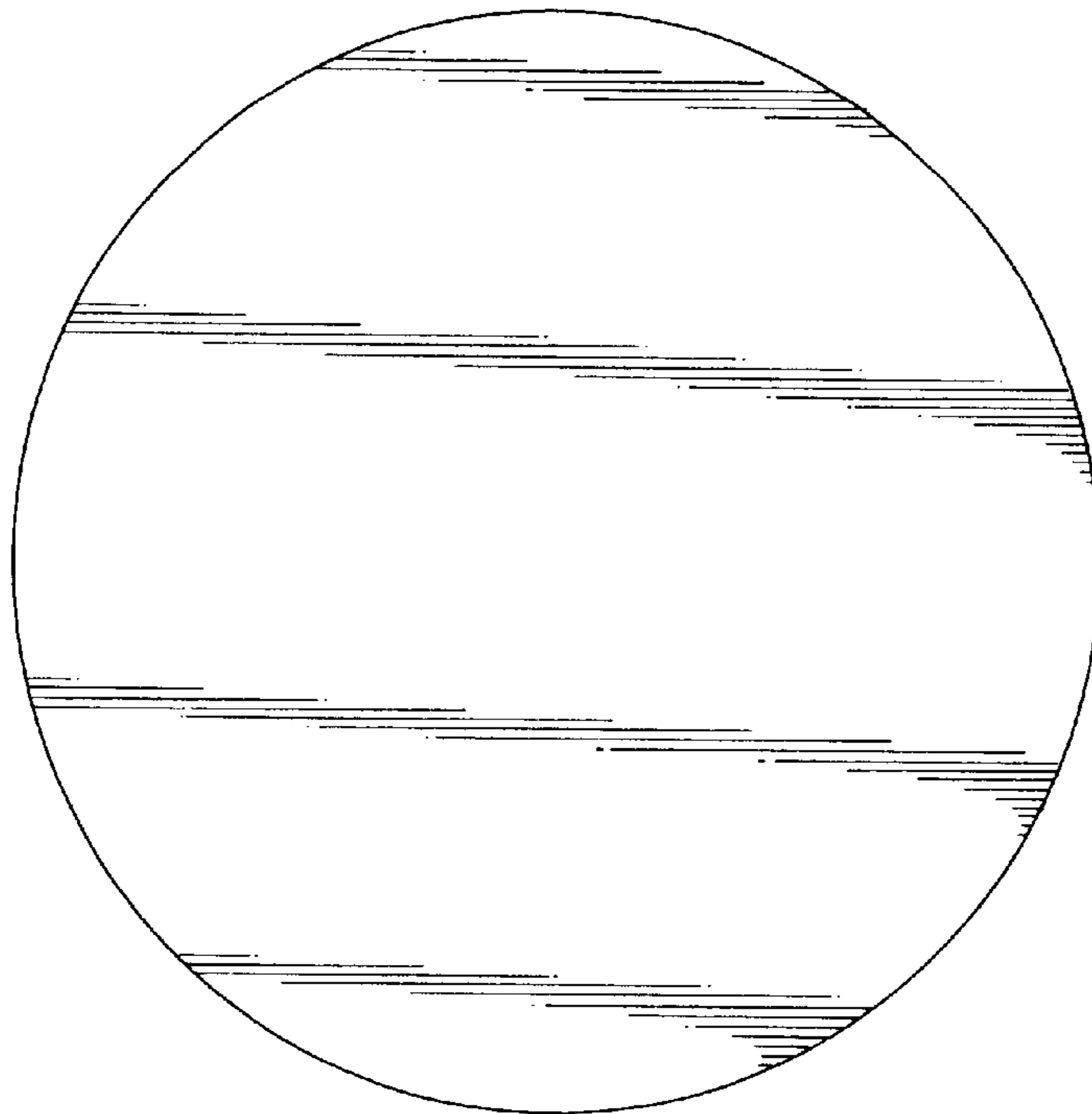


FIG. 7