



US00D520967S

(12) **United States Design Patent**  
**Hoehn et al.**

(10) **Patent No.:** **US D520,967 S**  
(45) **Date of Patent:** **\*\* May 16, 2006**

(54) **TELEVISION SET**

(75) Inventors: **Holger Hoehn**, Taipei (TW); **Reinier Bloem**, Taipei (TW)

(73) Assignee: **Hannspree, Inc.**, Taipei (TW)

(\*\*) Term: **14 Years**

(21) Appl. No.: **29/228,318**

(22) Filed: **Apr. 22, 2005**

(30) **Foreign Application Priority Data**

Nov. 23, 2004 (TW) ..... 93306954

(51) **LOC (8) Cl.** ..... **14-03**

(52) **U.S. Cl.** ..... **D14/126; D14/129**

(58) **Field of Classification Search** ..... D14/125-134,  
D14/239, 371, 136, 374-376; 312/7.2; 348/836,  
348/838, 180, 184, 325, 739; 341/12; 248/917-924,  
248/465; 345/104, 133, 156, 168, 87, 173;  
720/605, 669, 600, 655; 369/99, 197; 455/344-347  
See application file for complete search history.

(56) **References Cited**

**U.S. PATENT DOCUMENTS**

5,072,998 A \* 12/1991 Oh ..... 312/7.2  
D323,324 S \* 1/1992 Suda ..... D14/125

5,464,214 A \* 11/1995 Griffin ..... 273/148 B  
5,564,209 A \* 10/1996 Zagnoli ..... 312/7.2  
5,825,347 A \* 10/1998 Prinsen ..... 348/836  
D406,613 S \* 3/1999 Nakanishi ..... D21/329  
6,159,101 A \* 12/2000 Simpson ..... 463/46  
D438,849 S \* 3/2001 Adachi et al. .... D14/126  
6,558,225 B1 \* 5/2003 Rehkemper et al. .... 446/297  
D475,707 S \* 6/2003 Zuege et al. .... D14/371  
D500,099 S \* 12/2004 Gioffre ..... D21/627  
D508,695 S \* 8/2005 Vaughn ..... D14/448

\* cited by examiner

*Primary Examiner*—Raphael Barkai

(74) *Attorney, Agent, or Firm*—Bacon & Thomas, PLLC

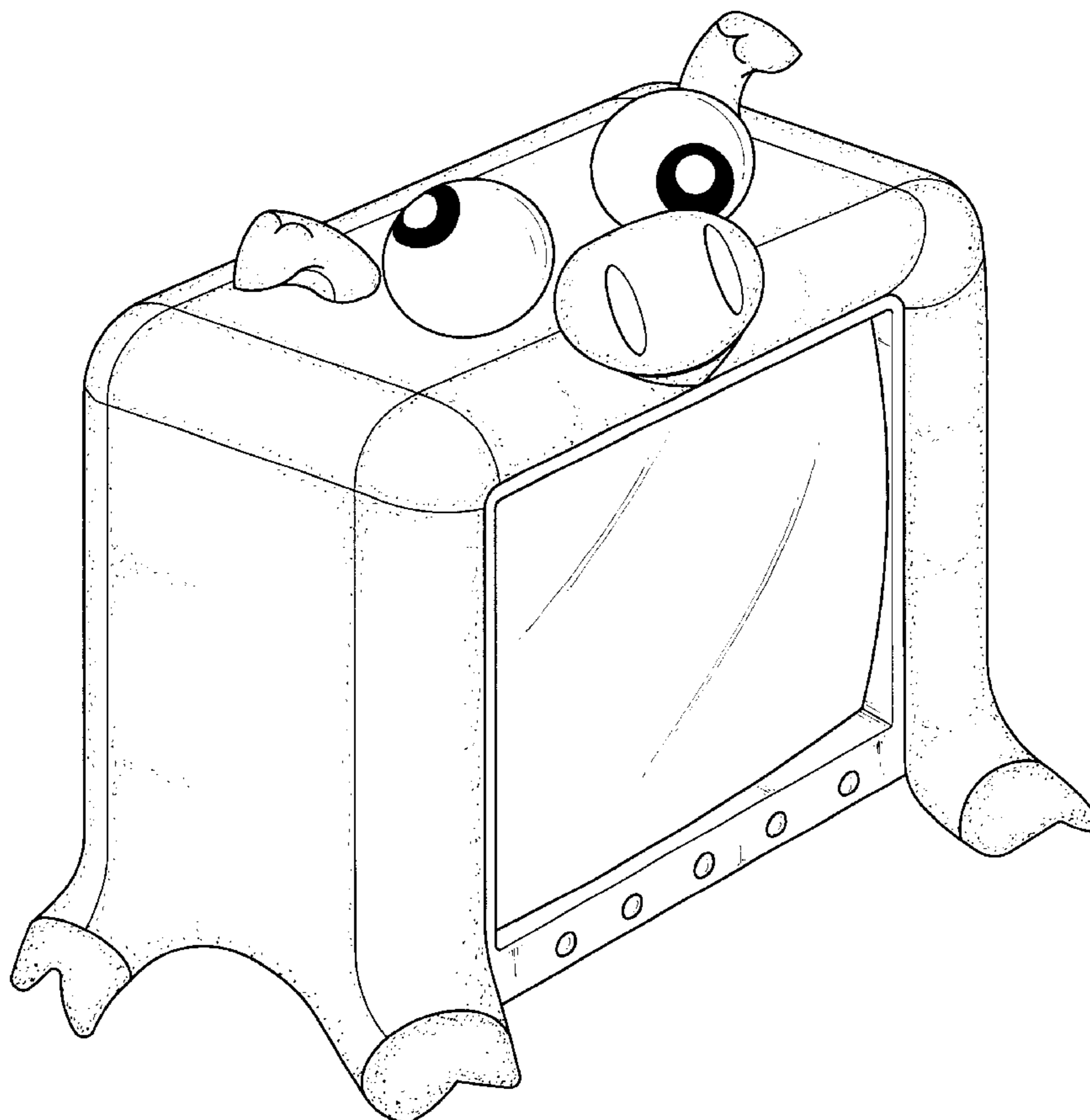
(57) **CLAIM**

The ornamental design for a television set, as shown.

**DESCRIPTION**

FIG. 1 is a perspective view of a television set showing my new design;  
FIG. 2 is a front elevational view thereof;  
FIG. 3 is a rear elevational view thereof;  
FIG. 4 is a left side elevational view thereof;  
FIG. 5 is a right side elevational view thereof;  
FIG. 6 is a top plan view thereof; and,  
FIG. 7 is a bottom plan view thereof.

**1 Claim, 6 Drawing Sheets**



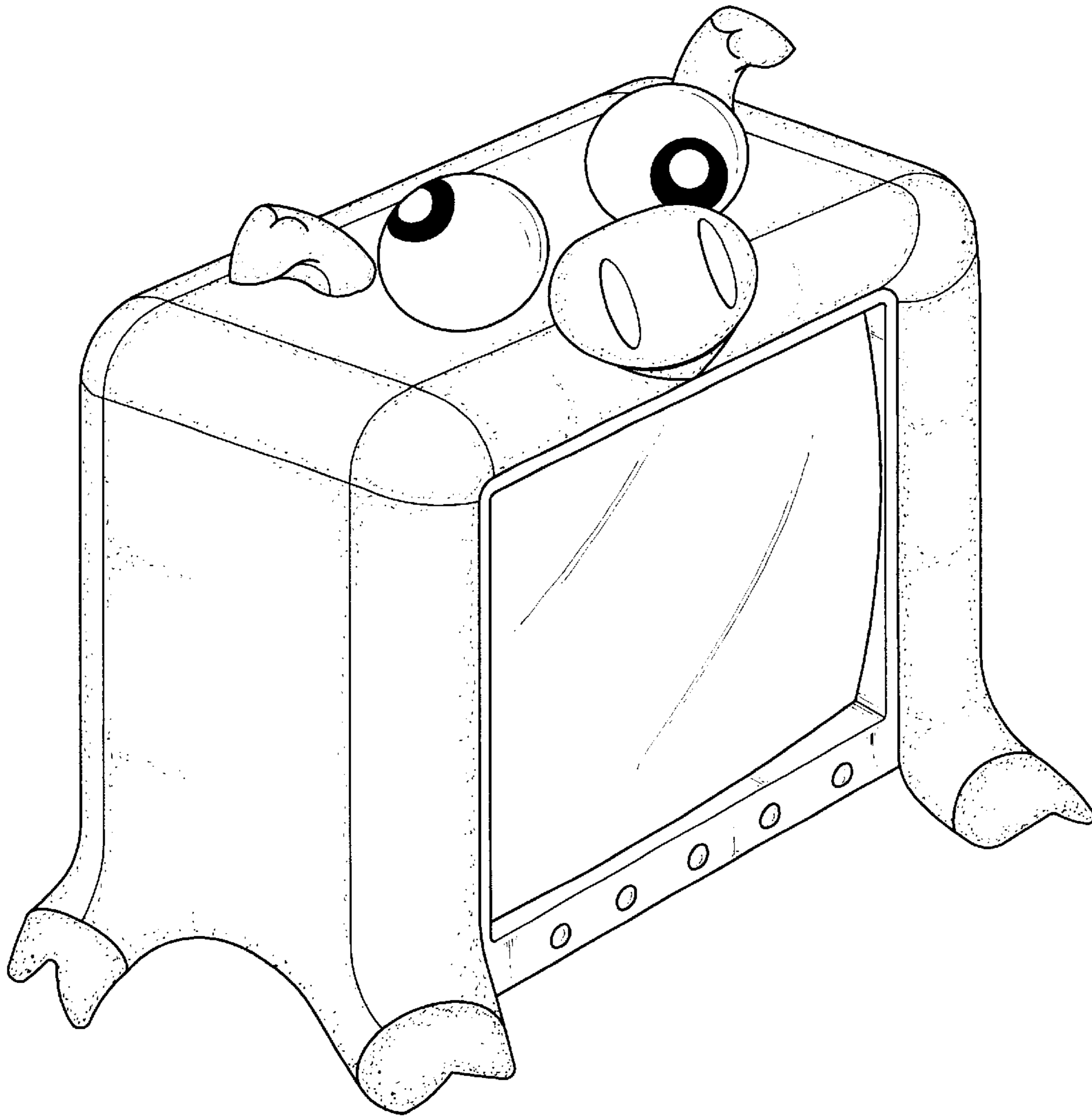


FIG. 1

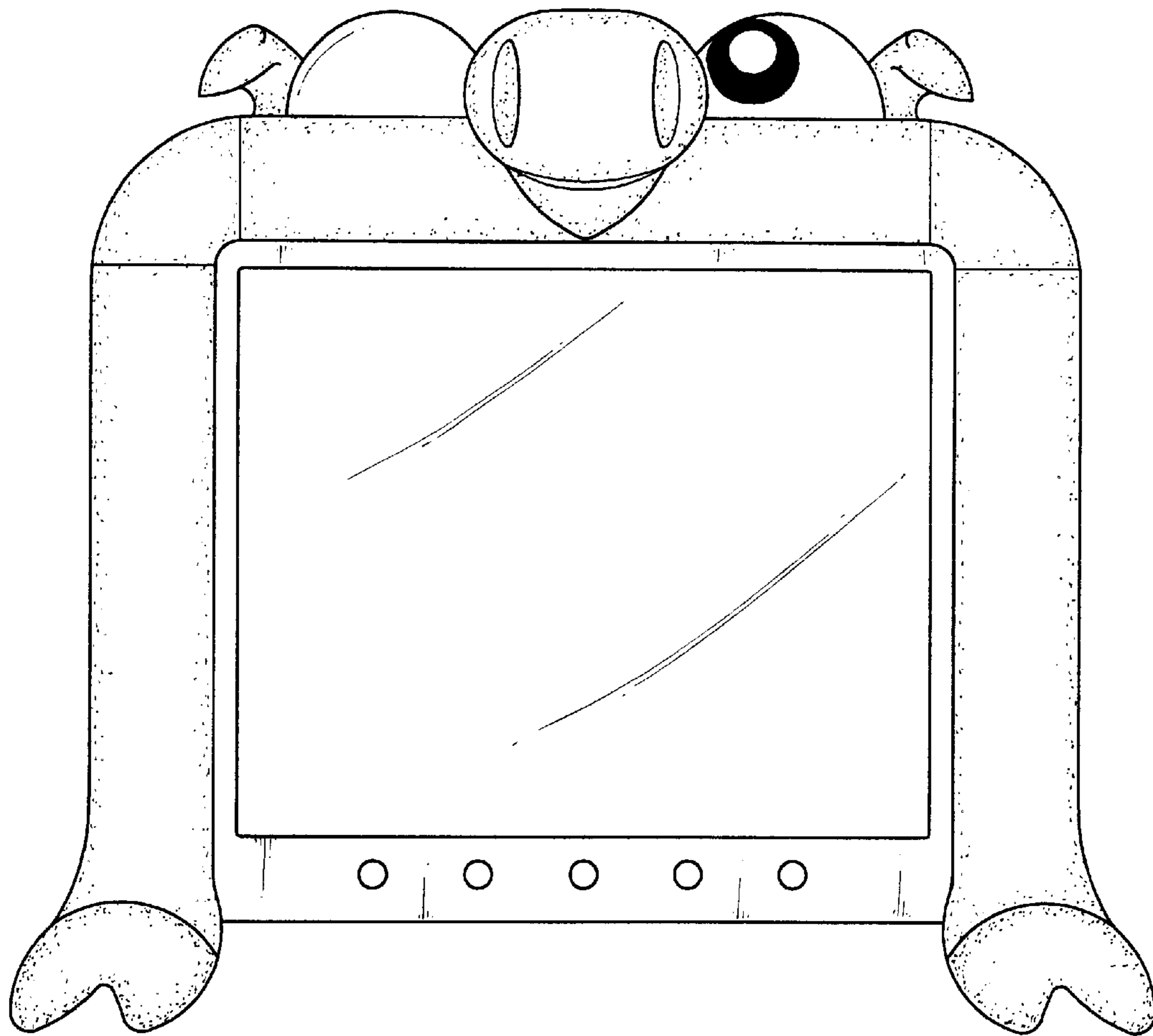


FIG. 2

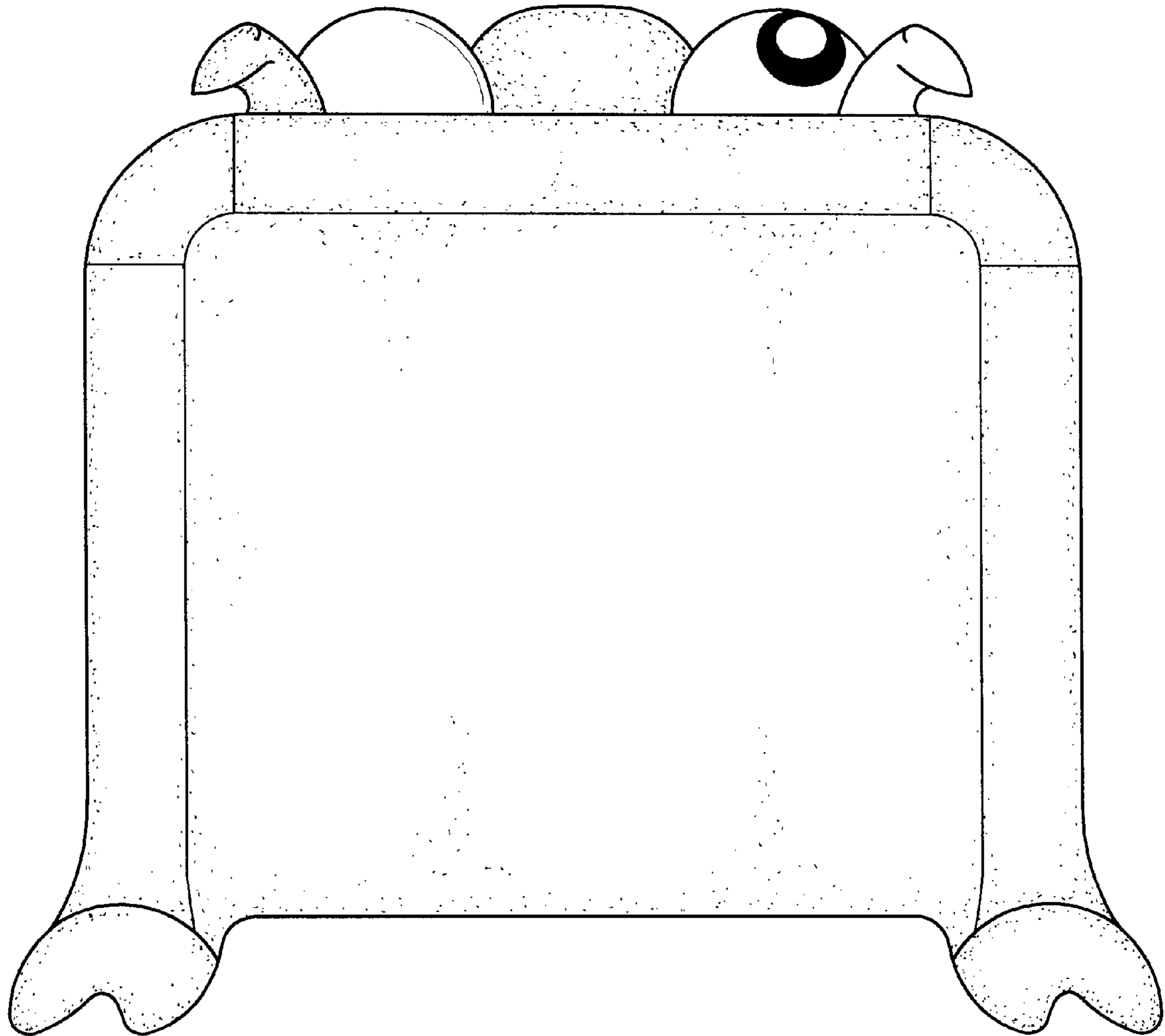


FIG. 3

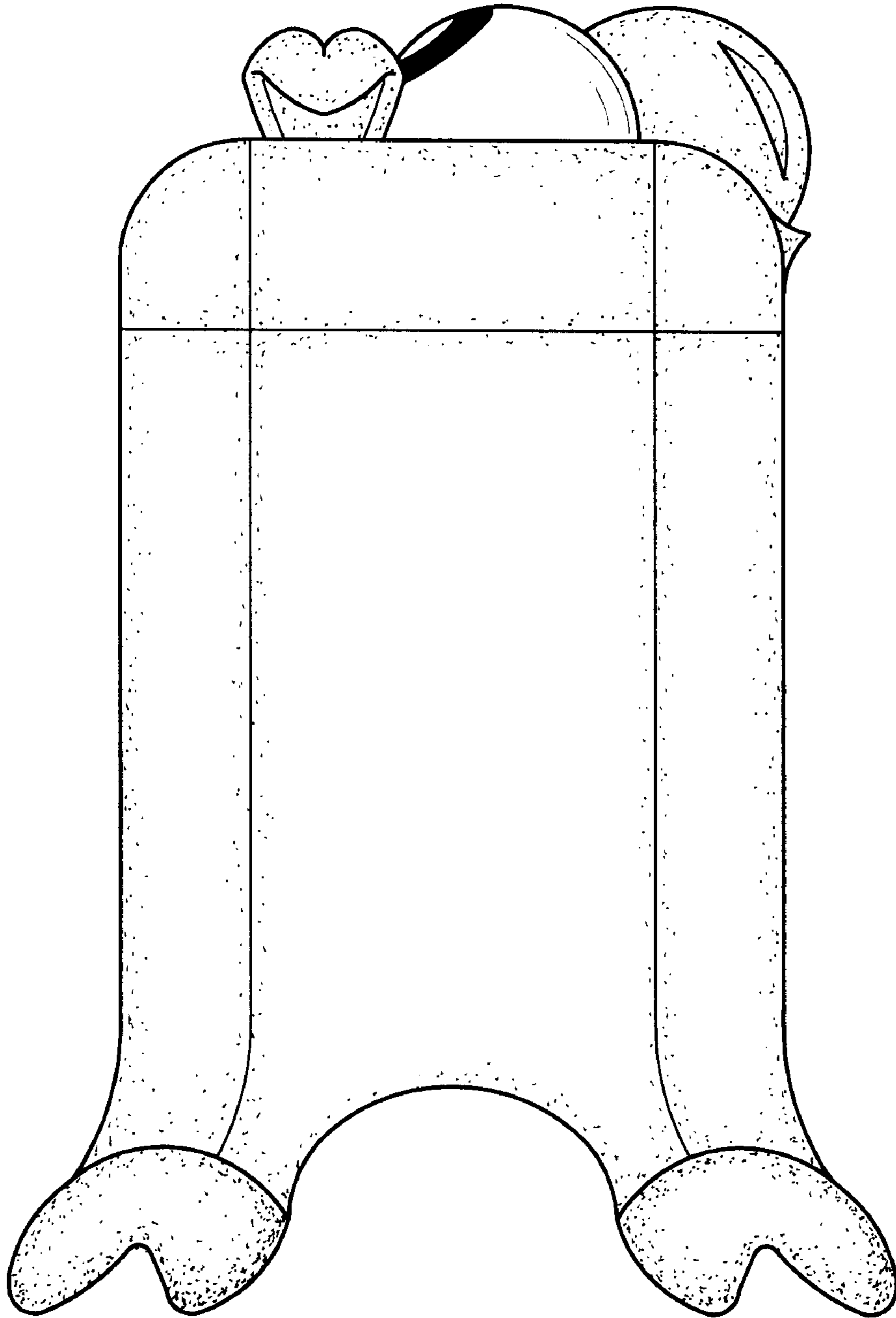


FIG. 4

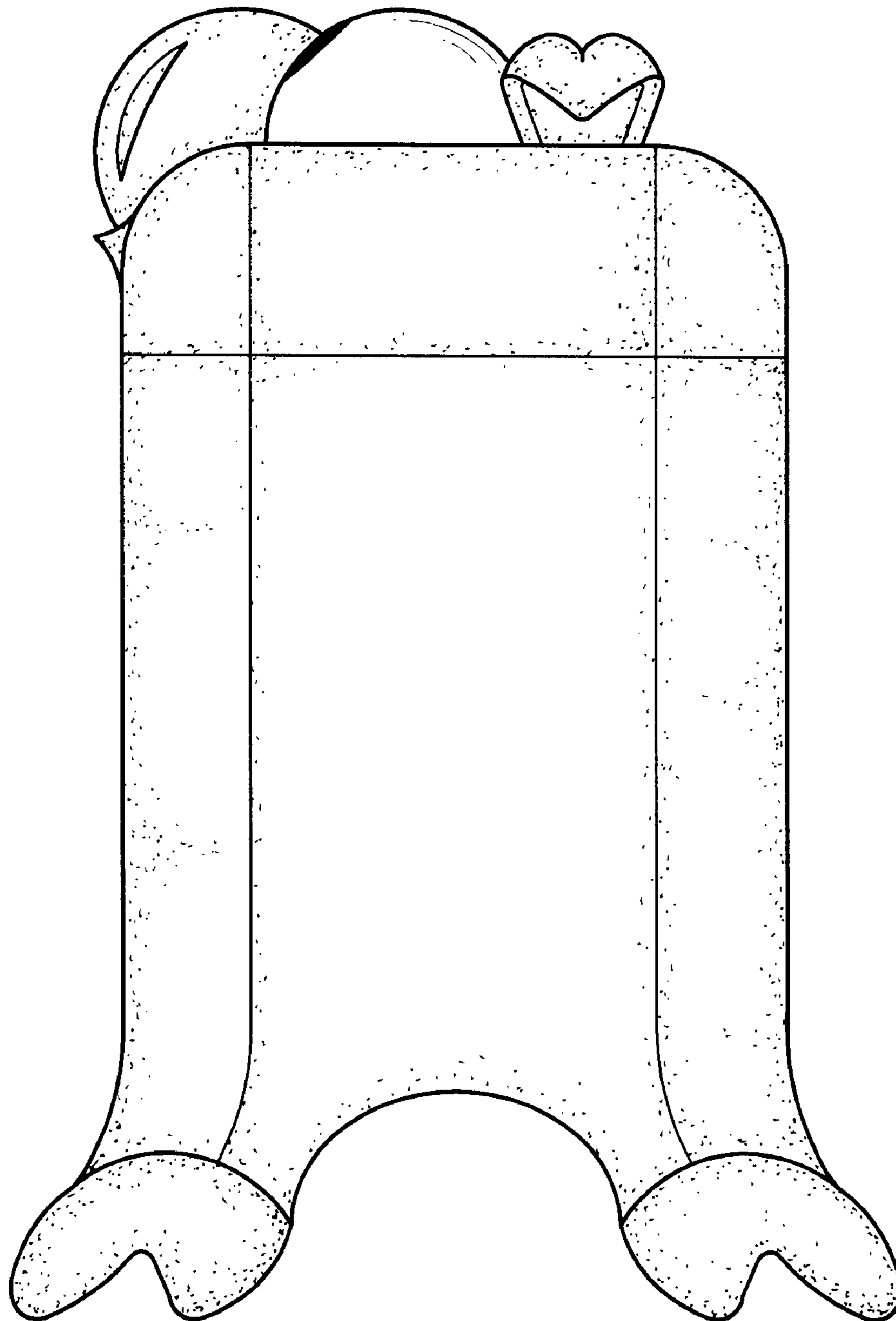


FIG. 5



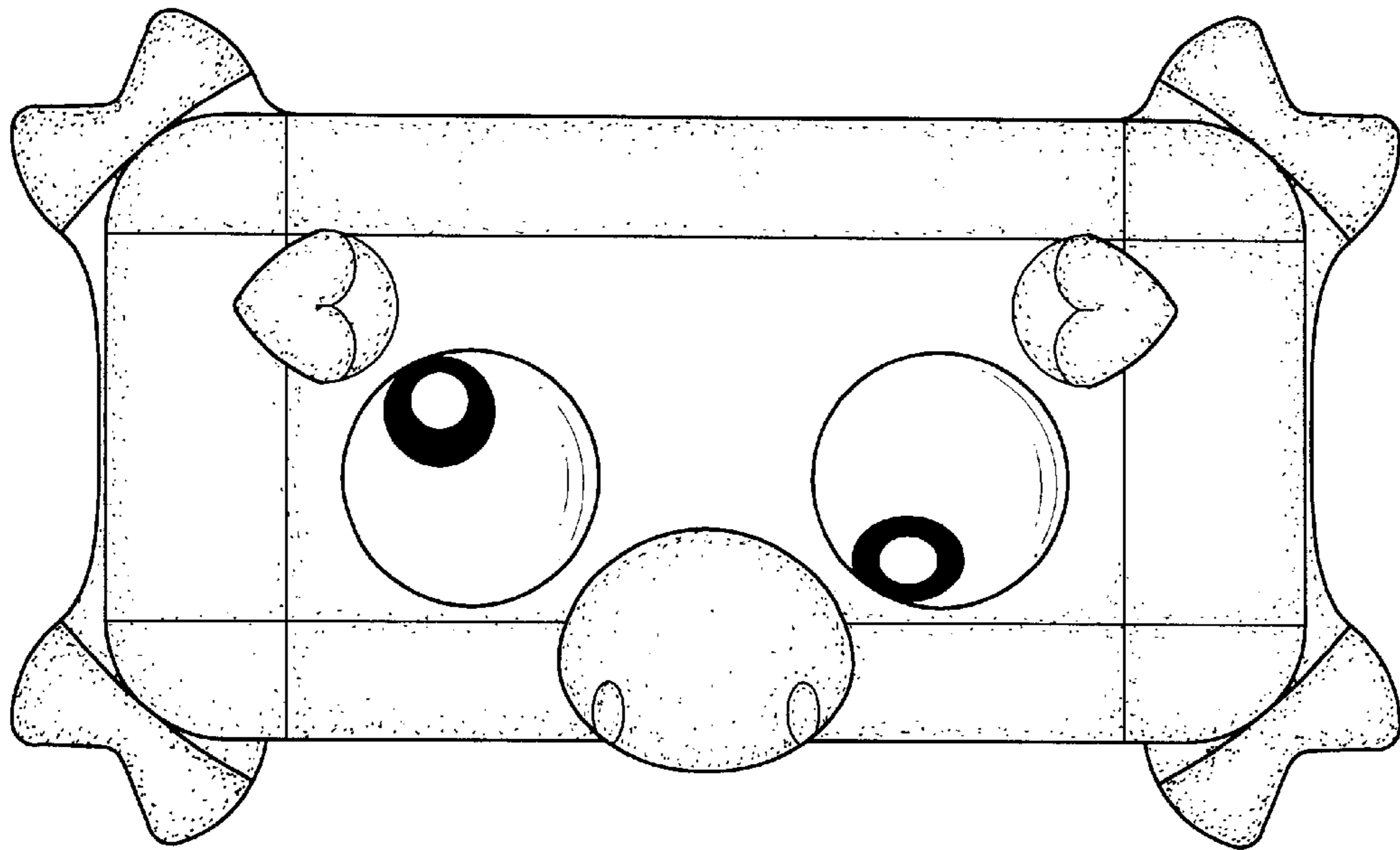


FIG. 6

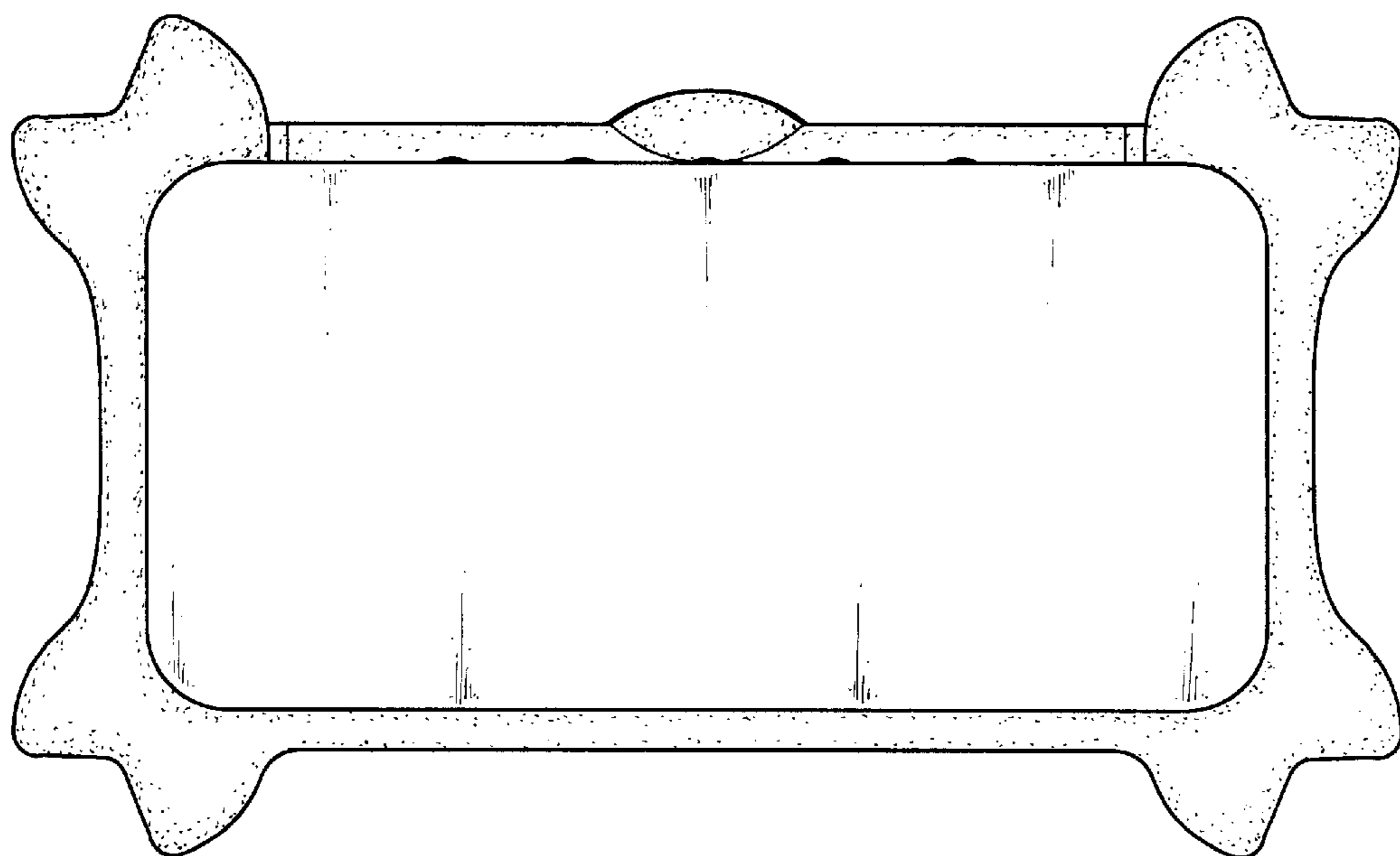


FIG. 7