

US00D520965S

(12) **United States Design Patent**  
**Omata**

(10) **Patent No.:** **US D520,965 S**

(45) **Date of Patent:** **\*\* May 16, 2006**

(54) **LIGHT EMITTING DIODE FOR ILLUMINATING AN OBJECT**

2004/0264195 A1 12/2004 Chang et al.  
2005/0023538 A1 \* 2/2005 Ishii et al. .... 257/79  
2005/0051789 A1 \* 3/2005 Negley et al. .... 257/99

(75) Inventor: **Kazuki Omata**, Yamanashi (JP)

FOREIGN PATENT DOCUMENTS

(73) Assignee: **Citizen Electronics Co., Ltd.**,  
Yamanashi (JP)

DE	402203877	12/2002
JP	D 927716	7/1993
JP	D1065756/1	6/2000
JP	D1162642	1/2003

(\*\*) Term: **14 Years**

\* cited by examiner

(21) Appl. No.: **29/186,054**

*Primary Examiner*—Stella Reid  
*Assistant Examiner*—Selina Sikder

(22) Filed: **Jul. 10, 2003**

(74) *Attorney, Agent, or Firm*—Browdy and Neimark, PLLC

(30) **Foreign Application Priority Data**

Jan. 10, 2003 (JP) ..... 2003-000400

(51) **LOC (8) Cl.** ..... **13-03**

(52) **U.S. Cl.** ..... **D13/180**

(58) **Field of Classification Search** ..... D13/180;  
D26/2; 257/79, 80, 81, 82, 88, 89, 95, 98,  
257/99, 100, 433, 434, 666; 313/483, 498,  
313/500; 361/820; 362/235, 555, 800; 372/45  
See application file for complete search history.

(57) **CLAIM**

The ornamental design for a light emitting diode for illuminating an object, as shown and described.

**DESCRIPTION**

The article according to the present design is contained, for example, in a cellular phone with camera and is used as a light source for illuminating an object in photographing a still or moving object in a dark place, as shown in an explanatory view showing a used condition of the article. FIG. 1 is a perspective view showing the present design. FIG. 2 is a front view showing the present design. FIG. 3 is a plan view showing the present design, the bottom view being symmetrical thereof. FIG. 4 is a right side view showing the present design, the left side view being symmetrical thereof. FIG. 5 is a back view showing the present design. FIG. 6 is a sectional view taken along the 6—6 line in FIG. 2 showing the present design; and, FIG. 7 is a reference view showing a used state of article according to the present design.

(56) **References Cited**

U.S. PATENT DOCUMENTS

4,070,568	A	1/1978	Gala	
4,306,716	A	12/1981	James et al.	
5,408,395	A	4/1995	Schmid et al.	
5,534,718	A	7/1996	Chang	
6,876,149	B1 *	4/2005	Miyashita	313/512
D505,661	S *	5/2005	Suenaga	D13/180
2003/0025117	A1 *	2/2003	Isokawa et al.	257/79
2003/0116769	A1 *	6/2003	Song et al.	257/79
2003/0189830	A1	10/2003	Sugimoto et al.	
2004/0070338	A1 *	4/2004	Noguchi et al.	313/512
2004/0079957	A1 *	4/2004	Andrews et al.	257/100
2004/0184272	A1	9/2004	Wright et al.	
2004/0201987	A1	10/2004	Omata	

**1 Claim, 7 Drawing Sheets**

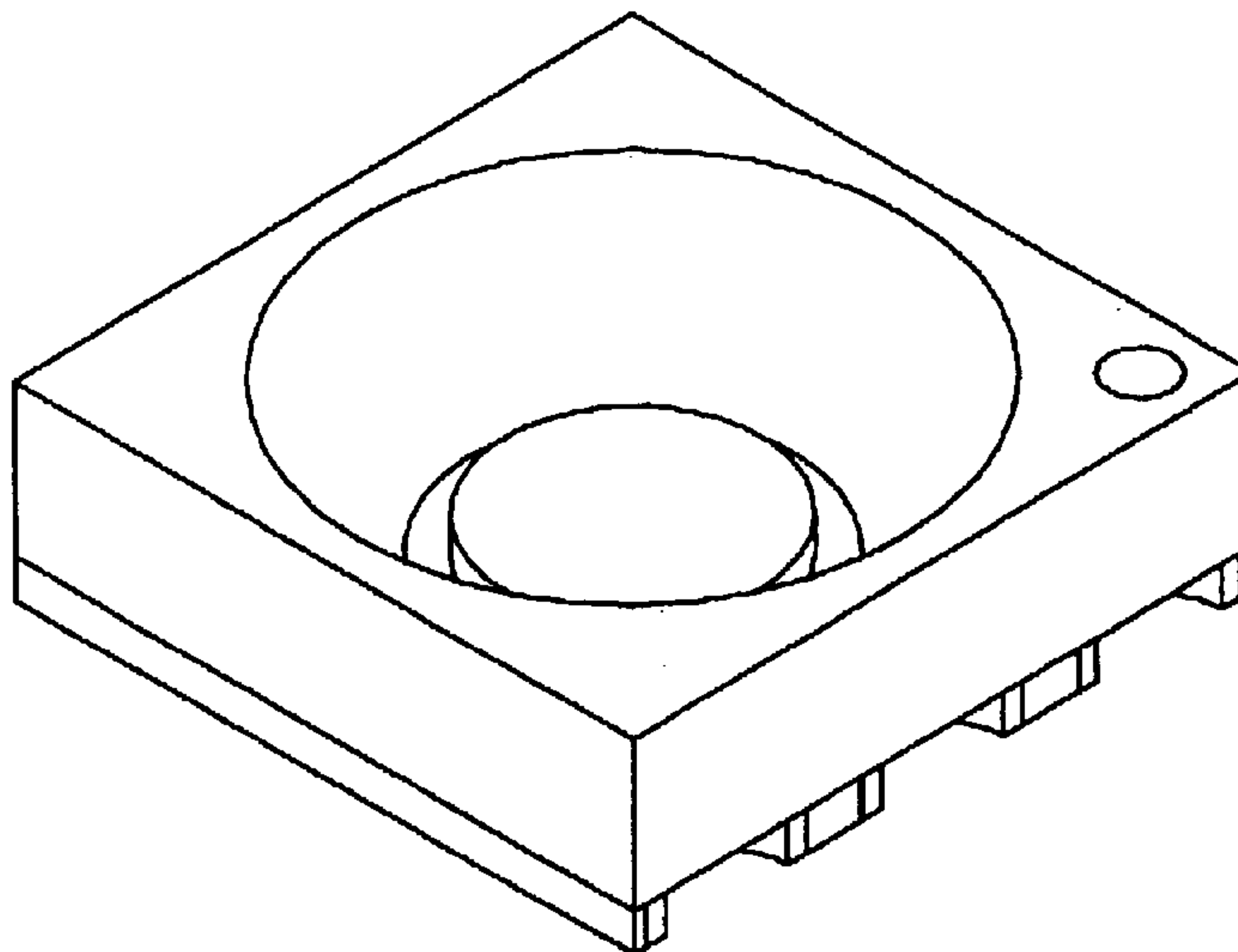


Fig. 1

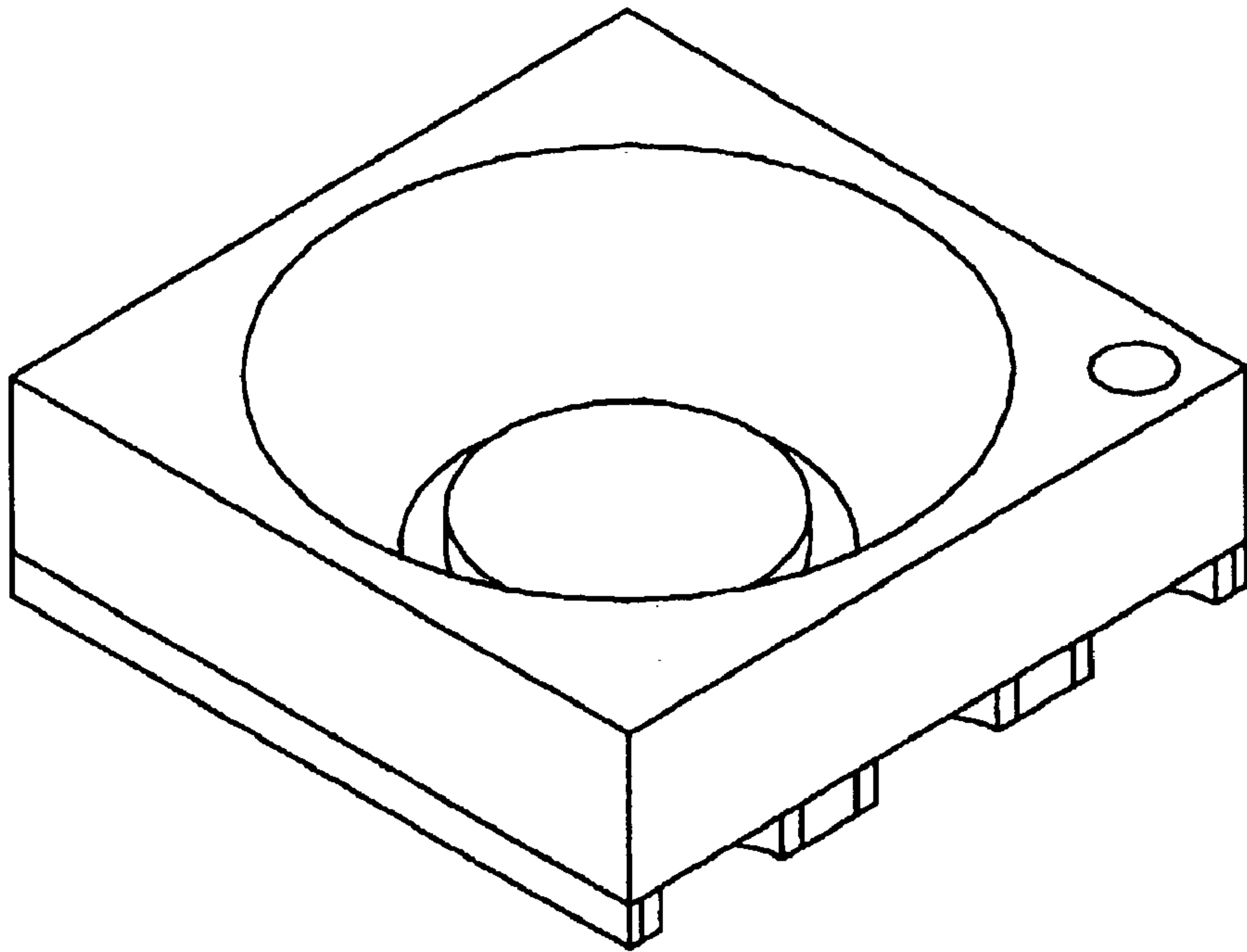
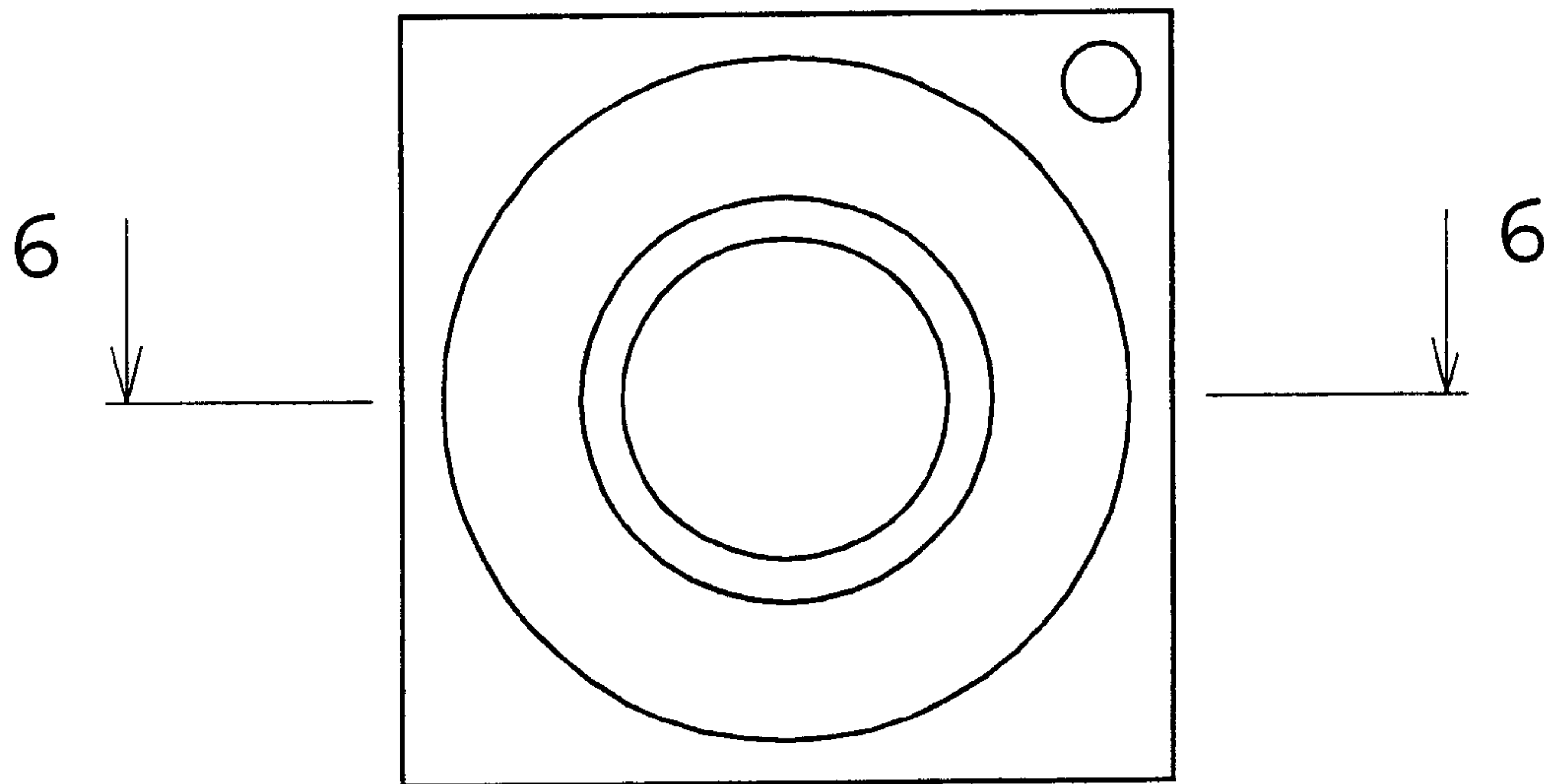


Fig. 2



**Fig. 3**

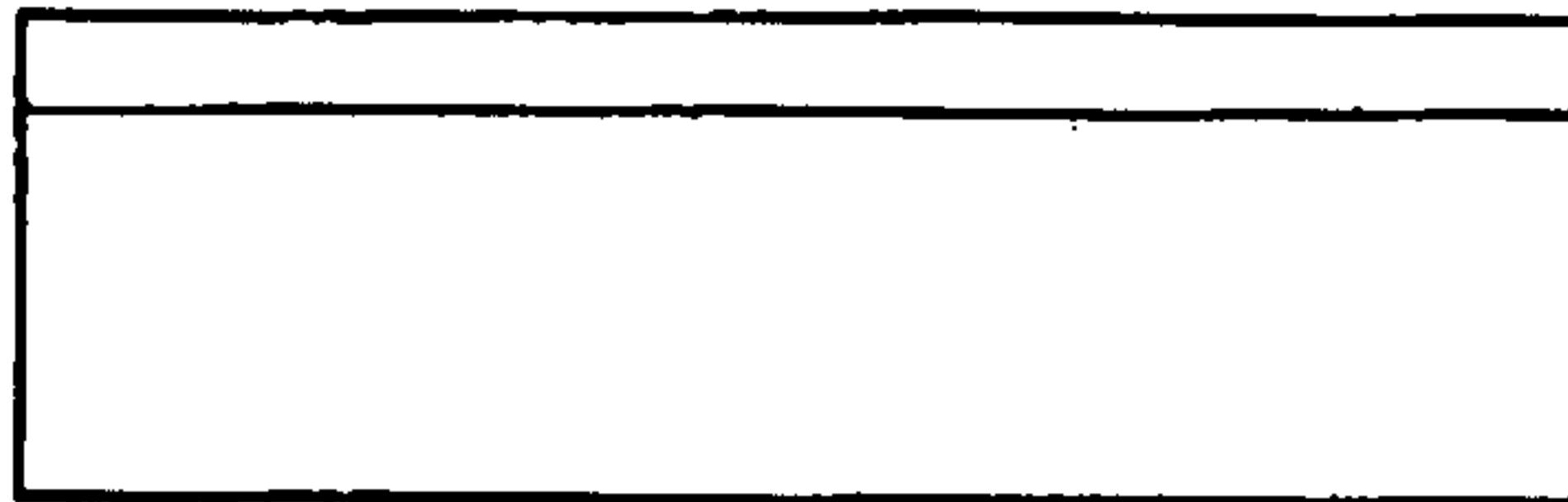


Fig. 4

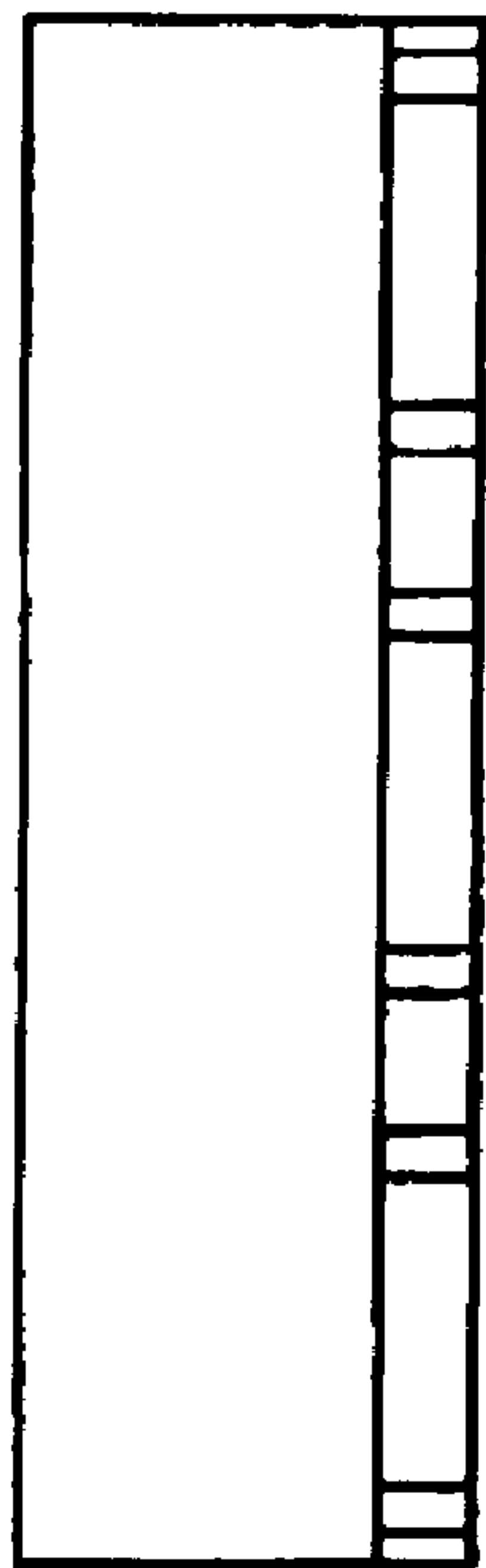
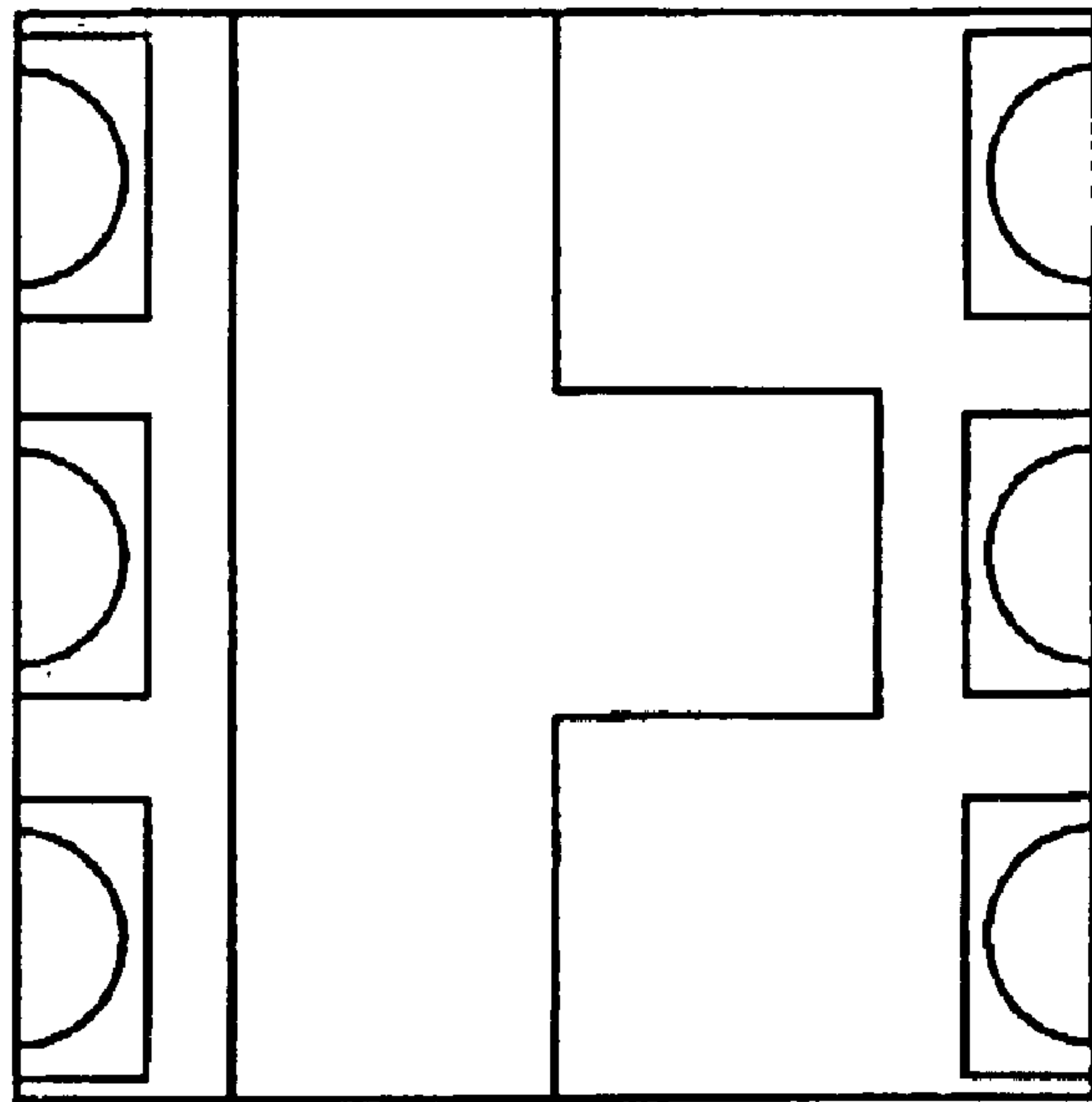


Fig. 5



# Fig. 6

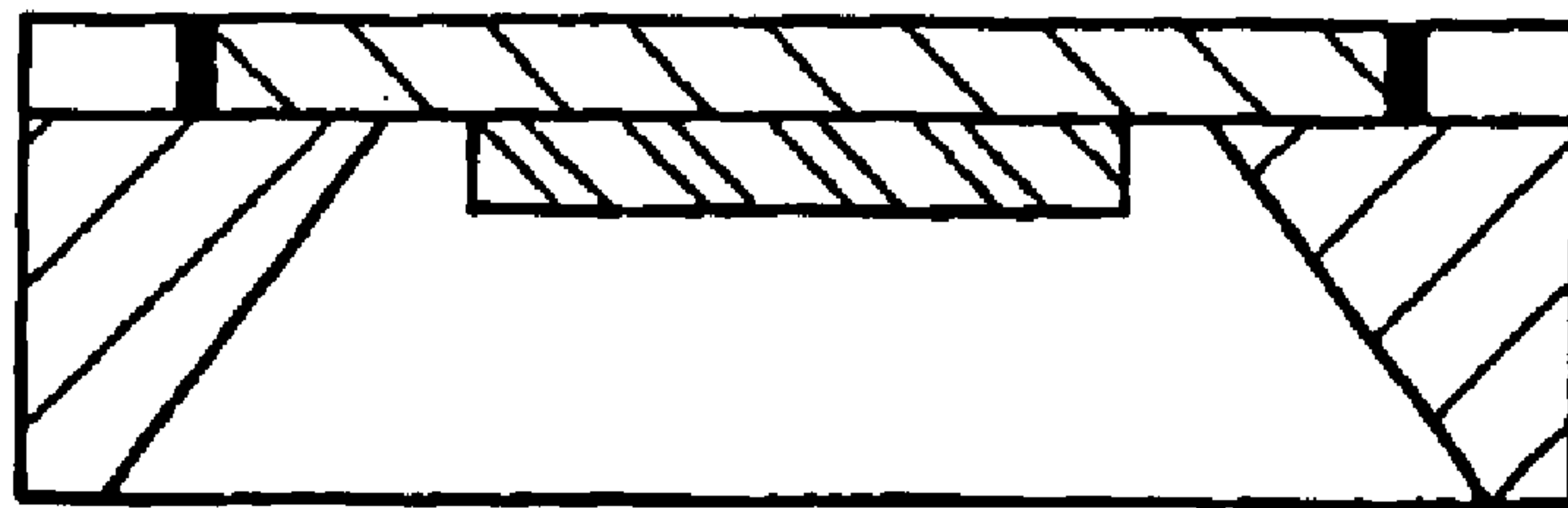


Fig. 7

