



US00D520960S

(12) **United States Design Patent**
Nagai et al.

(10) **Patent No.:** **US D520,960 S**
(45) **Date of Patent:** **** May 16, 2006**

(54) **VACUUM EQUIPMENT**

FOREIGN PATENT DOCUMENTS

(75) Inventors: **Shigekazu Nagai**, Tokyo-to (JP);
Yoshiharu Ito, Toride (JP); **Takashi Toyama**, Moriya (JP)

JP D 1099463 2/2001

(73) Assignee: **SMC Kabushiki Kaisha**, Tokyo (JP)

OTHER PUBLICATIONS

(**) Term: **14 Years**

U.S. Appl. No. 29/206,739, filed: Jun. 1, 2004: Inventor: S. Nagai, et al; Title: Vacuum Switch.

U.S. Appl. No. 29/206,741, filed: Jun. 1, 2004: Inventor: S. Nagai, et al; Title: Vacuum Generator.

(21) Appl. No.: **29/206,740**

* cited by examiner

(22) Filed: **Jun. 1, 2004**

Primary Examiner—Stella Reid
Assistant Examiner—Selina Sikder

(30) **Foreign Application Priority Data**

Dec. 1, 2003 (JP) 2003-035694

(74) *Attorney, Agent, or Firm*—Frishauf, Holtz, Goodman & Chick, P.C.

(51) **LOC (8) Cl.** **13-03**

(57) **CLAIM**

(52) **U.S. Cl.** **D13/158**

The ornamental design for a vacuum equipment, as shown.

(58) **Field of Classification Search** D13/133,
D13/147, 158, 166; 200/19.25, 81 R, 83 R,
200/5 R, 52 R; 218/118, 143; 417/19, 182,
417/183, 187

DESCRIPTION

See application file for complete search history.

FIG. 1 is a top, front and left-side perspective view of a vacuum equipment showing our new design;
FIG. 2 is a front view thereof;
FIG. 3 is a rear view thereof;
FIG. 4 is a top plan view thereof;
FIG. 5 is a bottom plan view thereof;
FIG. 6 is a right side view thereof; and,
FIG. 7 is a left side view thereof.

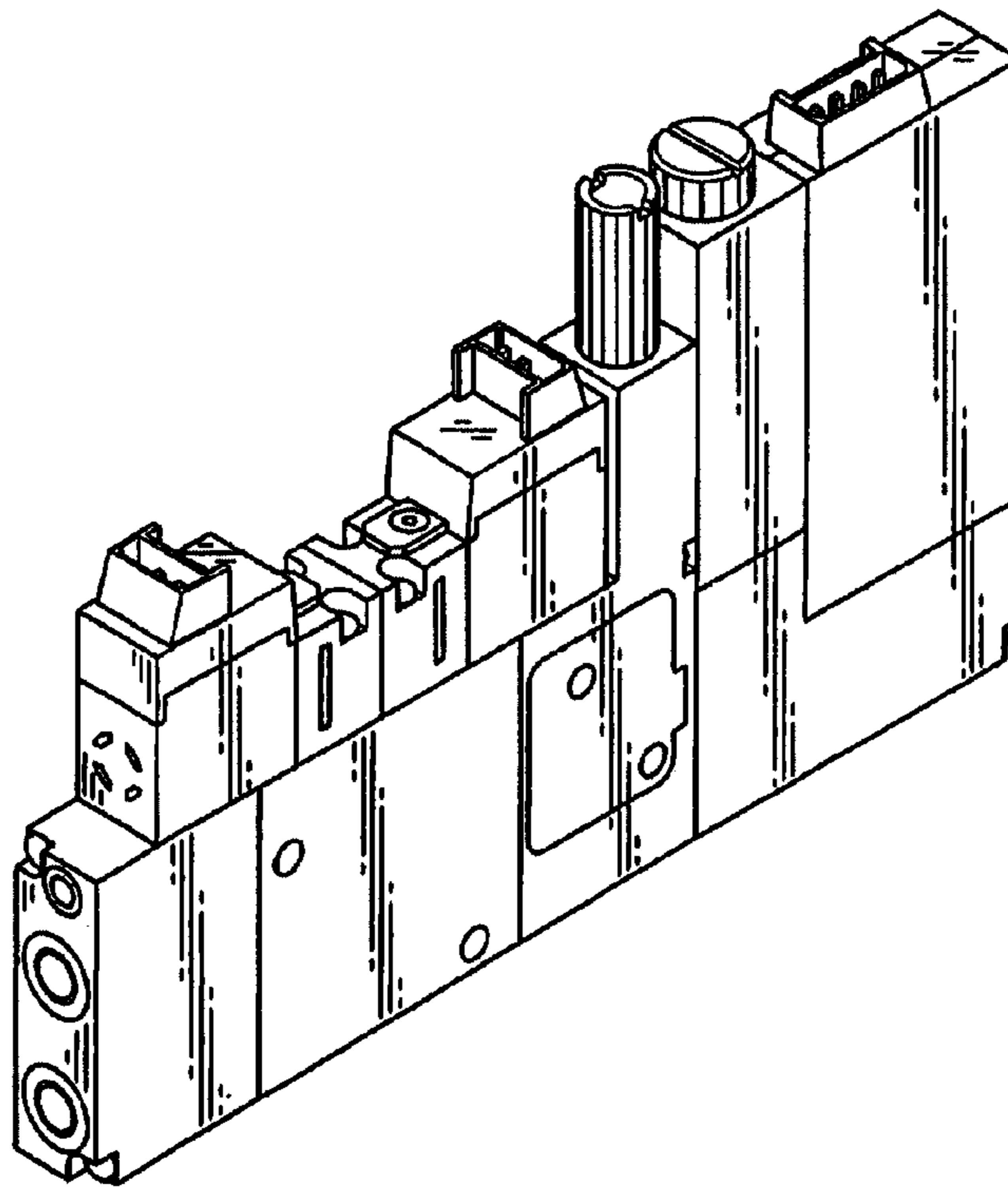
The broken line showing of the environment is for illustrative purposes only and forms no part of the claimed design.

(56) **References Cited**

U.S. PATENT DOCUMENTS

- 4,540,860 A * 9/1985 Odashima et al. 200/83 C
- D313,397 S * 1/1991 Willcox D13/158
- 5,887,623 A * 3/1999 Nagai et al. 137/884
- 6,416,295 B1 * 7/2002 Nagai et al. 417/190
- 2003/0072653 A1 * 4/2003 Cho 417/182
- 2003/0082057 A1 * 5/2003 Cho 417/182
- 2005/0118032 A1 * 6/2005 Nagai et al. 417/182

1 Claim, 5 Drawing Sheets



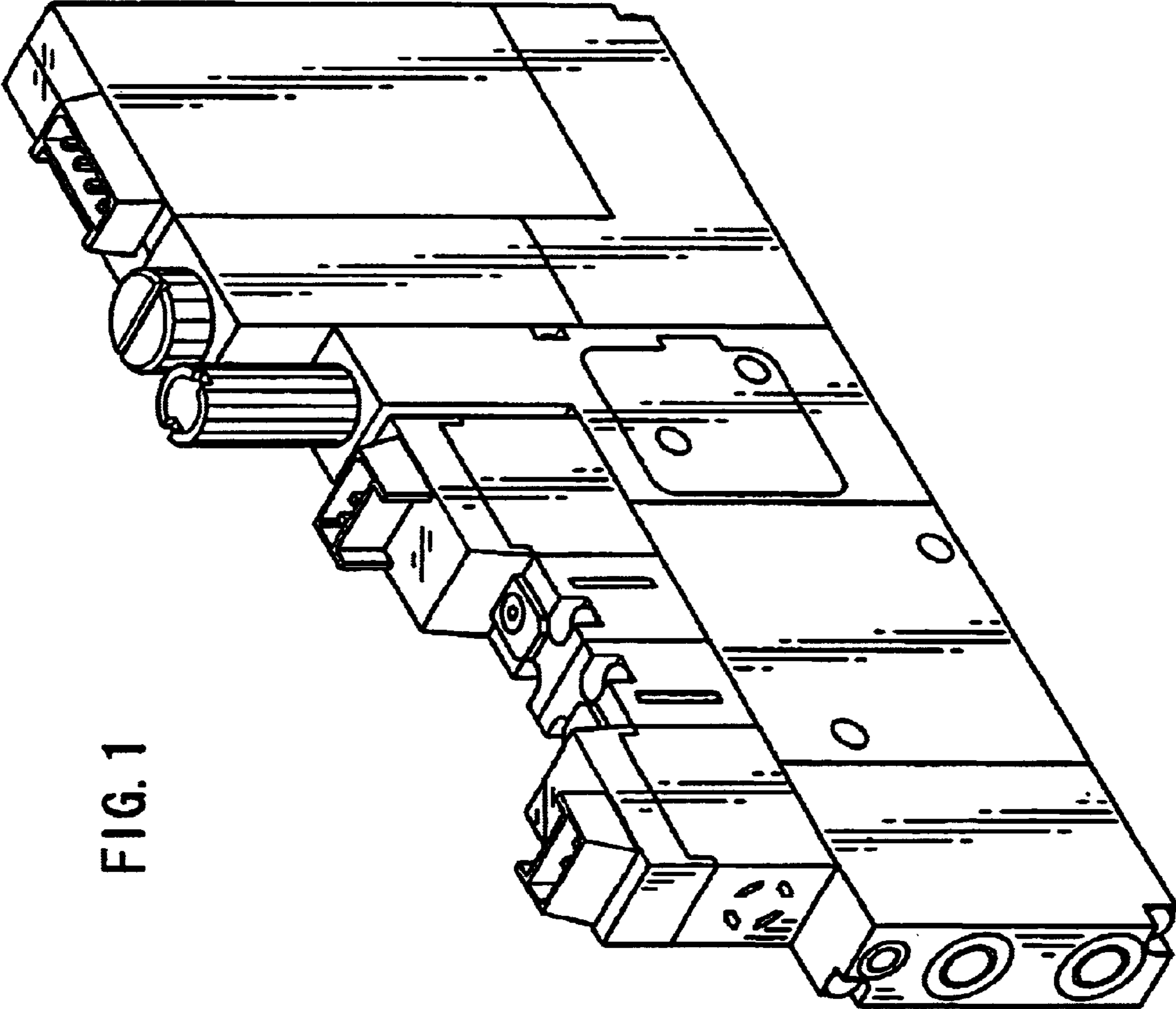


FIG. 1

FIG. 2

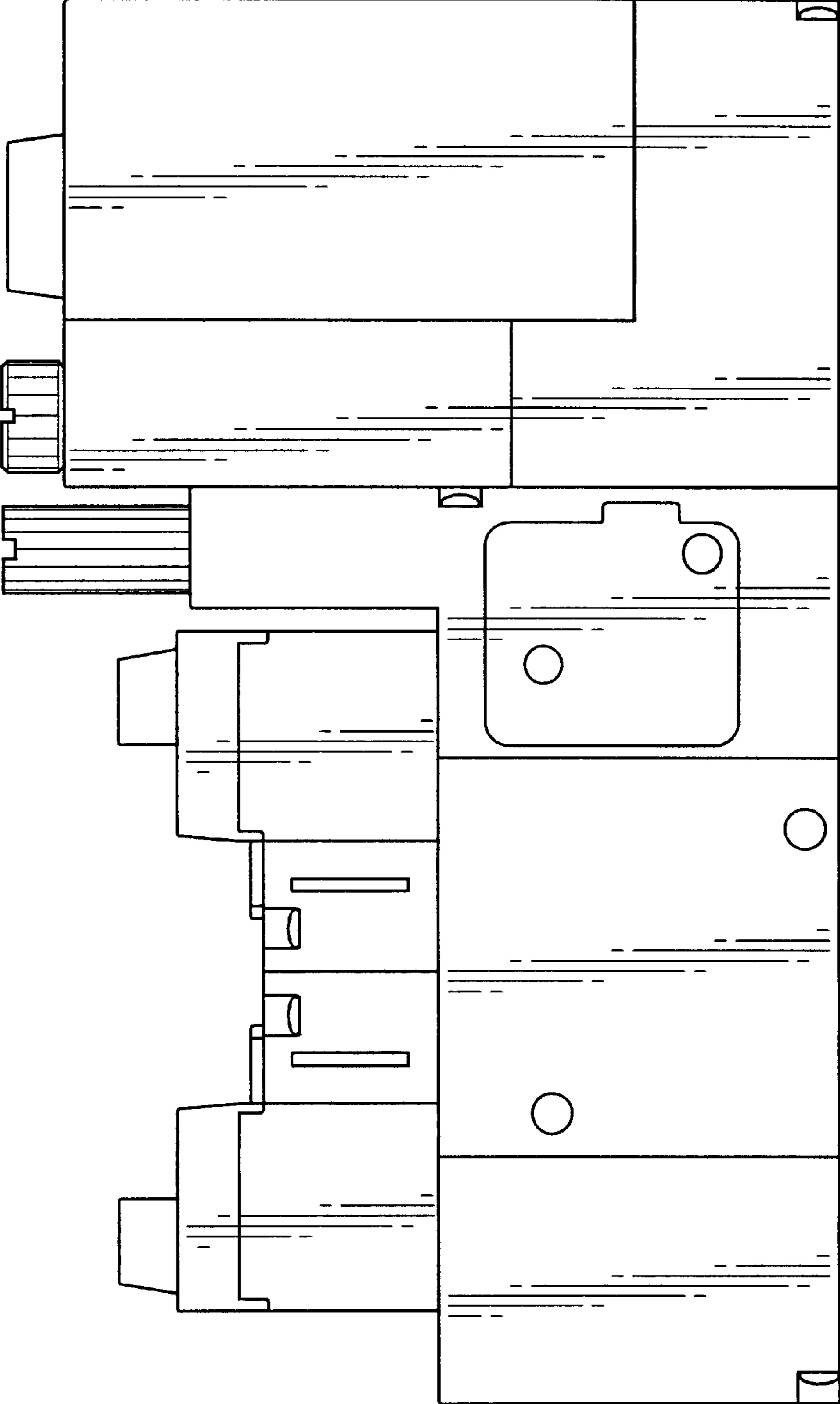


FIG. 3

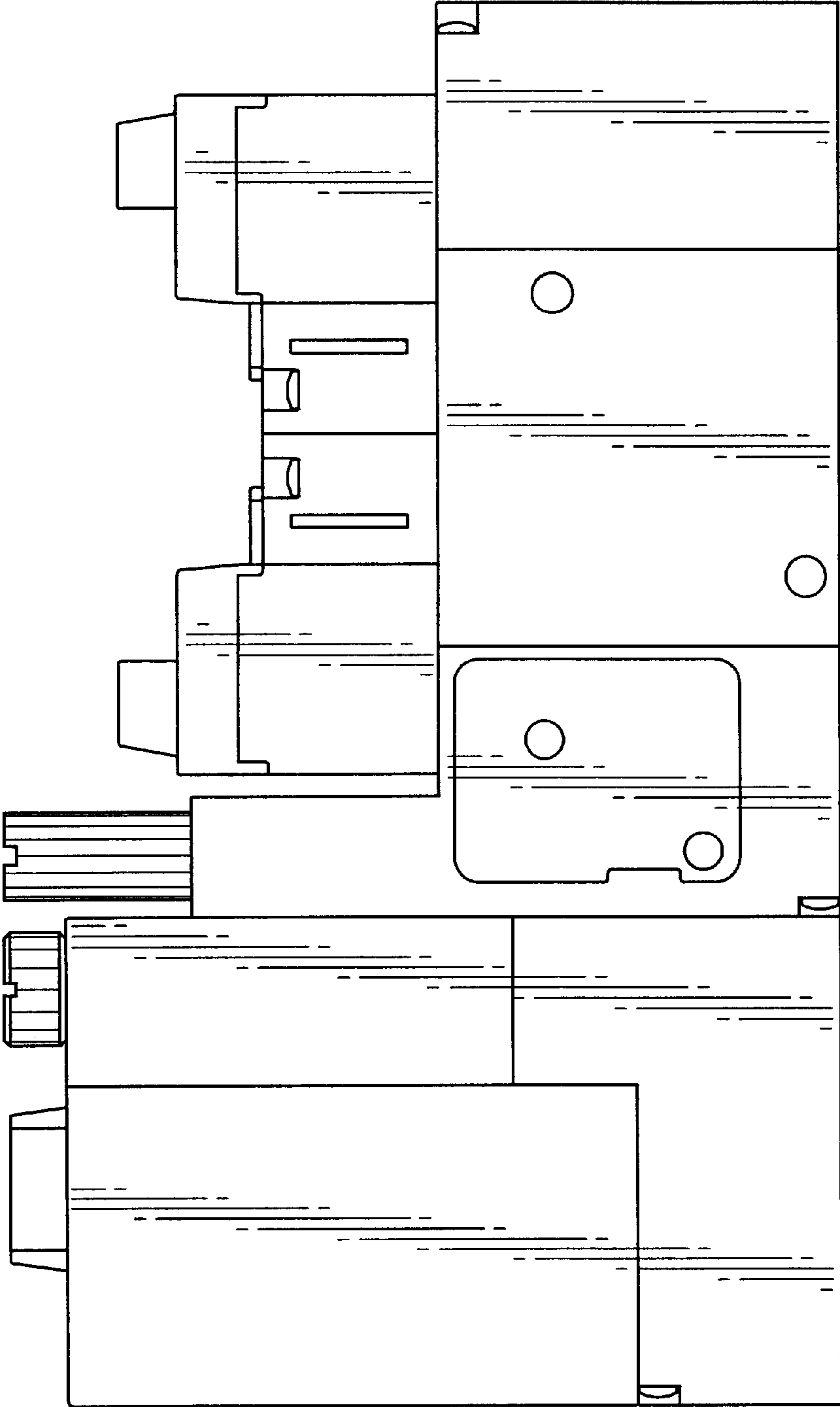


FIG. 4

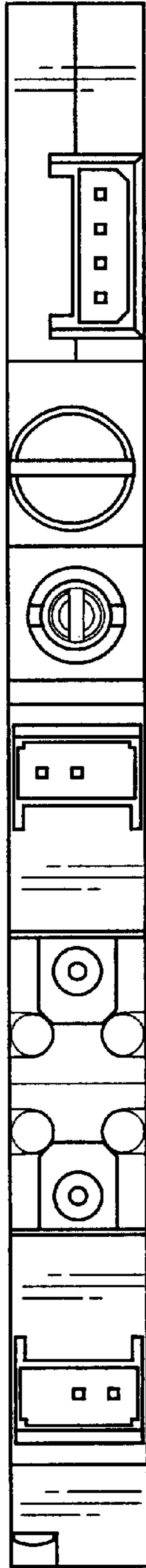


FIG. 5

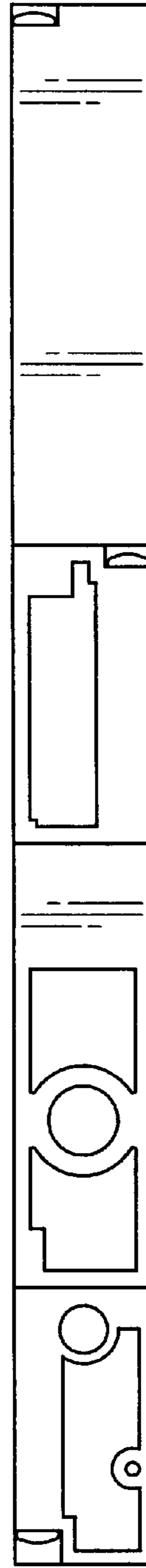


FIG. 6



FIG. 7

