

US00D520959S

(12) **United States Design Patent** (10) **Patent No.:** **US D520,959 S**
Nagai et al. (45) **Date of Patent:** **** May 16, 2006**

(54) **VACUUM SWITCH**

2005/0118032 A1 * 6/2005 Nagai et al. 417/182

(75) Inventors: **Shigekazu Nagai**, Tokyo-to (JP);
Yoshiharu Ito, Toride (JP); **Takashi Toyama**, Moriya (JP)

FOREIGN PATENT DOCUMENTS

JP D 1099463 2/2001

(73) Assignee: **SMC Kabushiki Kaisha**, Tokyo (JP)

OTHER PUBLICATIONS

(**) Term: **14 Years**

U.S. Appl. No. 29/206,740, filed: Jun. 1, 2004: Inventor: S. Nagai, et al; Title: Vacuum Equipment.

(21) Appl. No.: **29/206,739**

U.S. Appl. No. 29/206,741, filed: Jun. 1, 2004: Inventor: S. Nagai, et al; Title: Vacuum Generator.

(22) Filed: **Jun. 1, 2004**

* cited by examiner

(30) **Foreign Application Priority Data**

Primary Examiner—Stella Reid
Assistant Examiner—Selina Sikder

Dec. 1, 2003 (JP) 2003-035697

(74) *Attorney, Agent, or Firm*—Frishauf, Holtz, Goodman & Chick, P.C.

(51) **LOC (8) Cl.** **13-03**

(52) **U.S. Cl.** **D13/158**

(58) **Field of Classification Search** D13/133,
D13/147, 158, 166; 200/19, 25, 81 R, 83 R,
200/5 R, 52 R; 218/118, 143; 417/19, 182,
417/183, 187

See application file for complete search history.

(57) **CLAIM**

The ornamental design for a vacuum switch, as shown.

(56) **References Cited**

U.S. PATENT DOCUMENTS

D206,122 S * 11/1966 Bradbury D13/158
4,339,638 A * 7/1982 Lascelles et al. 200/52 R
4,692,575 A * 9/1987 Eberle 200/82 C
D294,345 S * 2/1988 Troutman et al. D13/158
D399,830 S * 10/1998 Nagai et al. D13/158
D497,145 S * 10/2004 Seo D13/158

DESCRIPTION

FIG. 1 is a top, front and left-side perspective view of a vacuum switch showing our new design;

FIG. 2 is a front view thereof;

FIG. 3 is a rear view thereof;

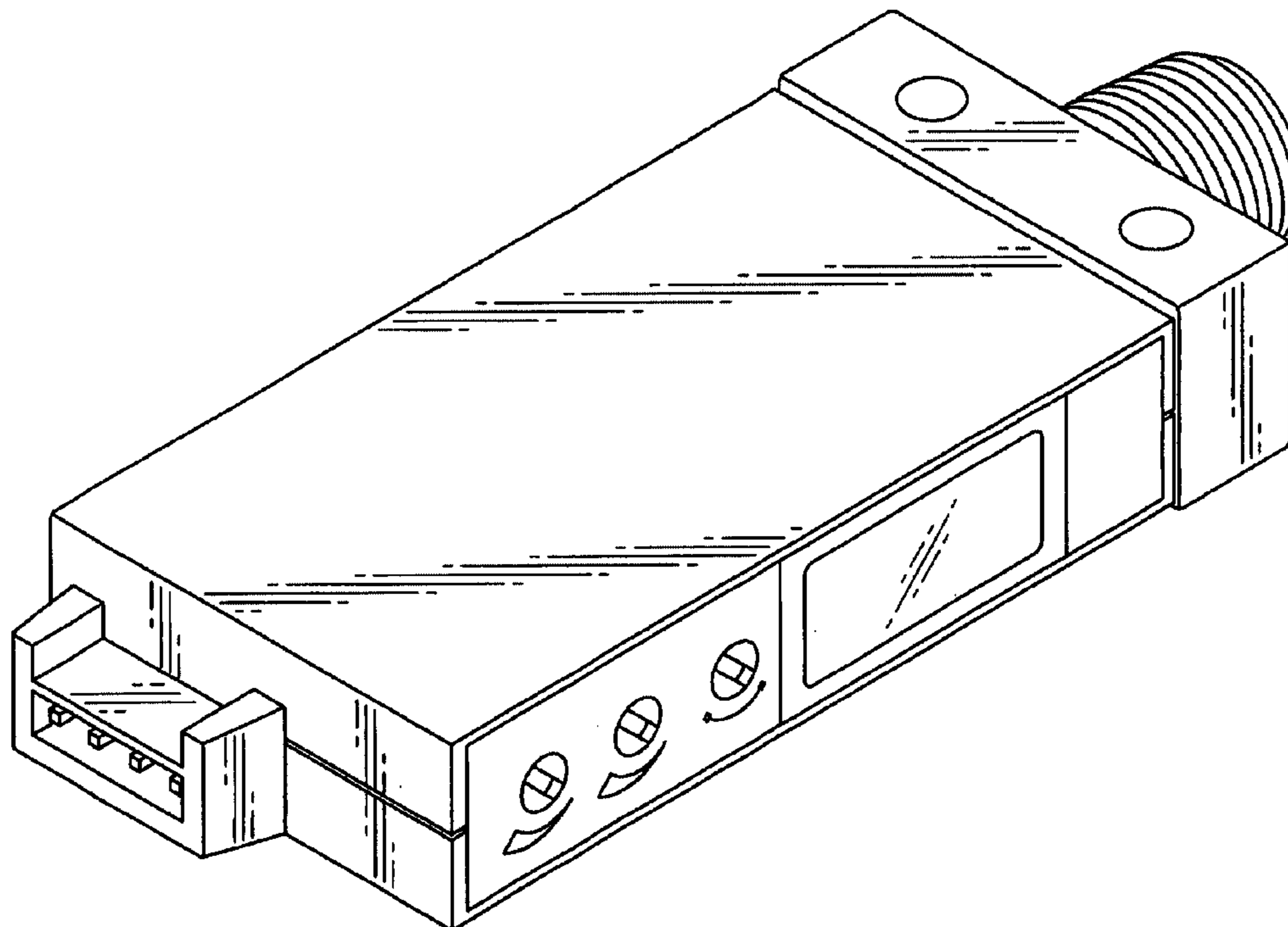
FIG. 4 is a top plan view thereof;

FIG. 5 is a bottom plan view thereof;

FIG. 6 is a right side view thereof; and,

FIG. 7 is a left side view thereof.

1 Claim, 5 Drawing Sheets



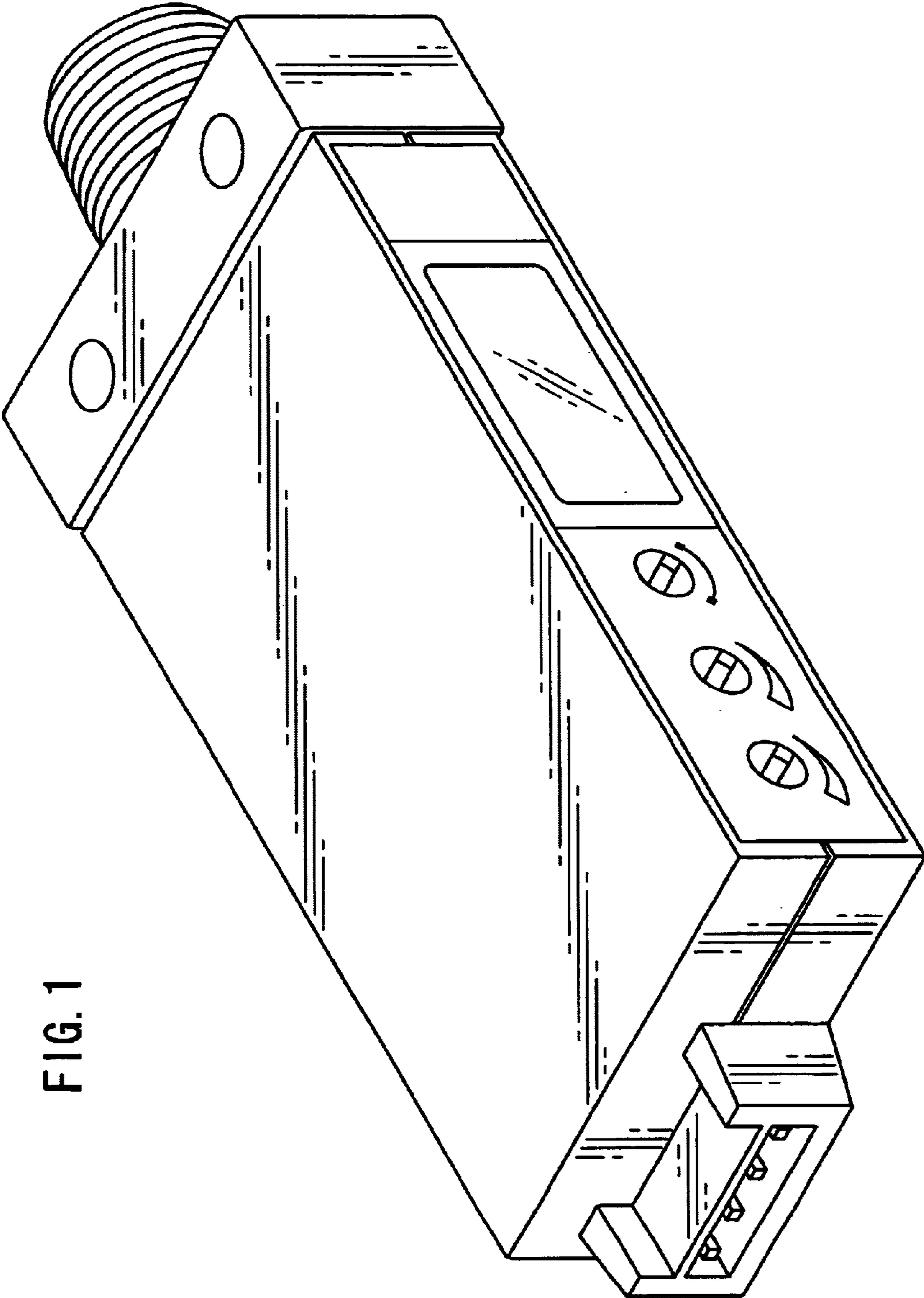


FIG. 1

FIG. 2

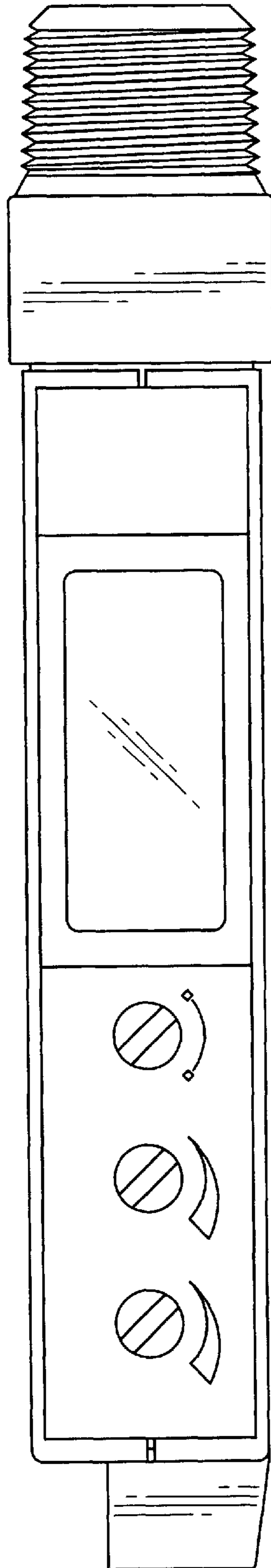


FIG. 3

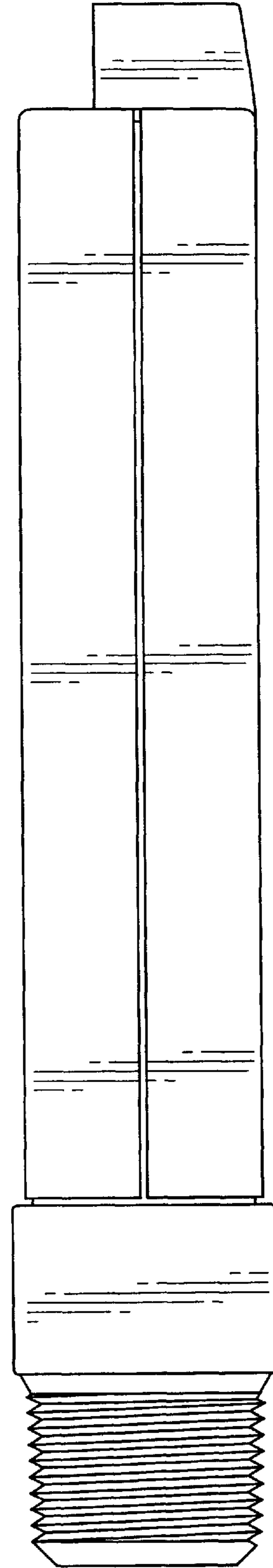


FIG. 4

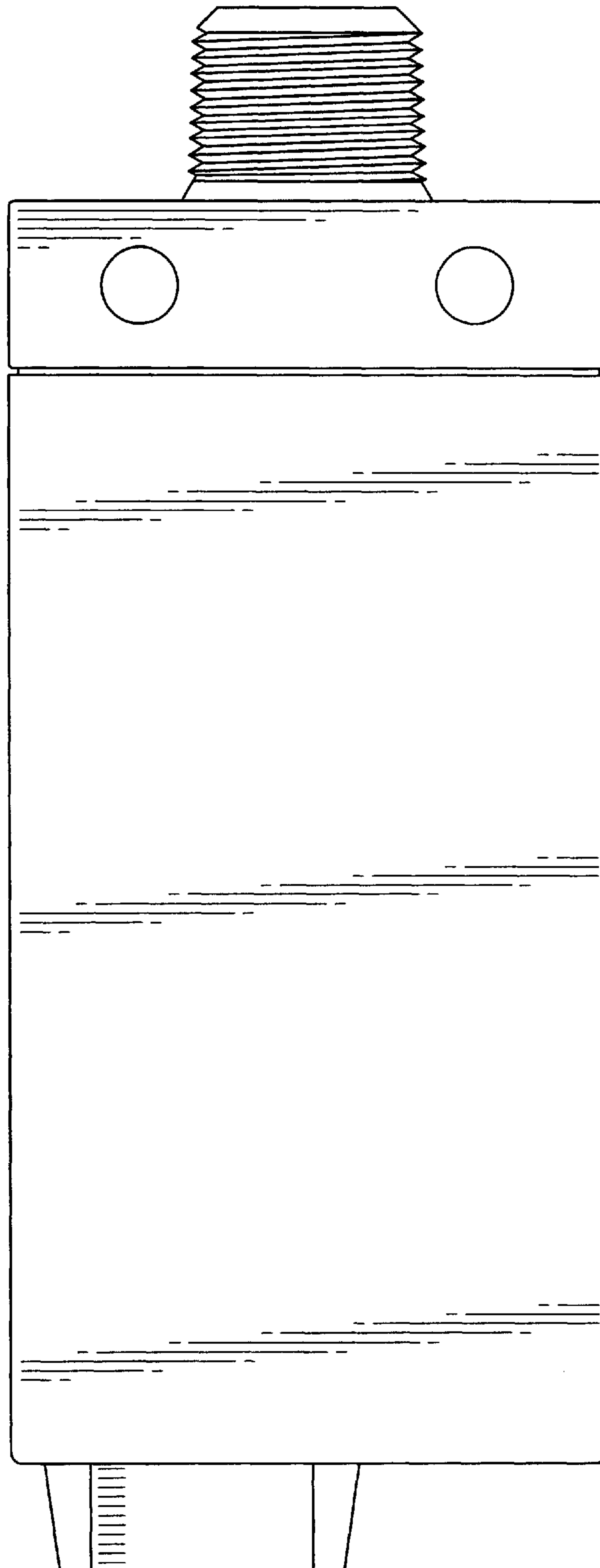


FIG. 5

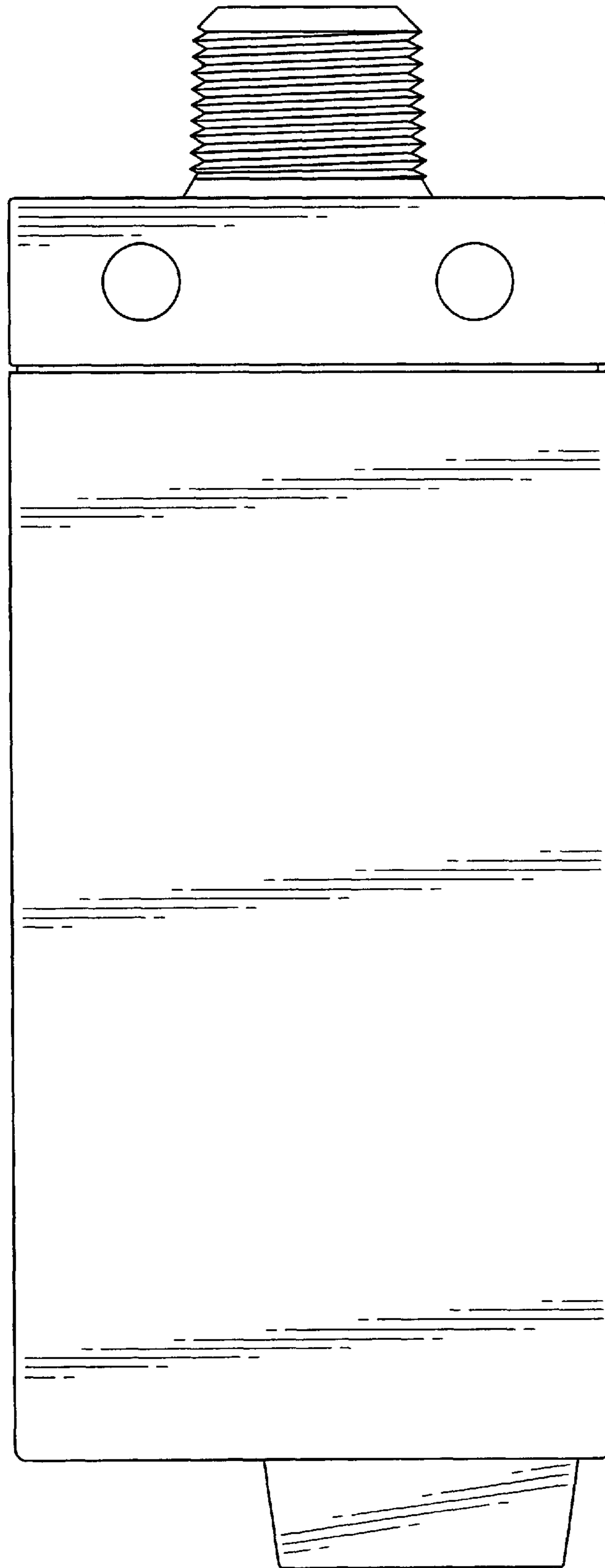


FIG. 6

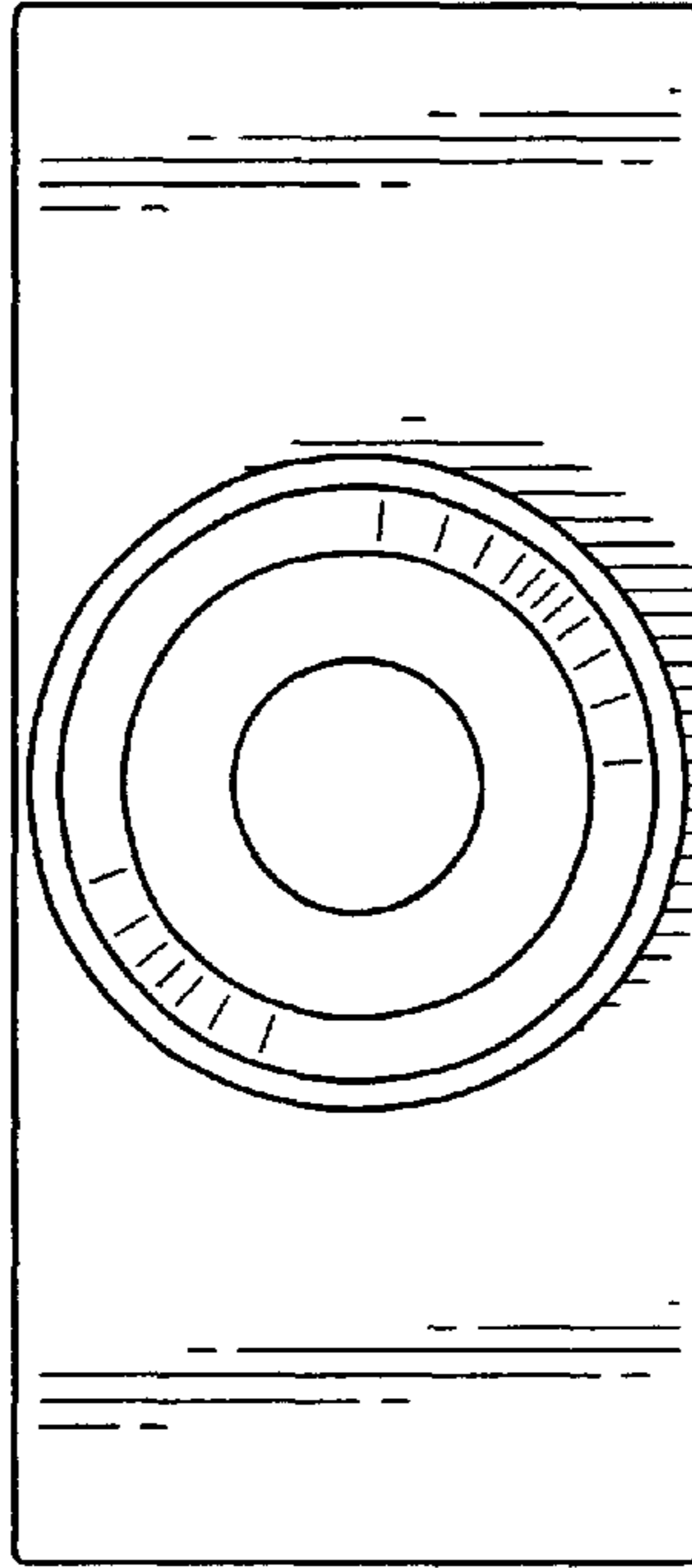


FIG. 7

