



US00D520958S

(12) **United States Design Patent**  
**Yoneyama et al.**

(10) **Patent No.:** **US D520,958 S**

(45) **Date of Patent:** **\*\* May 16, 2006**

(54) **DETECTING SWITCH**

(75) Inventors: **Kazuo Yoneyama**, Kyoto (JP);  
**Tsushima Takada**, Kyoto (JP);  
**Nobumasa Miyaura**, Osaka (JP);  
**Hirohumi Koizumi**, Osaka (JP)

(73) Assignee: **Hosiden Corporation**, Osaka (JP)

(\*\*) Term: **14 Years**

(21) Appl. No.: **29/185,100**

(22) Filed: **Jun. 23, 2003**

(30) **Foreign Application Priority Data**

Dec. 27, 2002 (JP) ..... 2002-037210

(51) **LOC (8) Cl.** ..... **13-03**

(52) **U.S. Cl.** ..... **D13/158; D13/169**

(58) **Field of Classification Search** ..... D13/133,  
D13/147, 158, 169; 367/105; 439/188, 489  
See application file for complete search history.

(56) **References Cited**

**U.S. PATENT DOCUMENTS**

5,693,924 A \* 12/1997 Fetterolf et al. .... 200/51.1

D450,304 S \* 11/2001 Daniels et al. .... D13/158  
6,431,893 B1 \* 8/2002 Chang et al. .... 439/188  
6,488,528 B1 \* 12/2002 Nishioka ..... 439/489  
D481,360 S \* 10/2003 Kuroki et al. .... D13/147  
6,899,557 B1 \* 5/2005 Hirata ..... 439/188

\* cited by examiner

*Primary Examiner*—Stella Reid

*Assistant Examiner*—Selina Sikder

(74) *Attorney, Agent, or Firm*—Akin Gump Strauss Hauer  
& Feld, LLP

(57) **CLAIM**

The ornamental design for a detecting switch, as shown and described.

**DESCRIPTION**

FIG. 1 is a top perspective view of an detecting switch;  
FIG. 2 is a front elevational view thereof;  
FIG. 3 is a top plan view thereof;  
FIG. 4 is a rear elevational view thereof;  
FIG. 5 is a bottom plan view thereof;  
FIG. 6 is a left side elevational view thereof; and,  
FIG. 7 is a right side elevational view thereof.

**1 Claim, 2 Drawing Sheets**

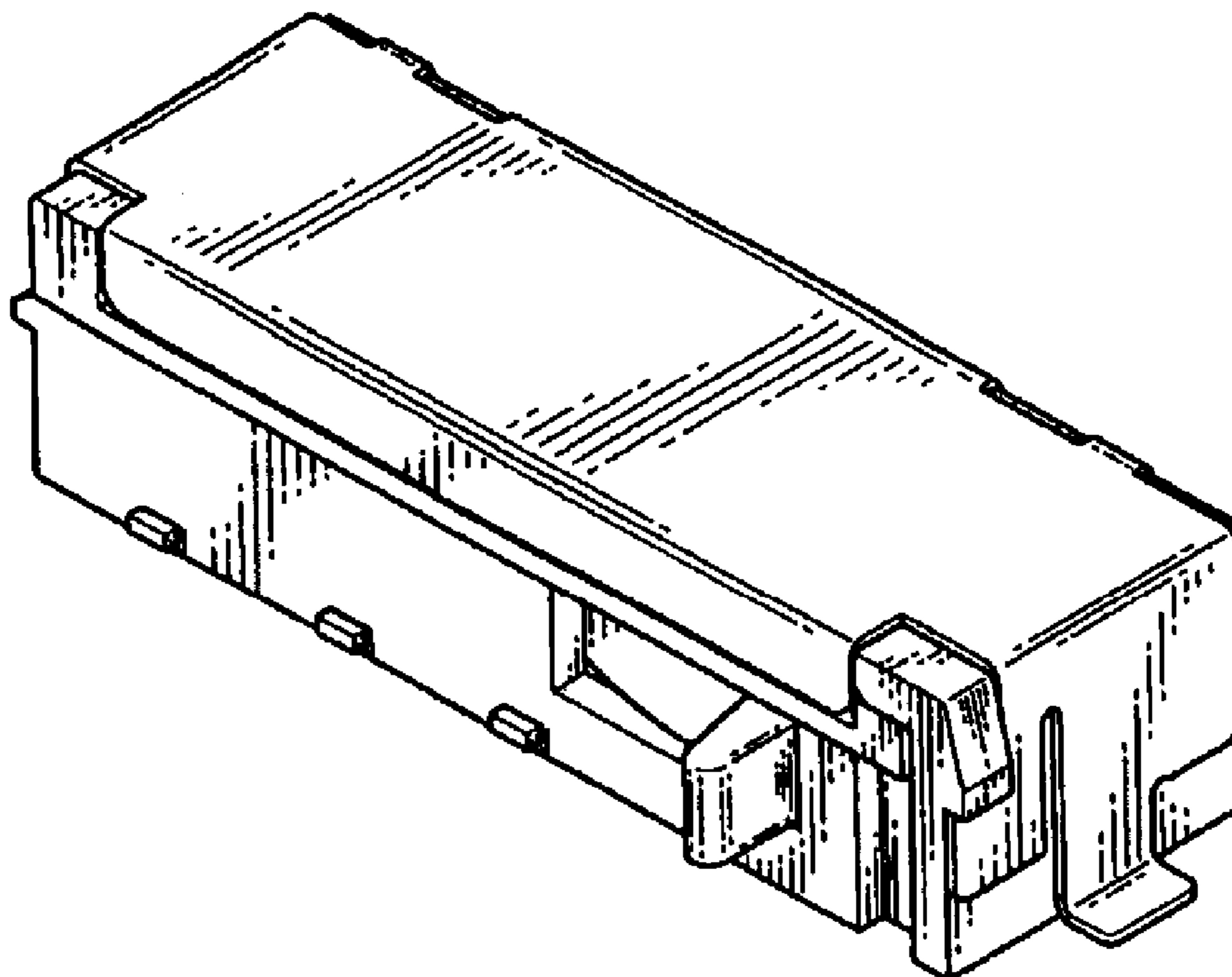


Fig. 1

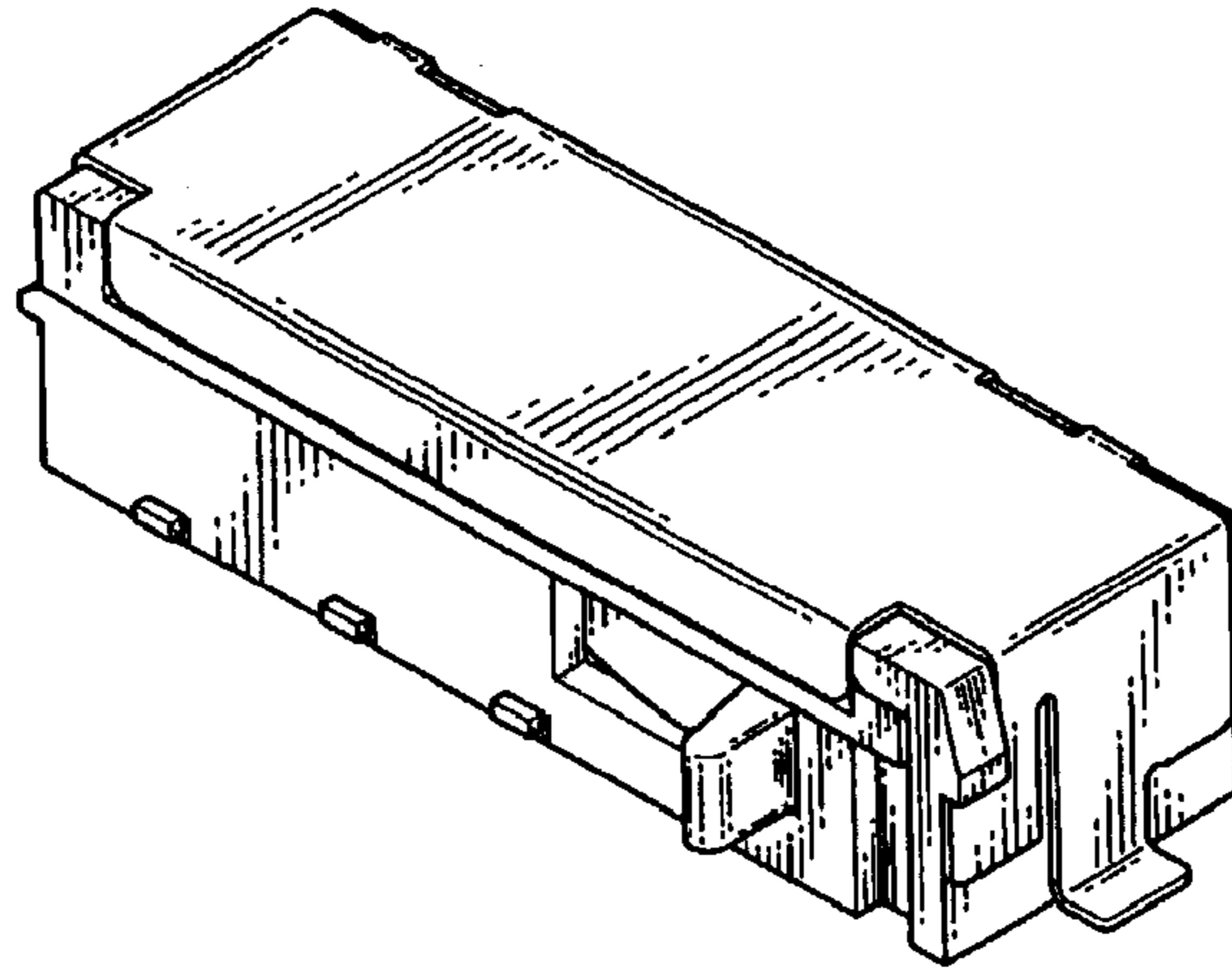


Fig. 2

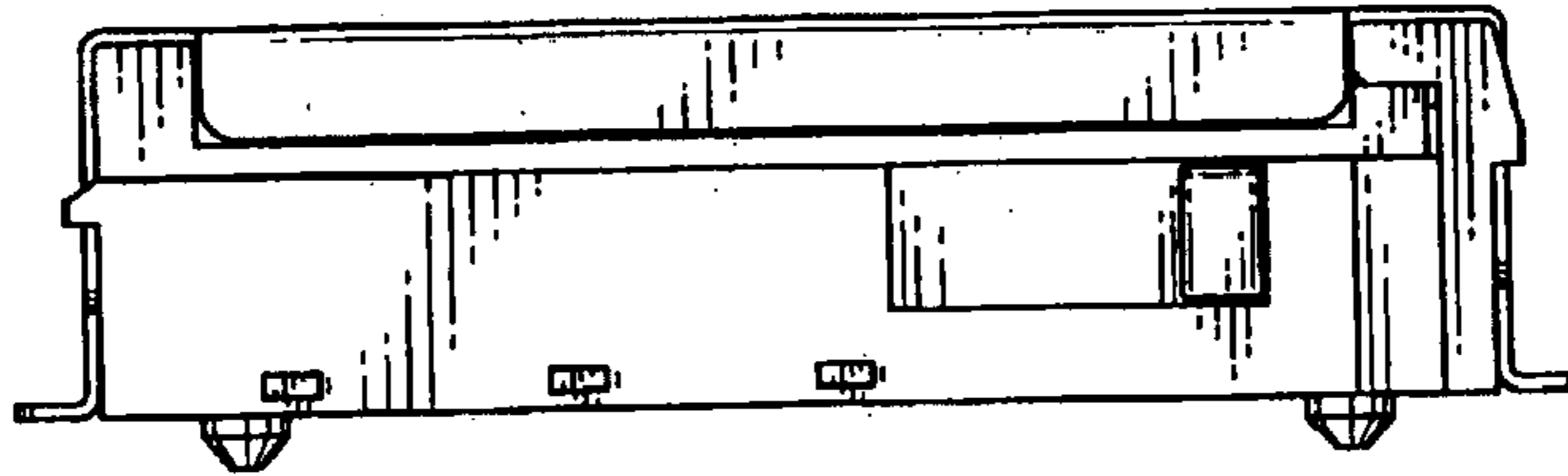


Fig. 3

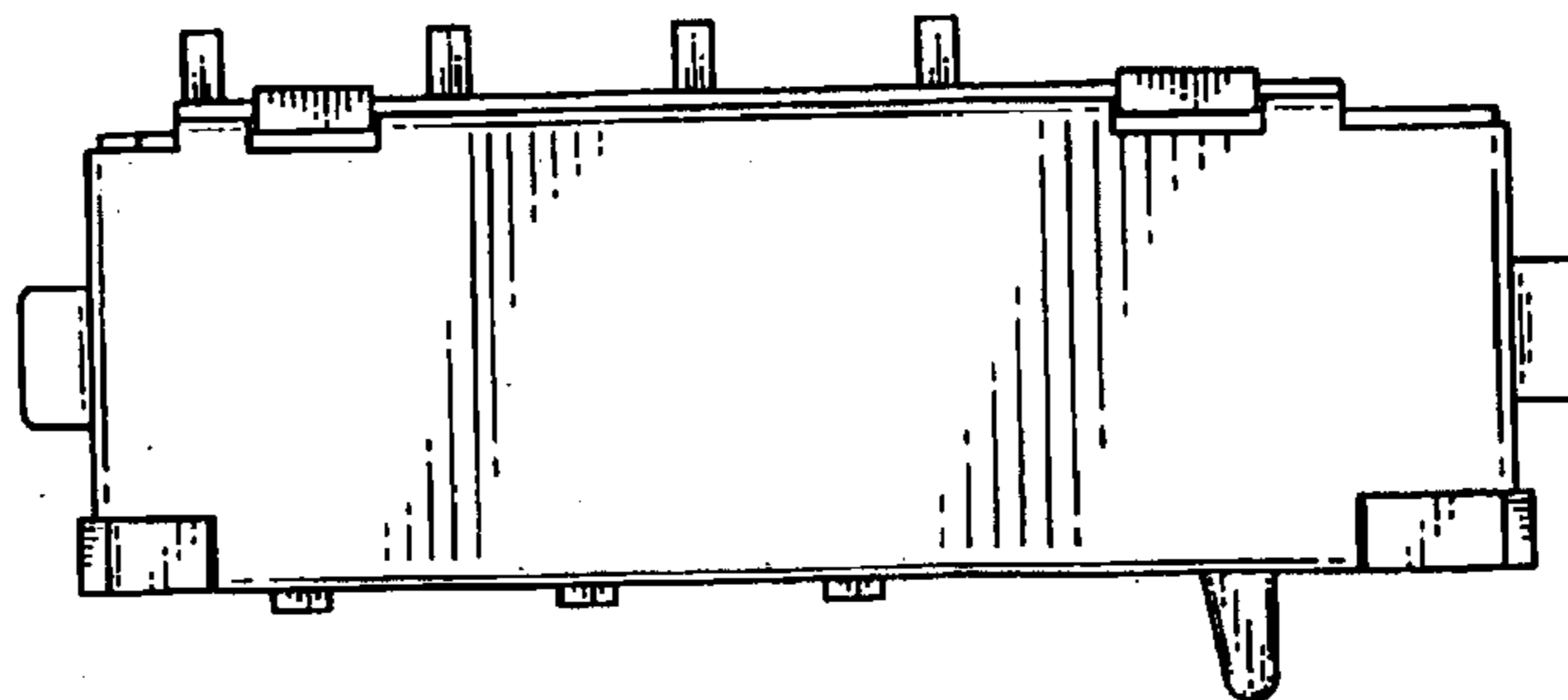


Fig. 4



Fig. 5

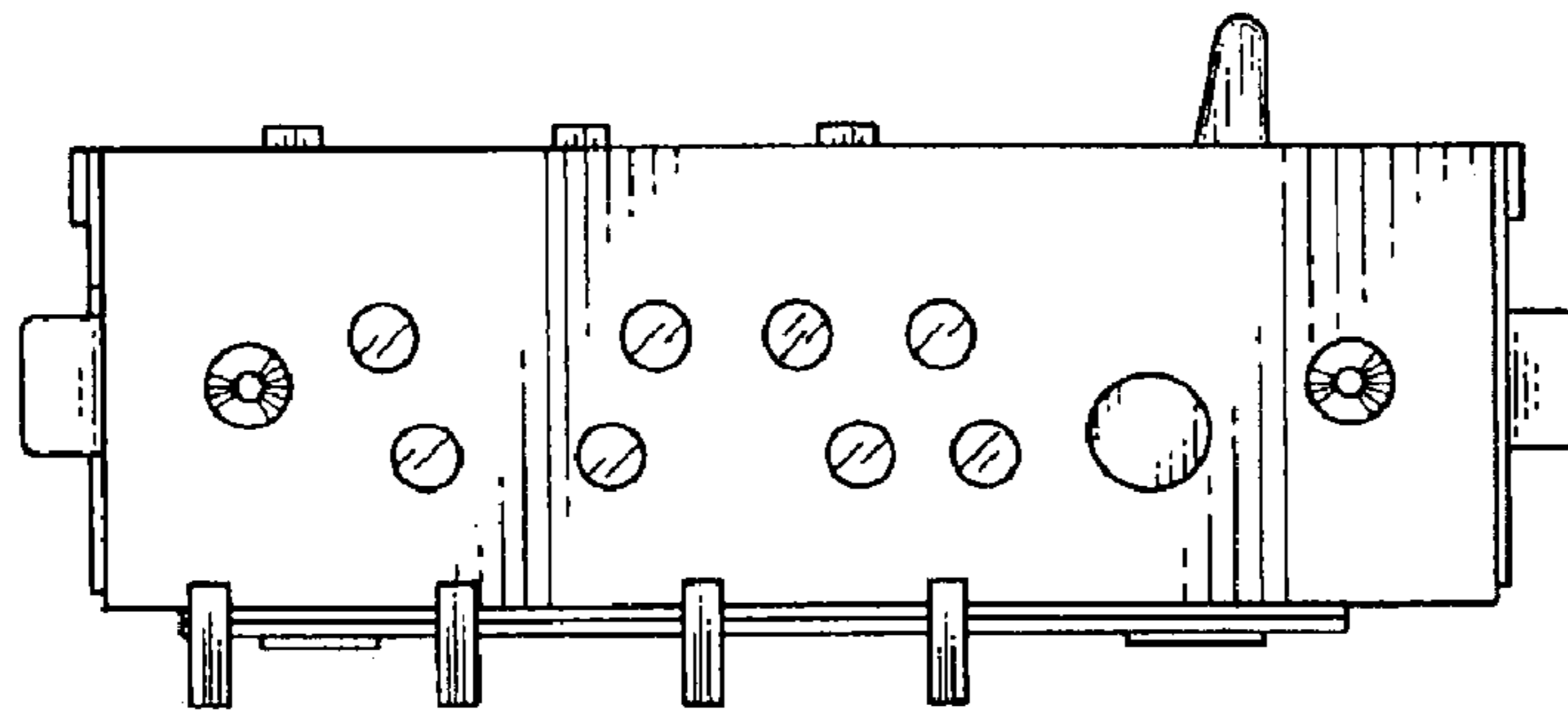


Fig. 6

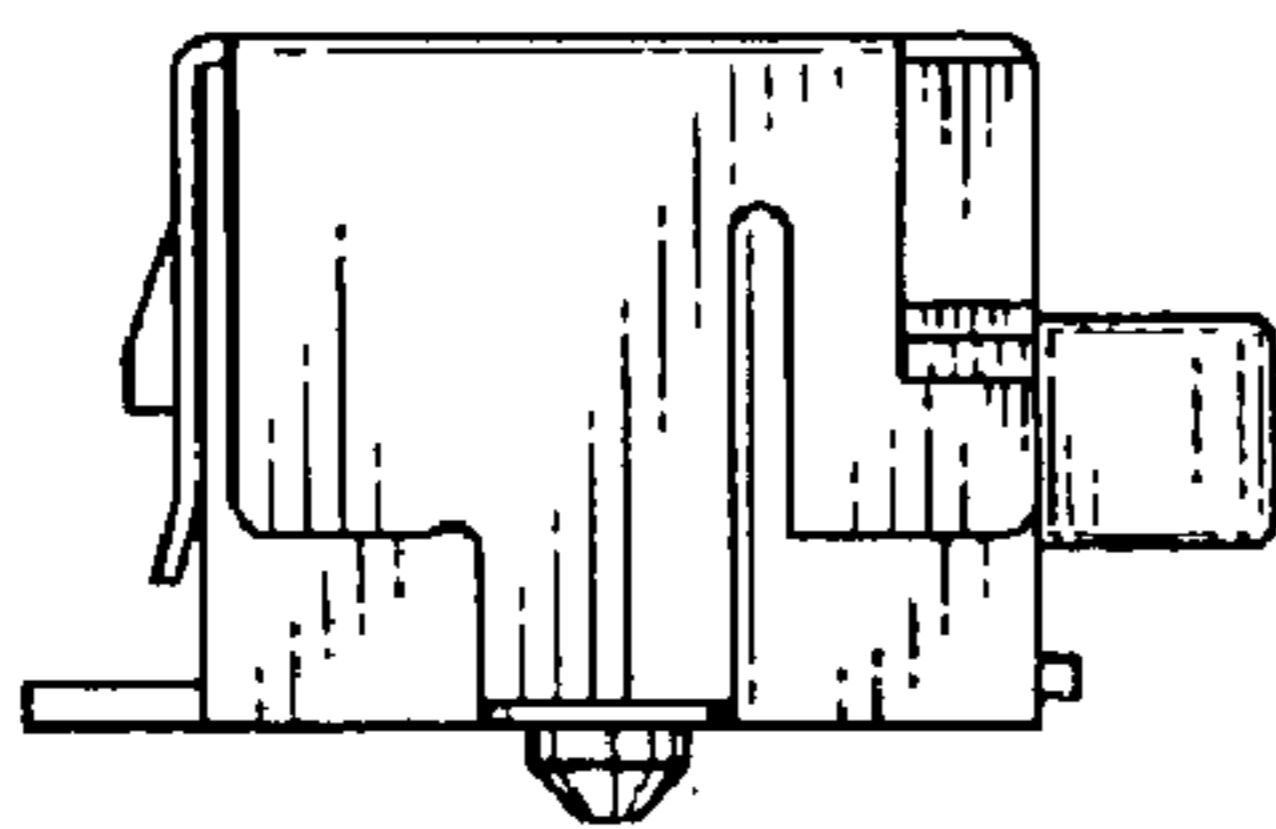


Fig. 7

