



US00D520957S

(12) **United States Design Patent**
Chang et al.

(10) **Patent No.:** **US D520,957 S**

(45) **Date of Patent:** **** May 16, 2006**

(54) **ELECTRICAL CONNECTOR**

(75) Inventors: **Wei-Cheng Chang**, Tu-Cheng (TW);
Hsueh-Lung Hsiao, Tu-Cheng (TW)

(73) Assignee: **Hon Hai Precision Ind. Co., Ltd.**,
Taipei Hsien (TW)

(**) Term: **14 Years**

(21) Appl. No.: **29/233,192**

(22) Filed: **Jun. 28, 2005**

(30) **Foreign Application Priority Data**

Apr. 29, 2005 (TW) 94302503

(51) **LOC (8) Cl.** **13-03**

(52) **U.S. Cl.** **D13/147**

(58) **Field of Classification Search** D13/133,
D13/146-147, 154, 184, 199; D14/432-433,
D14/435; 439/108, 607-610, 626, 629-630,
439/636, 638

See application file for complete search history.

(56) **References Cited**

U.S. PATENT DOCUMENTS

D410,628 S * 6/1999 Wu D13/147
D416,541 S * 11/1999 Hirai et al. D13/147

D434,386 S * 11/2000 Wu D13/147
6,390,836 B1 * 5/2002 Motegi et al. 439/159
D488,815 S * 4/2004 Hashimoto et al. D14/433
6,716,066 B1 * 4/2004 Kuo 439/630
D499,731 S * 12/2004 Fan D14/433
6,835,100 B1 * 12/2004 Chen 439/630
2003/0070024 A1 * 4/2003 Su et al. 710/300
2005/0130498 A1 * 6/2005 Fan 439/630

* cited by examiner

Primary Examiner—Stella Reid

Assistant Examiner—Daniel Bui

(74) *Attorney, Agent, or Firm*—Wei Te Chung

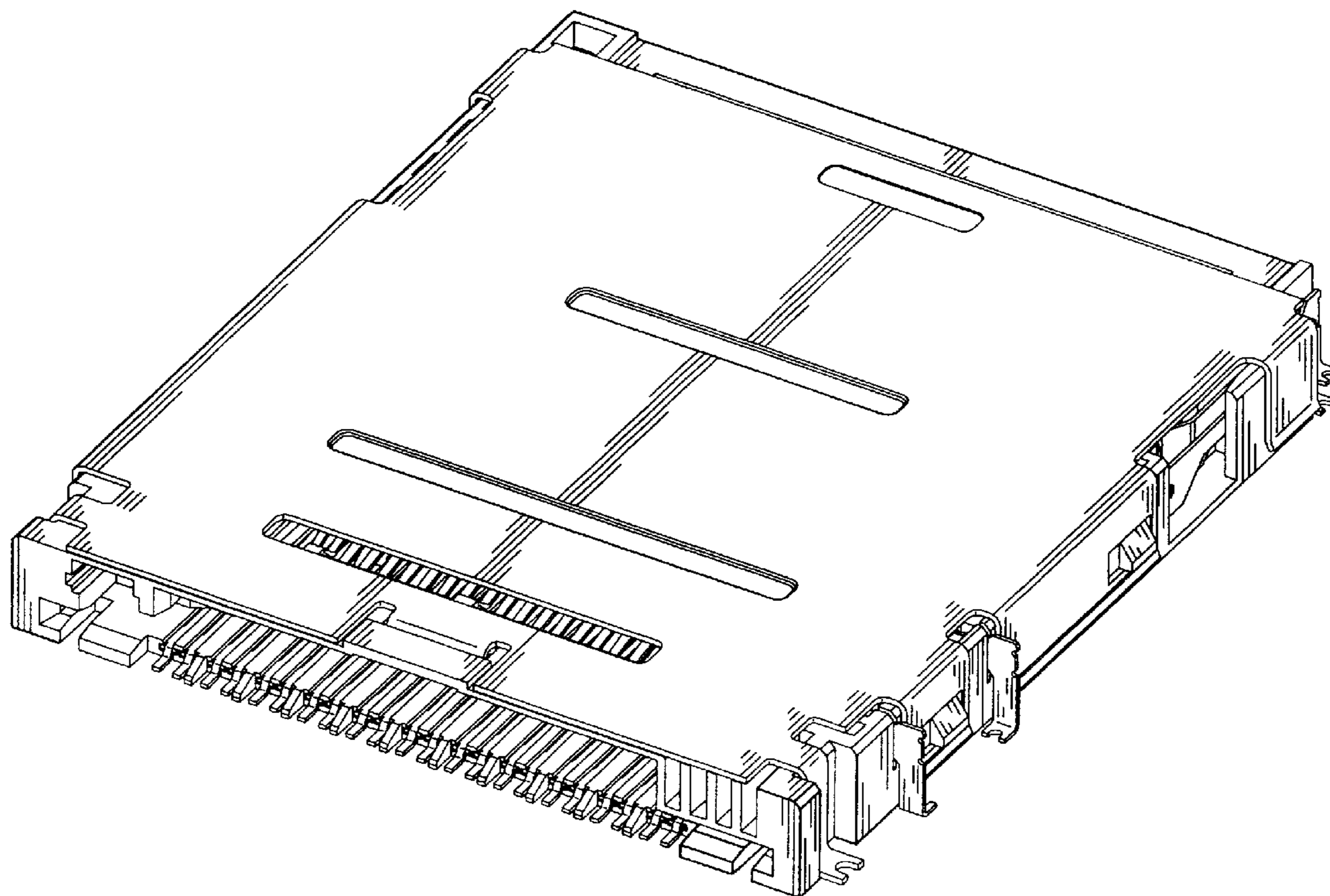
(57) **CLAIM**

The ornamental design for an electrical connector, as shown and described.

DESCRIPTION

FIG. 1 is a front, top and right side perspective view of an electrical connector showing our new design; FIG. 2 is a front elevational view thereof; FIG. 3 is a rear elevational view thereof; FIG. 4 is a left side elevational view thereof; FIG. 5 is a right side elevational view thereof; FIG. 6 is a top plan view thereof; and, FIG. 7 is a bottom plan view thereof.

1 Claim, 7 Drawing Sheets



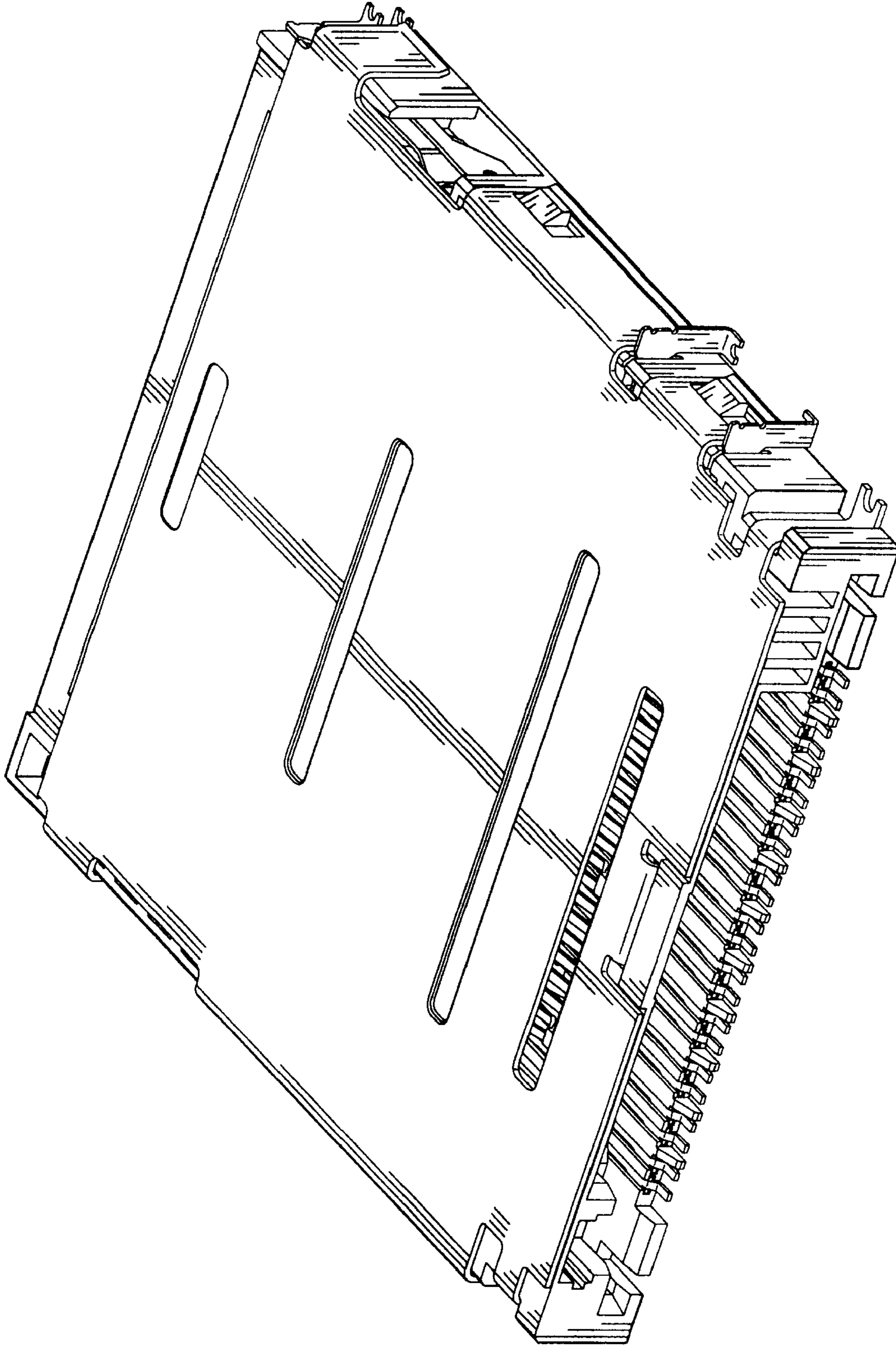


FIG. 1

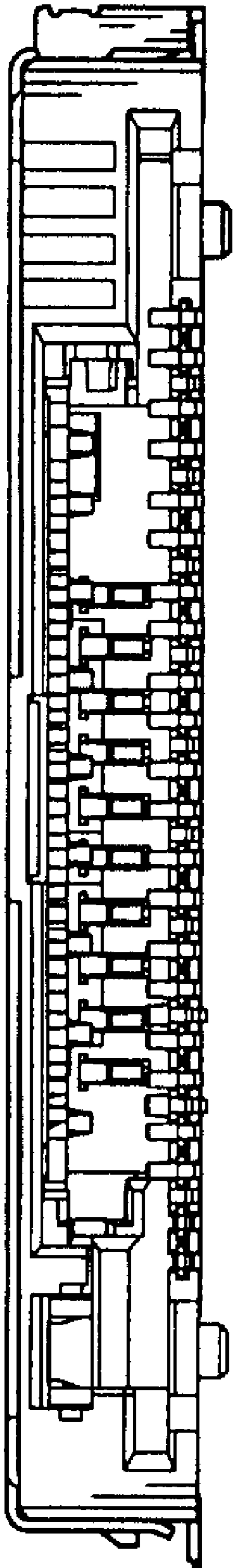


FIG. 2

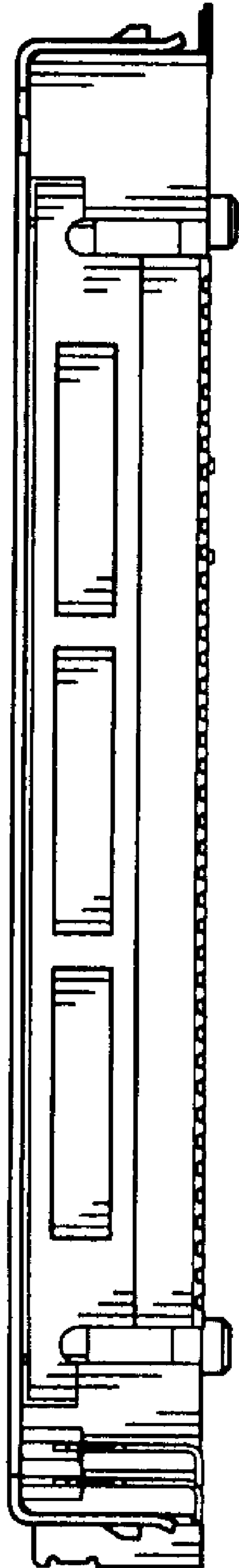


FIG. 3

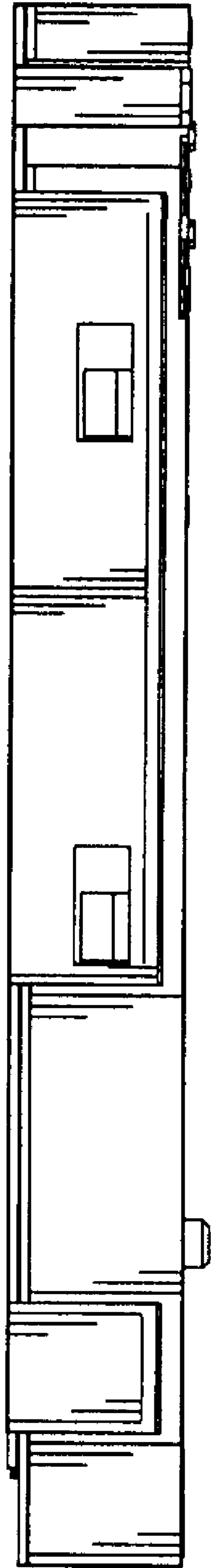


FIG. 4

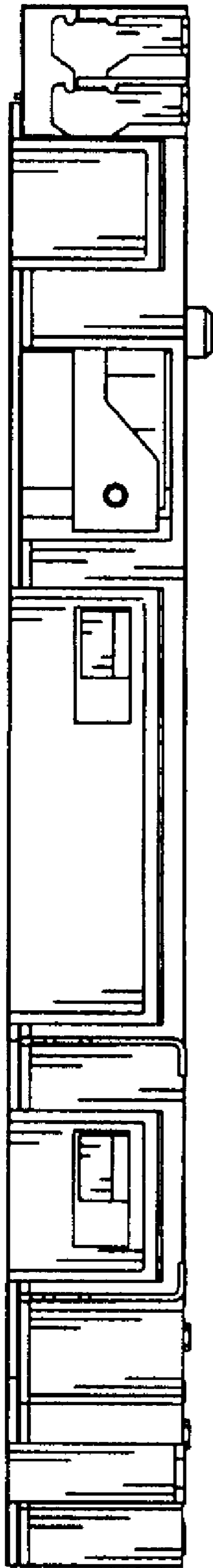


FIG. 5

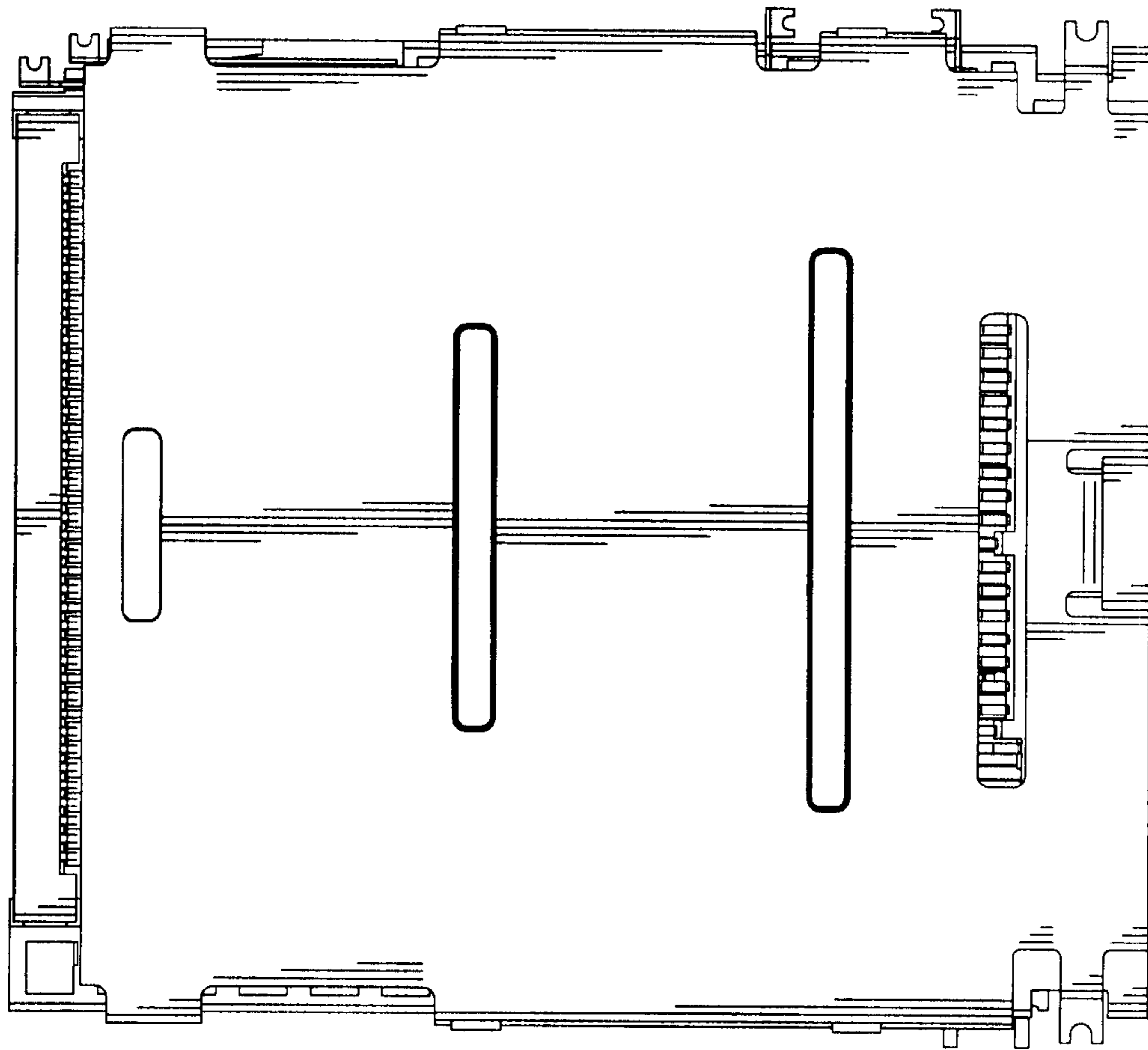


FIG. 6

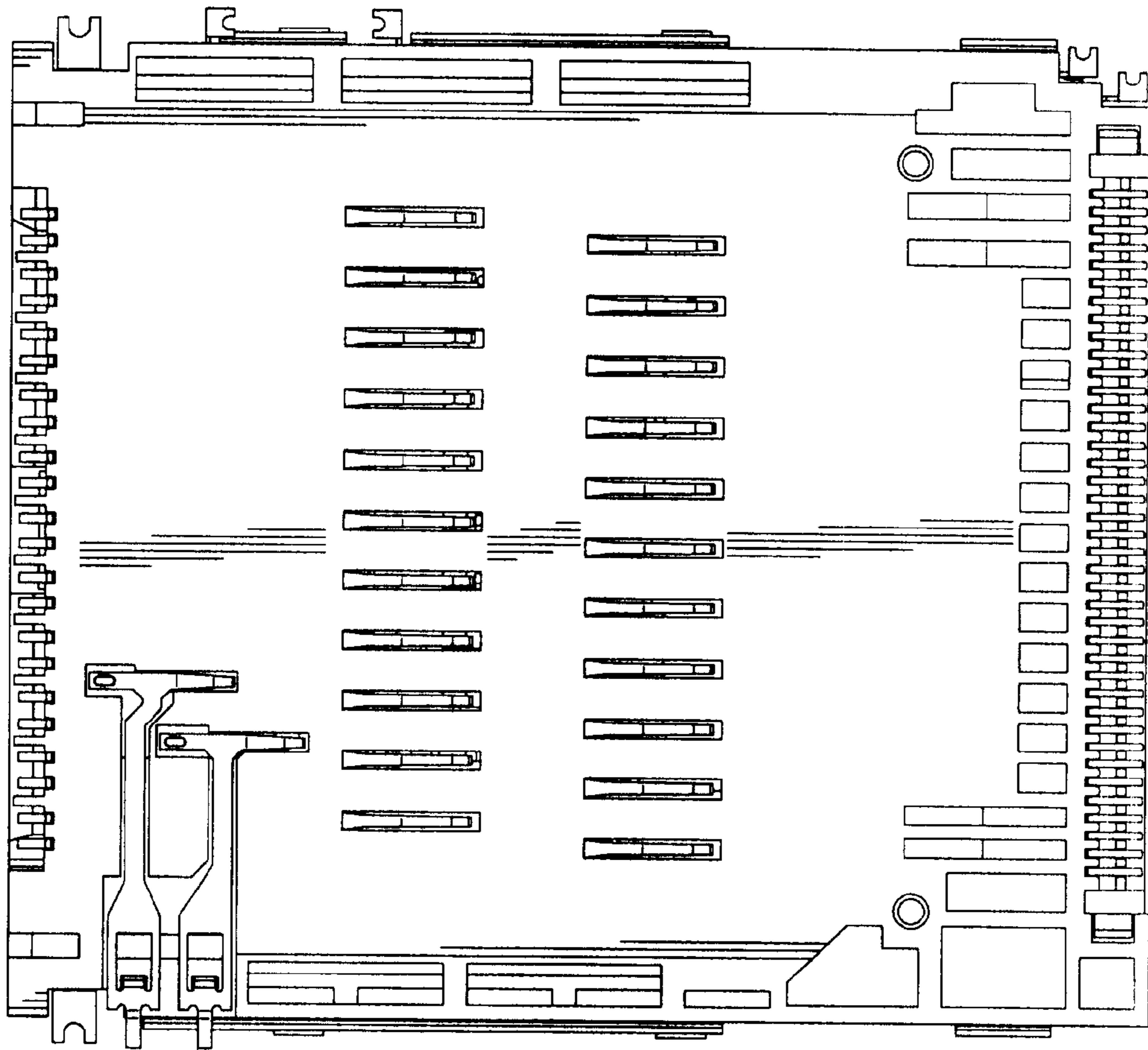


FIG. 7