

US00D520955S

(12) **United States Design Patent**
Huang

(10) **Patent No.:** **US D520,955 S**

(45) **Date of Patent:** **** May 16, 2006**

(54) **LATCH TYPE HIGH DEFINITION
MULTIMEDIA INTERFACE CONNECTOR
SOCKET**

D416,230 S * 11/1999 Narumo et al. D13/147
6,099,339 A * 8/2000 Yanagida et al. 439/358
D447,467 S * 9/2001 Hisada et al. D13/147
D496,632 S * 9/2004 David et al. D13/147

(75) Inventor: **Yale Huang**, Tu-Cheng (CN)

* cited by examiner

(73) Assignee: **Joinsoon Electronics Mfg. Co., Ltd.**,
Taipei Hsien (TW)

Primary Examiner—Stella Reid
Assistant Examiner—Daniel Bui

(**) Term: **14 Years**

(74) *Attorney, Agent, or Firm*—Rosenberg, Klein & Lee

(21) Appl. No.: **29/216,741**

(57) **CLAIM**

(22) Filed: **Nov. 9, 2004**

The ornamental design for a latch type high definition multimedia interface connector socket, as shown and described.

(51) **LOC (8) Cl.** **13-03**

(52) **U.S. Cl.** **D13/147**

(58) **Field of Classification Search** D13/133,
D13/146, 147, 153–154, 184, 199; 439/353,
439/357–358, 362, 372, 558, 606–610, 731
See application file for complete search history.

DESCRIPTION

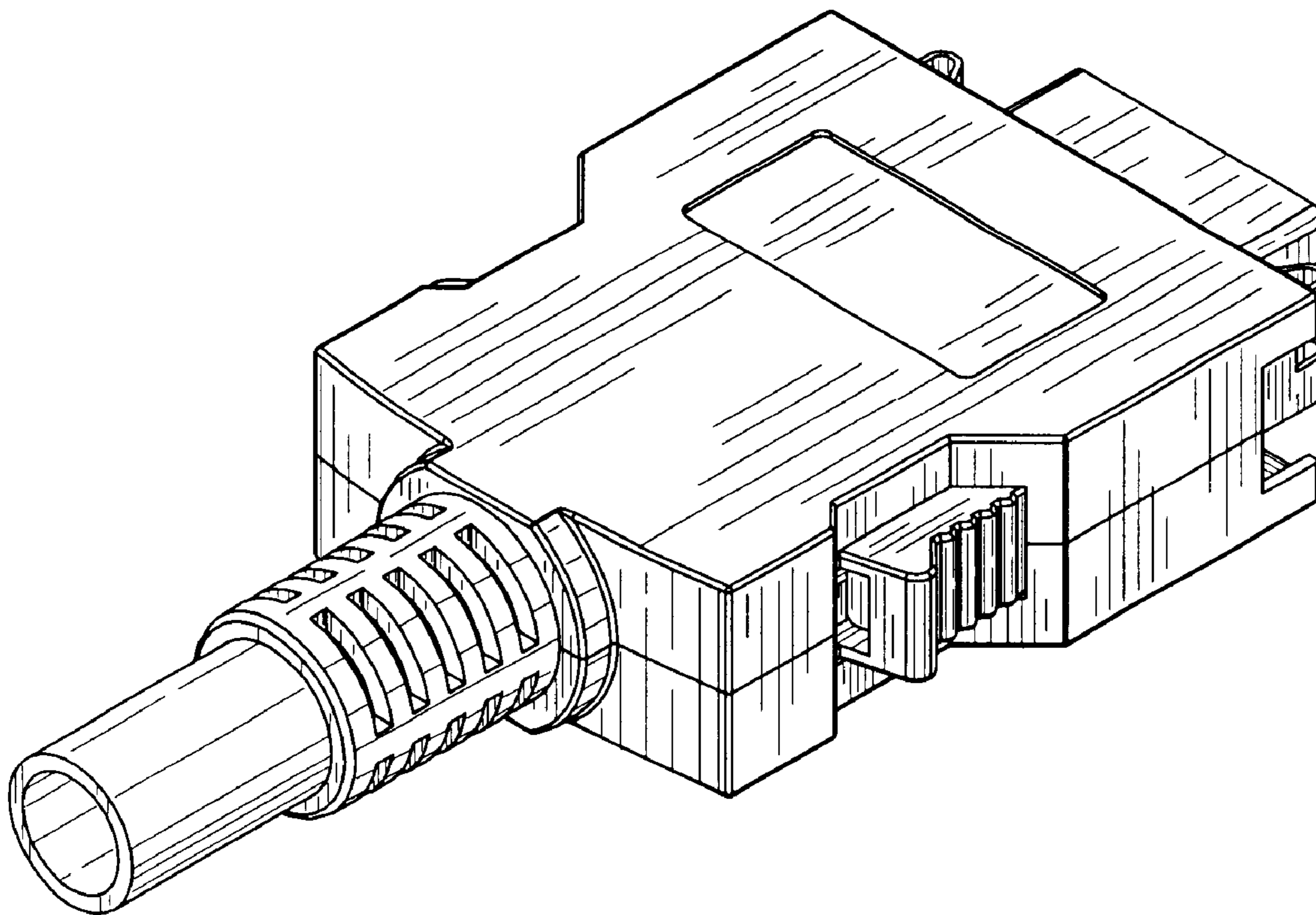
FIG. 1 is a top, rear and left side perspective view of a latch type high definition multimedia interface connector socket showing my new design;
FIG. 2 is a front elevational view thereof;
FIG. 3 is a rear elevational view thereof;
FIG. 4 is a top plan view thereof;
FIG. 5 is a bottom plan view thereof;
FIG. 6 is a left side elevational view thereof; and,
FIG. 7 is a right side elevational view thereof.

(56) **References Cited**

U.S. PATENT DOCUMENTS

D369,346 S * 4/1996 Tan D13/133
5,716,228 A * 2/1998 Chen 439/358
D409,982 S * 5/1999 Sato et al. D13/147
D412,154 S * 7/1999 Lok D13/147

1 Claim, 5 Drawing Sheets



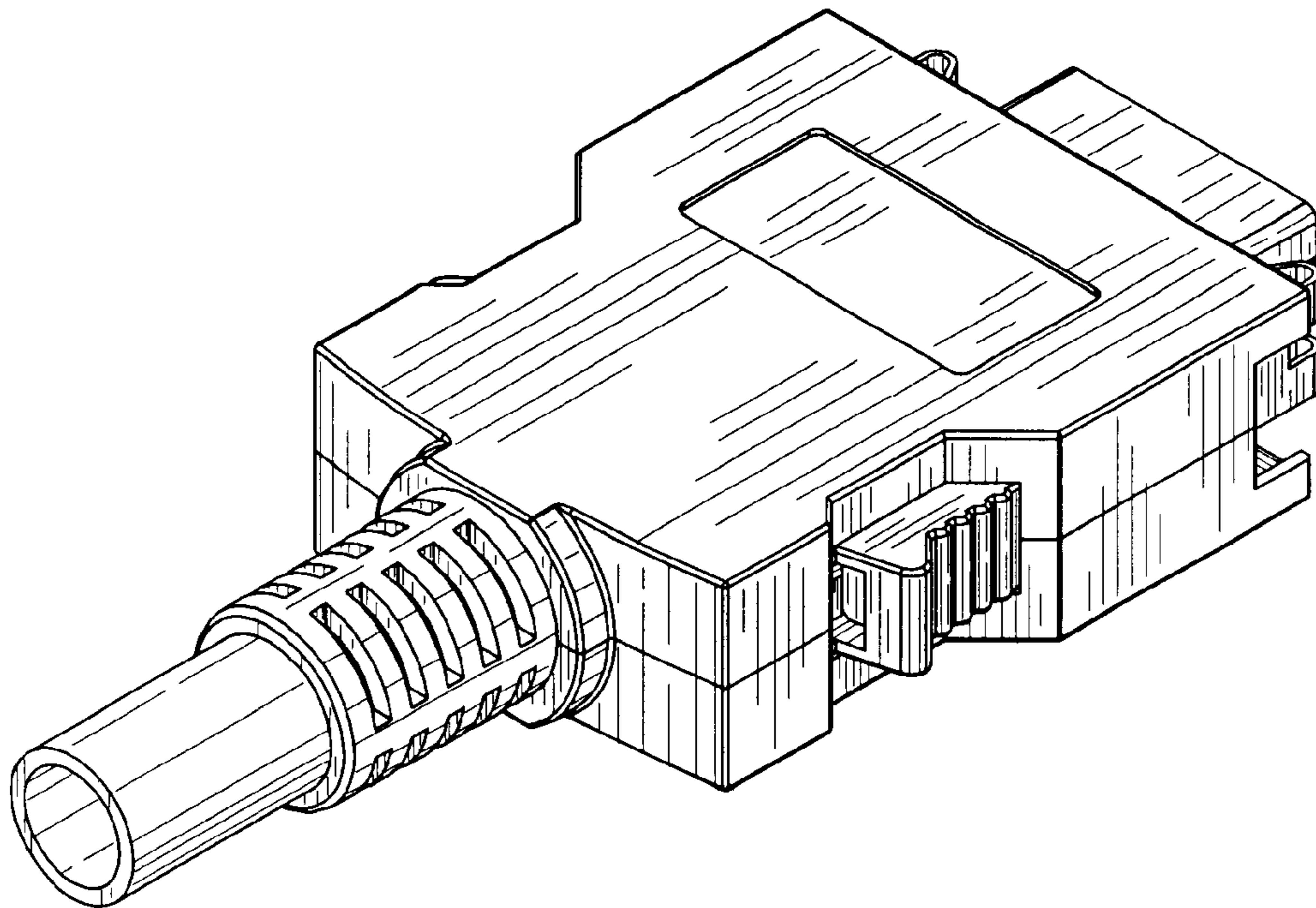


FIG. 1

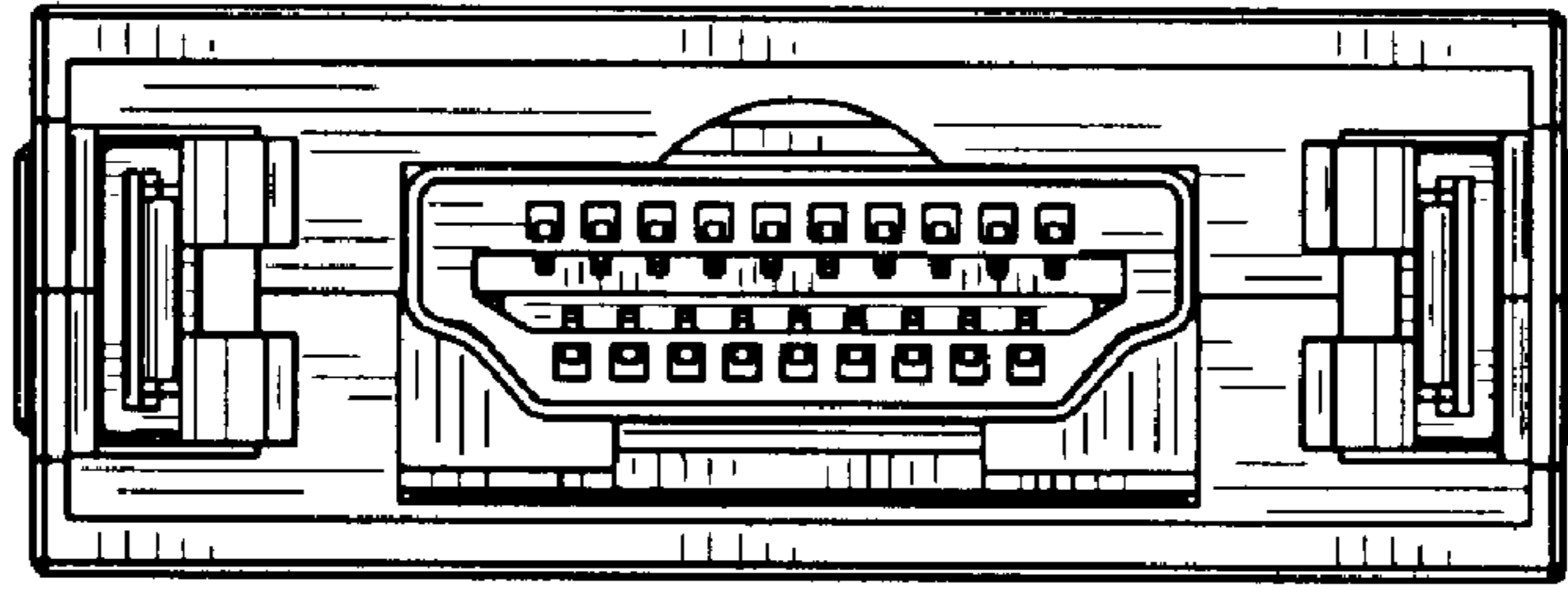


FIG. 2

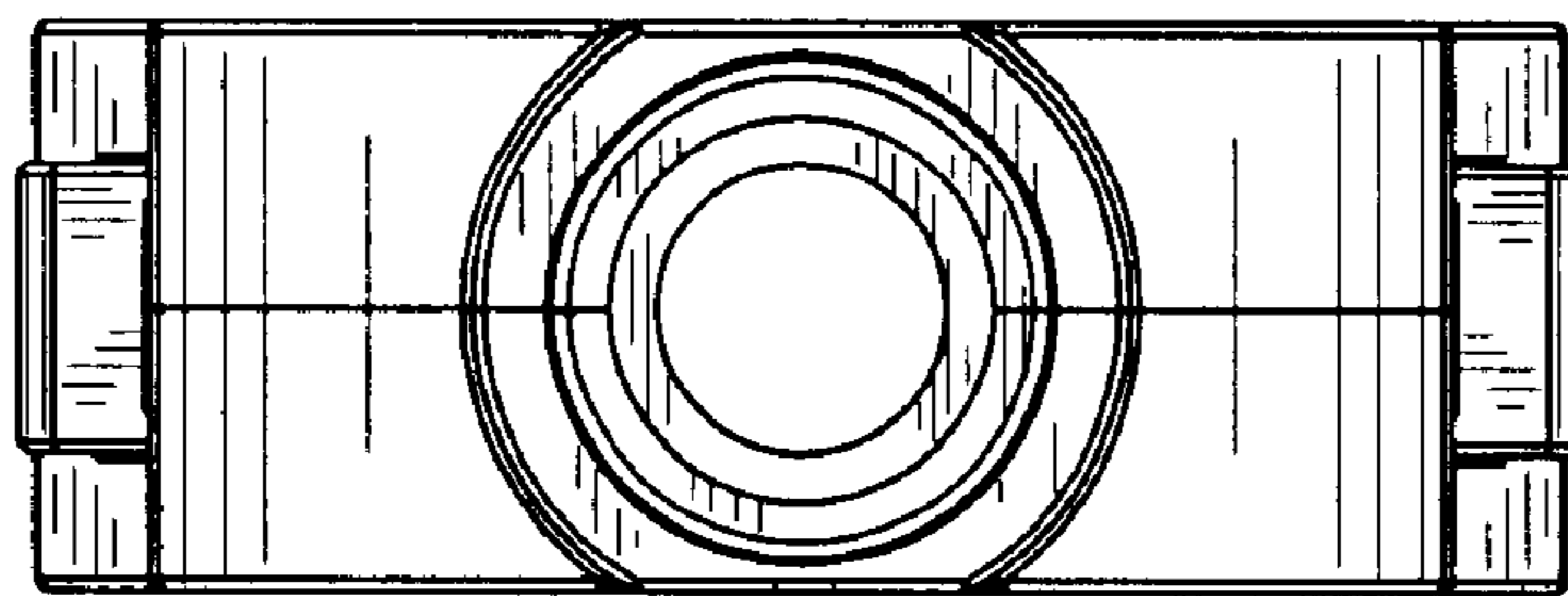


FIG. 3

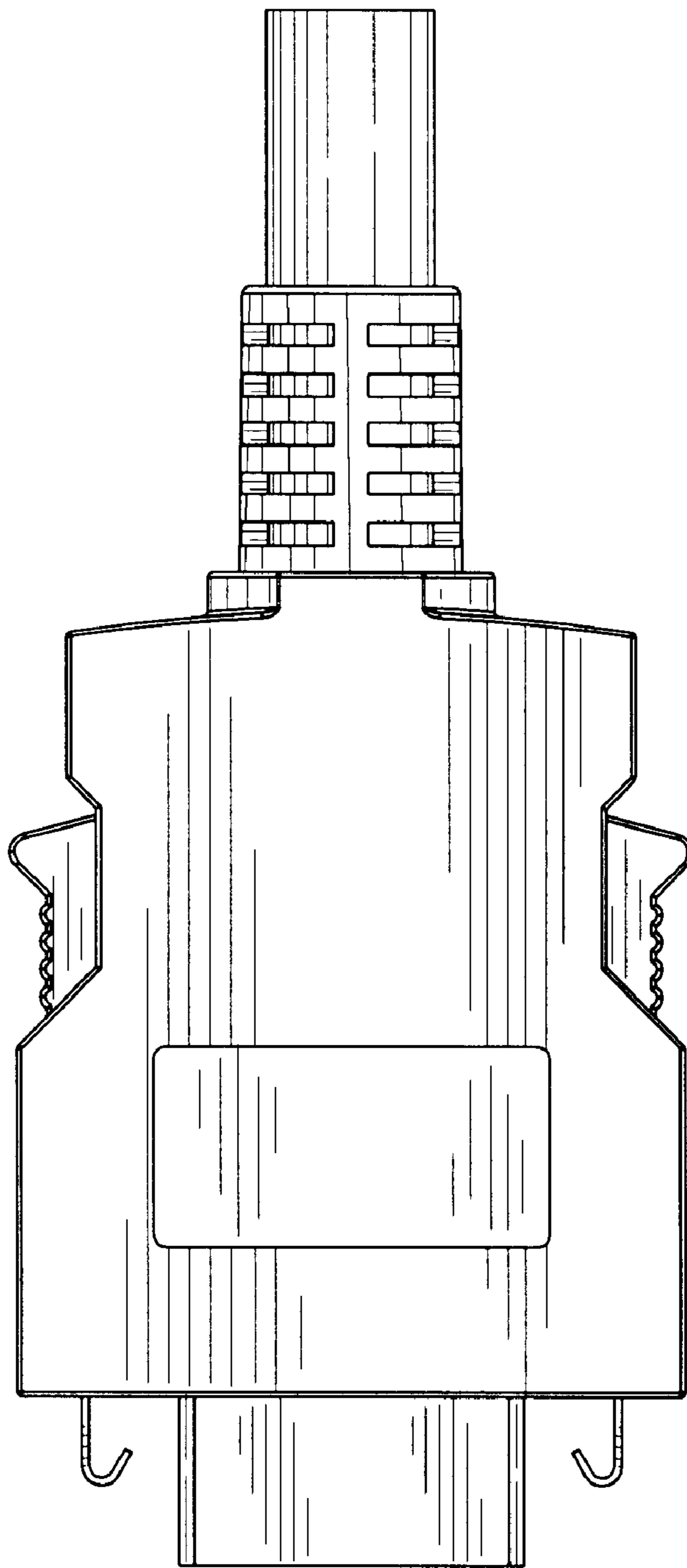


FIG. 4

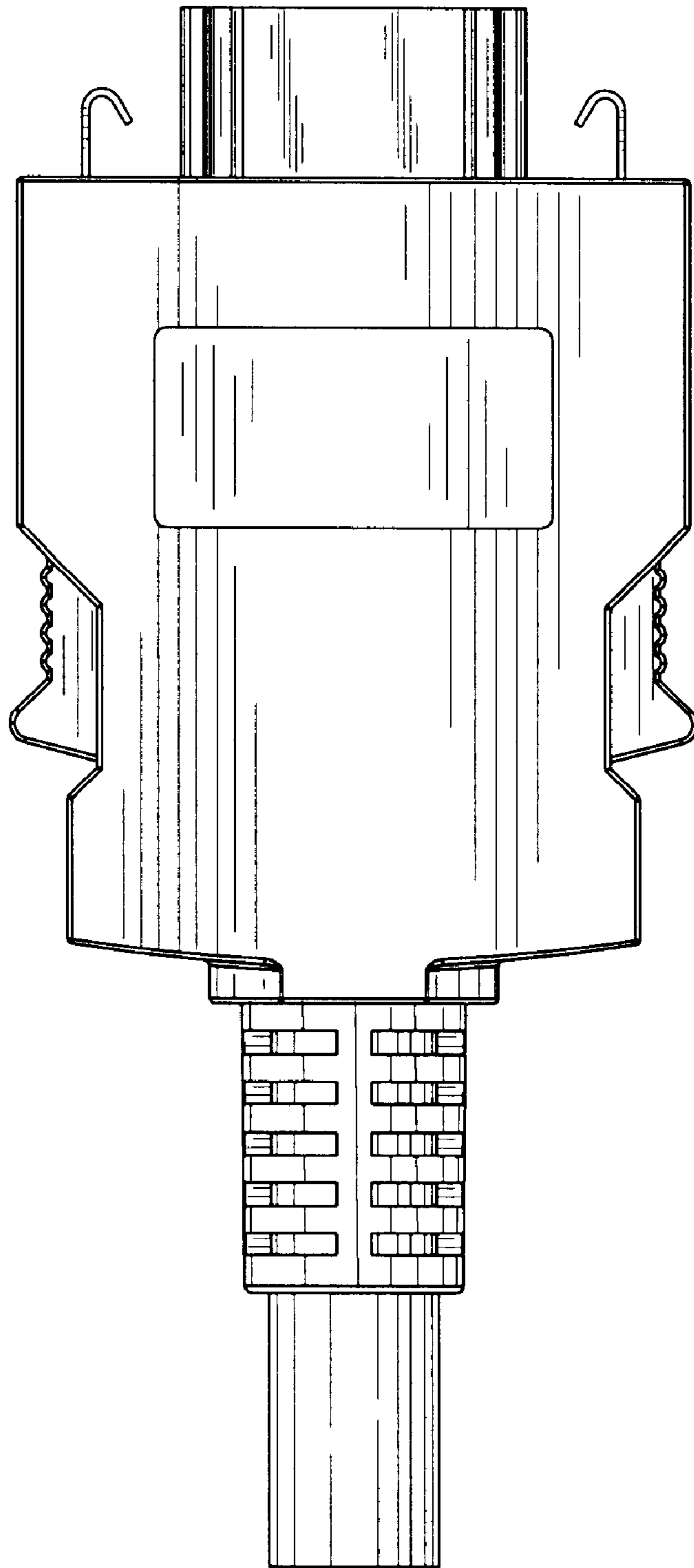


FIG. 5



FIG. 6

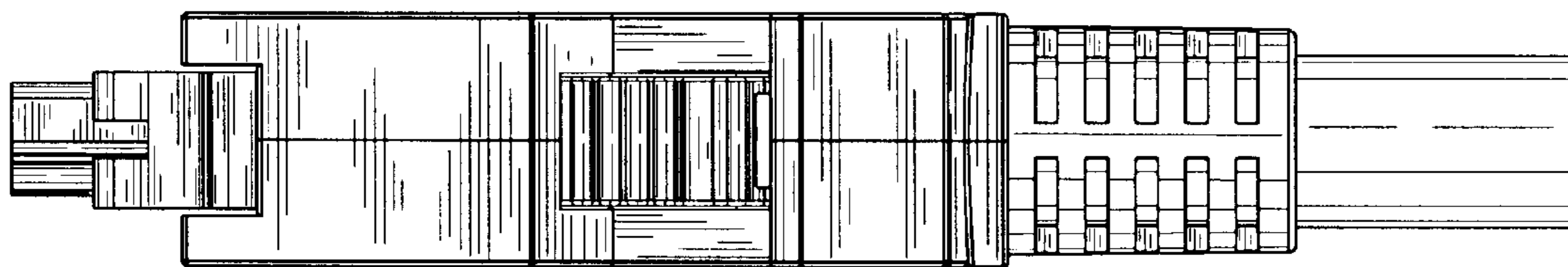


FIG. 7