



US00D520954S

(12) **United States Design Patent** (10) **Patent No.:** **US D520,954 S**
Moriwake et al. (45) **Date of Patent:** **** May 16, 2006**

(54) **ELECTRICAL CONNECTOR**

TW	407952	10/2000
TW	412393	11/2000
TW	467683	12/2001

(75) Inventors: **Ryo Moriwake**, Izumiotsu (JP);
Takashi Tsutsui, Nissin (JP)

OTHER PUBLICATIONS

(73) Assignee: **J.S.T. Mfg. Co., Ltd.**, Osaka (JP)

Taiwanese Magazine "Teemadata 108", published by Excel Cell Electronic Co.: Ltd. Taiwan on Dec. 1, 1999 (2 pages & copy enlarged photo).

(**) Term: **14 Years**

Conicon, Chu Yuen Enterprise Co., Ltd.; Taipei, Taiwan; 3 pages; Japanese Patent Office public known material No. HD12005786, received Dec. 3, 1999.

(21) Appl. No.: **29/205,628**

Magazine "MBC" Merchandising & Buying Cable & Connector Products, published Mar. 2000, (2 pages and copy of enlarged photo).

(22) Filed: **May 17, 2004**

Related U.S. Application Data

(62) Division of application No. 29/163,078, filed on Jun. 25, 2002, now Pat. No. Des. 491,892.

(Continued)

(30) **Foreign Application Priority Data**

Primary Examiner—Stella Reid
Assistant Examiner—Selina Sikder
(74) *Attorney, Agent, or Firm*—W. F. Fasse; W. G. Fasse

Jan. 8, 2002	(JP)	2002-119
Jan. 8, 2002	(JP)	2002-120
Jan. 8, 2002	(JP)	2002-121
Jan. 8, 2002	(JP)	2002-118

(57) **CLAIM**

(51) **LOC (8) Cl.** **13-03**

The ornamental design for an electrical connector, as shown and described.

(52) **U.S. Cl.** **D13/147**

DESCRIPTION

(58) **Field of Classification Search** D13/146,
D13/147; 439/63, 78, 79, 108, 188, 540.1,
439/540.5, 544, 553, 557, 607-610, 638,
439/620, 676, 717, 677-681

FIG. 1 is a front elevation view of an electrical connector showing our new design;

See application file for complete search history.

FIG. 2 is a rear elevation view of the electrical connector;

(56) **References Cited**

U.S. PATENT DOCUMENTS

D410,227	S	*	5/1999	Wu et al.	D13/147
D410,434	S	*	6/1999	Wu	D13/147
5,961,350	A		10/1999	Shiu		
6,137,790	A	*	10/2000	Bordogna et al.	370/351
6,186,830	B1	*	2/2001	Lin et al.	439/607

FIG. 3 is a top plan view of the electrical connector;

FIG. 4 is a bottom plan view of the electrical connector;

FIG. 5 is a left side elevation view of the electrical connector;

FIG. 6 is a right side elevation view of the electrical connector;

FIG. 7 is a perspective view of the front, top and left side of the electrical connector; and,

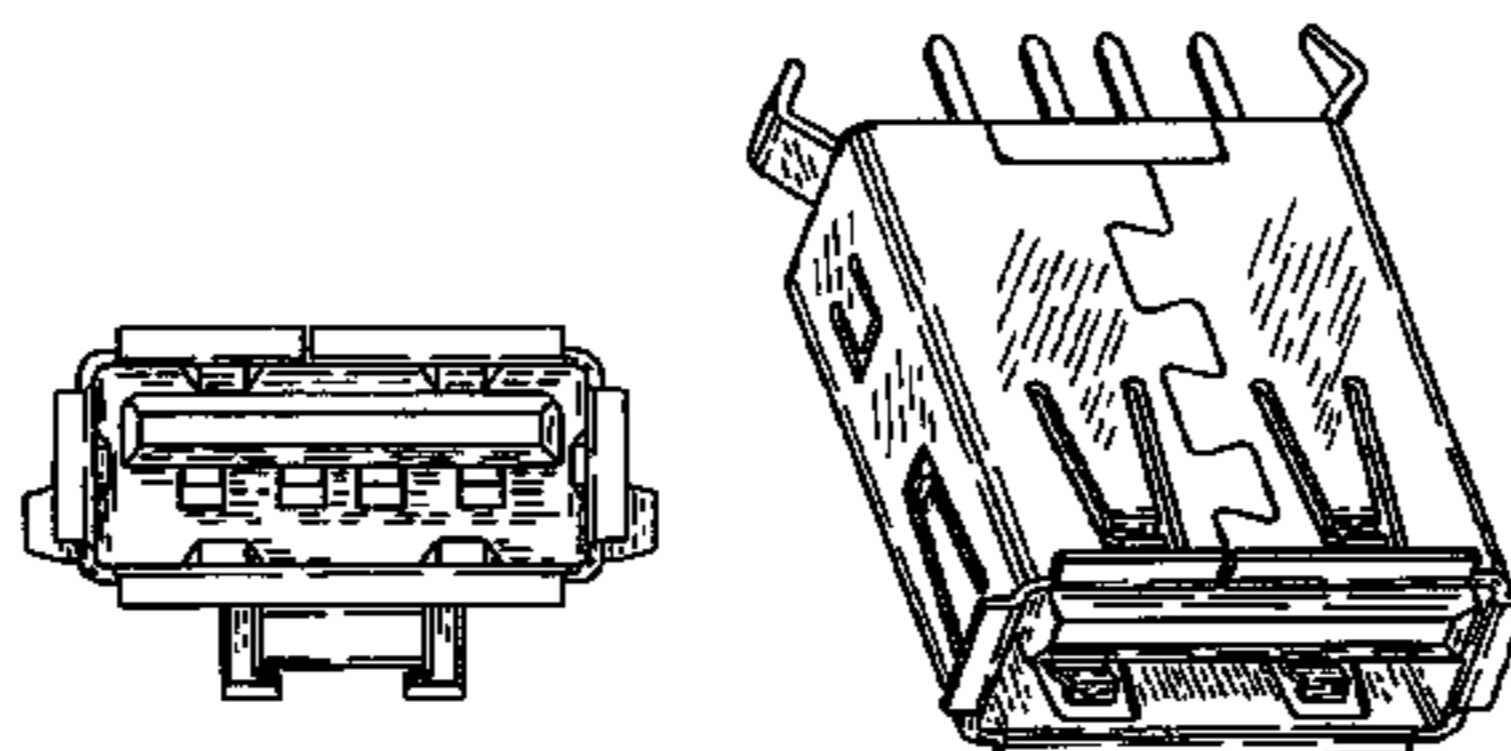
FIG. 8 is a reduced top plan view of the electrical connector in a connecting condition. A printed circuit board and a counterpart electrical connector are drawn in broken lines for illustrative purposes only and form no part of the claimed design.

(Continued)

FOREIGN PATENT DOCUMENTS

JP	1043101	7/1999
TW	308519	6/1997
TW	320544	11/1997

1 Claim, 4 Drawing Sheets



U.S. PATENT DOCUMENTS

6,203,373 B1 3/2001 Lin
D446,772 S * 8/2001 Chen et al. D13/147
D447,466 S * 9/2001 Chen et al. D13/147
D465,765 S 11/2002 Zhang et al.
D465,769 S 11/2002 Zhang et al.
D466,084 S 11/2002 Zhang et al.
6,475,033 B1 11/2002 Zhu et al.
D473,193 S 4/2003 Yang et al.
6,554,648 B1 * 4/2003 Shi et al. 439/607
D478,050 S 8/2003 Nishio et al.
D491,892 S * 6/2004 Moriwake et al. D13/147

OTHER PUBLICATIONS

Compaq, Hewlett-Packard, Intel et al.; Universal Ser. Bus Specification 8 Rev. 2.0: Apr. 27, 2000; Chapter 6, pp. 82 to 117.
Design of USB Connector, AMPNEWS No. 154, 1997-11; Denpa Shinbun 9.12.20P5; Jun. 10, 1998; page 5; Japanese Patent Office, Design Department, Public Known Material No. HN10011416.
Fujitsu Takamisawa Component, Standard Interface Connector Series: Nikkan Industrial Newspaper 8.4.22P13; Oct. 31, 1996; p. 50; Japanese Patent Office, Design Department, Public known Material No. HN09002518.

* cited by examiner

FIG. 1

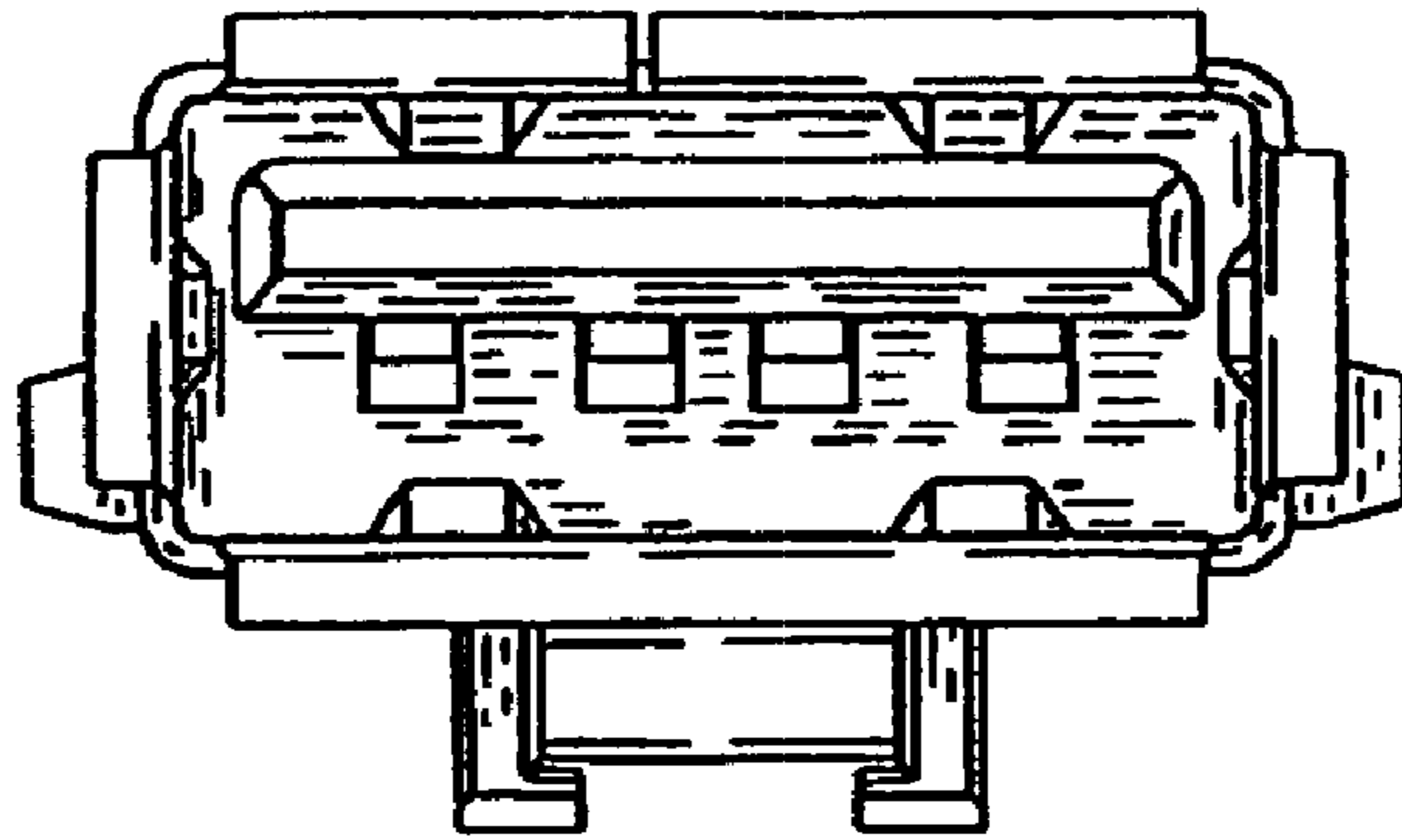


FIG. 2

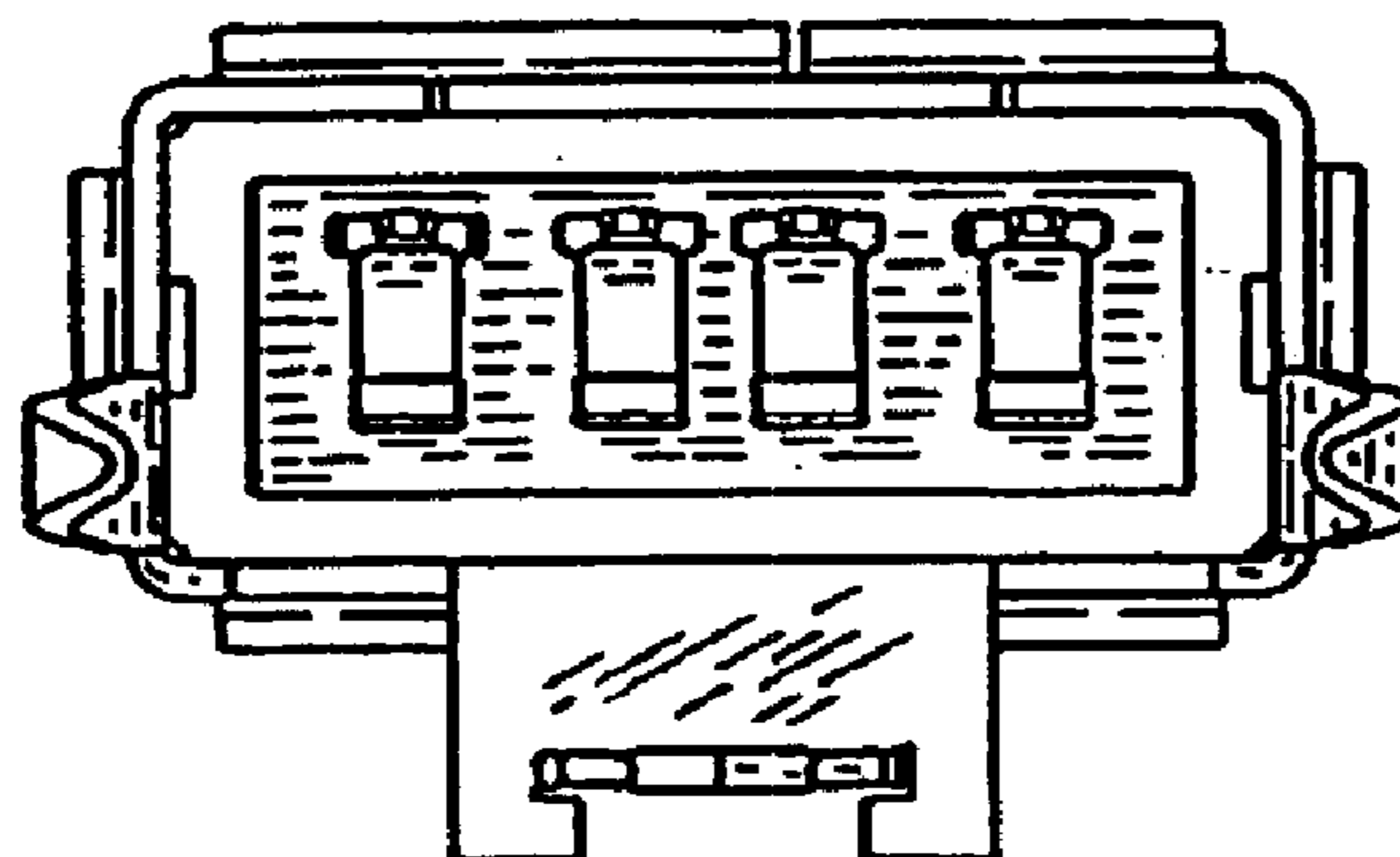


FIG. 3

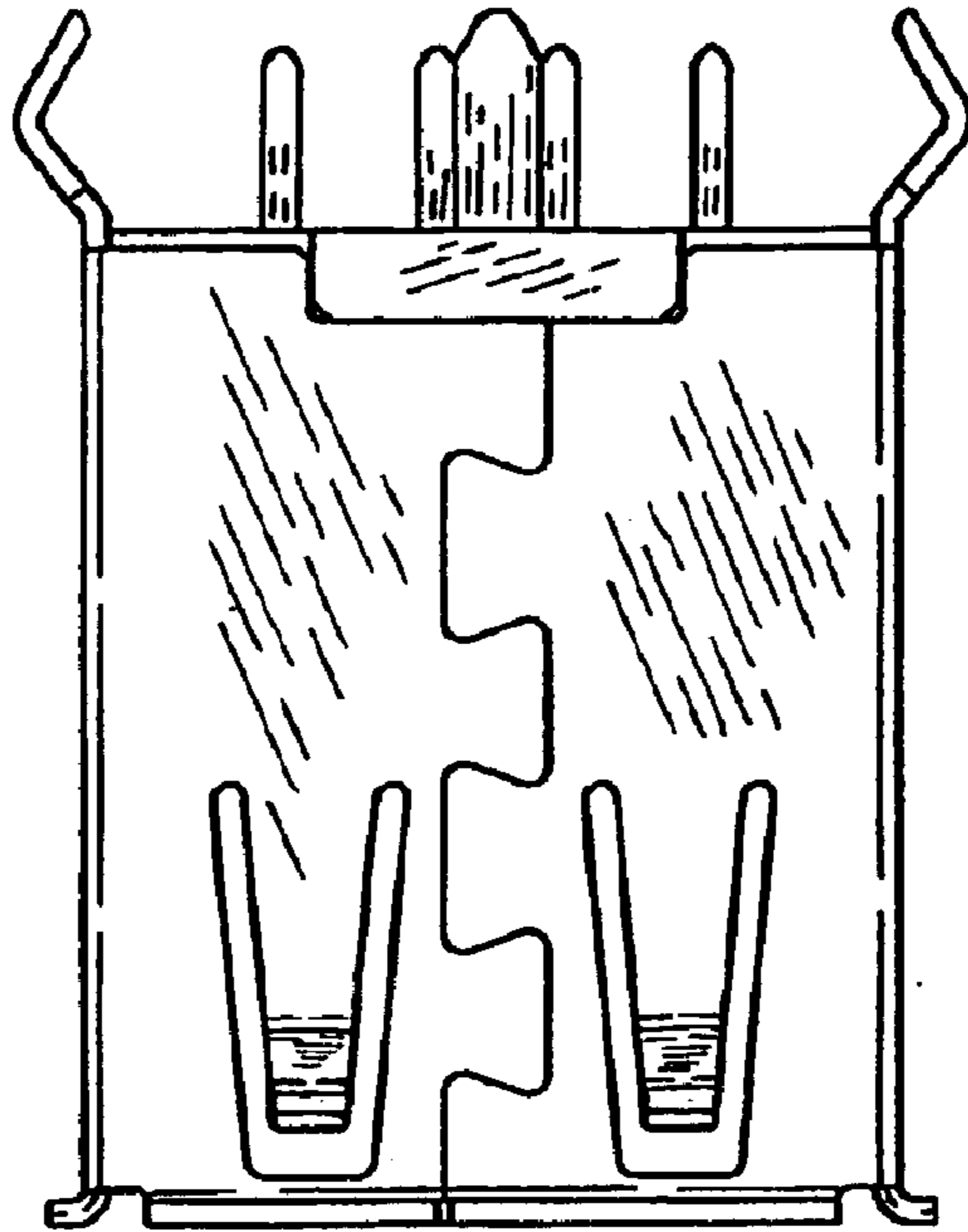


FIG. 4

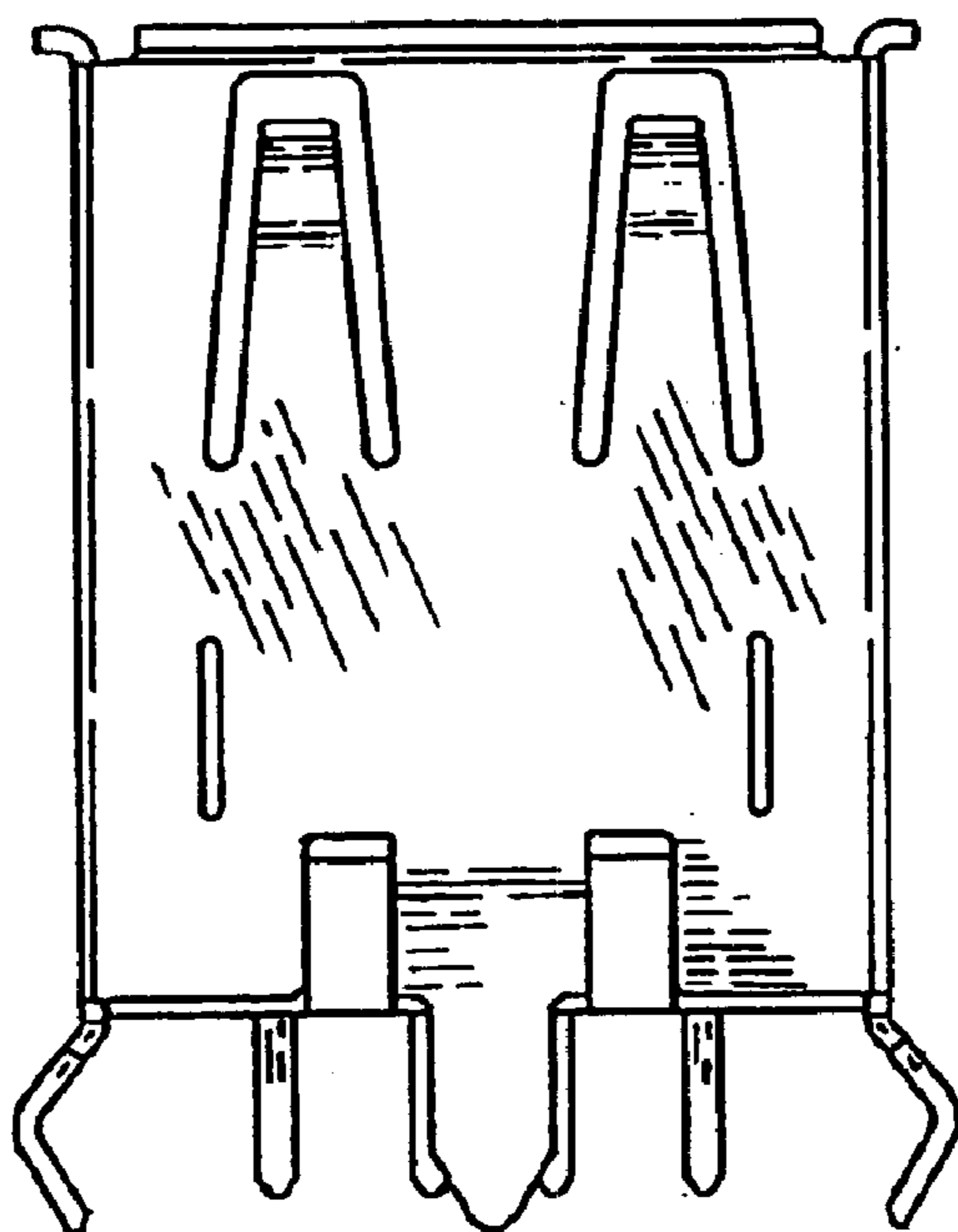


FIG. 5

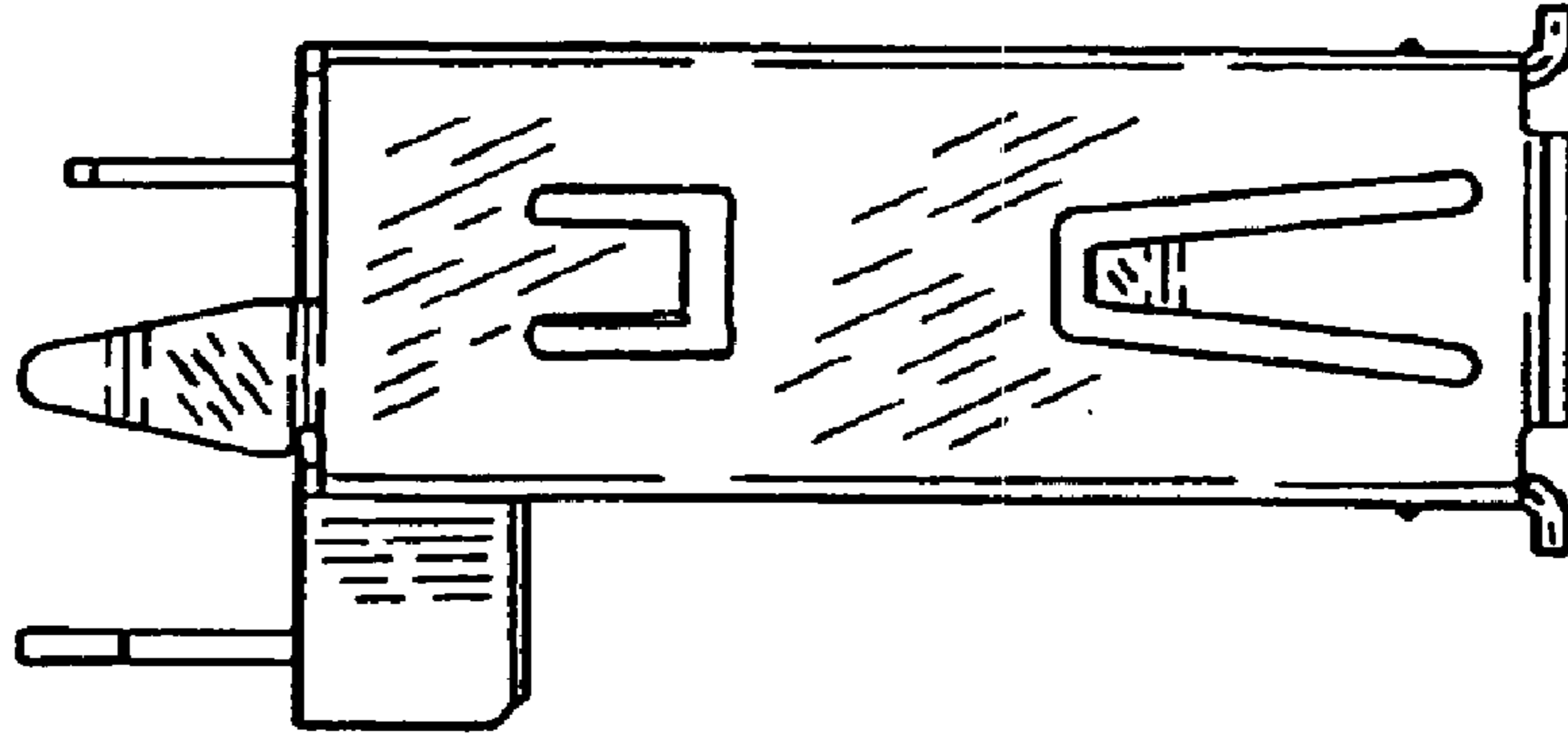


FIG. 6

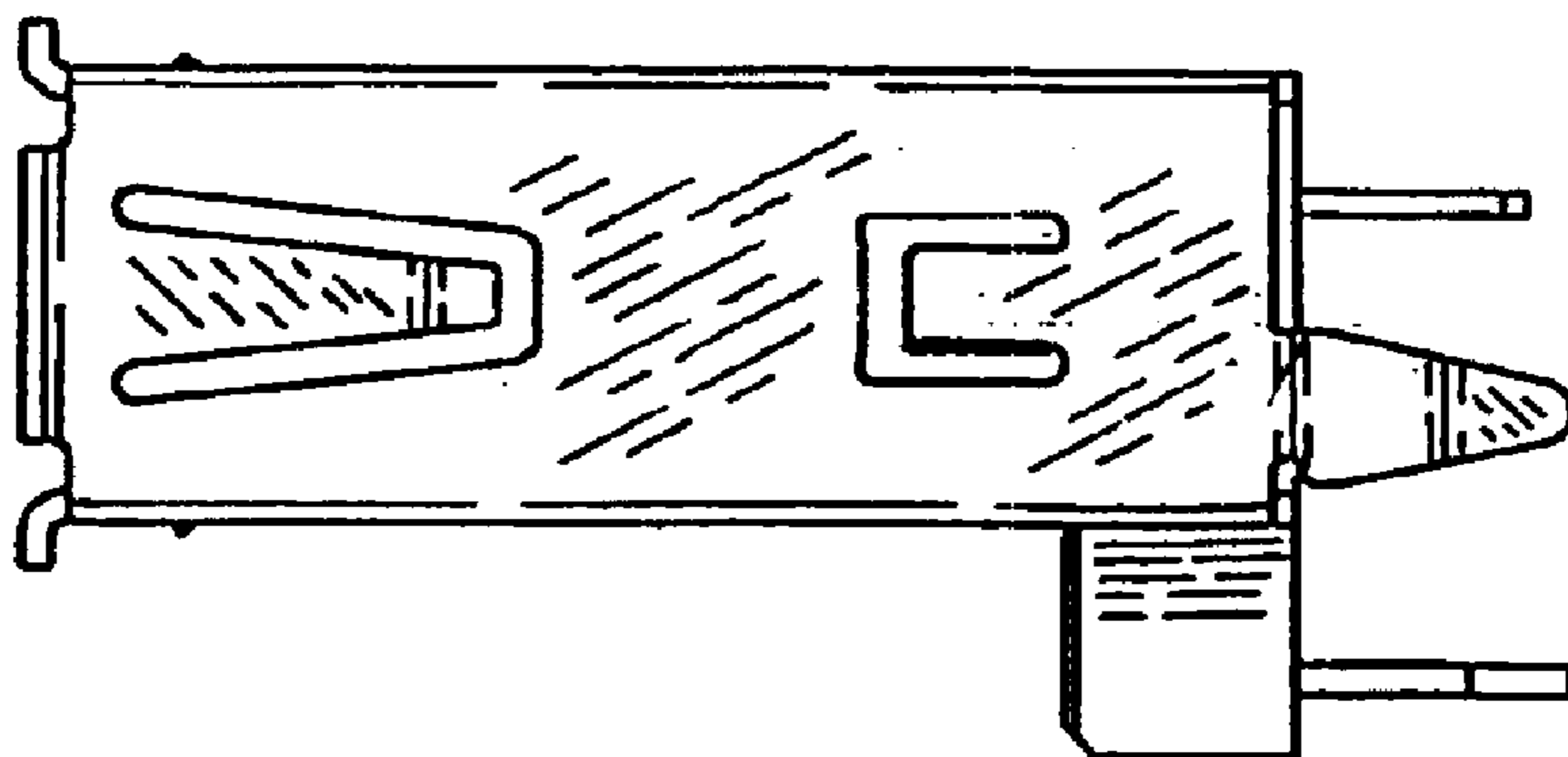


FIG. 7

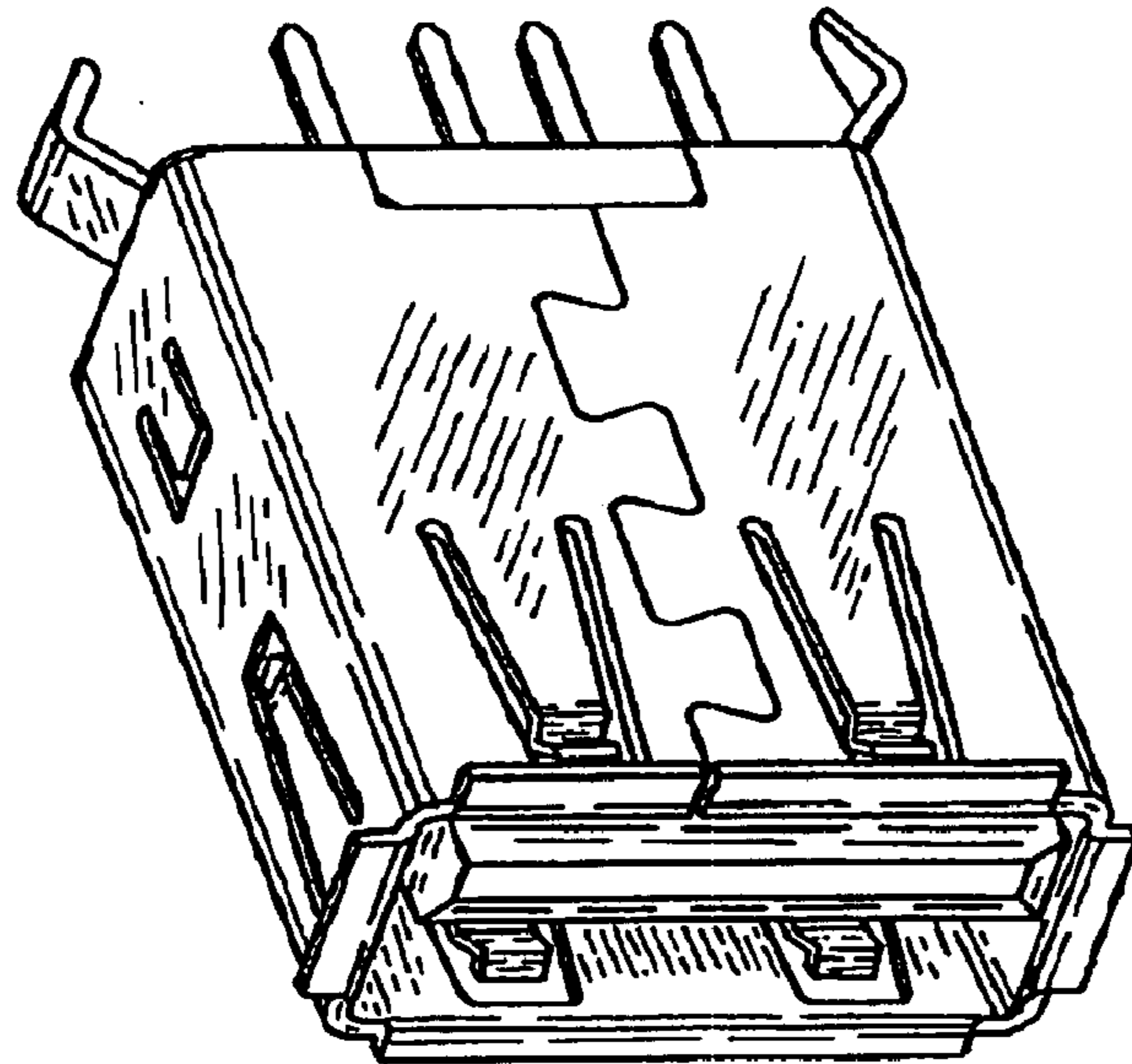
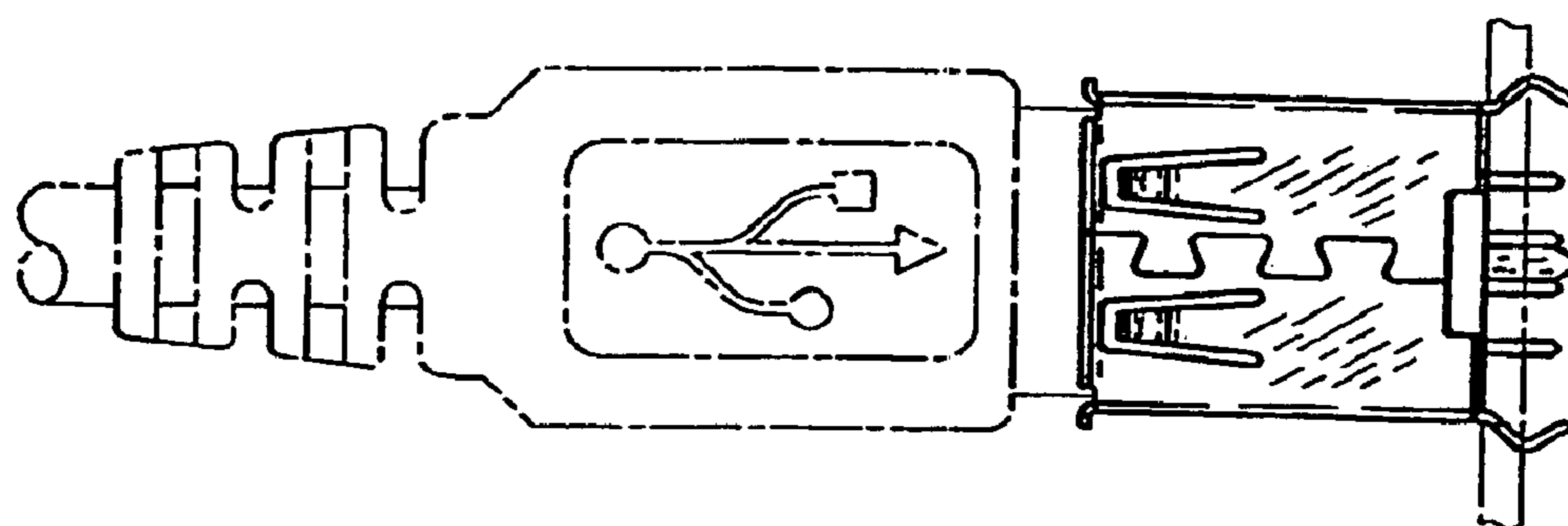


FIG. 8



UNITED STATES PATENT AND TRADEMARK OFFICE
CERTIFICATE OF CORRECTION

PATENT NO. : Des. 520,954 S
APPLICATION NO. : 29/205628
DATED : May 16, 2006
INVENTOR(S) : Moriwake et al.

Page 1 of 1

It is certified that error appears in the above-identified patent and that said Letters Patent is hereby corrected as shown below:

Title page.

Item [75], Inventors,

Line 1, replace "Izumiotu" by --Izumiotu-shi--;

Line 2, replace "Nissin" by --Nissin-shi--;

Under "OTHER PUBLICATIONS",

Line 2, after "Electronic Co.", replace ":" by --;--;

Under "CLAIM",

Line 1, after "connector" delete --,--;

Page 2,

Under "OTHER PUBLICATIONS",

Line 2, after "2.0", replace ":" by --;--;


after "pp.", replace "82" by --85--;

Line 9, after "Series", replace ":" by --;--;

Line 11, after "Public", replace "known" by --Known--.

Signed and Sealed this

Twelfth Day of December, 2006

A handwritten signature in black ink on a dotted background. The signature reads "Jon W. Dudas" in a cursive style.

JON W. DUDAS

Director of the United States Patent and Trademark Office