

US00D520953S

(12) **United States Design Patent**  
**Moriwake et al.**

(10) **Patent No.:** **US D520,953 S**

(45) **Date of Patent:** **\*\* May 16, 2006**

(54) **ELECTRICAL CONNECTOR**

TW 467683 12/2001

(75) Inventors: **Ryo Moriwake**, Izumiotsu (JP);  
**Takashi Tsutsui**, Nissin (JP)

OTHER PUBLICATIONS

(73) Assignee: **J.S.T. Mfg. Co., Ltd.**, Osaka (JP)

Taiwanese Magazine "Teemadata 108", published by Excel Cell Electronic Co.; Ltd. Taiwan on Dec. 1, 1999 (2 pages & copy of enlarged photo).

(\*\*) Term: **14 Years**

Conicon, Chu Yuen Enterprise Co., Ltd.; Taipei Taiwan; 3 pages; Japanese Patent Office public known material No. HD12005786, received Dec. 3, 1999.

(21) Appl. No.: **29/205,626**

Magazine "MBC" Merchandising & Buying Cable & Connector Products, published Mar. 2000, (2 pages and copy of enlarged photo).

(22) Filed: **May 17, 2004**

Compaq, Hewlett-Packard, Intel et al.: Universal Serial Bus Specification 9 Rev. 2.0; Apr. 27, 2000: Chapter 6, pp. 85 to 117.

**Related U.S. Application Data**

(62) Division of application No. 29/161,086, filed on May 21, 2002.

(Continued)

(30) **Foreign Application Priority Data**

Nov. 26, 2001	(JP)	.....	2001-34545
Nov. 26, 2001	(JP)	.....	2001-34546
Nov. 26, 2001	(JP)	.....	2001-34547
Nov. 26, 2001	(JP)	.....	2001-34548
Nov. 26, 2001	(JP)	.....	2001-34549

*Primary Examiner*—Stella Reid  
*Assistant Examiner*—Selina Sikder

(74) *Attorney, Agent, or Firm*—W. F. Fasse; W. G. Fasse

(51) **LOC (8) Cl.** ..... **13-03**

(52) **U.S. Cl.** ..... **D13/147**

(58) **Field of Classification Search** ..... D13/146,  
D13/147; 439/63, 78, 79, 108, 188, 540.1,  
439/540.5, 544, 553, 557, 607-610, 638,  
439/620, 676, 717, 677-681

(57) **CLAIM**

The ornamental design for an electrical connector, as shown and described.

See application file for complete search history.

**DESCRIPTION**

(56) **References Cited**

U.S. PATENT DOCUMENTS

5,637,014	A *	6/1997	Sukegawa et al.	.....	439/607
5,797,770	A *	8/1998	Davis et al.	.....	439/607

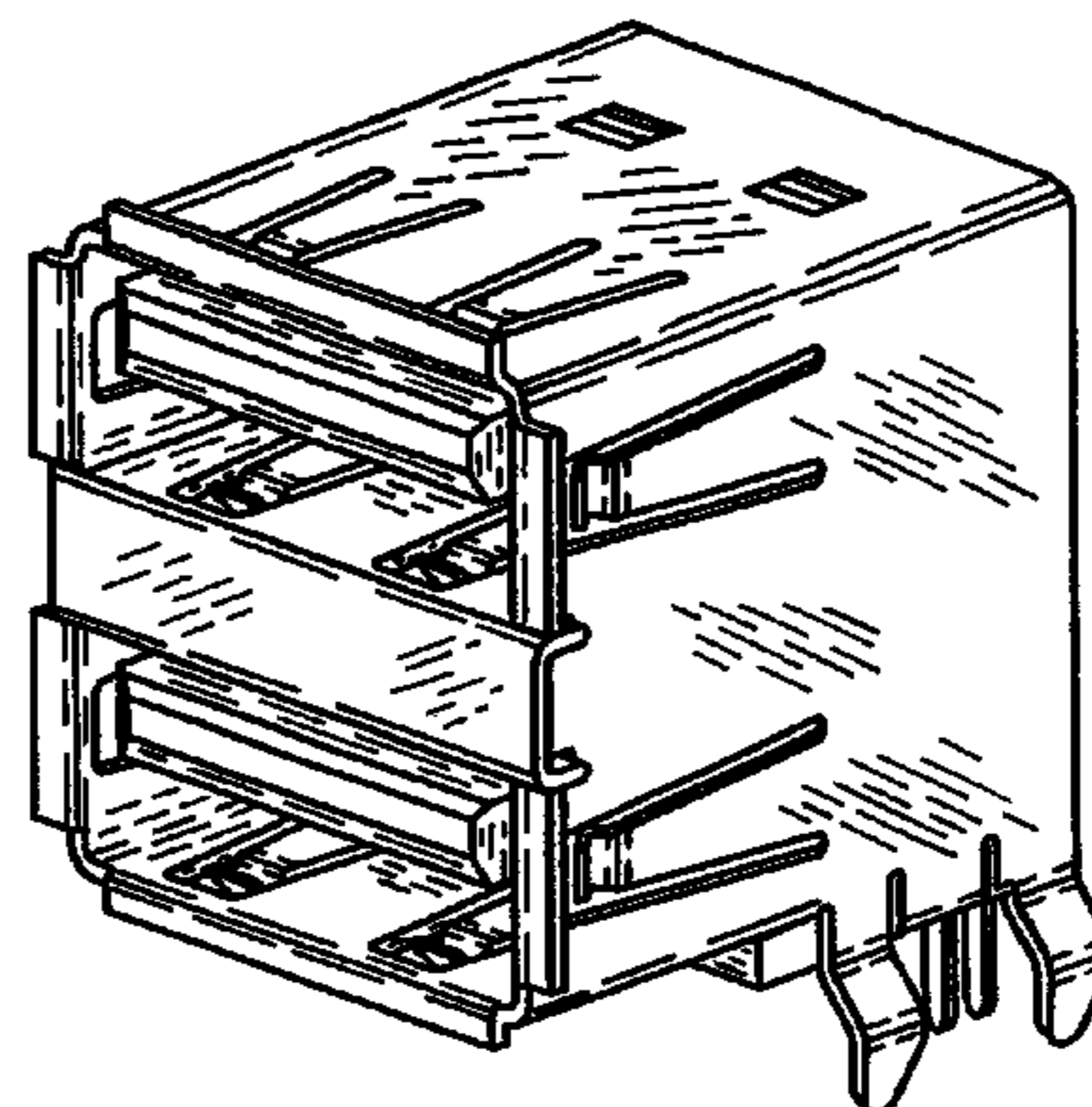
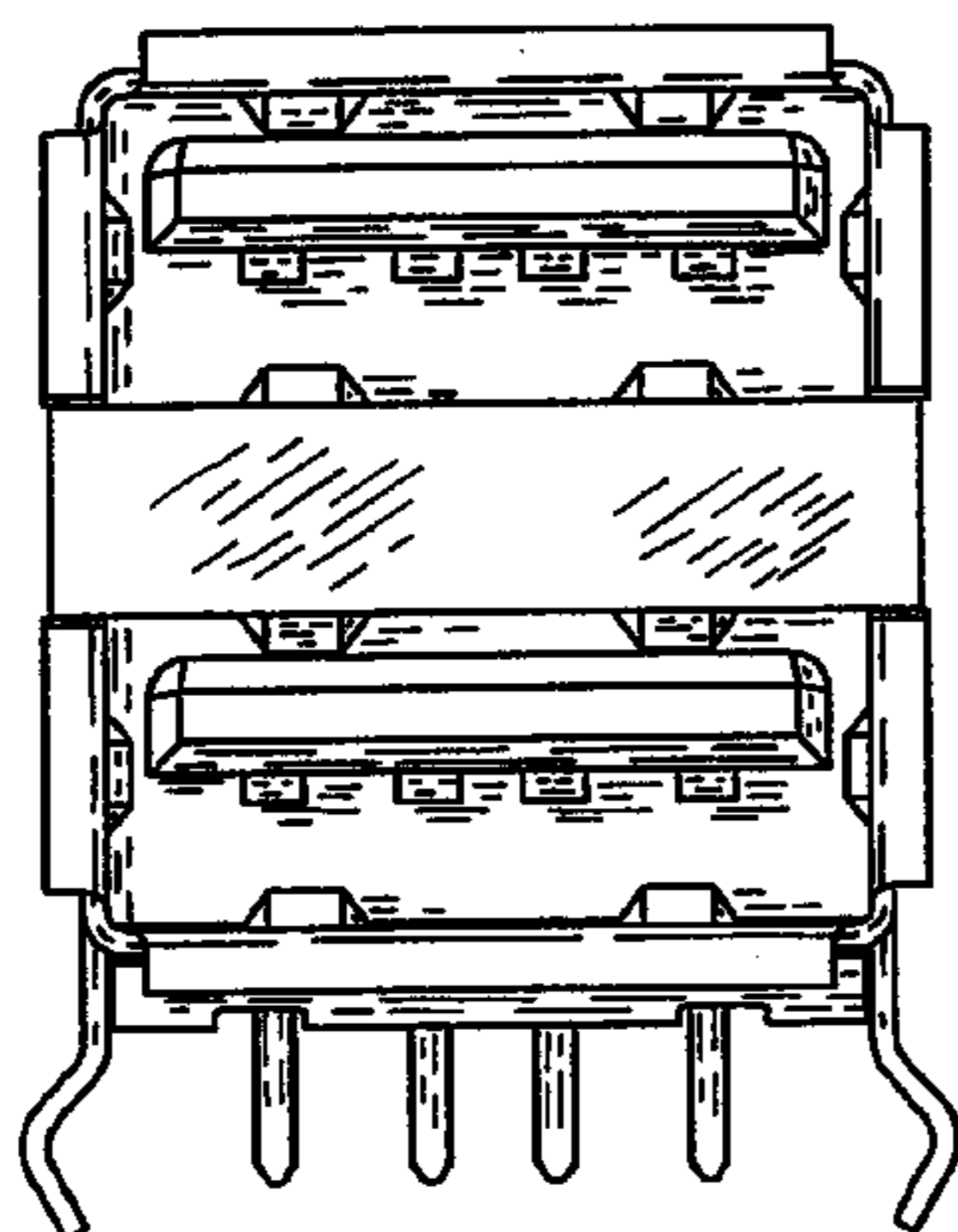
FIG. 1 is a front elevation view of an electrical connector showing our new design;  
FIG. 2 is a rear elevation view of the electrical connector;  
FIG. 3 is a top plan view of the electrical connector;  
FIG. 4 is a bottom plan view of the electrical connector;  
FIG. 5 is a left side elevation view of the electrical connector;  
FIG. 6 is a right side elevation view of the electrical connector;  
FIG. 7 is a perspective view of the front, top and right side of the electrical connector; and,  
FIG. 8 is a reduced right side elevation view of the electrical connector in a connecting condition. A printed circuit board and a counterpart electrical connector are drawn in broken lines for illustrative purposes only and form no part of the claimed design.

(Continued)

FOREIGN PATENT DOCUMENTS

JP	1043101	7/1999
TW	308519	6/1997
TW	320544	11/1997
TW	407952	10/2000
TW	412393	11/2000

**1 Claim, 4 Drawing Sheets**



# US D520,953 S

Page 2

---

## U.S. PATENT DOCUMENTS

D409,575 S \* 5/1999 Okamoto ..... D13/147  
D414,464 S \* 9/1999 Wu ..... D13/146  
5,961,350 A 10/1999 Shiu  
6,126,485 A \* 10/2000 Shobara et al. .... 439/607  
6,203,373 B1 3/2001 Lin  
6,238,241 B1 \* 5/2001 Zhu et al. .... 439/541.5  
D446,774 S \* 8/2001 Zhu et al. .... D13/147  
6,273,757 B1 \* 8/2001 David et al. .... 439/607  
6,347,961 B1 \* 2/2002 Zhu et al. .... 439/607  
D465,765 S 11/2002 Zhang et al.  
D465,769 S 11/2002 Zhang et al.  
D466,084 S 11/2002 Zhang et al.  
6,475,033 B1 11/2002 Zhu et al.  
D473,193 S 4/2003 Yang et al.

D478,050 S 8/2003 Nishio et al.  
6,755,689 B1 \* 6/2004 Zhang et al. .... 439/607

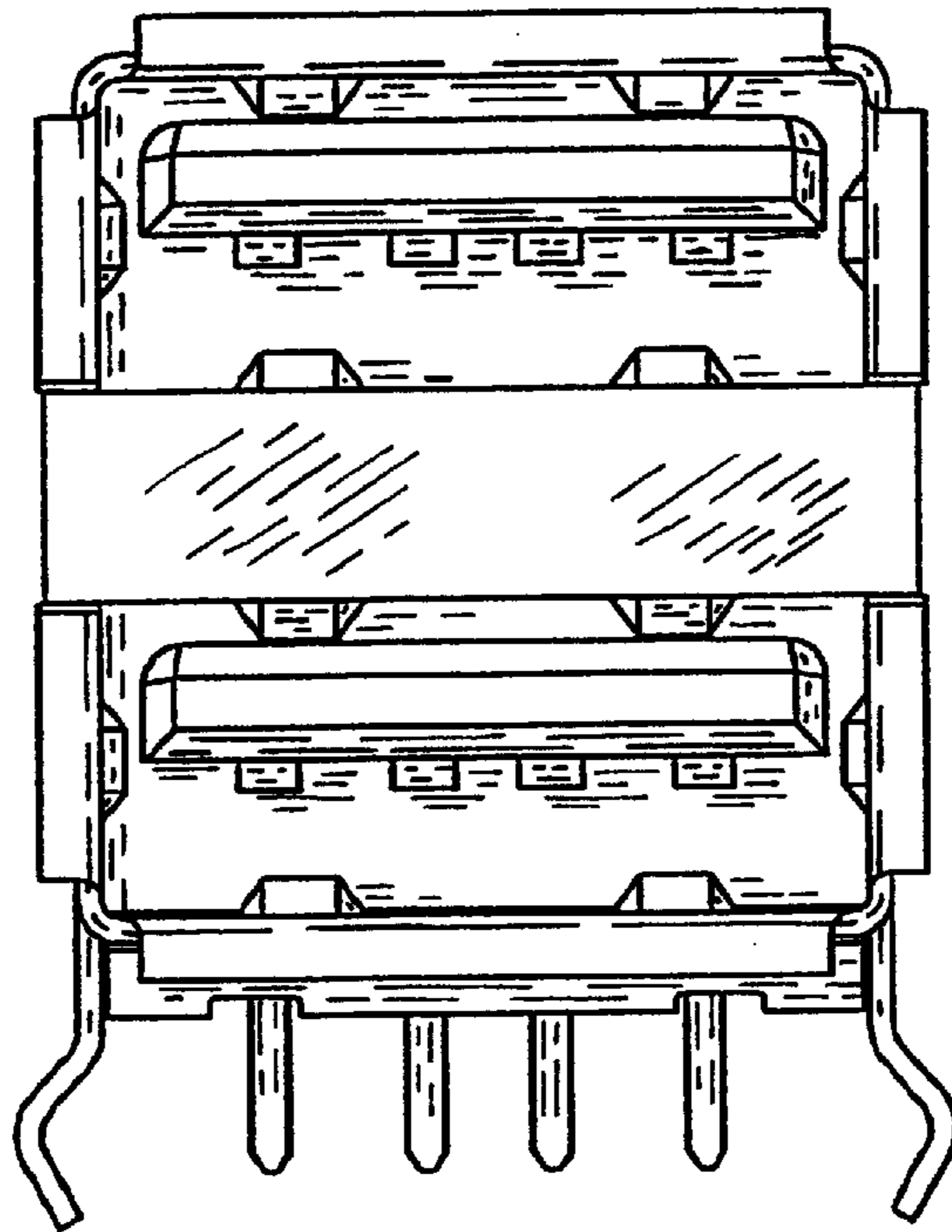
## OTHER PUBLICATIONS

Design of UsB Connector, AMPNEWS No. 154, 1997-11; Denpa Shinbun 9.12.20P5; Jun. 10 1998: page 5; Japanese Patent Office, Design Department, Public Known Material No. HN10011416.

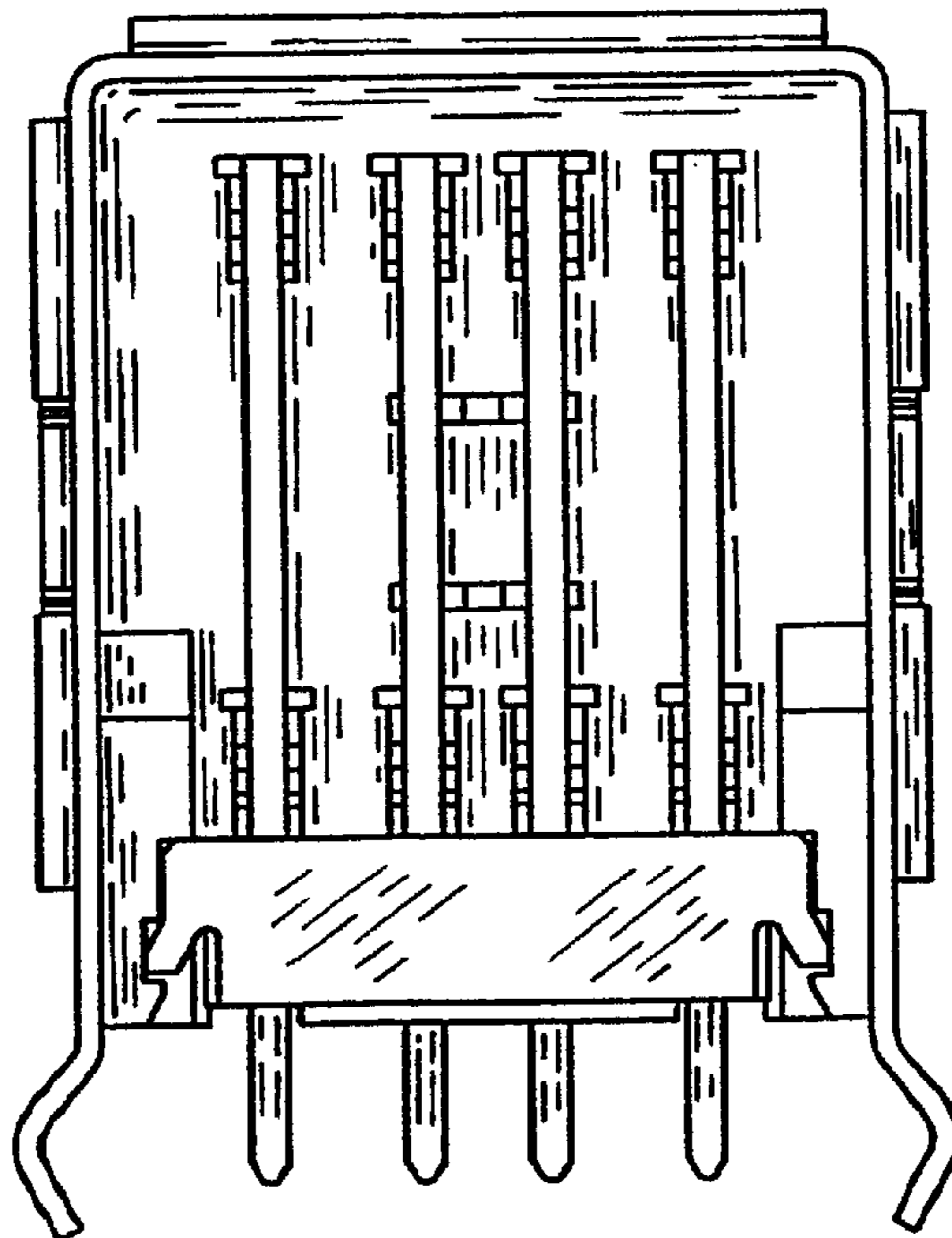
Fujitsu Takamisawa Component, Standard Interface Connector Series; Nikkan Industrial Newspaper 8.4.22P13; Oct. 31, 1996; page 50; Japanese Patent Office, Design Department. Public Known Material No. KNO9002518.

\* cited by examiner

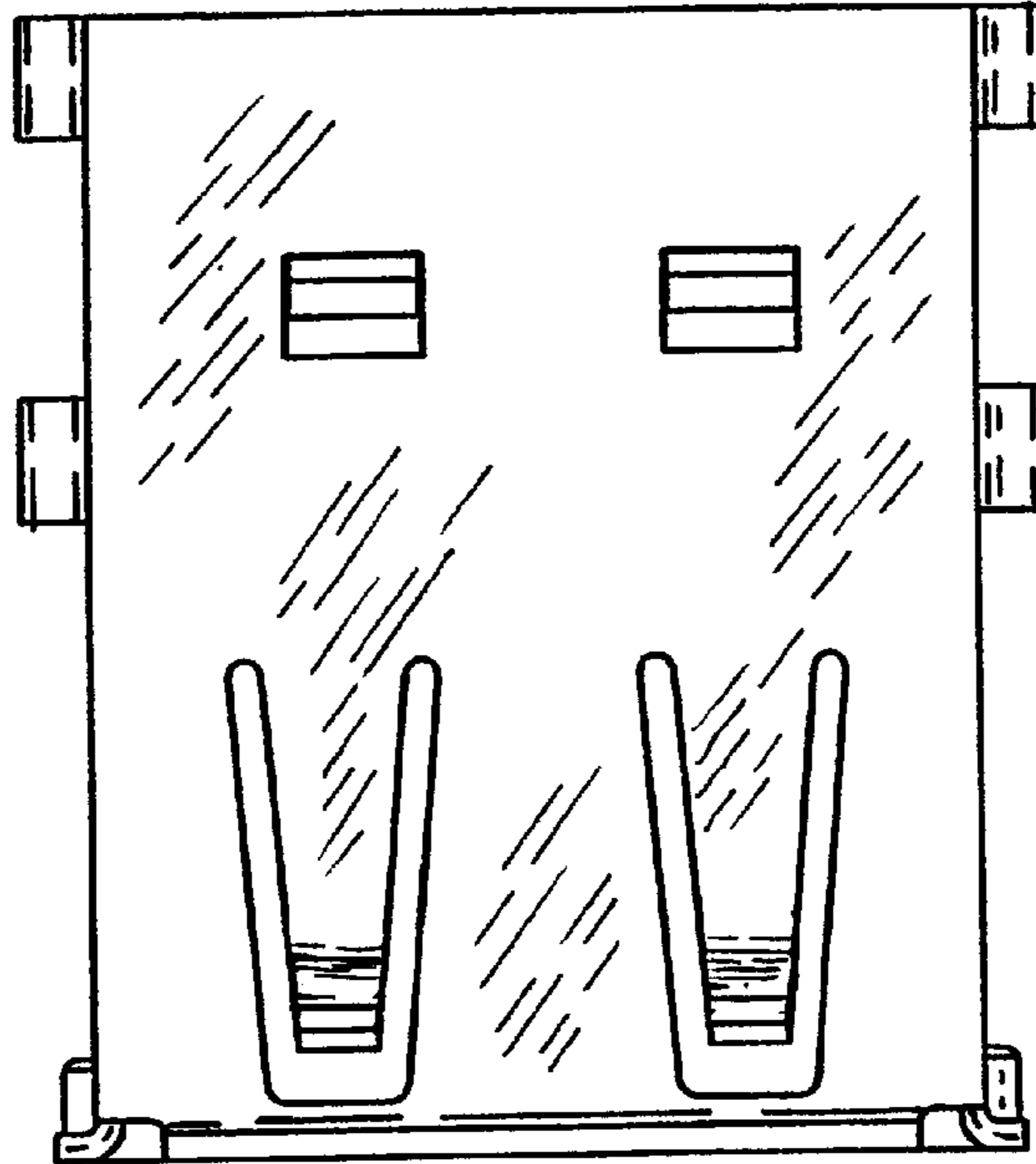
**FIG. 1**



**FIG. 2**



**FIG. 3**



**FIG. 4**

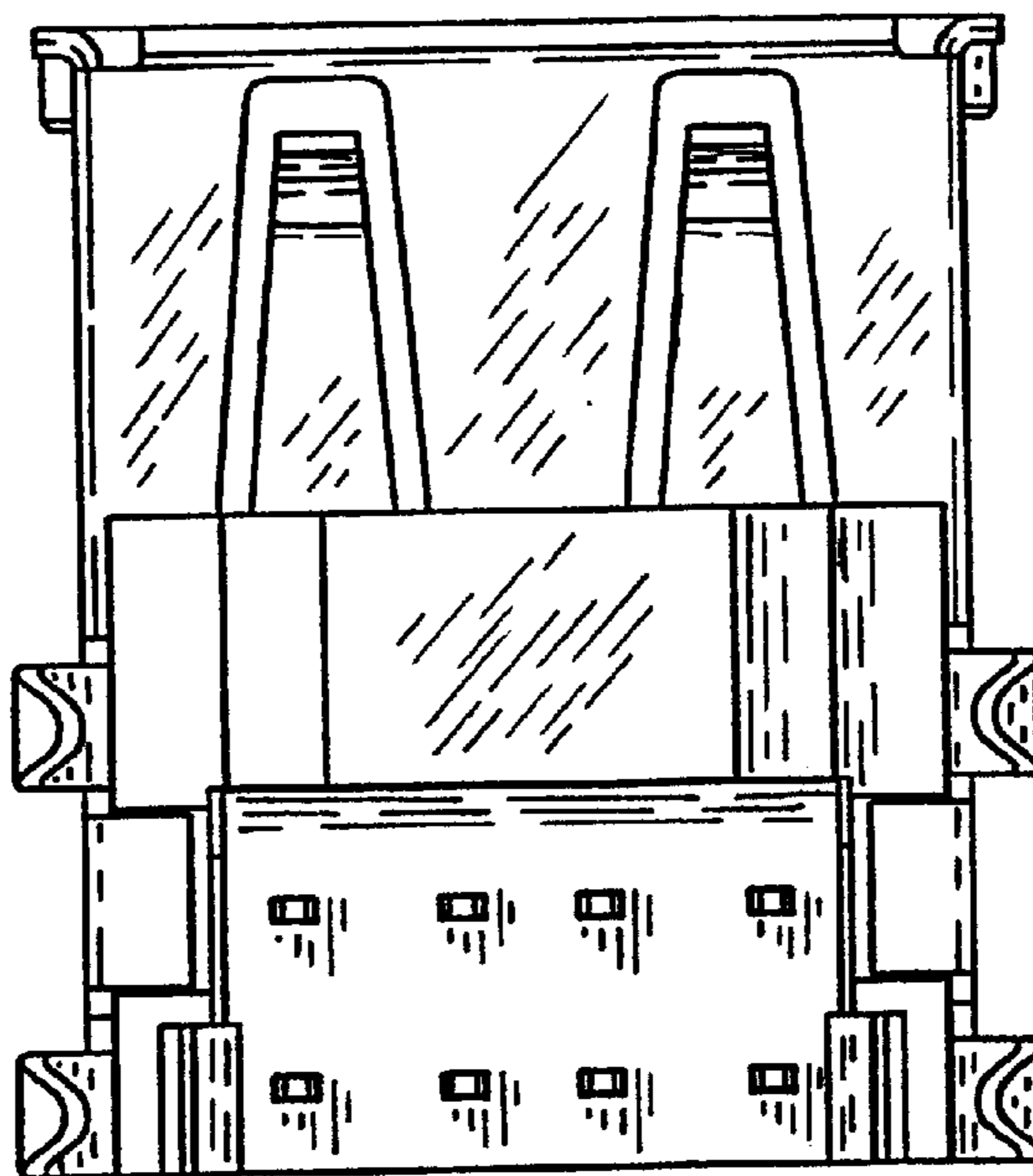


FIG. 5

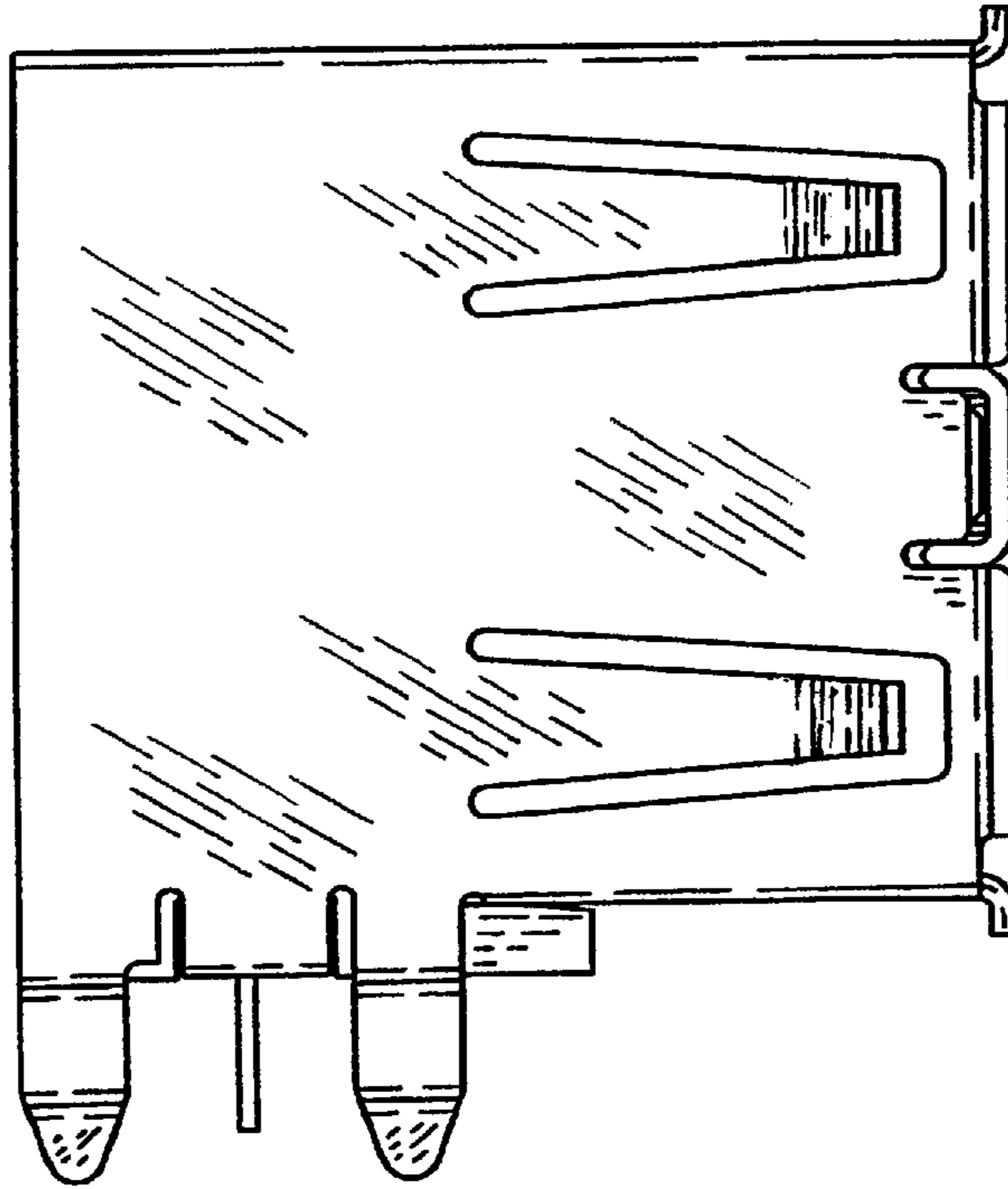


FIG. 6

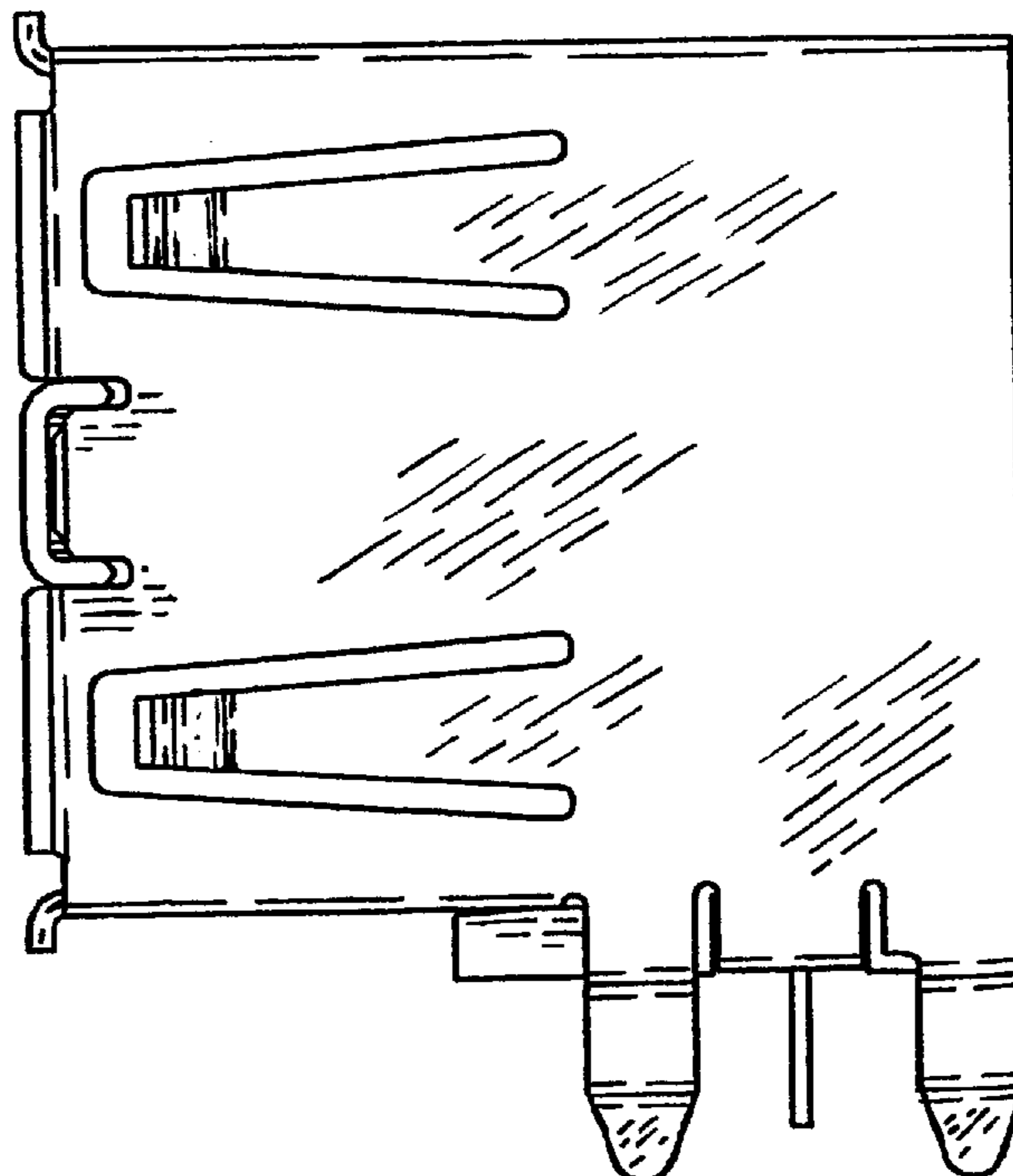


FIG. 7

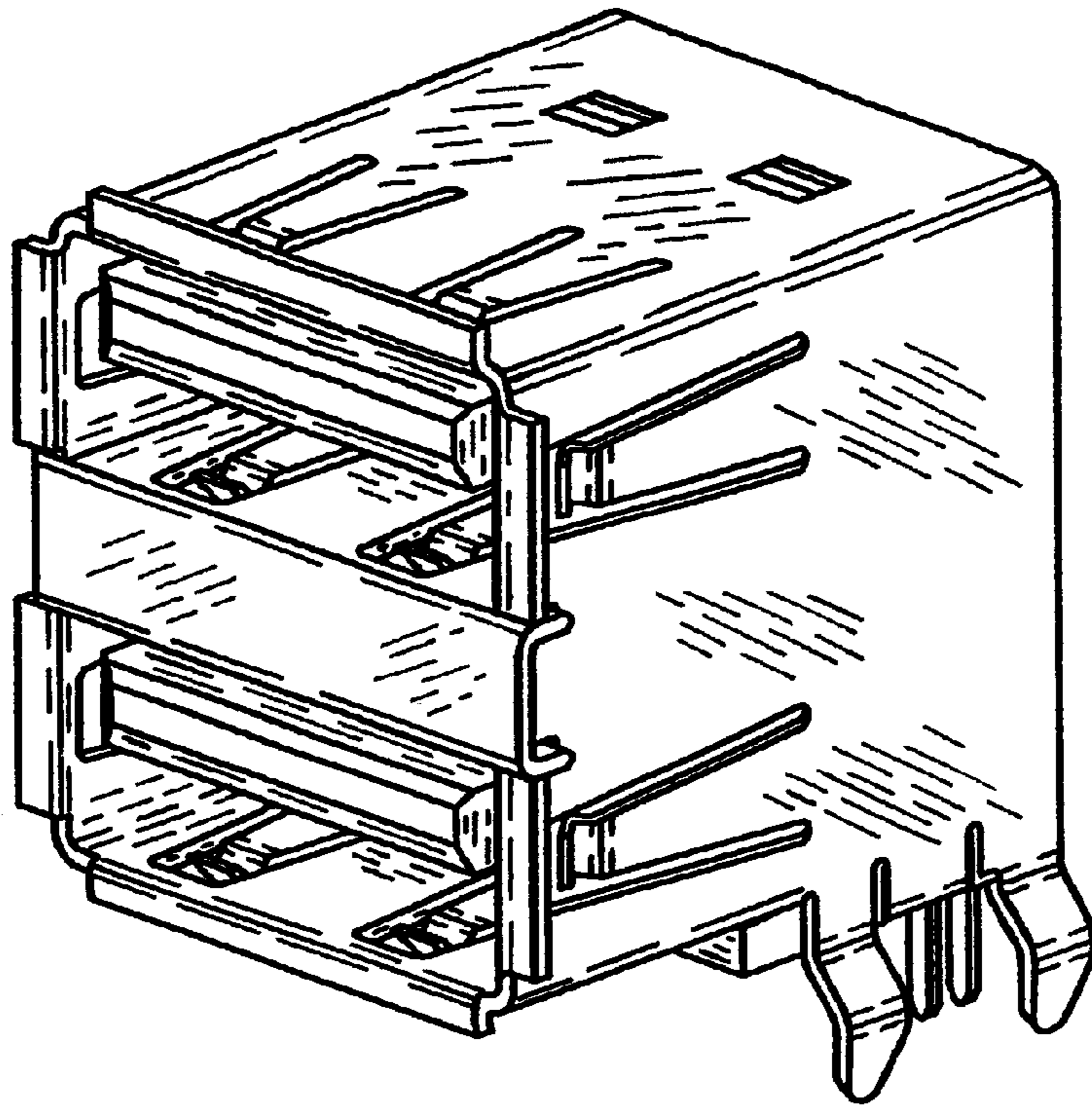
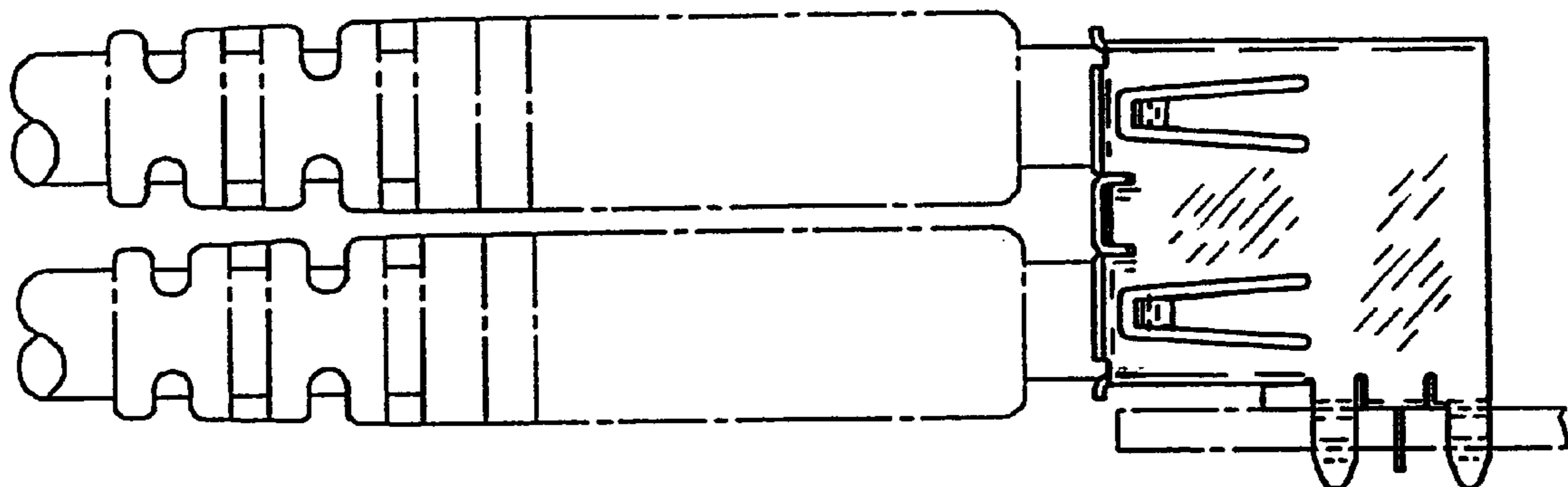


FIG. 8



UNITED STATES PATENT AND TRADEMARK OFFICE  
**CERTIFICATE OF CORRECTION**

PATENT NO. : Des. 520,953 S  
APPLICATION NO. : 29/205626  
DATED : May 16, 2006  
INVENTOR(S) : Moriwake et al.

Page 1 of 1

It is certified that error appears in the above-identified patent and that said Letters Patent is hereby corrected as shown below:

Title page.

Item [75], Inventors,

Line 1, replace "Izumiotu" by --Izumiotu-shi--;

Line 2, replace "Nissin" by --Nissin-shi--;

Under "OTHER PUBLICATIONS", item 56, col. 2

Line 10, after "Intel et al.", replace ":" by --;--;

Line 11, after "Specification", replace "9" by --8--;

after "2000", replace ":" by --;--;

Under "CLAIM",

Line 1, after "connector", delete --,--;

on title page item 56

Page 2.

Under "OTHER PUBLICATIONS",


Line 1, after "Design of", replace "UsB" by --USB--; col. 2

Line 2, after "1998", replace ":" by --;--; col. 2

Line 8, after "Material No.", replace "KNO9002518" by --HN09002518--. col. 2

Signed and Sealed this

Fifth Day of December, 2006

A handwritten signature in black ink on a dotted background. The signature reads "Jon W. Dudas" in a cursive style.

JON W. DUDAS

*Director of the United States Patent and Trademark Office*