

US00D520952S

(12) **United States Design Patent**
Oraha

(10) **Patent No.:** **US D520,952 S**

(45) **Date of Patent:** **** May 16, 2006**

(54) **SATELLITE TV SIGNAL-DIVIDER**

(76) **Inventor:** **Jahn M. Oraha**, 3011 W. Markham,
Little Rock, AR (US) 72205

(**) **Term:** **14 Years**

(21) **Appl. No.:** **29/185,109**

(22) **Filed:** **Jun. 24, 2003**

(51) **LOC (8) Cl.** **13-03**

(52) **U.S. Cl.** **D13/147**

(58) **Field of Classification Search** D13/123,
D13/133, 146, 147, 184, 199; 348/728, 844;
439/535, 540.1, 578-583

See application file for complete search history.

(56) **References Cited**

U.S. PATENT DOCUMENTS

D93,653 S	*	10/1934	Greenberg	D13/125
3,676,744 A	*	7/1972	Pennypacker	333/125
D234,693 S	*	4/1975	Oka	D13/125
D236,481 S	*	8/1975	Johnston	D13/156
4,241,353 A		12/1980	Salvat et al.		
4,712,110 A		12/1987	Branigan et al.		
D301,240 S	*	5/1989	Chino	D14/217
5,220,681 A		6/1993	Belgin		

D390,534 S	*	2/1998	Prucey	D13/146
D399,846 S	*	10/1998	Beggs	D14/217
5,914,863 A	*	6/1999	Shen	361/752
6,133,939 A	*	10/2000	Gresko et al.	725/127
D452,682 S	*	1/2002	Inoue	D13/151
D452,850 S	*	1/2002	Inoue	D13/151

* cited by examiner

Primary Examiner—Stella Reid

Assistant Examiner—Daniel Bui

(74) *Attorney, Agent, or Firm*—Richard L. Mikesell

(57) **CLAIM**

The design for a satellite TV signal-divider, as shown and described.

DESCRIPTION

FIG. 1 is a perspective view of a satellite TV signal-divider, showing my new design;

FIG. 2 is a left side elevation view thereof; the right side elevation view is a mirror image thereto;

FIG. 3 is a top plan view thereof; the bottom plan view is a mirror image thereto; and,

FIG. 4 is a front elevation view thereof; the rear elevation view is a mirror image thereto.

1 Claim, 1 Drawing Sheet

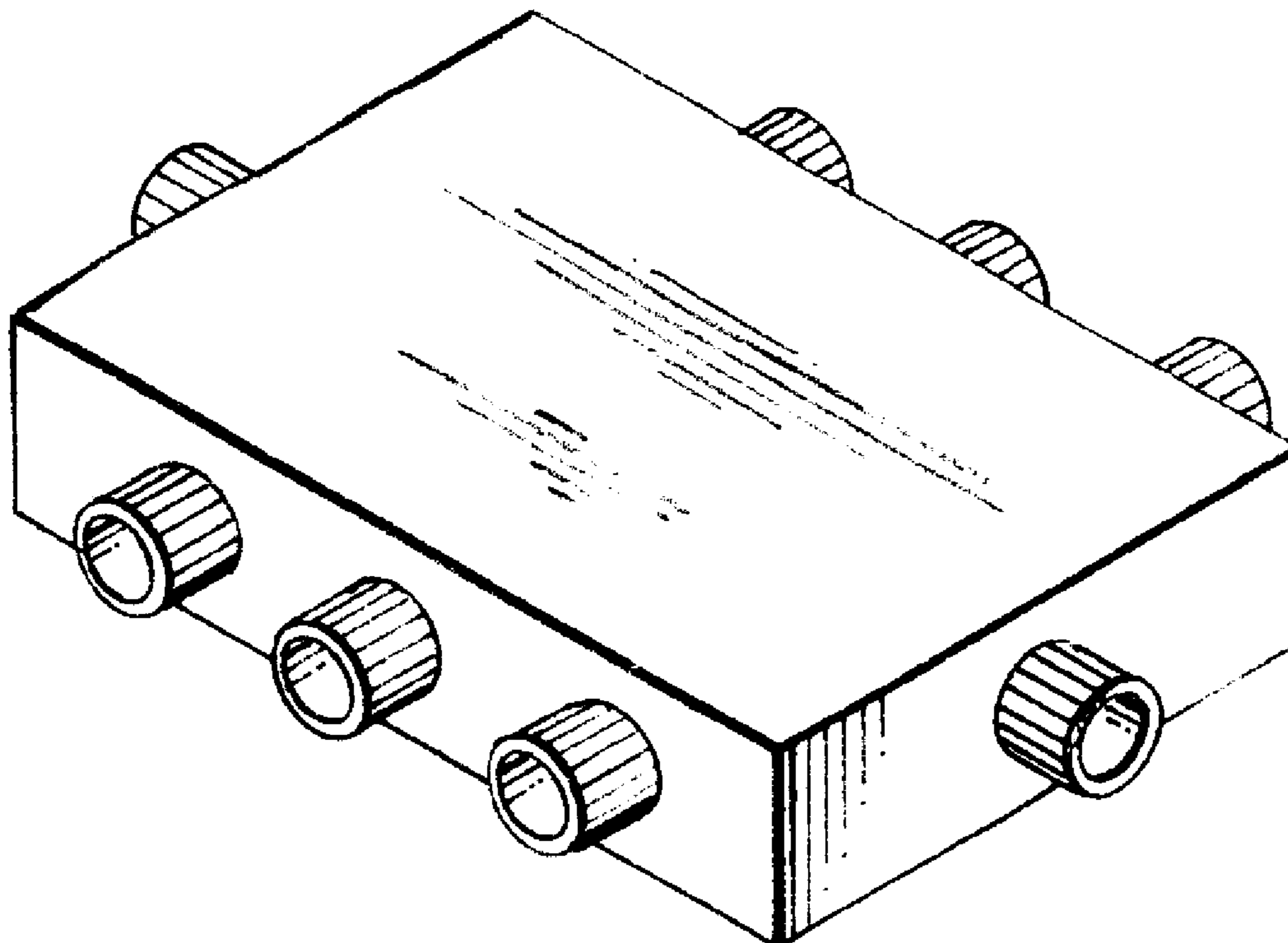


FIG. 1

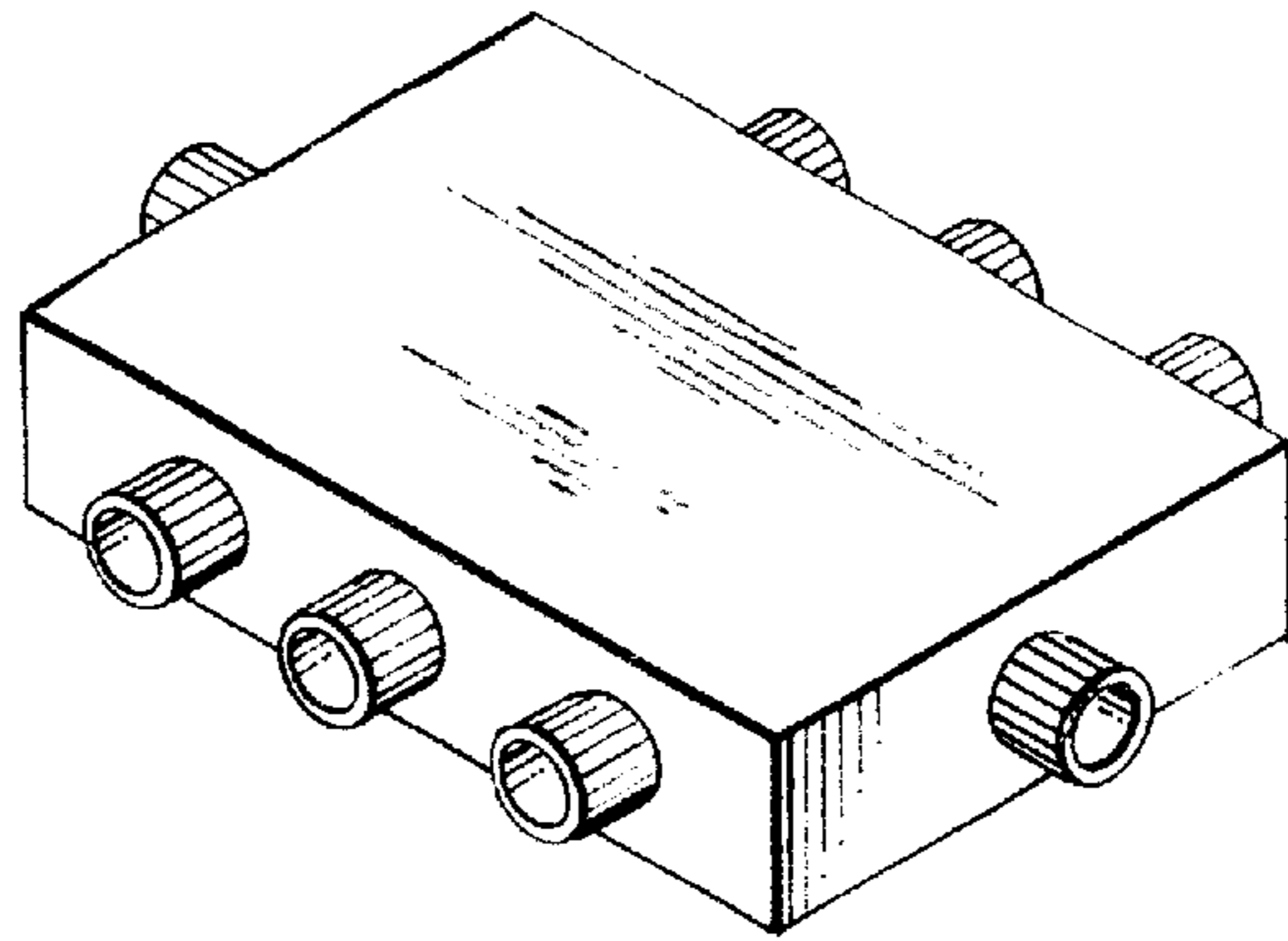


FIG. 2

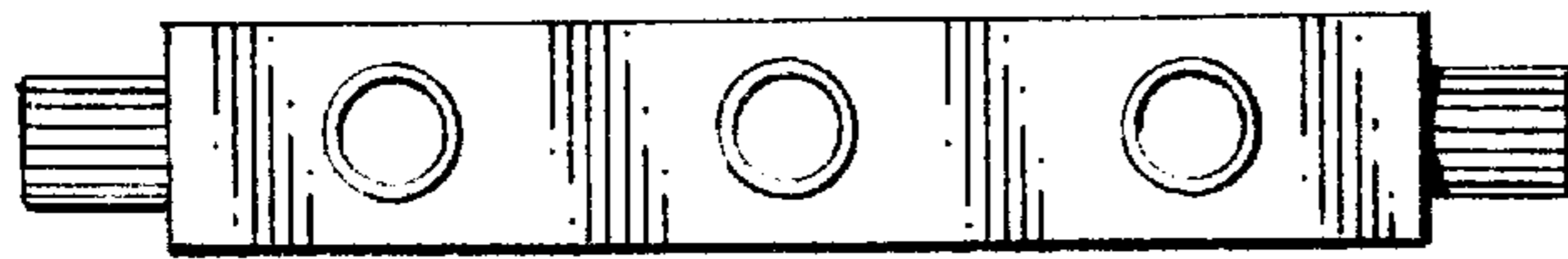


FIG. 3

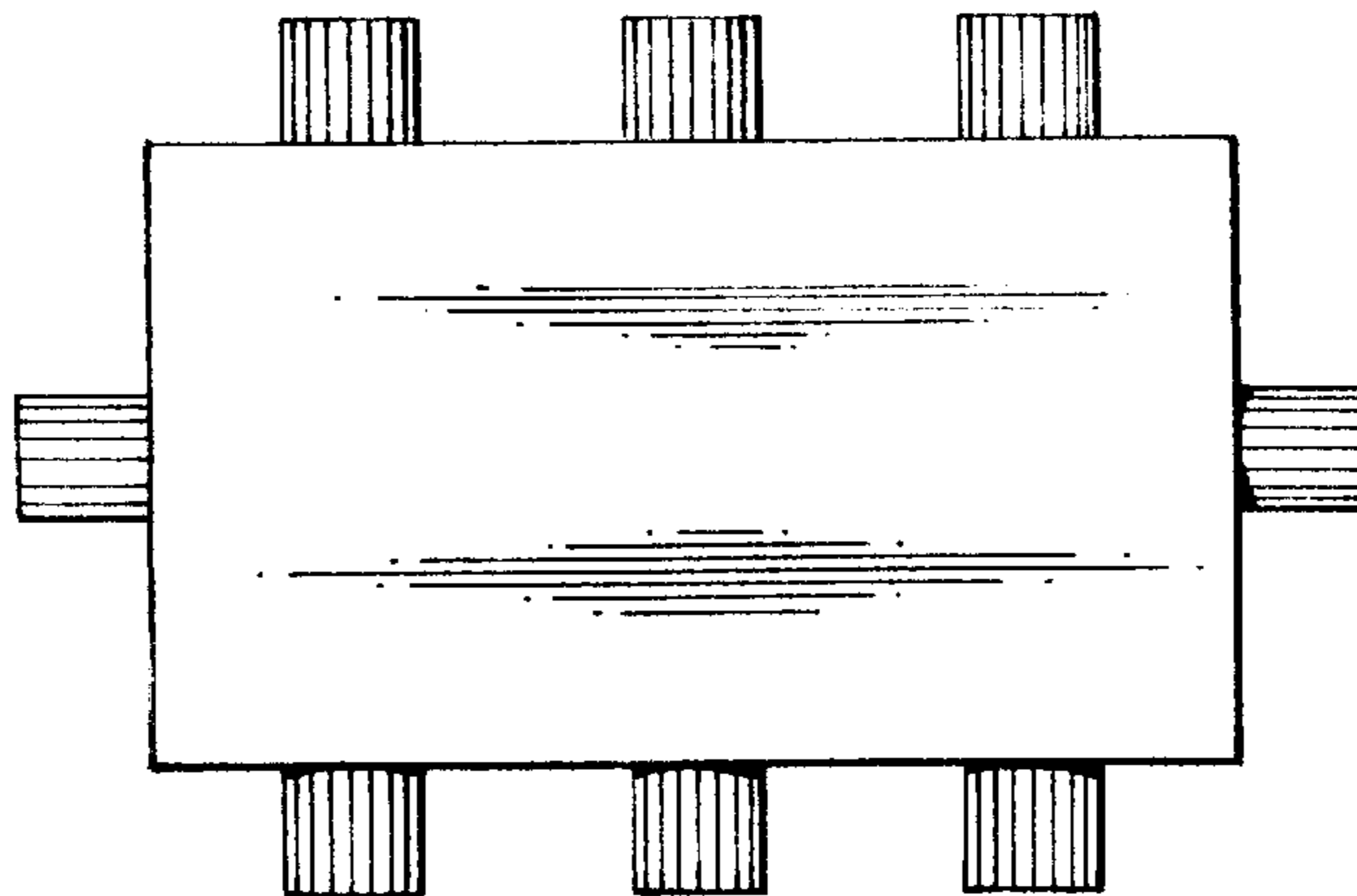


FIG. 4

