



US00D520951S

(12) **United States Design Patent** (10) **Patent No.:** **US D520,951 S**
Mori et al. (45) **Date of Patent:** **** May 16, 2006**

(54) **SURGE PROTECTOR**

(75) Inventors: **Kenneth Mori**, Los Angeles, CA (US);
John Wadsworth, Los Angeles, CA (US)

(73) Assignee: **Belkin Corporation**, Compton, CA (US)

(**) Term: **14 Years**

(21) Appl. No.: **29/222,925**

(22) Filed: **Feb. 4, 2005**

(51) **LOC (8) Cl.** **13-03**

(52) **U.S. Cl.** **D13/139.8**

(58) **Field of Classification Search** .. D13/137.1-139.8,
D13/124, 160, 162, 164, 178; 361/118, 119;
439/106-108, 188, 535, 650-654

See application file for complete search history.

(56) **References Cited**

U.S. PATENT DOCUMENTS

D368,893 S	*	4/1996	Harwood et al.	D13/139.8
D390,190 S	*	2/1998	Stekelenburg	D13/139.7
D399,825 S	*	10/1998	Heung et al.	D13/139.6
D401,221 S	*	11/1998	Dwight et al.	D13/139.6
D409,978 S	*	5/1999	Stekelenburg	D13/139.6
D435,515 S	*	12/2000	Stekelenburg	D13/139.6
D435,516 S	*	12/2000	Stekelenburg	D13/139.8
D443,250 S	*	6/2001	Lee	D13/139.8
D443,591 S	*	6/2001	Tong et al.	D13/139.8
D458,225 S	*	6/2002	Stekelenburg	D13/139.8
D467,875 S	*	12/2002	Barger et al.	D13/139.8
D473,190 S	*	4/2003	Fan	D13/139.8

OTHER PUBLICATIONS

10-socket SurgeMaster®Gold; Part # F9G1030-12; http://catalog.belkin.com/IWCatProductPage.process?Merchant_Id=&Section_Id=71&pcount=&Product_I;retrieved from the internet on Feb. 3, 2005.

8-Outlet Superior Series SurgeMaster®; Part # F9S823-06; http://catalog.belkin.com/IWCatProductPage.process?Merchant_Id=&Section_Id=71&pcount=&Product_I;retrieved from the internet on Feb. 3, 2005.

9-Socket SurgeMaster®Gold Series; Part # F9G933-10; http://catalog.belkin.com/IWCatProductPage.process?Merchant_Id=&Section_Id=71&pcount=&Product_I;retrieved from the internet on Feb. 3, 2005.

7-Socket SurgeMaster®Home Series; Part # F9H702-06; http://catalog.belkin.com/IWCatProductPage.process?Merchant_Id=&Section_Id=71&pcount=&Product_I;retrieved from the internet on Feb. 3, 2005.

6-Socket Wall Mount Maximum Series; Part # F9M623-CW; http://catalog.belkin.com/IWCatProductPage.process?Merchant_Id=&Section_Id=71&pcount=&Product_I;retrieved from the internet on Feb. 3, 2005.

(Continued)

Primary Examiner—Alan P. Douglas
Assistant Examiner—Rosemary K. Tarcza
(74) *Attorney, Agent, or Firm*—Bryan Cave LLP

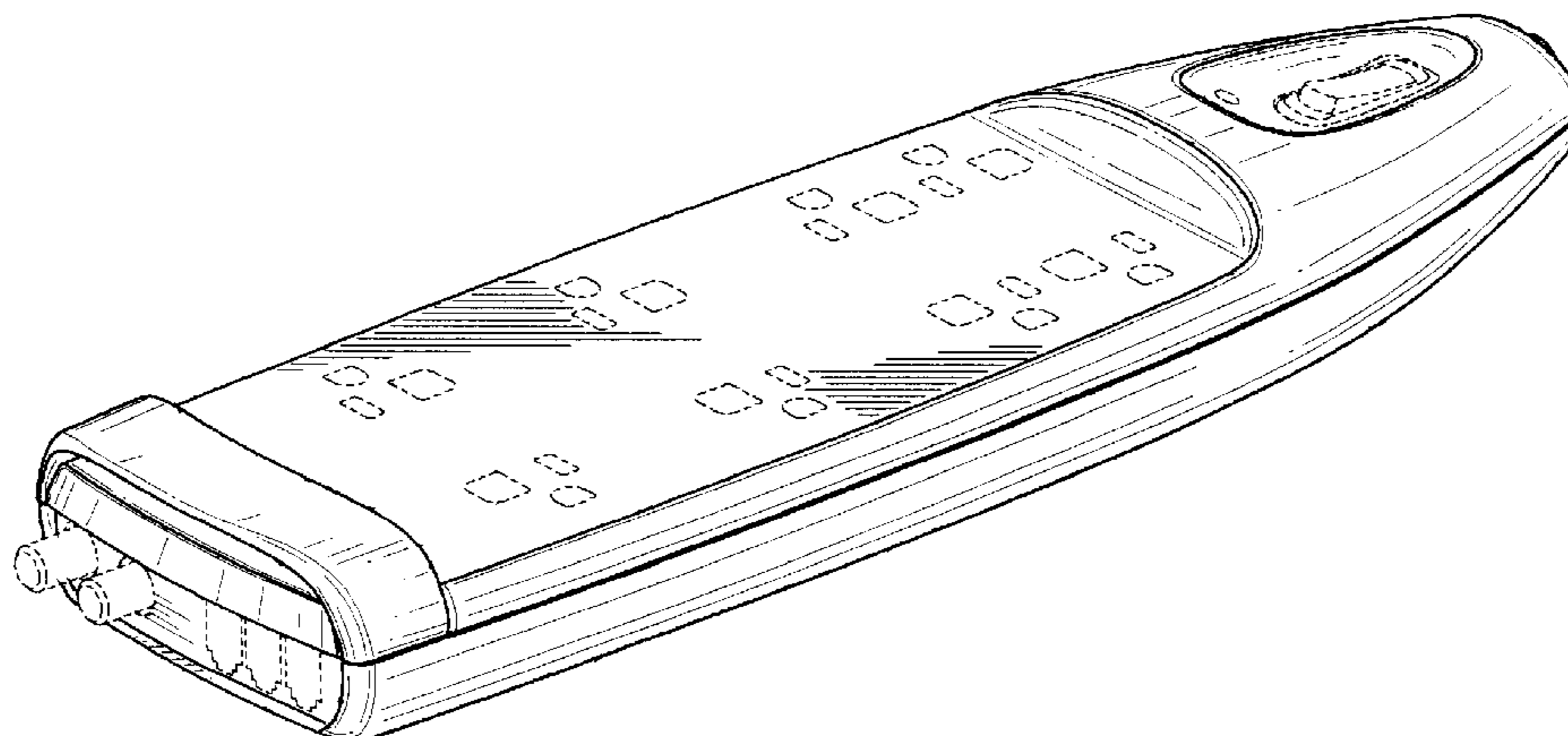
(57) **CLAIM**

We claim the ornamental design for a surge protector, as shown and described.

DESCRIPTION

FIG. 1 is a top view of the surge protector;
FIG. 2 is a bottom view thereof;
FIG. 3 is a front elevational view thereof;
FIG. 4 is a rear elevational view thereof;
FIG. 5 is a right side elevational view thereof, the left side elevational view being a mirror image of the right side elevational view;
FIG. 6 is a front, right, top perspective view thereof; and,
FIG. 7 is a rear, left, top perspective view thereof.
The broken lines in the drawings are for illustrative purposes only and form no part of the claimed design.

1 Claim, 2 Drawing Sheets



OTHER PUBLICATIONS

6-Outlet SurgeMaster®; Part # F5C206-TEL; http://catalog.belkin.com/IWCatProductPage.process?Merchant_Id=&Section_Id=71&pcount=&Product_I;retrieved from the internet on Feb. 3, 2005.

The isolator with Power Filter Technology; Part # F5C940-TEL; http://catalog.belkin.com/IWCatProductPage.process?Merchant_Id=&Section_Id=71&pcount=&Product_I;retrieved from the internet on Feb. 3, 2005.

8-Outlet SurgeMaster®II ; Part # F5C595-TEL-IM; http://catalog.belkin.com/IWCatProductPage.process?Merchant_Id=&Section_Id=71&pcount=&Product_I;retrieved from the internet on Feb. 3, 2005.

5-Socket Under Monitor Power Center Home Series; Part # F5H520-06; http://catalog.belkin.com/IWCatProductPage.process?Merchant_Id=&Section_Id=71&pcount=&Product_I;retrieved from the internet on Feb. 3, 2005.

6-Outlet SurgeStrip™; Part # F5C046c; http://catalog.belkin.com/IWCatProductPage.process?Merchant_Id=&Section_Id=71&pcount=&Product_I;retrieved from the internet on Feb. 3, 2005.

4-Outlet Home Series SurgeStrip; Part # F9H401-03; http://catalog.belkin.com/IWCatProductPage.process?Merchant_Id=&Section_Id=71&pcount=&Product_I;retrieved from the internet on Feb. 3, 2005.

* cited by examiner

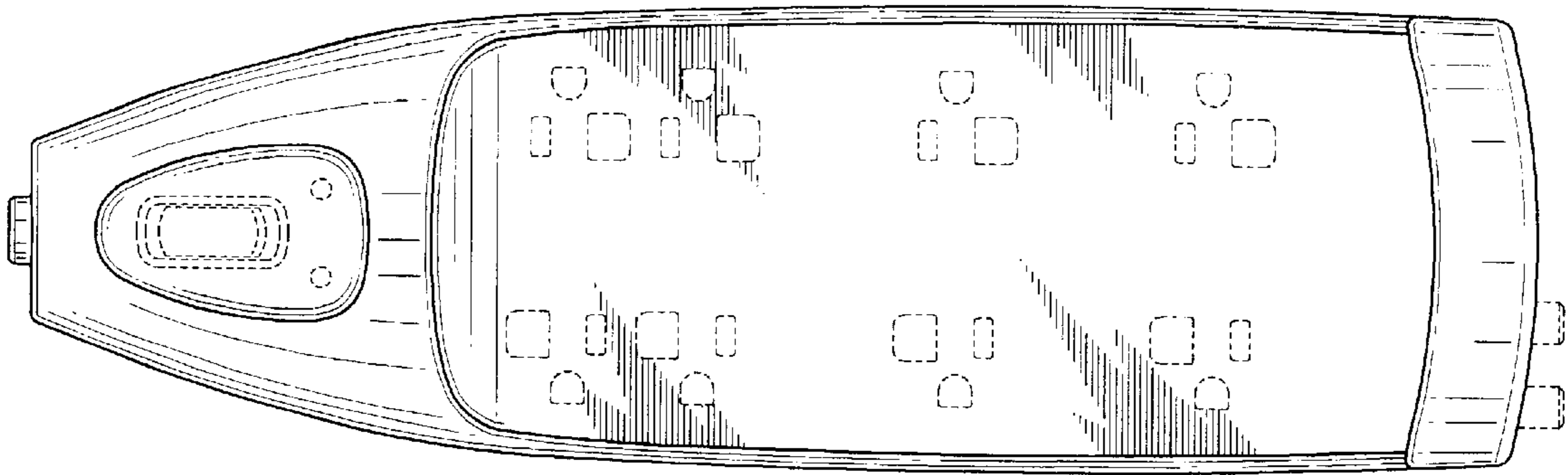


FIG. 1

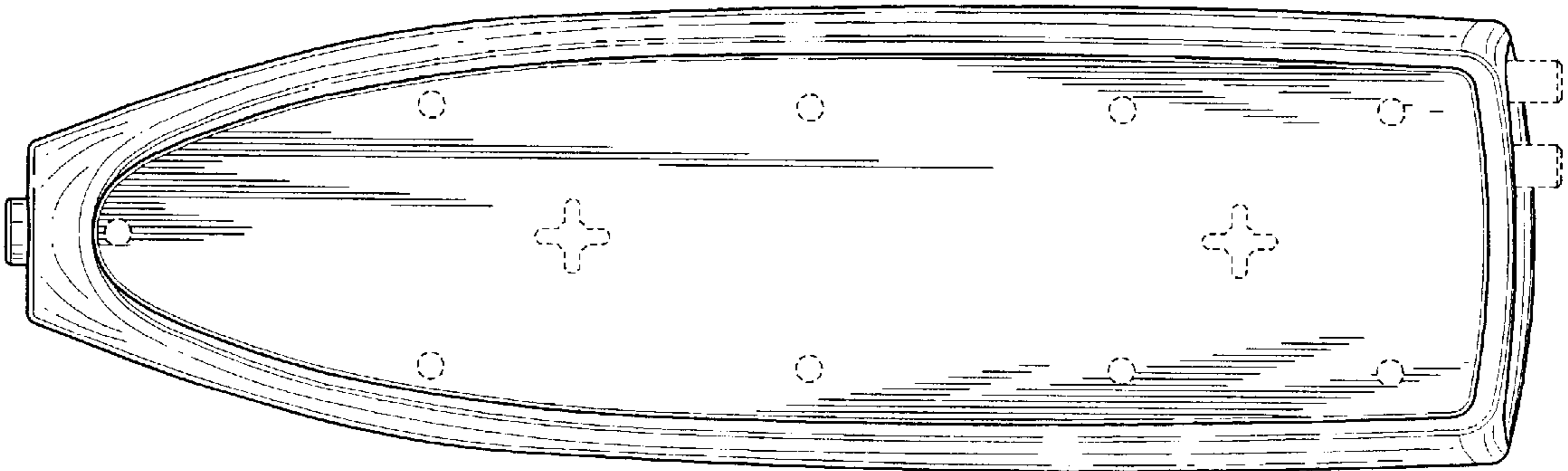


FIG. 2

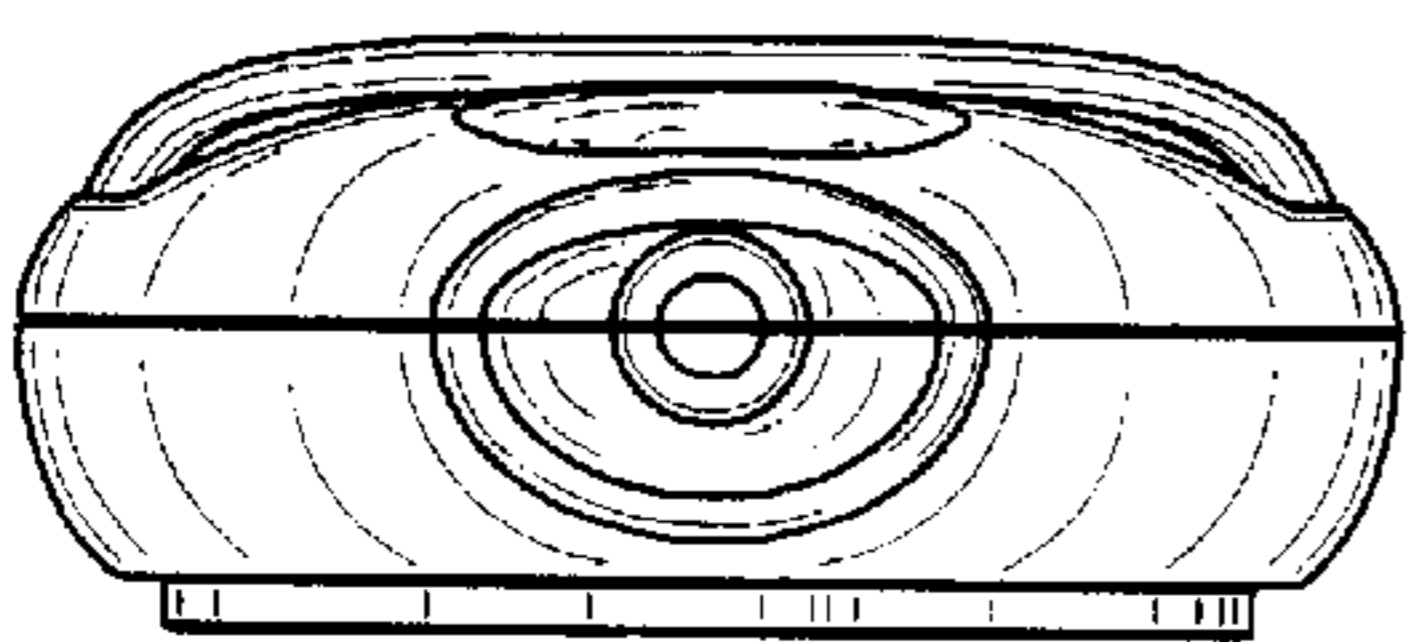


FIG. 3

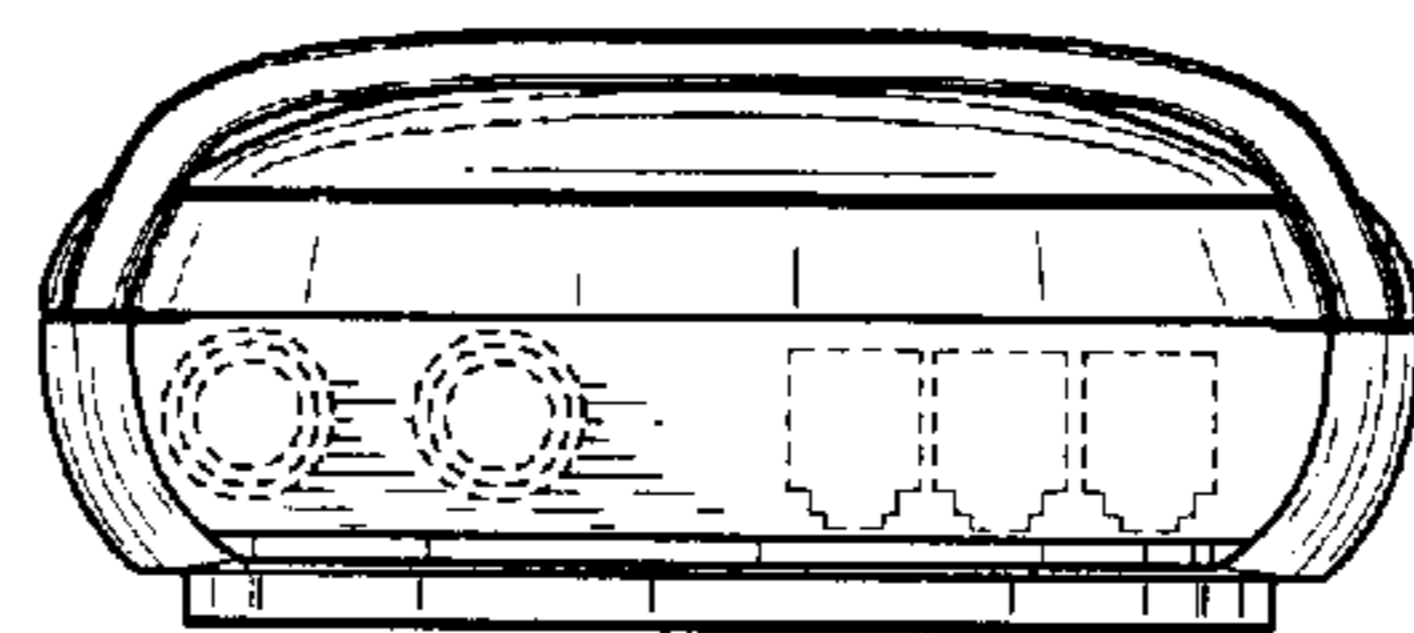


FIG. 4

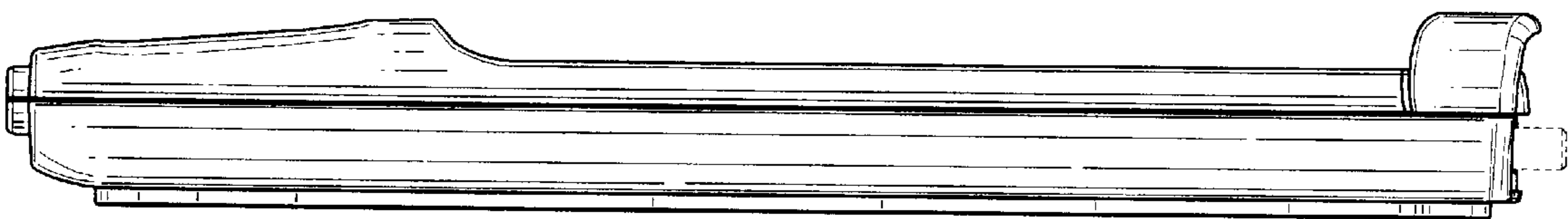


FIG. 5

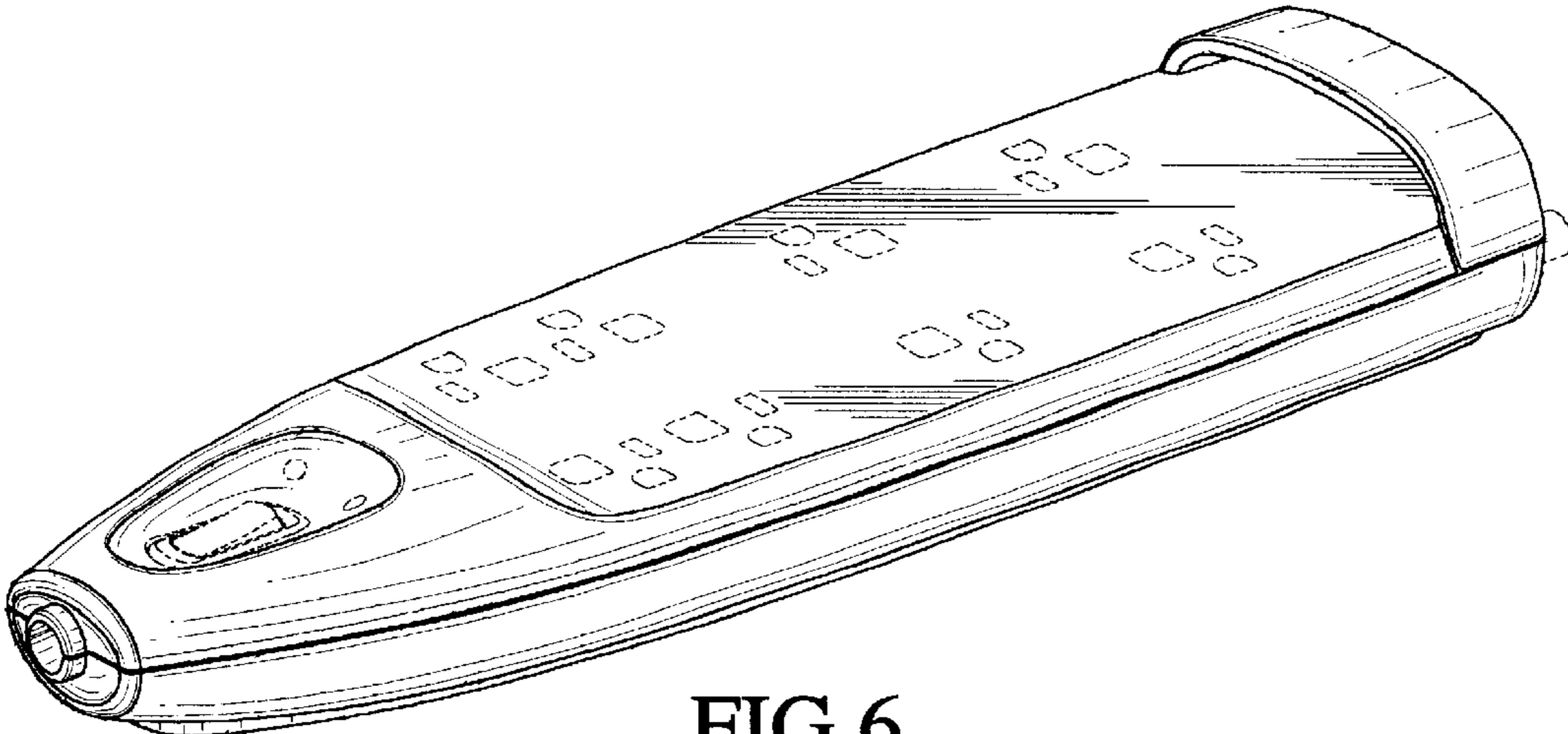


FIG. 6

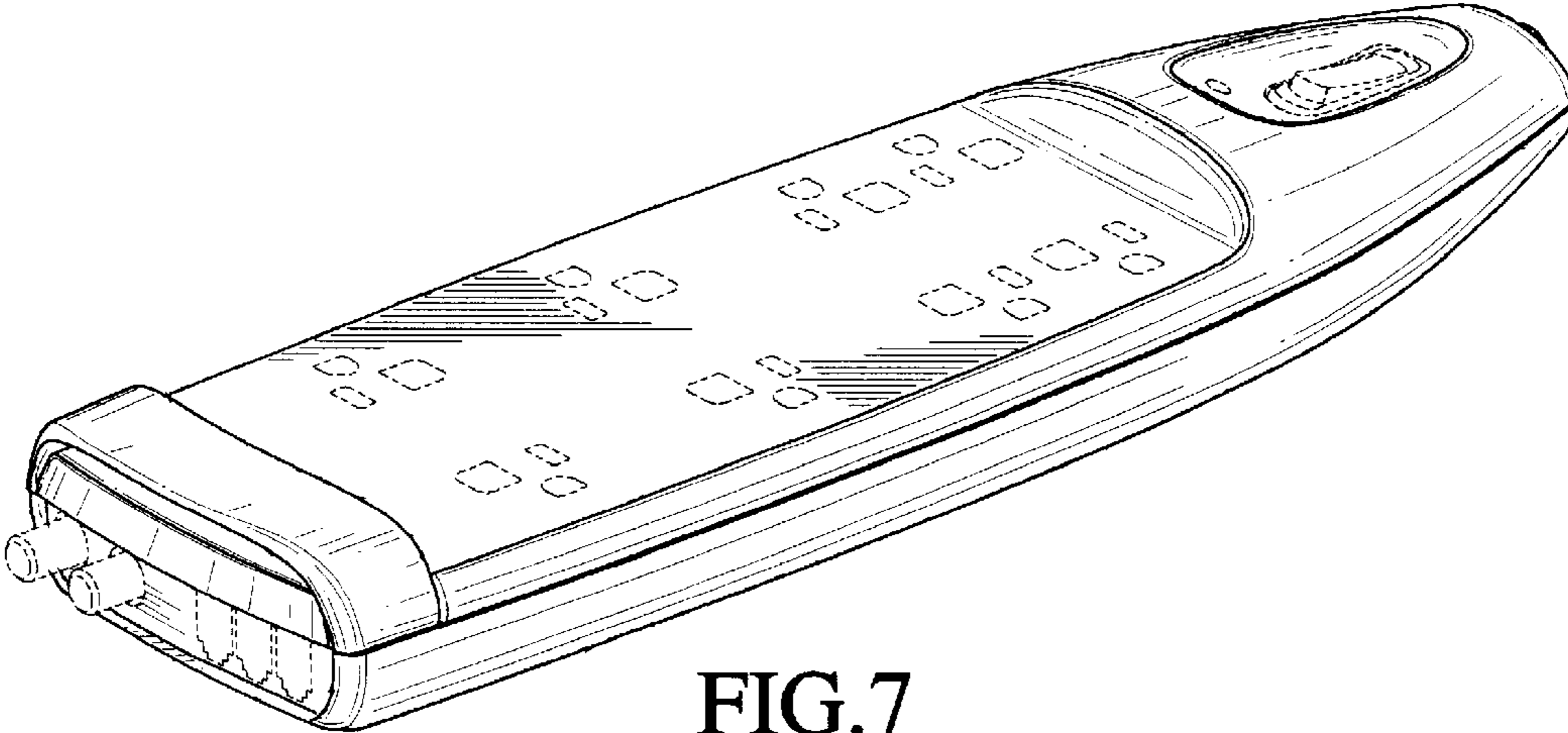


FIG. 7