

US00D520949S

(12) **United States Design Patent**
Wirth

(10) **Patent No.:** **US D520,949 S**

(45) **Date of Patent:** **** May 16, 2006**

(54) **TOOL-LESS TERMINAL CONNECTOR FOR
SIDE MOUNT-TYPE BATTERY**

(75) **Inventor:** **Steven E. Wirth**, Bloomington, MN
(US)

(73) **Assignee:** **WirthCo Engineering, Inc.**,
Minneapolis, MN (US)

(**) **Term:** **14 Years**

(21) **Appl. No.:** **29/227,006**

(22) **Filed:** **Apr. 6, 2005**

Related U.S. Application Data

(62) Division of application No. 29/193,391, filed on Nov. 7,
2003, now Pat. No. Des. 508,021.

(51) **LOC (8) Cl.** **13-03**

(52) **U.S. Cl.** **D13/120**

(58) **Field of Classification Search** D8/307-312,
D8/70, 80, 349-55; D23/250-254; D15/140;
403/239, 256; 439/504, 754, 766, 755; 429/121
See application file for complete search history.

(56) **References Cited**

U.S. PATENT DOCUMENTS

1,989,083	A	*	1/1935	Dahnken et al.	403/288
D127,735	S	*	6/1941	Dreyfuss	D23/250
3,096,678	A	*	7/1963	Devine et al.	411/64
3,167,292	A	*	1/1965	Meyerowitz	248/230.1
D206,522	S	*	12/1966	Stephenson et al.	D8/307
D269,409	S	*	6/1983	Ferdinand et al.	D8/307
4,673,240	A		6/1987	Byfield, Jr.		
D292,608	S	*	11/1987	Gomez	D23/254

4,797,111	A	*	1/1989	Ackmann	439/755
D365,009	S	*	12/1995	Lenberg	D8/307
D397,091	S		8/1998	Wirth		
D411,552	S	*	6/1999	Miles	D15/140
D454,479	S	*	3/2002	Kolpin	D8/349

* cited by examiner

Primary Examiner—Alan P. Douglas

Assistant Examiner—Susan M Lee

(74) *Attorney, Agent, or Firm*—Charles A. Lemaire;
Lemaire Patent Law Firm, P.L.L.C.

(57) **CLAIM**

The ornamental design for a tool-less terminal connector for
side mount-type battery, as shown.

DESCRIPTION

FIG. 1 is a bottom left isometric view of a first embodiment
of my new design;

FIG. 2 is a plan view thereof as viewed along section lines
12—12 of FIG. 3;

FIG. 3 is a left side elevational view thereof, the right side
elevational view being identical, but reversed end for end;

FIG. 4 is a right end view thereof;

FIG. 5 is a left end view thereof;

FIG. 6 is a bottom left isometric view of a second embodi-
ment of my new design;

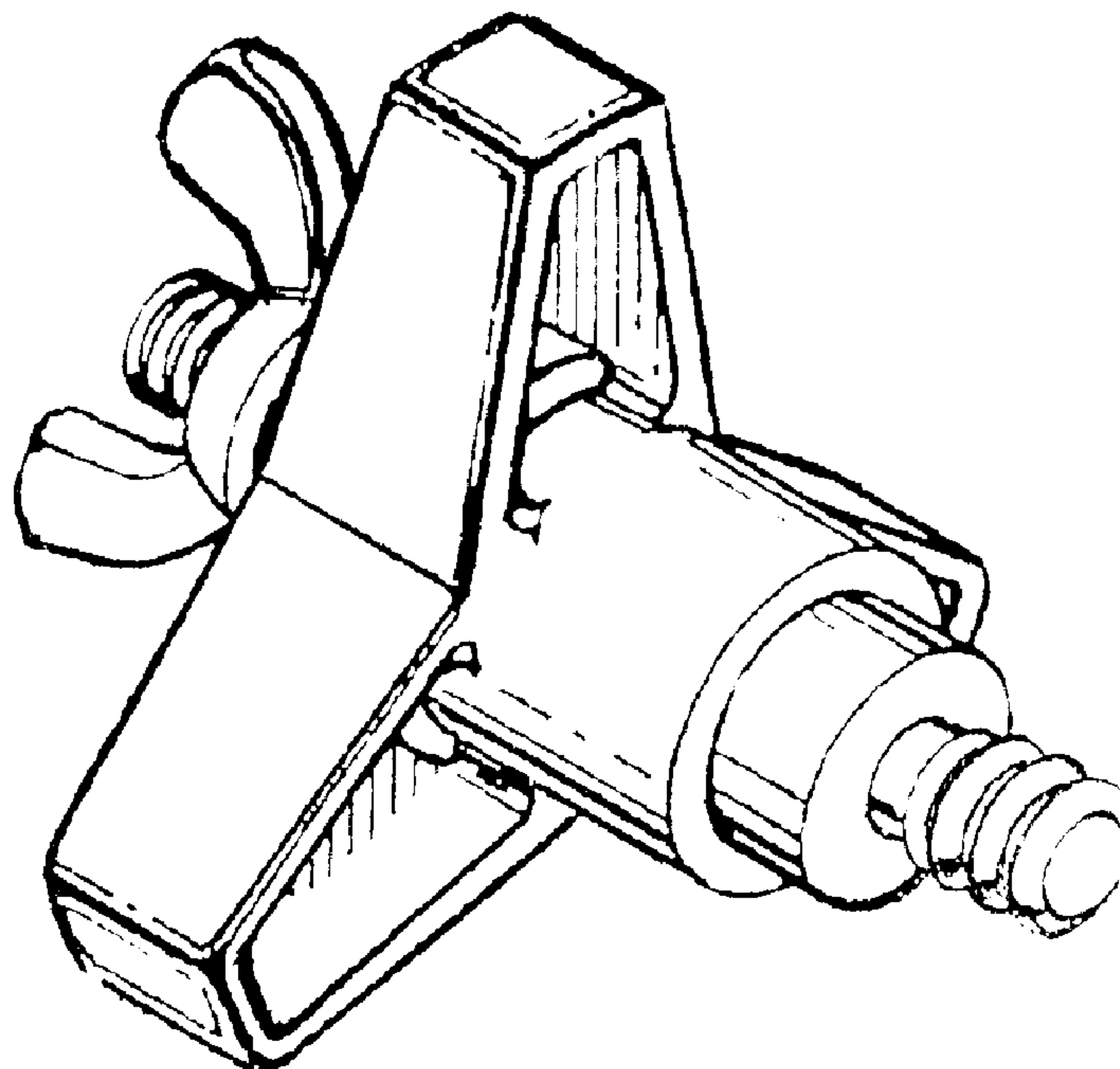
FIG. 7 is a plan view thereof as viewed along section lines
17—17 of FIG. 8;

FIG. 8 is a left side elevational view thereof, the right side
elevational view being identical, but reversed end for end;

FIG. 9 is a right end view thereof; and,

FIG. 10 is a left end view thereof.

1 Claim, 2 Drawing Sheets



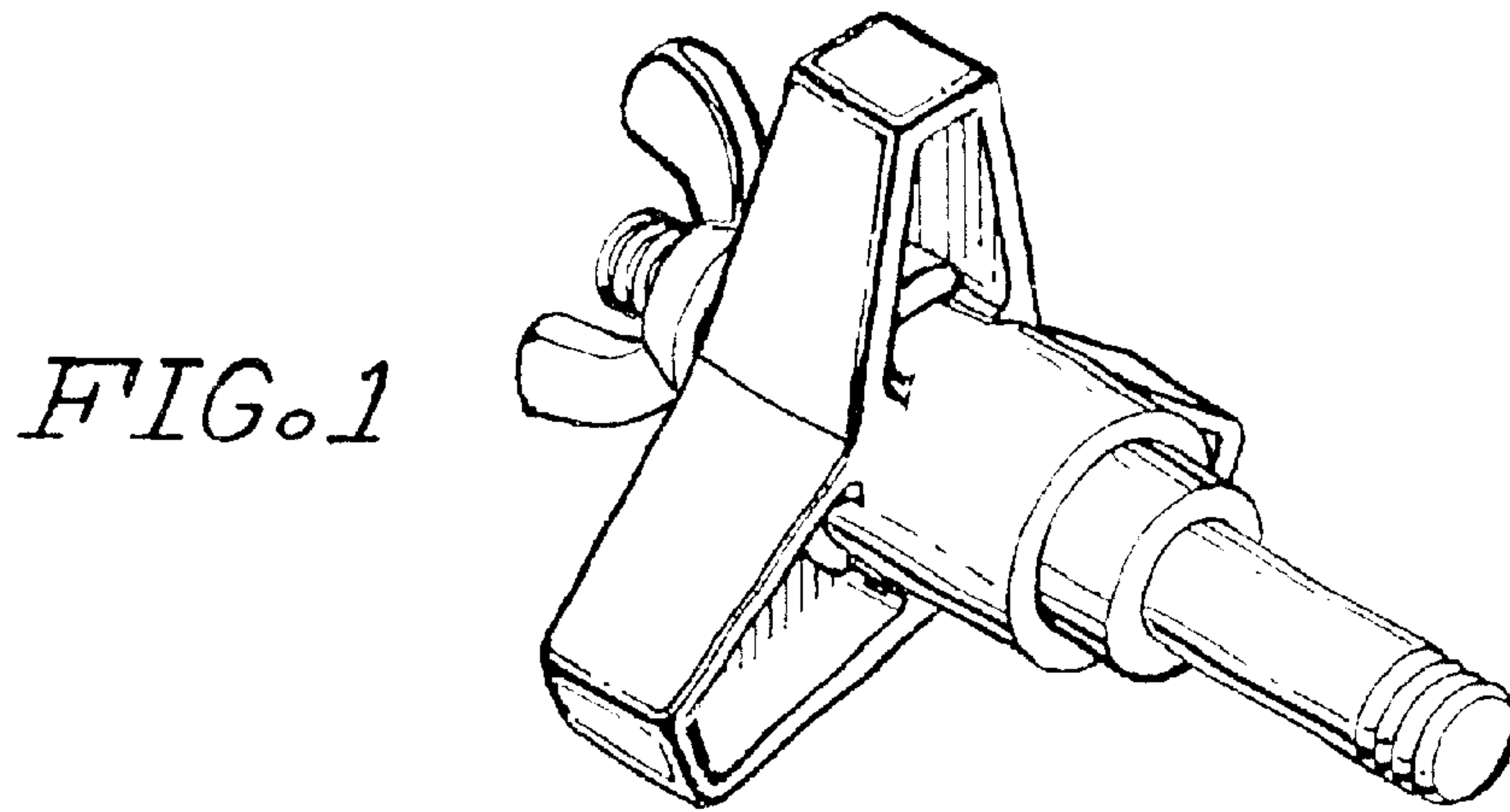


FIG. 2

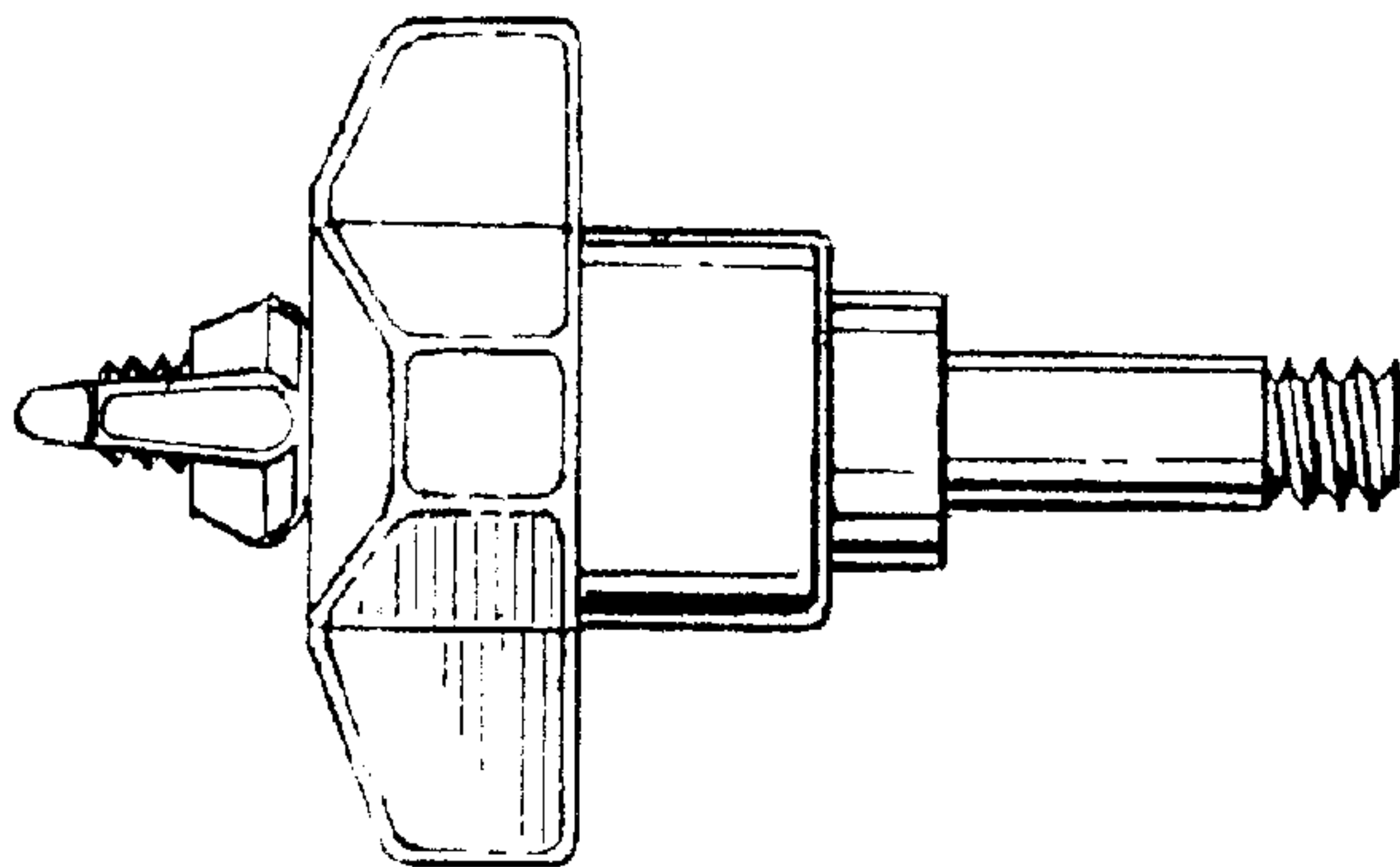


FIG. 4

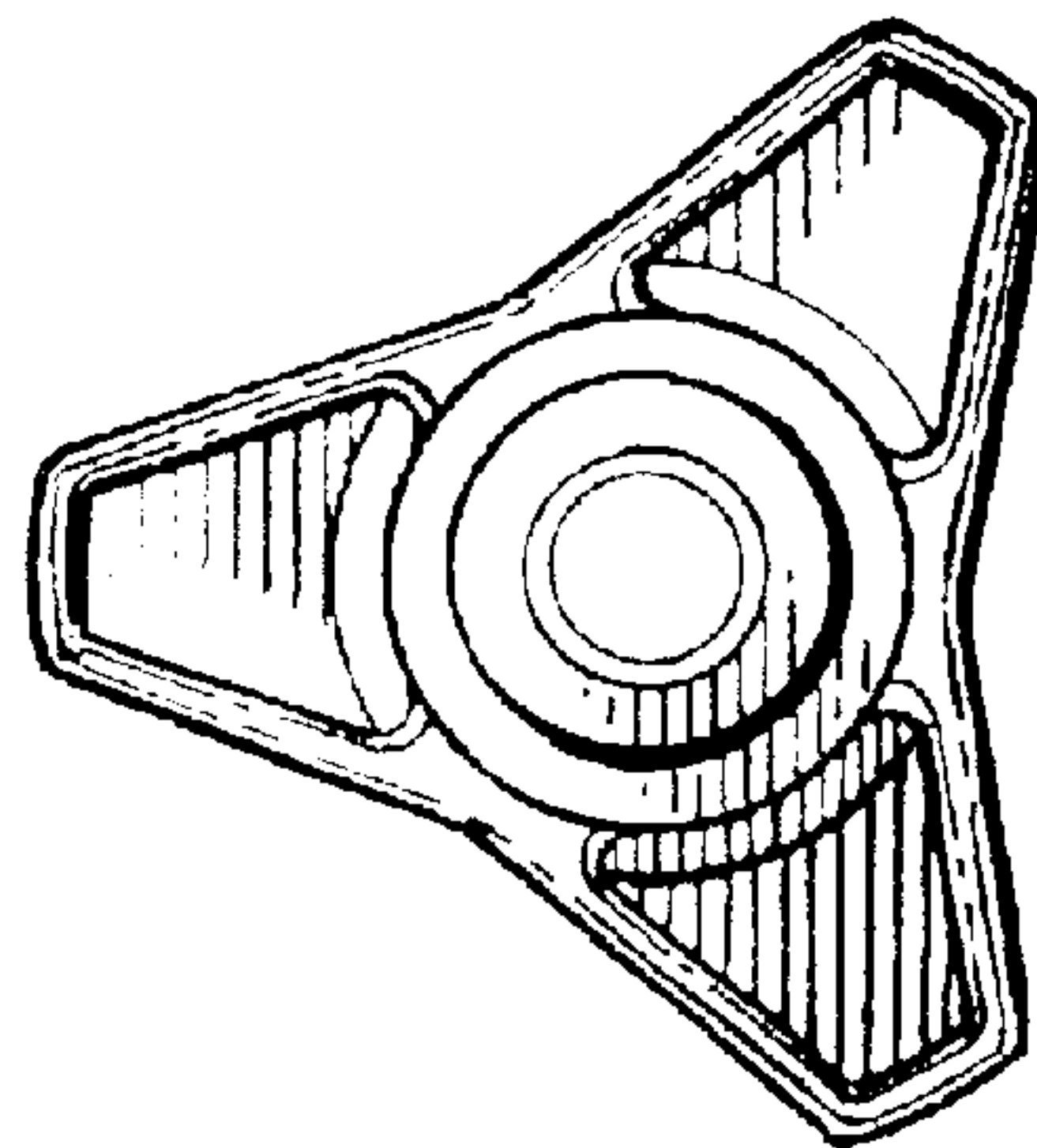


FIG. 5

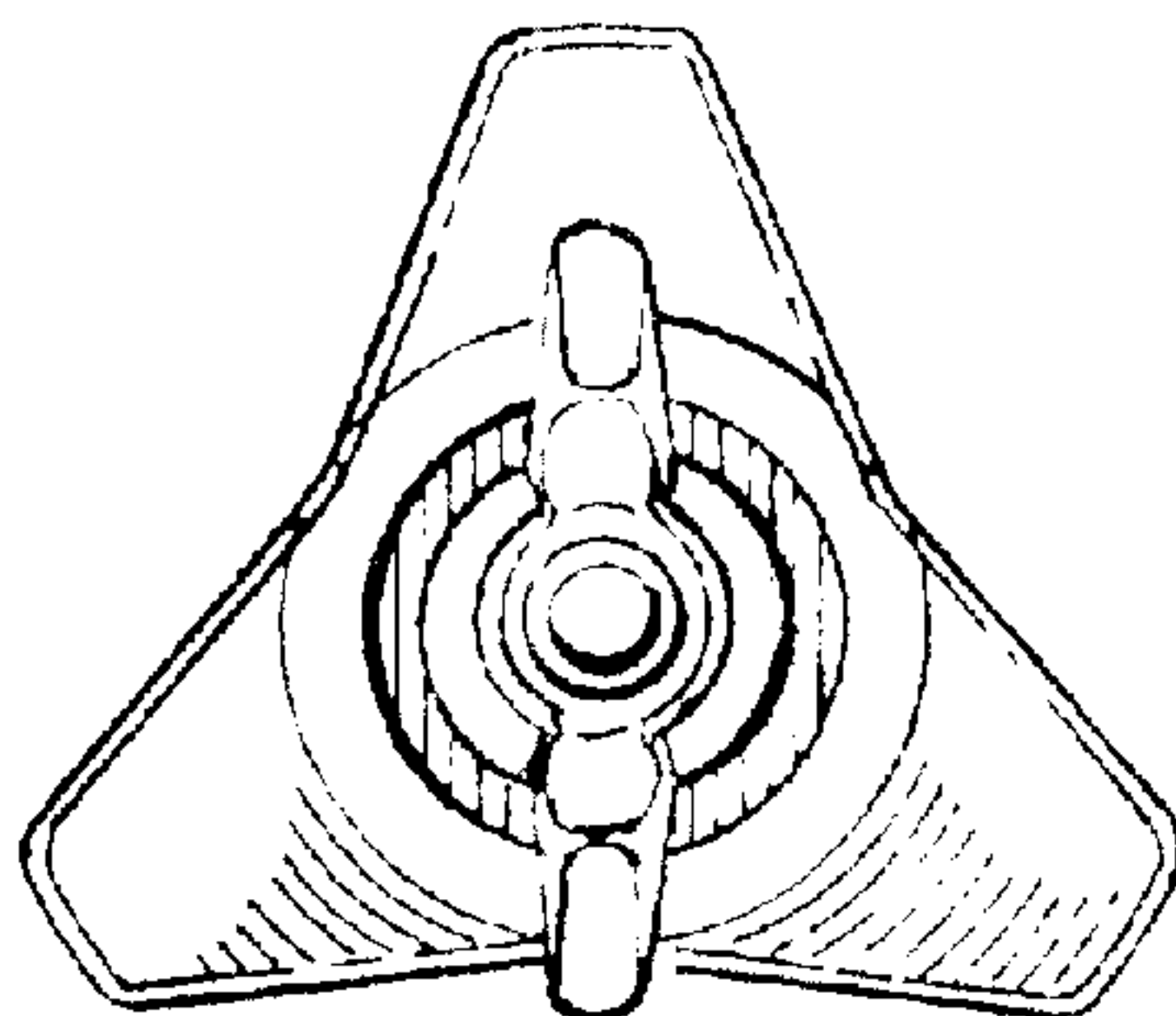
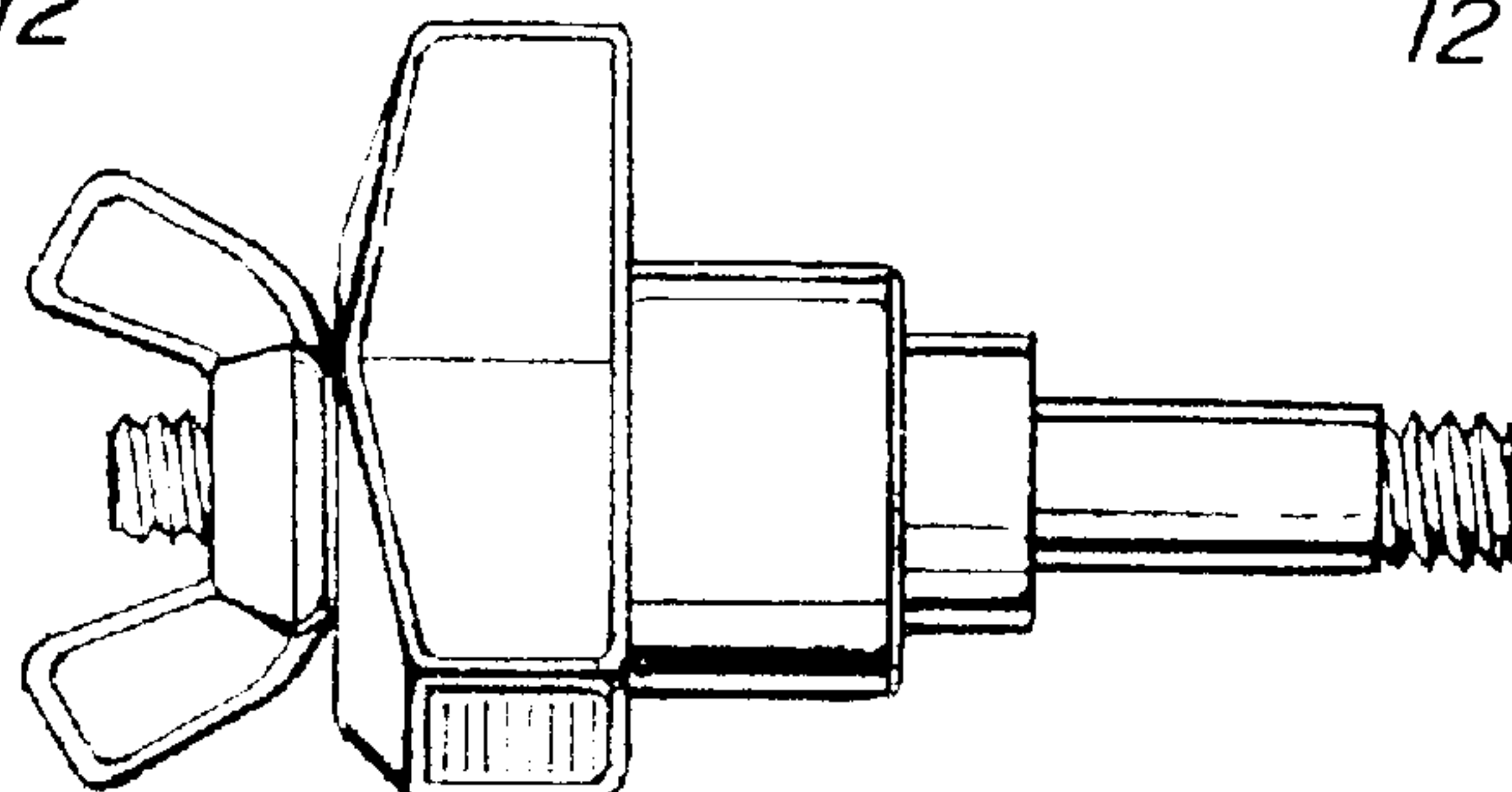


FIG. 3



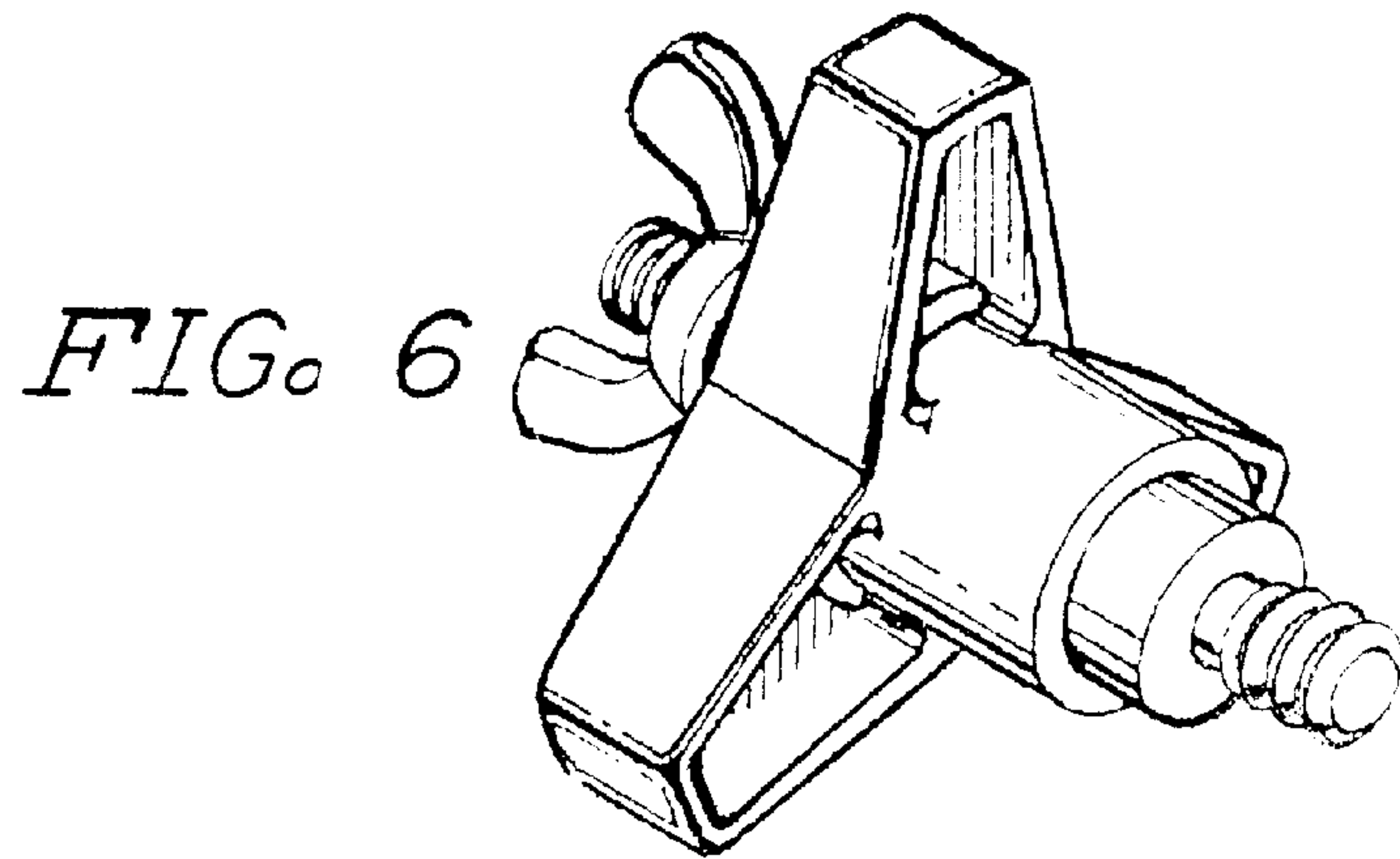


FIG. 7

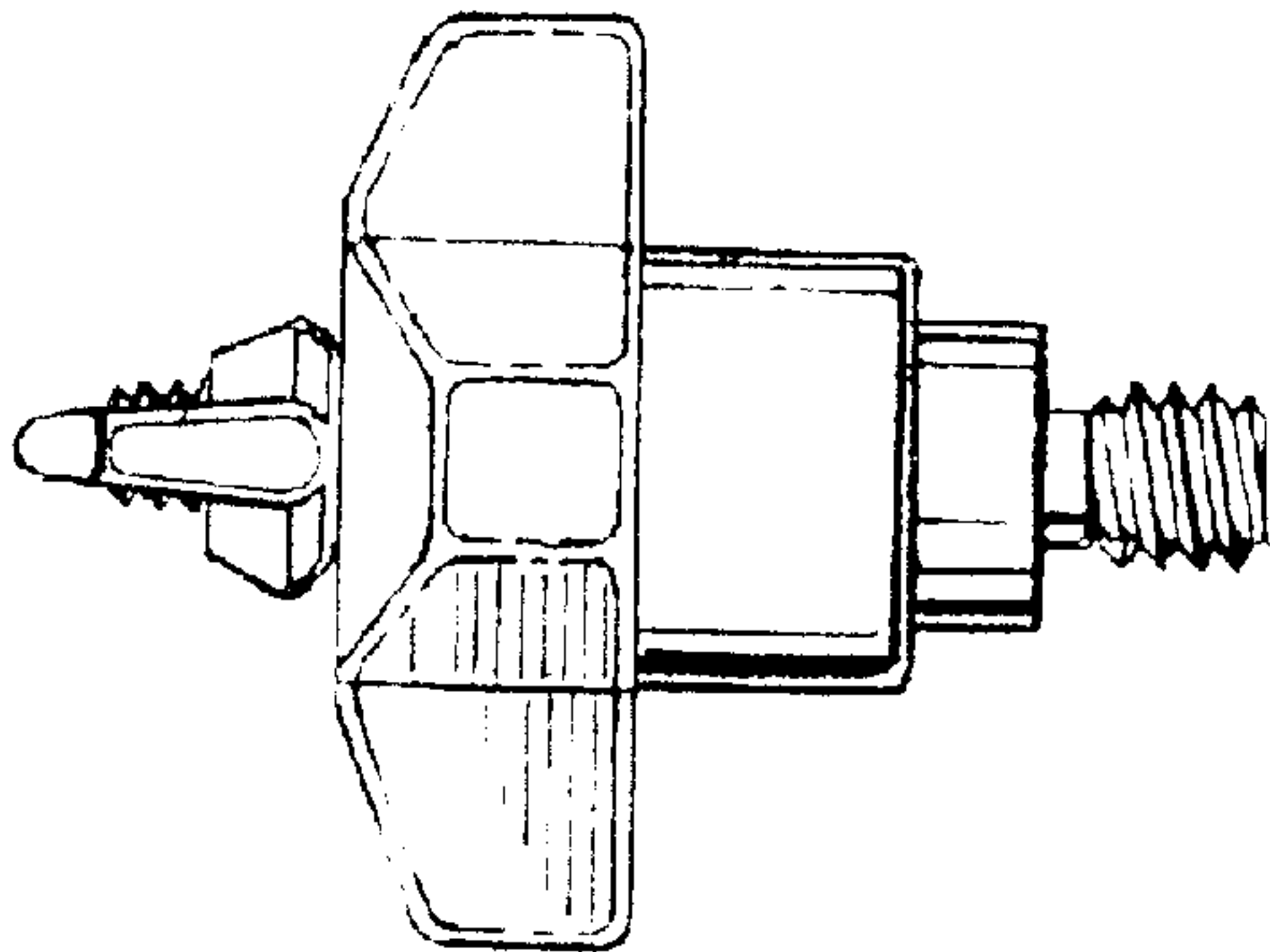


FIG. 9

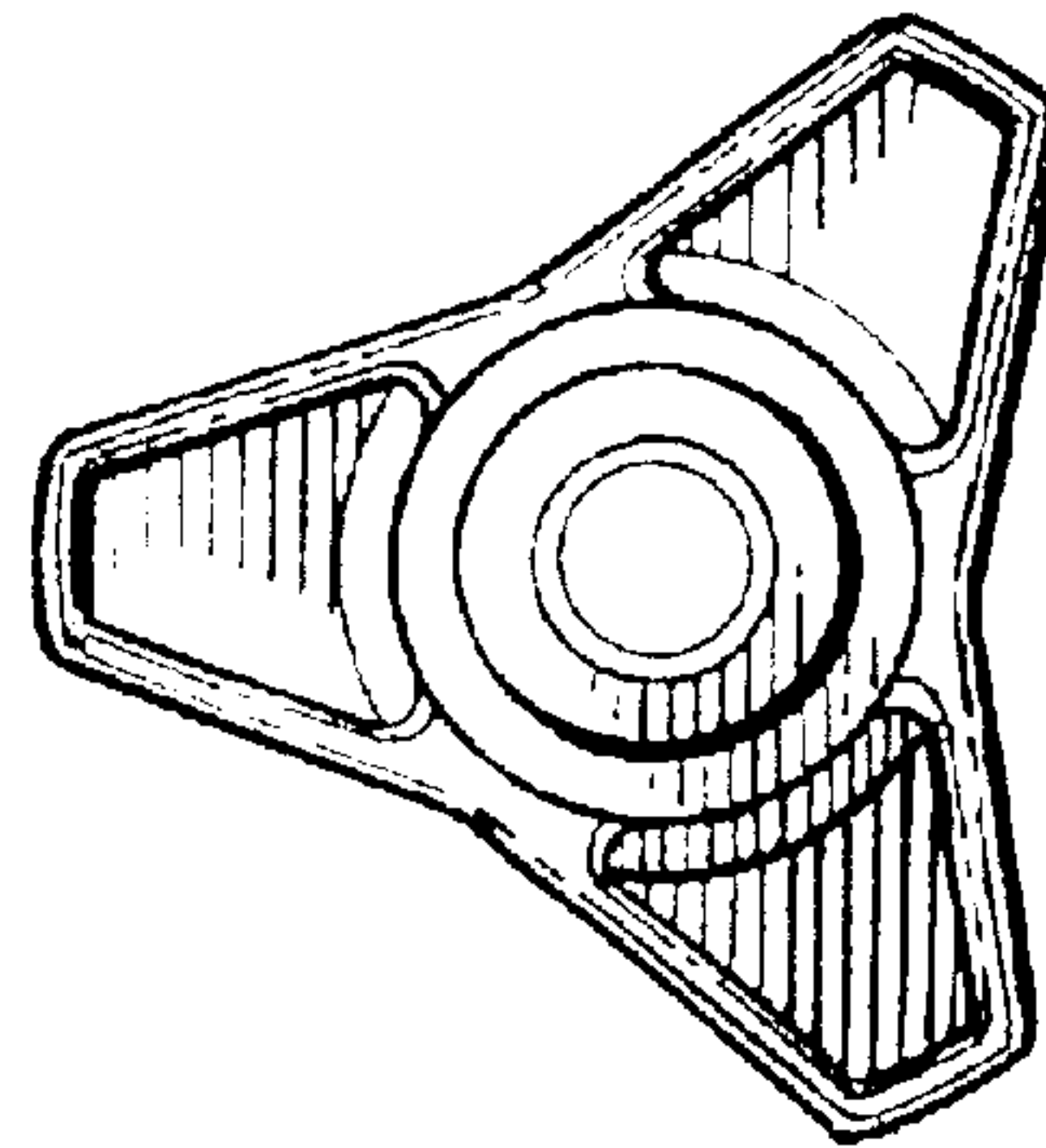


FIG. 10

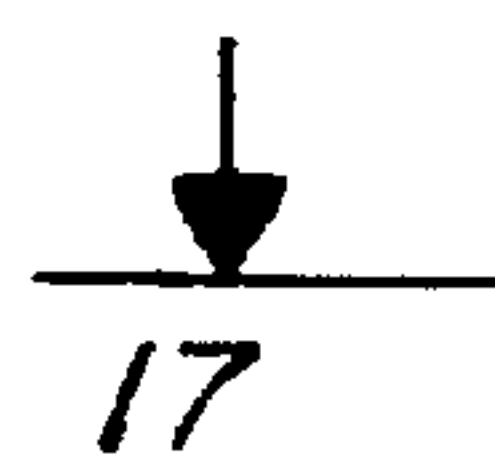
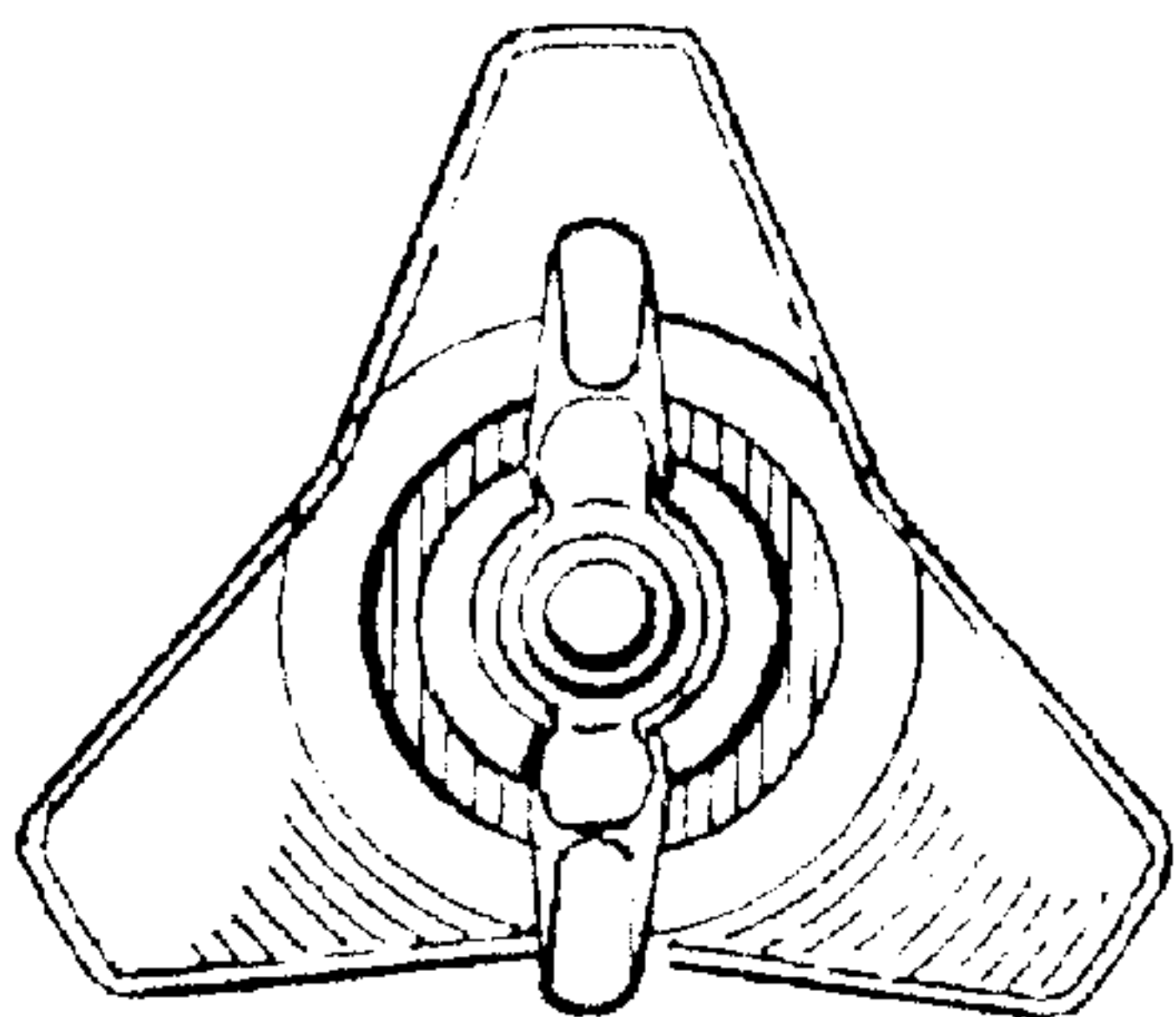


FIG. 8

