



US00D520948S

(12) **United States Design Patent** (10) **Patent No.:** **US D520,948 S**
Xiao (45) **Date of Patent:** **** May 16, 2006**

(54) **INVERTER GENERATOR**

(75) Inventor: **Henglin Xiao**, Wuxi (CN)

(73) Assignee: **Wuxi Kipor Power Co., Ltd.**, Jiangsu Province (CN)

(**) Term: **14 Years**

(21) Appl. No.: **29/236,200**

(22) Filed: **Aug. 12, 2005**

Related U.S. Application Data

(62) Division of application No. 29/204,358, filed on Apr. 28, 2004.

(30) **Foreign Application Priority Data**

Oct. 28, 2003	(CN)	200330111565X
Mar. 10, 2004	(CN)	2004300207502
Mar. 10, 2004	(CN)	2004300207521

(51) **LOC (8) Cl.** **13-01**

(52) **U.S. Cl.** **D13/116**

(58) **Field of Classification Search** D13/110, D13/112, 114, 116; 290/1 A, 1 B; 307/64, 307/150, 151; 123/2, 3

See application file for complete search history.

(56) **References Cited**

U.S. PATENT DOCUMENTS

D417,651 S	*	12/1999	Ohsumi	D13/116
6,091,160 A	*	7/2000	Kouchi et al.	290/1 A
D437,825 S	*	2/2001	Imai	D13/116
D477,569 S	*	7/2003	Iwatate et al.	D13/116
D478,043 S	*	8/2003	Iwatate et al.	D13/116

* cited by examiner

Primary Examiner—Prabhakar Deshmukh

Assistant Examiner—Daniel Bui

(74) *Attorney, Agent, or Firm*—Kaplan Gilman Gibson & Dernier LLP

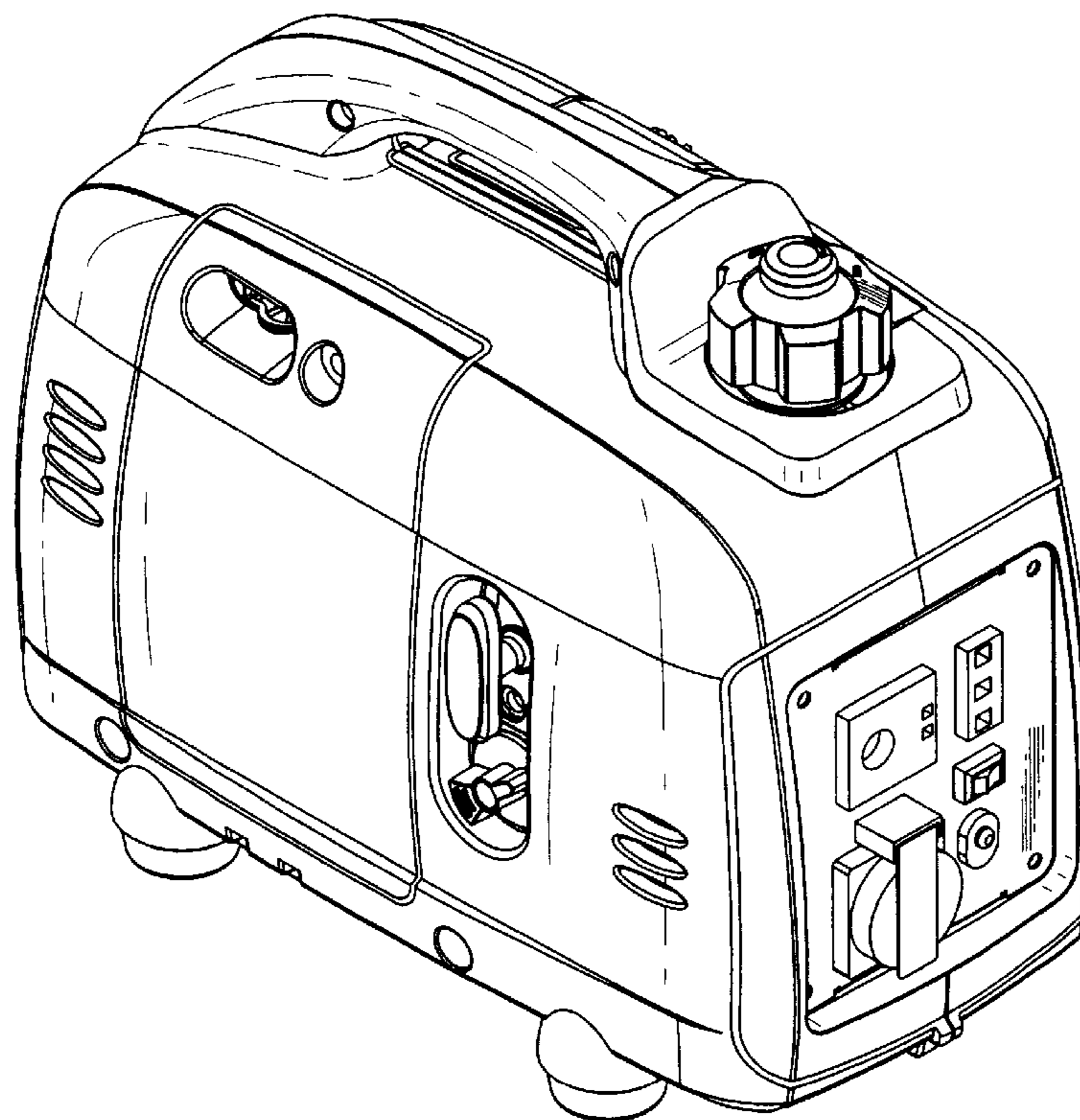
(57) **CLAIM**

The ornamental design for an inverter generator, as shown and described.

DESCRIPTION

FIG. 1 is a perspective view of an inverter generator showing my new design;
 FIG. 2 is a front view thereof;
 FIG. 3 is a rear view thereof;
 FIG. 4 is a top view thereof;
 FIG. 5 is a bottom view thereof;
 FIG. 6 is a left-side view thereof; and,
 FIG. 7 is a right-side view thereof.

1 Claim, 7 Drawing Sheets



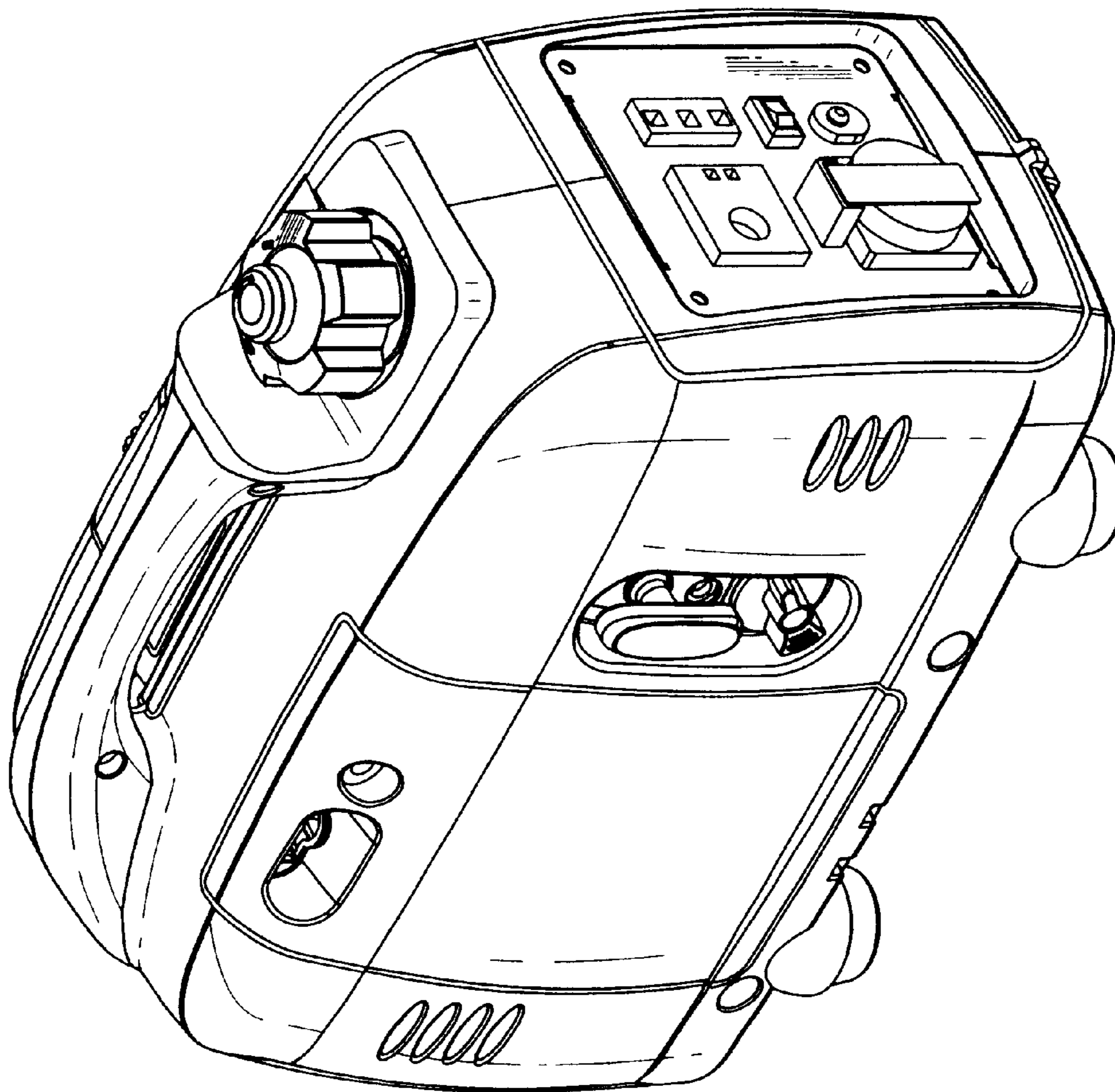


FIG. 1

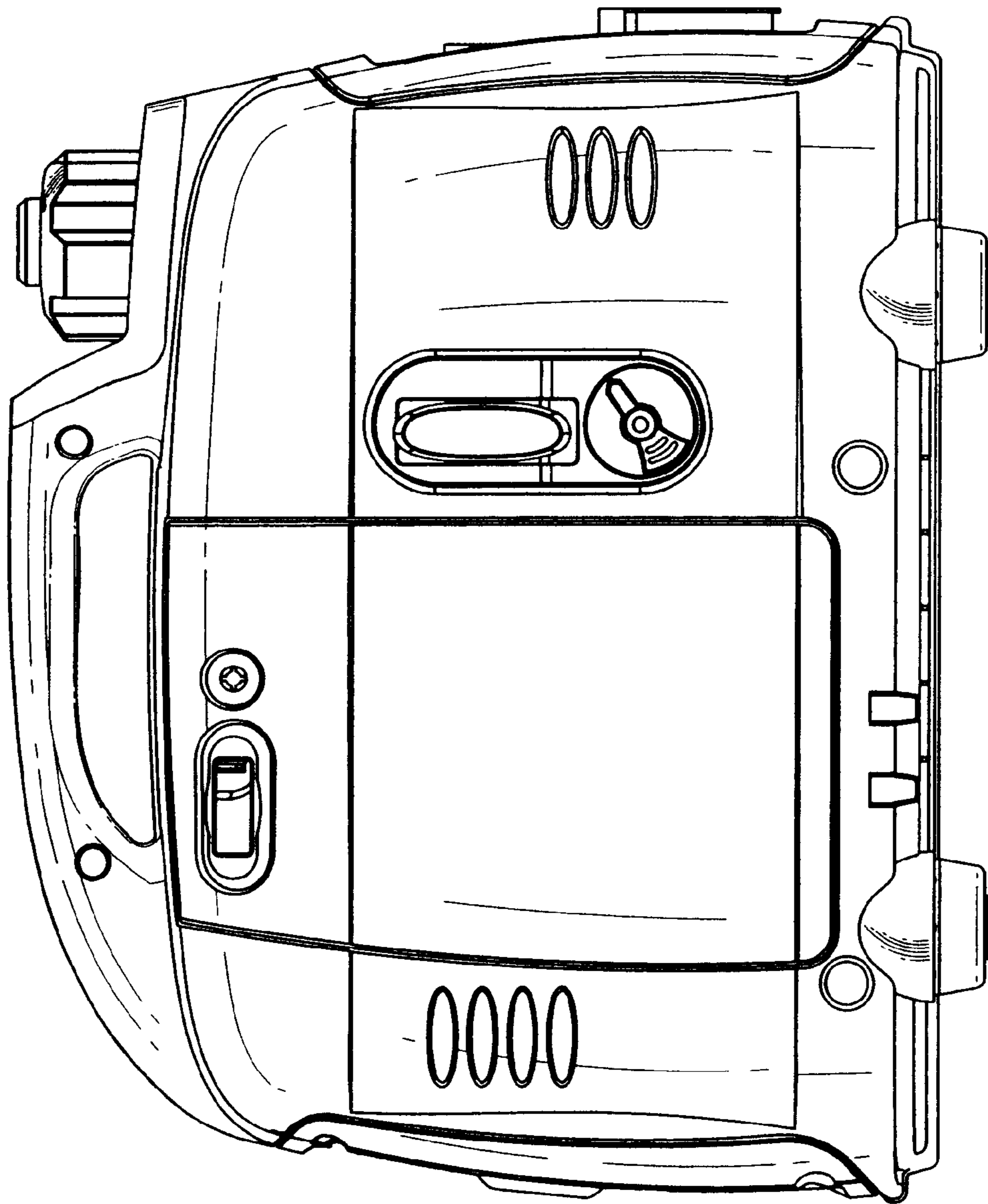


FIG. 2

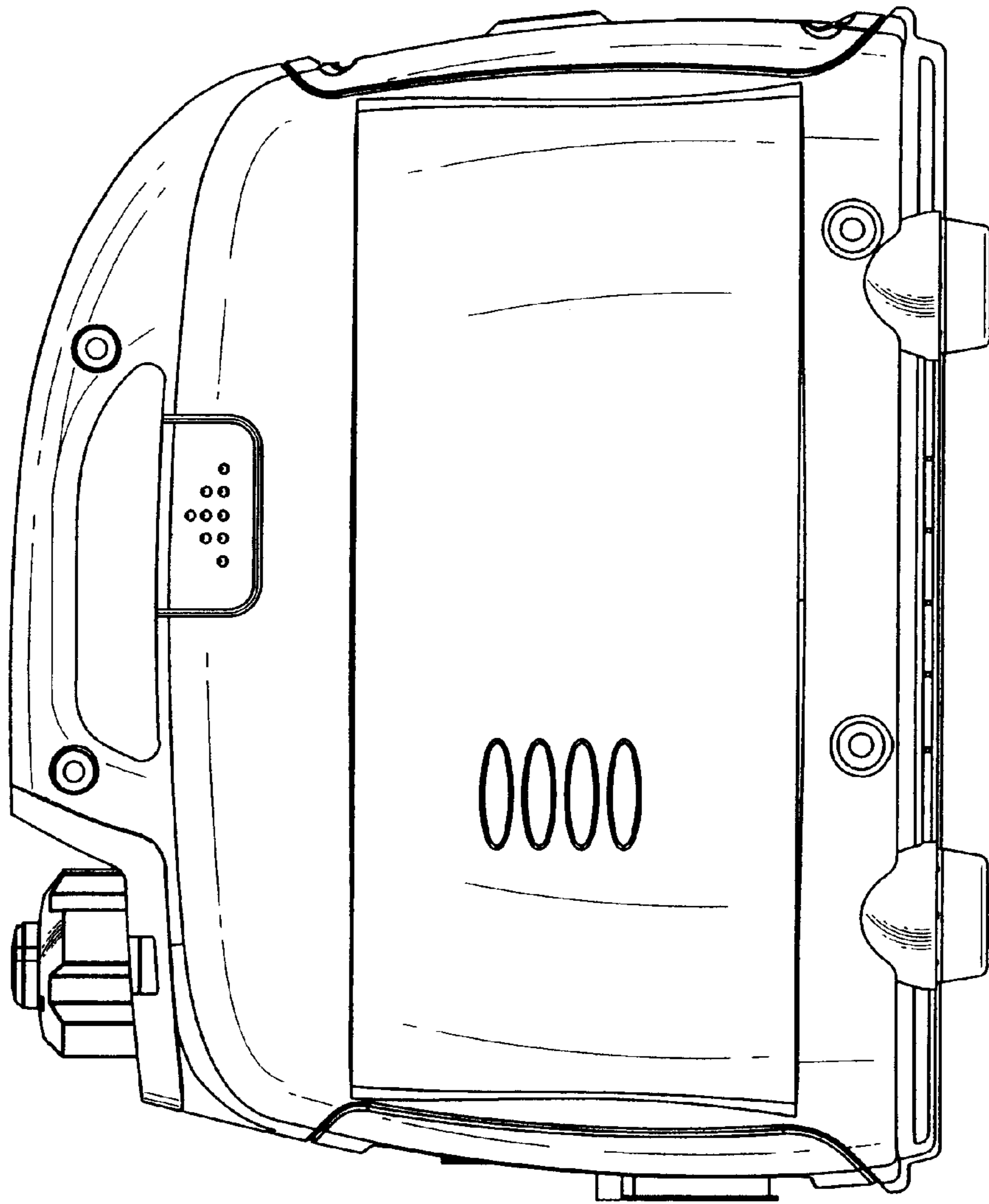


FIG. 3

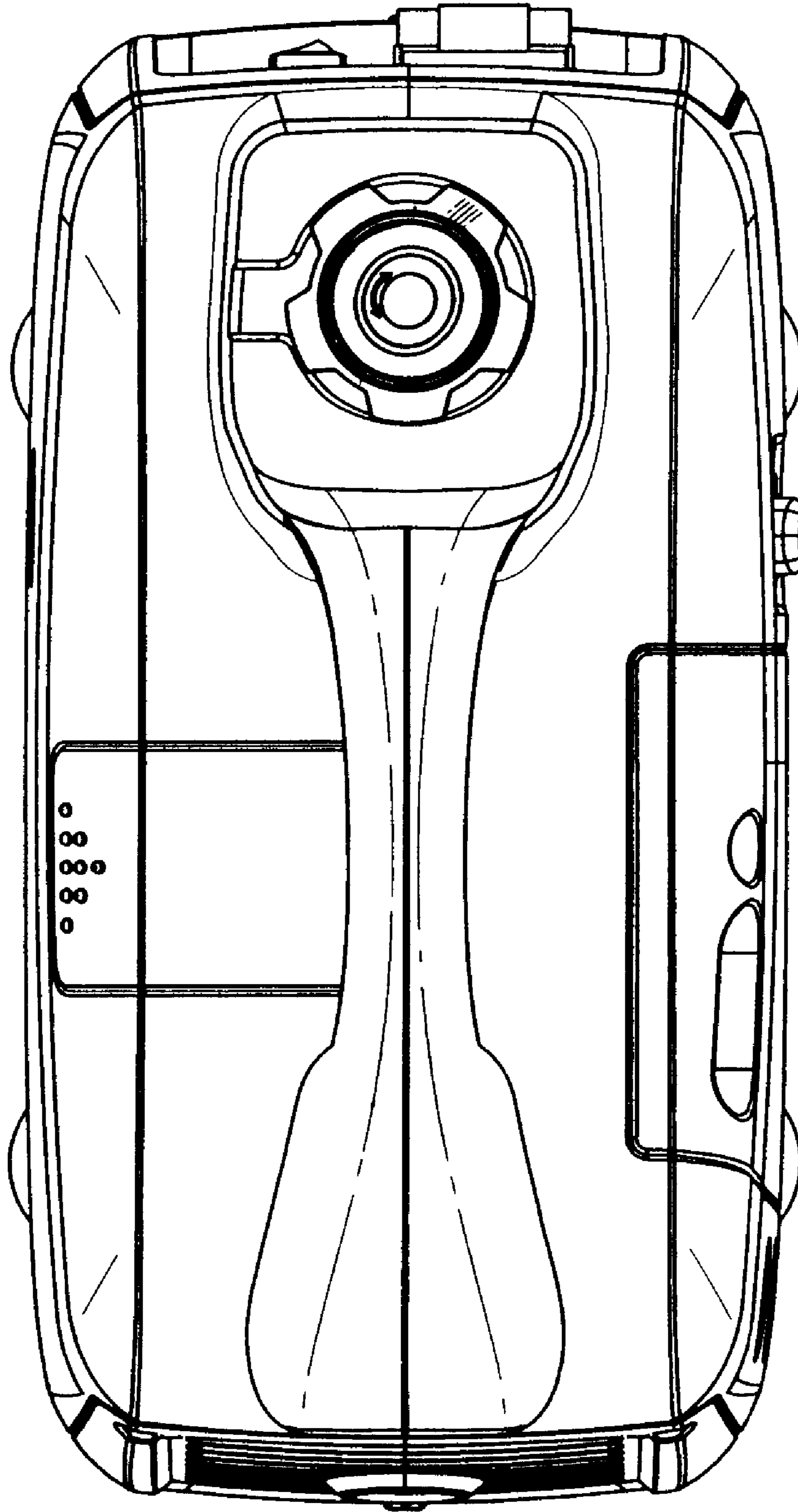


FIG. 4

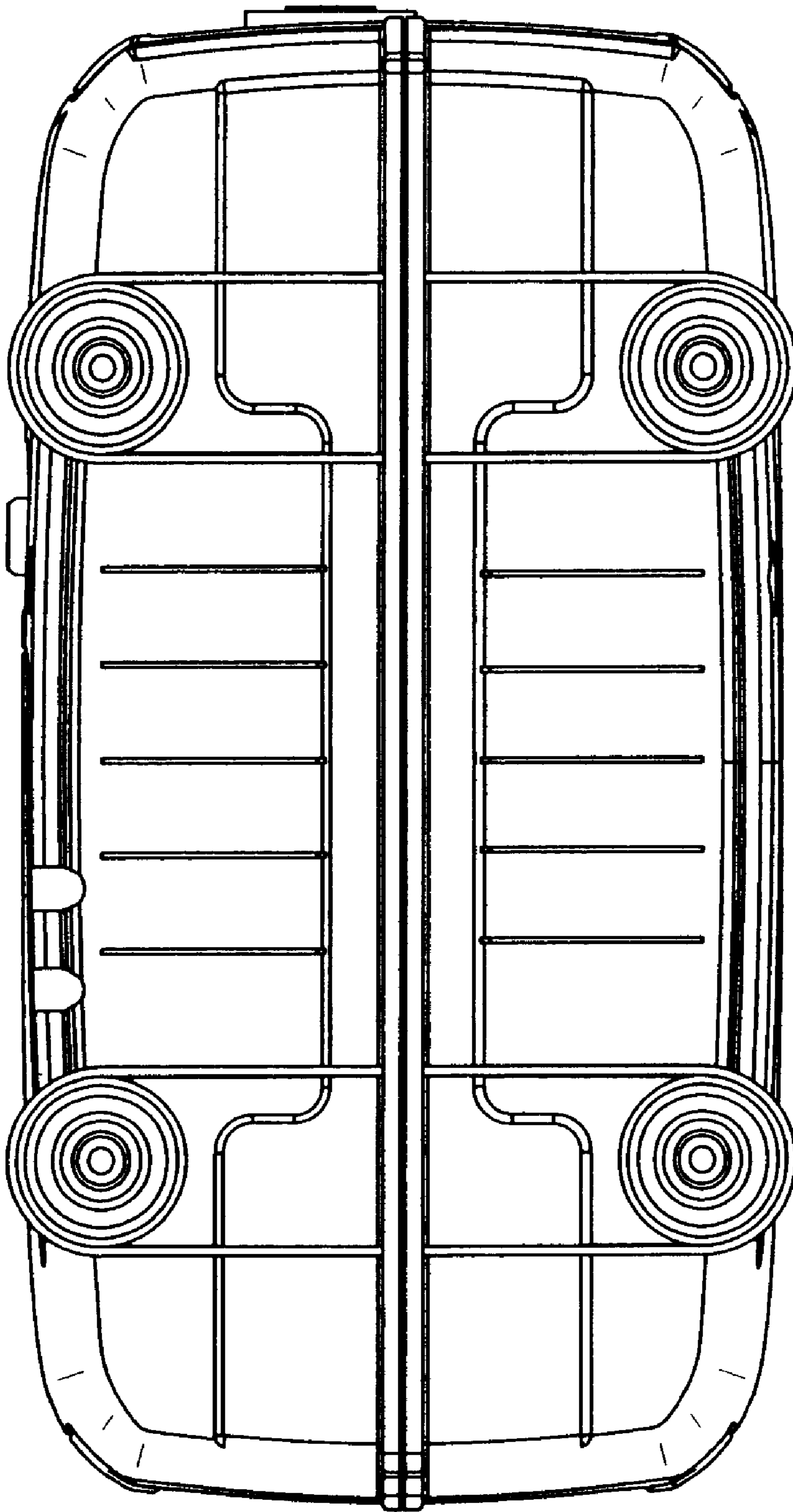


FIG. 5

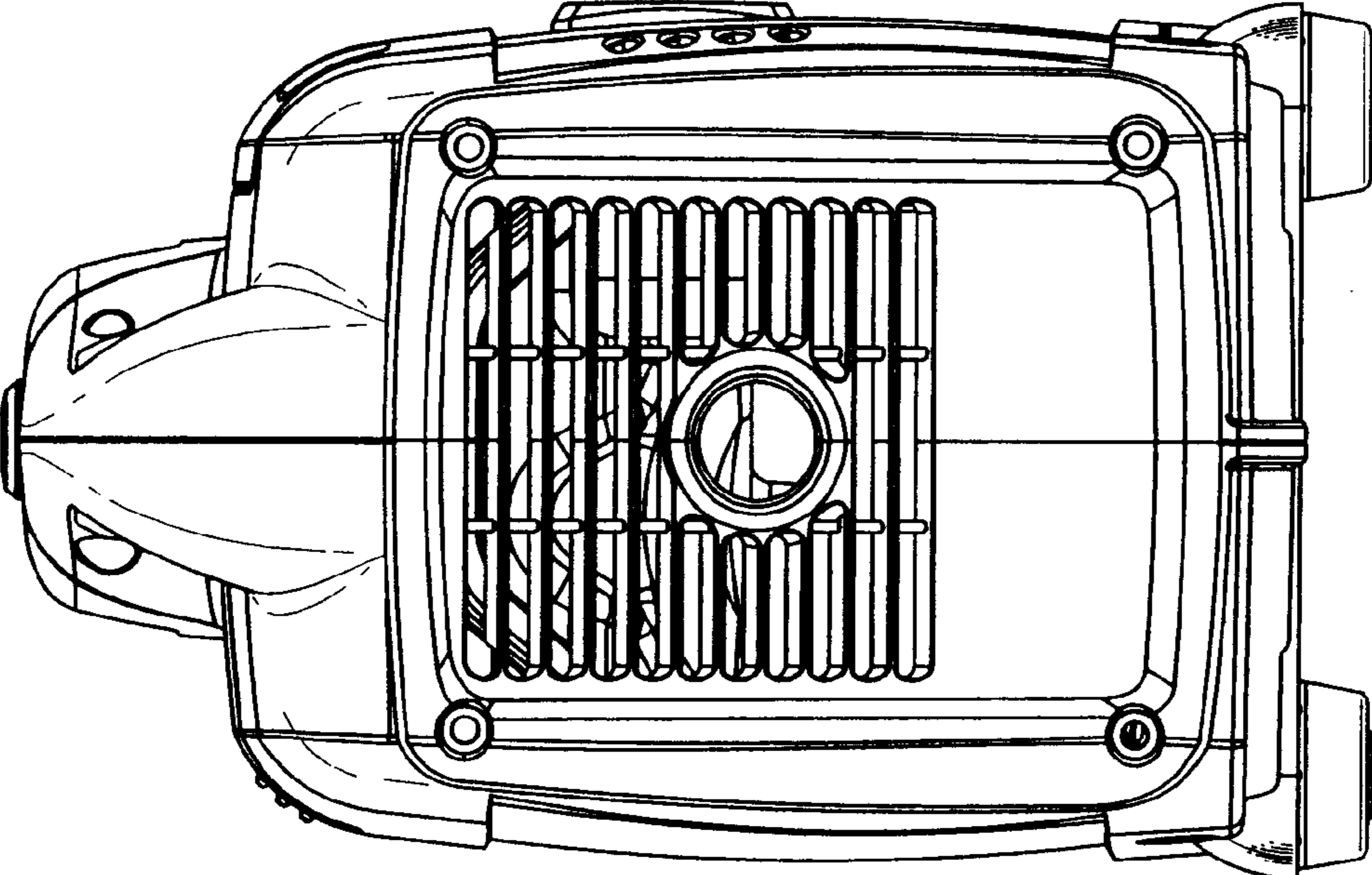


FIG. 6

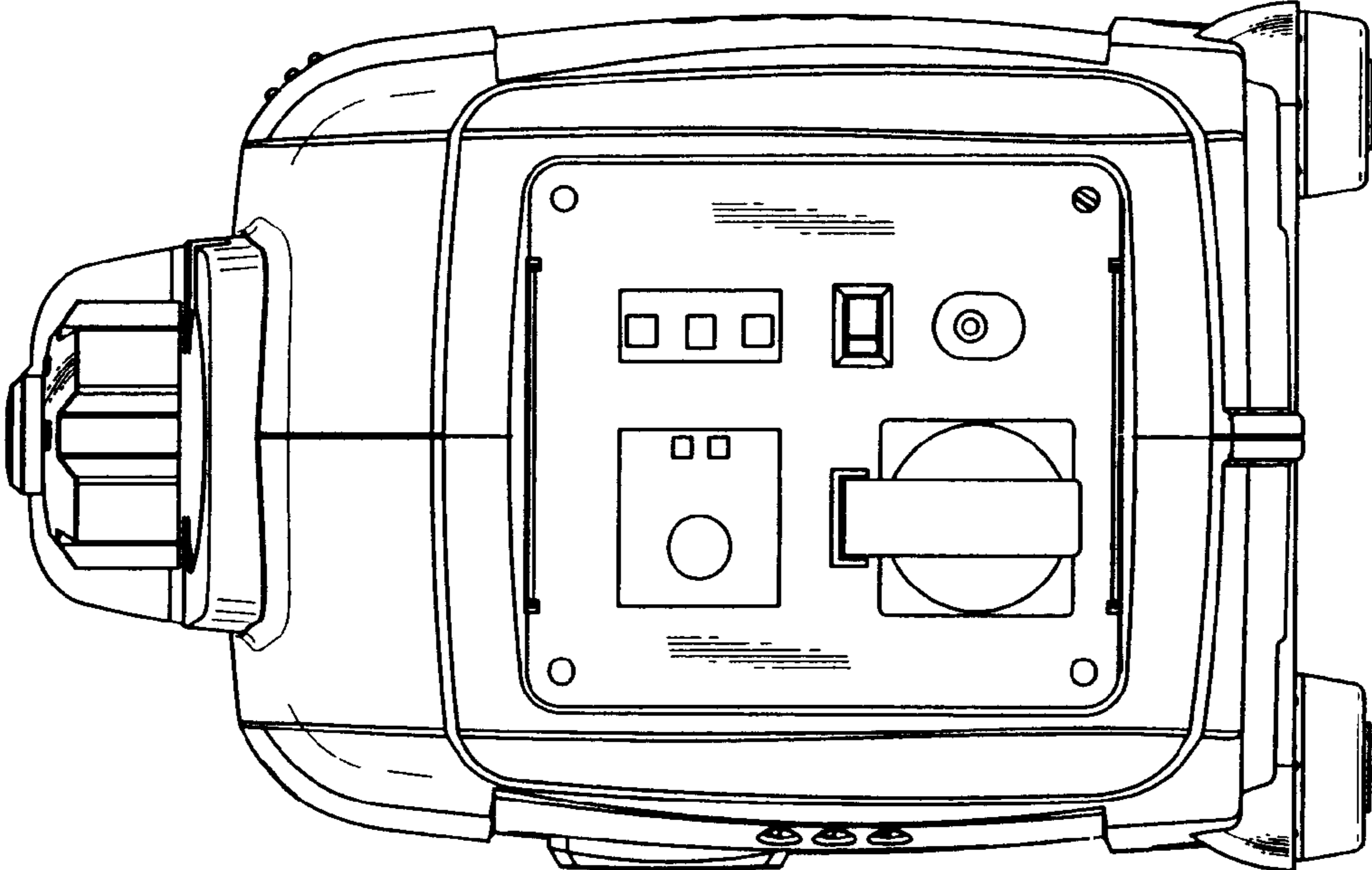


FIG. 7