

US00D520947S

(12) **United States Design Patent** (10) **Patent No.:** **US D520,947 S**  
**Vinciarelli et al.** (45) **Date of Patent:** **\*\* May 16, 2006**

(54) **POWER CONVERTER BODY**  
(75) Inventors: **Patrizio Vinciarelli**, Boston, MA (US);  
**Fred M. Finnemore**, Jefferson, ME  
(US); **Charles I. McCauley**, Andover,  
MA (US); **Gary C. Keay**, Merrimack,  
NH (US); **Scott W. Nowak**,  
Londonderry, NH (US); **Basil  
Thompson**, Hooksett, NH (US)

(73) Assignee: **VLT, Inc.**, Sunnyvale, CA (US)

(\*\*) Term: **14 Years**

(21) Appl. No.: **29/150,921**

(22) Filed: **Nov. 1, 2001**

(51) **LOC (8) Cl.** ..... **13-02**

(52) **U.S. Cl.** ..... **D13/110**

(58) **Field of Classification Search** ..... D13/110,  
D13/123; 361/679, 688, 690, 707, 709, 728;  
363/141, 143, 144, 146

See application file for complete search history.

(56) **References Cited**

**U.S. PATENT DOCUMENTS**

2,917,678 A 12/1959 Tepper  
D202,349 S \* 9/1965 Bisnett et al. .... D13/110  
3,205,408 A 9/1965 Boehm et al.  
3,237,079 A \* 2/1966 Mas ..... 363/146

(Continued)

**FOREIGN PATENT DOCUMENTS**

EP 0 141 582 5/1985  
EP 0 674 474 9/1995  
EP 0 772 379 A1 5/1997  
GB 2 214 731 6/1989  
JP 50-48579 5/1975  
JP 63-146940 9/1988  
JP 1-73966 5/1989  
JP 2-142173 5/1990  
JP 2-151095 6/1990  
JP 2-129766 10/1990  
JP 3-29389 2/1991

JP 3-163893 7/1991  
JP 4-33278 2/1992  
JP 5-315192 11/1993  
JP 6-509686 10/1994  
JP 7-143747 6/1995

**OTHER PUBLICATIONS**

Gates and Yokoro, "Sealed Chip-on-board Circuit Protec-  
tion", 3rd International SAMPE Electronics Conference, pp.  
929-938, Jun. 1989.

Lambda Electronics, Inc.—The new RM Series telecommu-  
nications power modules (brochure) Sep. 1995.

Vicor, Data Sheet for 375V Input Micro Family, DC—DC  
Converter Module, pp 1-8, Jul. 2001.

Vicor, Data Sheet, 375V Mini Family, DC—DC Converter  
Module, pp 1-8, Jun. 2001.

Vicor, Data Sheet for 48V Input Maxi Family, DC—DC  
Converter Module, pp 1-8, Dec. 1999.

Vicor, Product Catalog, pp. 8-13, 16-23, 31-34, 54-55,  
May 1991.

*Primary Examiner*—Prabhakar Deshmukh

*Assistant Examiner*—Daniel Bui

(74) *Attorney, Agent, or Firm*—Fish & Richardson P.C.

(57) **CLAIM**

The ornamental design for a power converter body, as shown  
and described.

**DESCRIPTION**

FIG. 1 is a perspective view of a power converter body,  
showing our invention.

FIG. 2 is a front elevational view thereof.

FIG. 3 is a rear elevational view thereof.

FIG. 4 is a right side elevational view thereof.

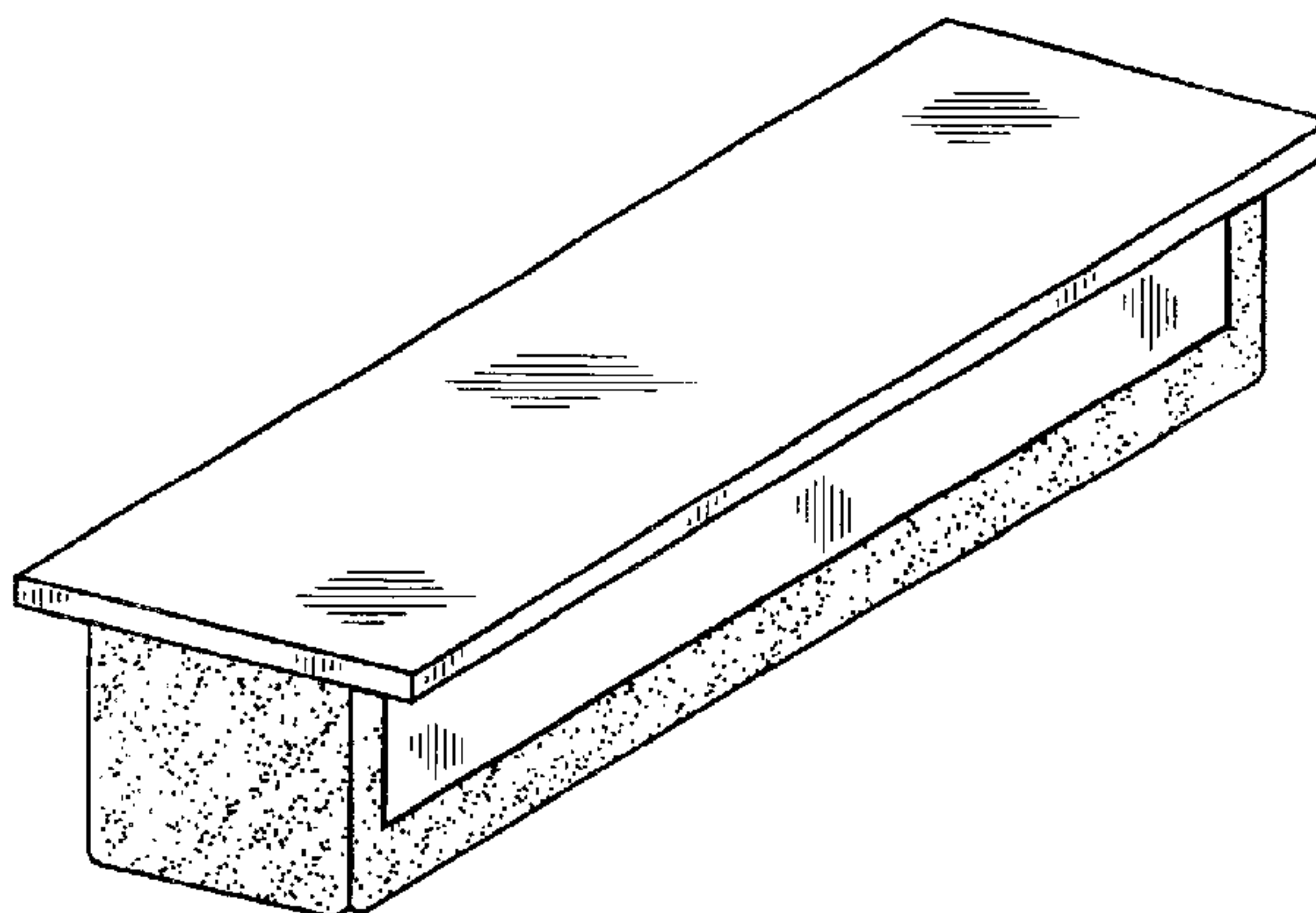
FIG. 5 is a left side elevational view thereof.

FIG. 6 is a top plan view thereof; and,

FIG. 7 is a bottom plan view thereof.

The stippling indicates a contrasting color (e.g., black or  
dark gray or another color) of the stippled portion of the  
design relative to the color (e.g., metallic color or light gray  
or another color) of the non-stippled portion of the design.

**1 Claim, 3 Drawing Sheets**



# US D520,947 S

| U.S. PATENT DOCUMENTS |           |                             |                 |          |                            |
|-----------------------|-----------|-----------------------------|-----------------|----------|----------------------------|
|                       |           |                             | 4,994,215 A     | 2/1991   | Wiech, Jr.                 |
|                       |           |                             | 5,006,673 A     | 4/1991   | Freyman et al.             |
| 3,617,615 A           | * 11/1971 | Balzer ..... 174/87         | 5,019,941 A     | 5/1991   | Craft                      |
| 3,621,338 A           | 11/1971   | Rogers et al.               | 5,019,946 A     | 5/1991   | Eichelberger et al.        |
| 3,683,241 A           | 8/1972    | Duncan                      | 5,028,987 A     | 7/1991   | Neugebaner et al.          |
| 4,138,711 A           | 2/1979    | Bremenour et al.            | 5,184,281 A     | 2/1993   | Samarov et al.             |
| D263,465 S            | * 3/1982  | Fathi ..... D13/110         | 5,200,884 A     | 4/1993   | Ohashi                     |
| 4,400,762 A           | 8/1983    | Bartley et al.              | 5,249,971 A     | 10/1993  | Lai et al.                 |
| 4,417,296 A           | 11/1983   | Schelhorn                   | D344,928 S      | 3/1994   | Vinciarelli et al.         |
| 4,479,686 A           | 10/1984   | Hoshino et al.              | D349,682 S      | 8/1994   | Hunziker                   |
| 4,531,145 A           | 7/1985    | Wiech, Jr.                  | D350,529 S      | * 9/1994 | Hunziker ..... D13/110     |
| 4,551,746 A           | 11/1985   | Gilbert et al.              | 5,352,851 A     | 10/1994  | Wallace et al.             |
| 4,551,747 A           | 11/1985   | Gilbert et al.              | 5,365,403 A     | 11/1994  | Vinciarelli et al.         |
| 4,603,927 A           | 8/1986    | Gardner                     | 5,394,300 A     | 2/1995   | Yoshimura                  |
| 4,603,929 A           | 8/1986    | Fitzpatrick                 | D363,056 S      | 10/1995  | Vinciarelli et al.         |
| 4,622,621 A           | 11/1986   | Barre                       | D365,082 S      | 12/1995  | Cook, II et al.            |
| 4,685,753 A           | 8/1987    | Isshiki et al.              | D371,110 S      | * 6/1996 | Harris et al. .... D13/110 |
| 4,724,283 A           | 2/1988    | Shimada et al.              | D379,174 S      | 5/1997   | Kornblum et al.            |
| 4,740,414 A           | 4/1988    | Shaheen                     | D386,761 S      | 11/1997  | Pleitz                     |
| 4,741,472 A           | 5/1988    | Barmann                     | 5,742,478 A     | 4/1998   | Wu                         |
| 4,750,089 A           | 6/1988    | Derryberry et al.           | 5,909,358 A     | 6/1999   | Bradt                      |
| 4,769,525 A           | 9/1988    | Leatham                     | 6,000,125 A     | 12/1999  | Kang                       |
| D297,928 S            | * 10/1988 | Harpley et al. .... D13/110 | 6,031,726 A     | 2/2000   | Vinciarelli et al.         |
| 4,783,695 A           | 11/1988   | Eichelberger et al.         | D427,146 S      | 6/2000   | Wei                        |
| 4,783,697 A           | 11/1988   | Benenati et al.             | D427,147 S      | 6/2000   | Wei                        |
| 4,847,136 A           | 7/1989    | Lo                          | D427,969 S      | 7/2000   | Wei                        |
| 4,879,630 A           | 11/1989   | Boucard et al.              | 6,208,531 B1    | 3/2001   | Vinciarelli et al.         |
| 4,918,811 A           | 4/1990    | Eichelberger et al.         | 6,623,281 B1    | 9/2003   | Vinciarelli                |
| 4,953,005 A           | 8/1990    | Carlson et al.              | 2002/0016094 A1 | 2/2002   | Vinciarelli et al.         |
| 4,959,750 A           | 9/1990    | Cnyrim et al.               |                 |          |                            |
| 4,975,824 A           | 12/1990   | Huss et al.                 |                 |          |                            |

\* cited by examiner

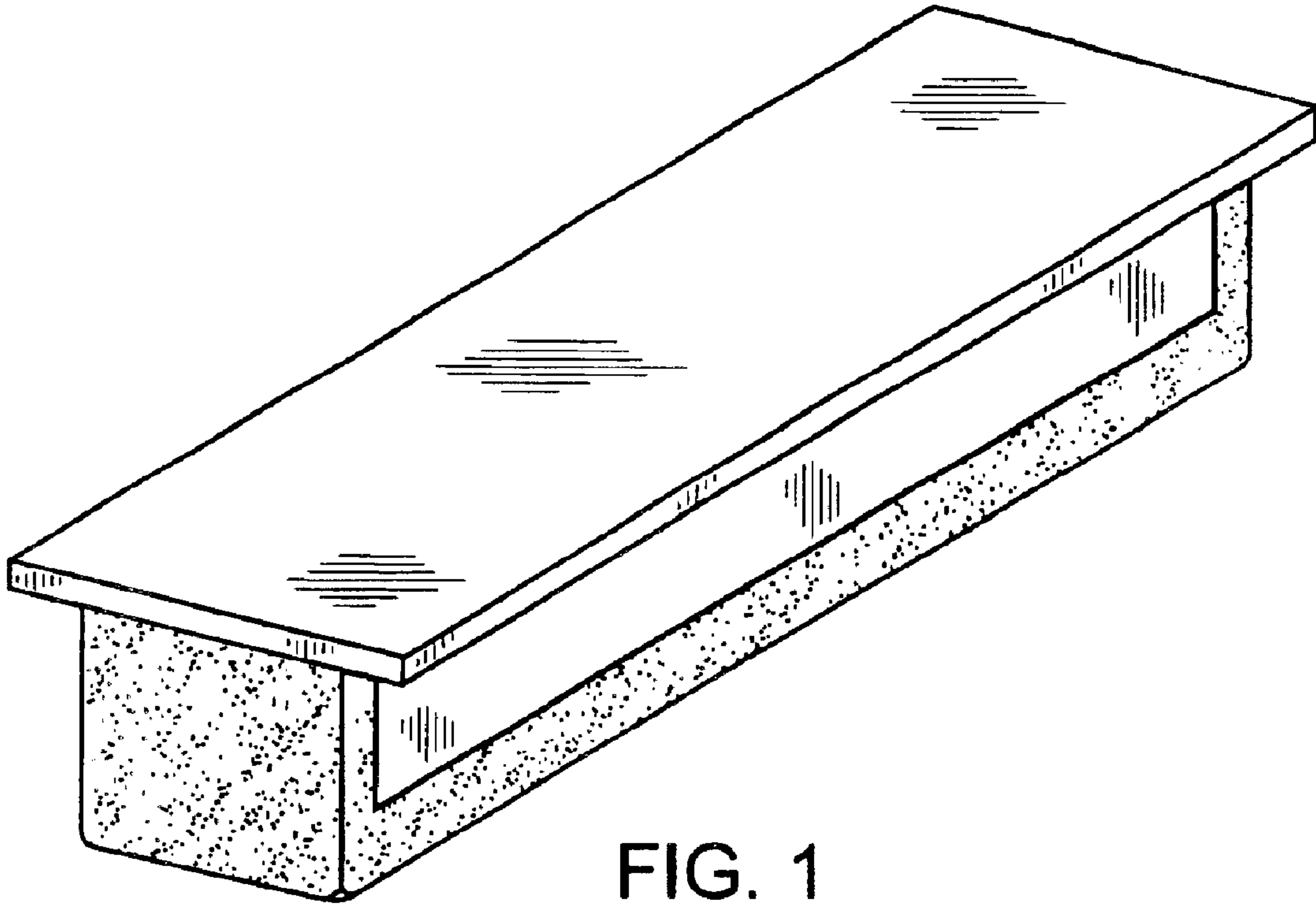


FIG. 1

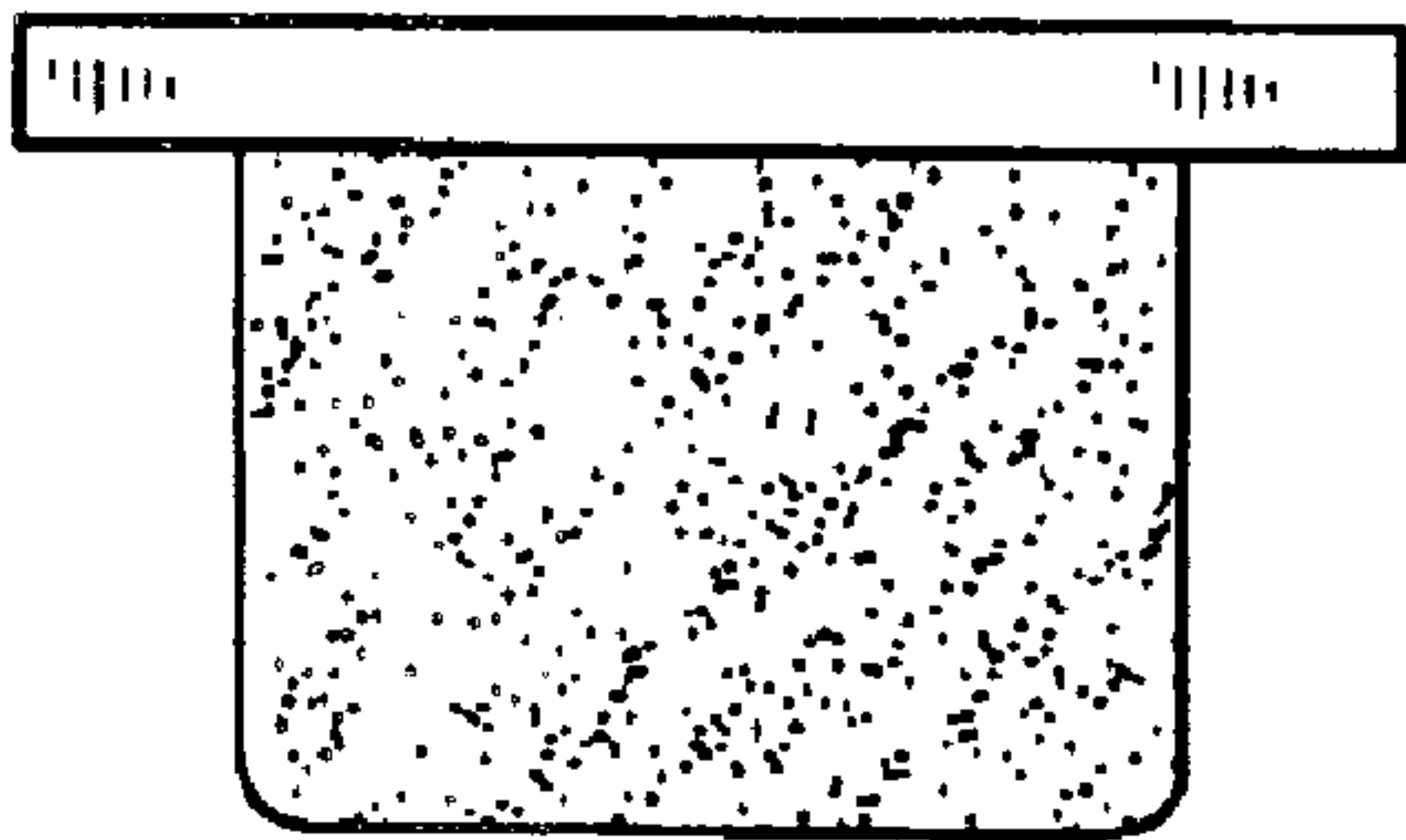


FIG. 2

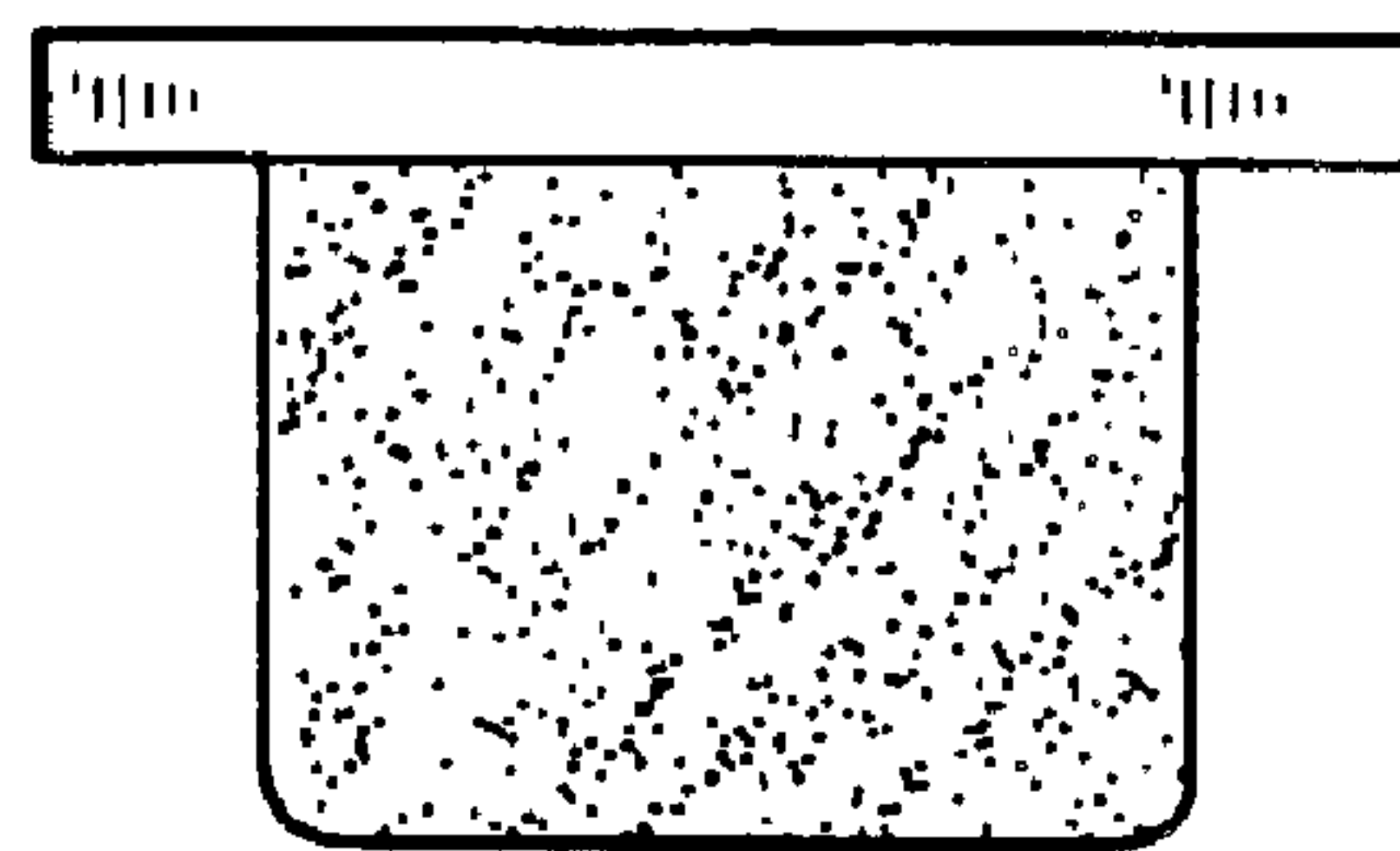


FIG. 3

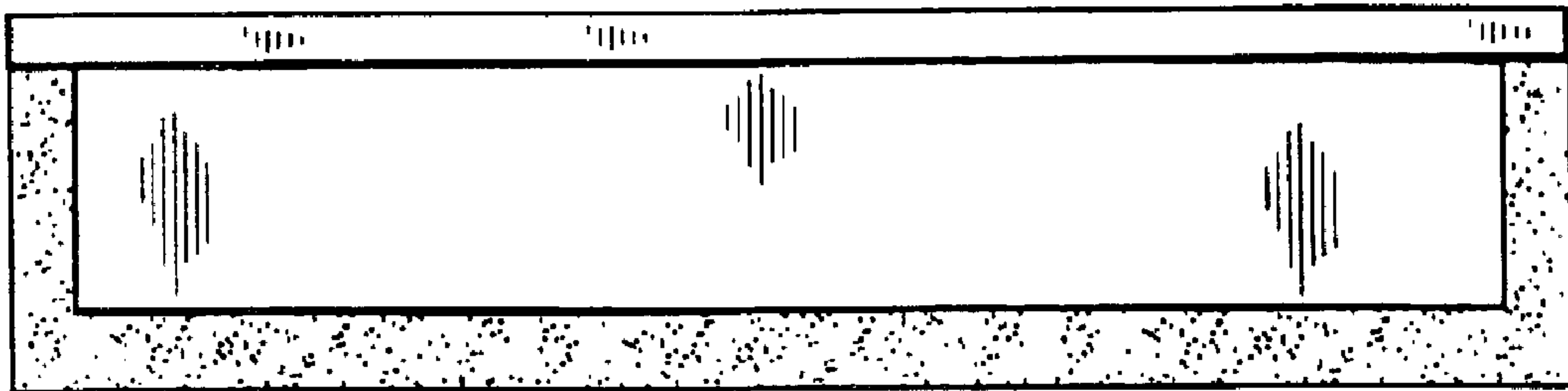


FIG. 4

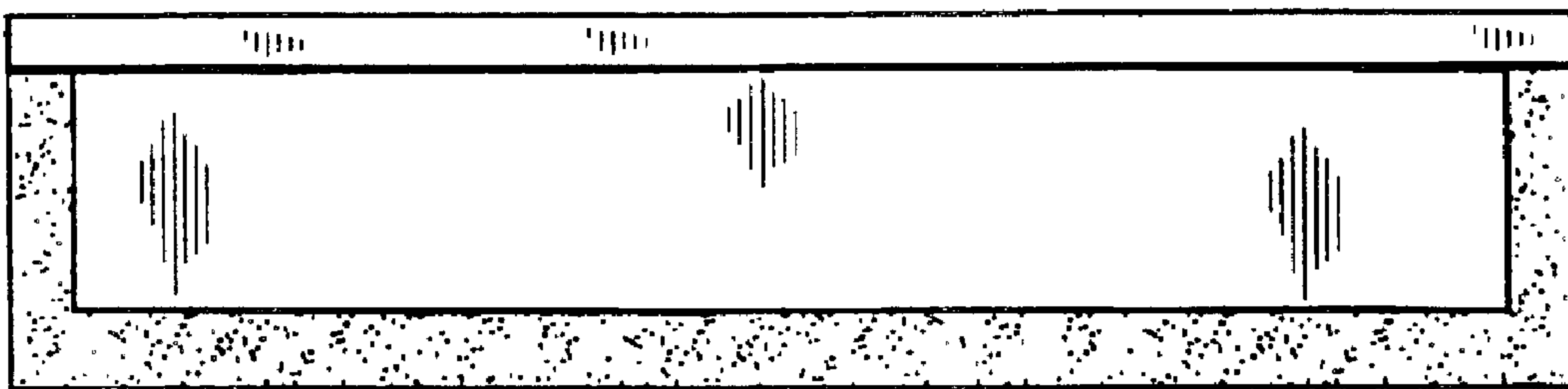


FIG. 5



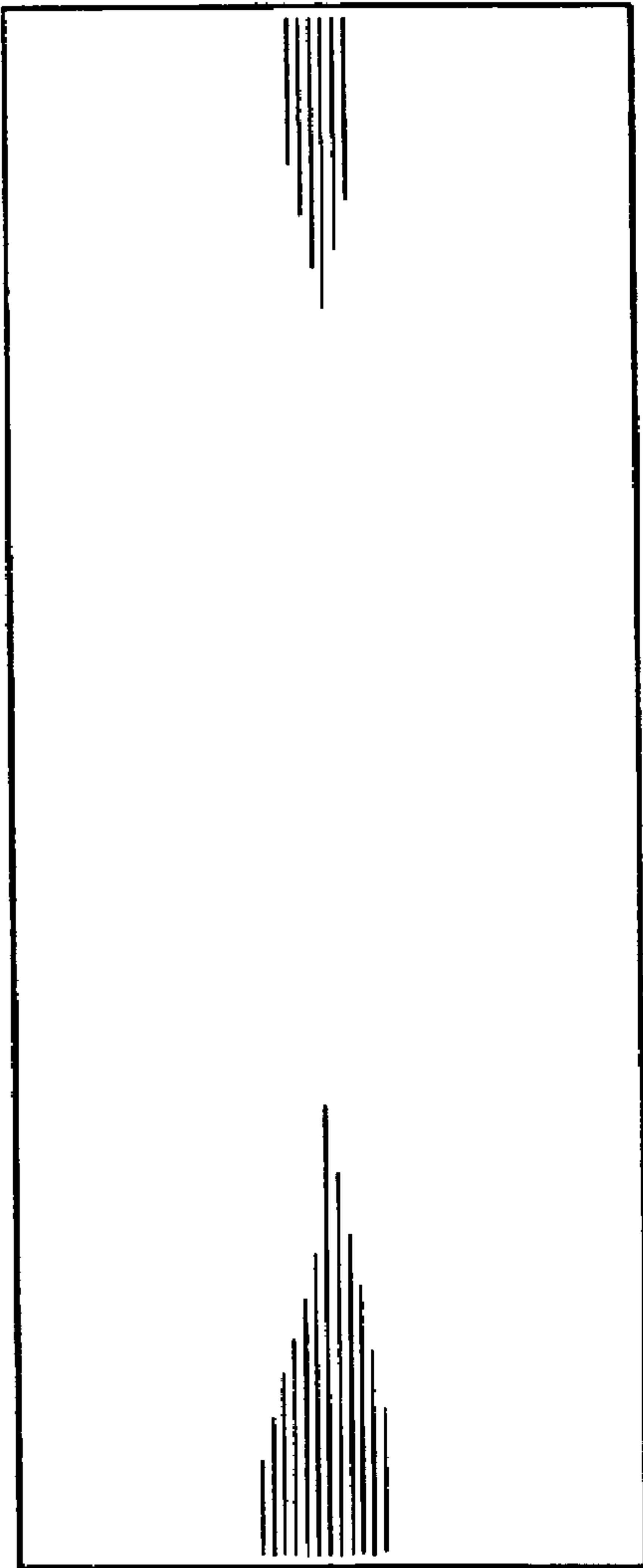


FIG. 6

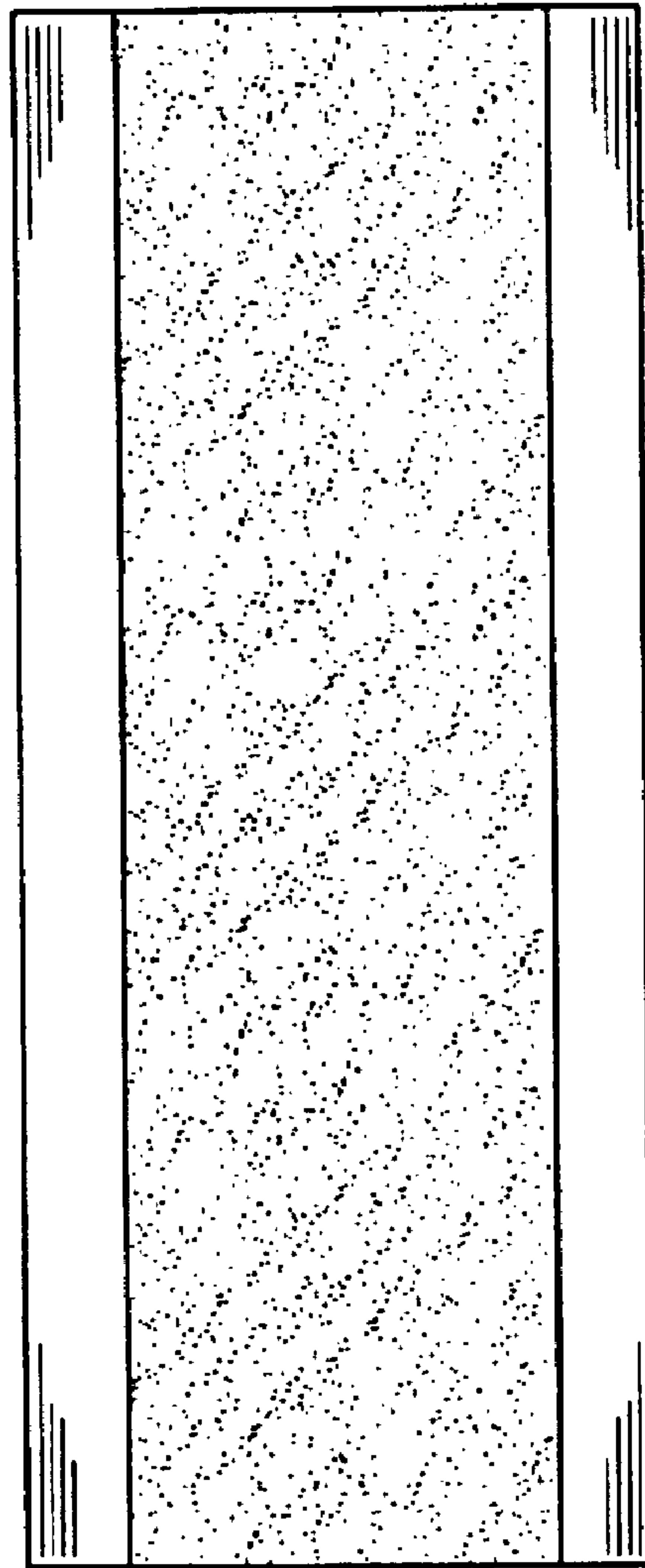


FIG. 7