



US00D520946S

(12) **United States Design Patent**
Nasu

(10) **Patent No.:** **US D520,946 S**

(45) **Date of Patent:** **** May 16, 2006**

(54) **BATTERY CHARGER FOR DIGITAL CAMERA**

(75) Inventor: **Miyoshi Nasu**, Tokyo (JP)

(73) Assignee: **PENTAX Corporation**, Tokyo (JP)

(**) Term: **14 Years**

(21) Appl. No.: **29/223,977**

(22) Filed: **Feb. 24, 2005**

(30) **Foreign Application Priority Data**

Sep. 8, 2004 (JP) 2004-027269

(51) **LOC (8) Cl.** **13-02**

(52) **U.S. Cl.** **D13/108**

(58) **Field of Classification Search** D13/107-110,
D13/118-119, 184; D14/251, 253, 432, 434;
D16/219, 237, 242; 320/107-115
See application file for complete search history.

(56) **References Cited**

U.S. PATENT DOCUMENTS

- D301,456 S * 6/1989 Siddoway D13/107
- D321,855 S * 11/1991 Ross, Jr. D13/107
- D358,821 S * 5/1995 Hellier et al. D14/253
- D404,357 S * 1/1999 Foster et al. D13/108

- D445,975 S * 7/2001 Stratford D32/31
- D471,907 S * 3/2003 Peiker D14/253
- D483,052 S * 12/2003 Utsunomiya D16/242
- D489,321 S * 5/2004 Krieger et al. D13/108
- D508,459 S * 8/2005 Yoshida D13/108
- D509,790 S * 9/2005 Sakai D13/108

* cited by examiner

Primary Examiner—Alan P. Douglas

Assistant Examiner—Rosemary K. Tarcza

(74) *Attorney, Agent, or Firm*—Sughrue Mion, PLLC

(57) **CLAIM**

The ornamental design for a battery charger for digital camera, as shown.

DESCRIPTION

FIG. 1 is a perspective view of the top, front, and right side of a battery charger for digital camera showing my new design;

FIG. 2 is a front elevational view thereof;

FIG. 3 is a rear elevational view thereof;

FIG. 4 is a right side elevational view thereof;

FIG. 5 is a left side elevational view thereof;

FIG. 6 is a top plan view thereof; and,

FIG. 7 is a bottom plan view thereof.

1 Claim, 5 Drawing Sheets

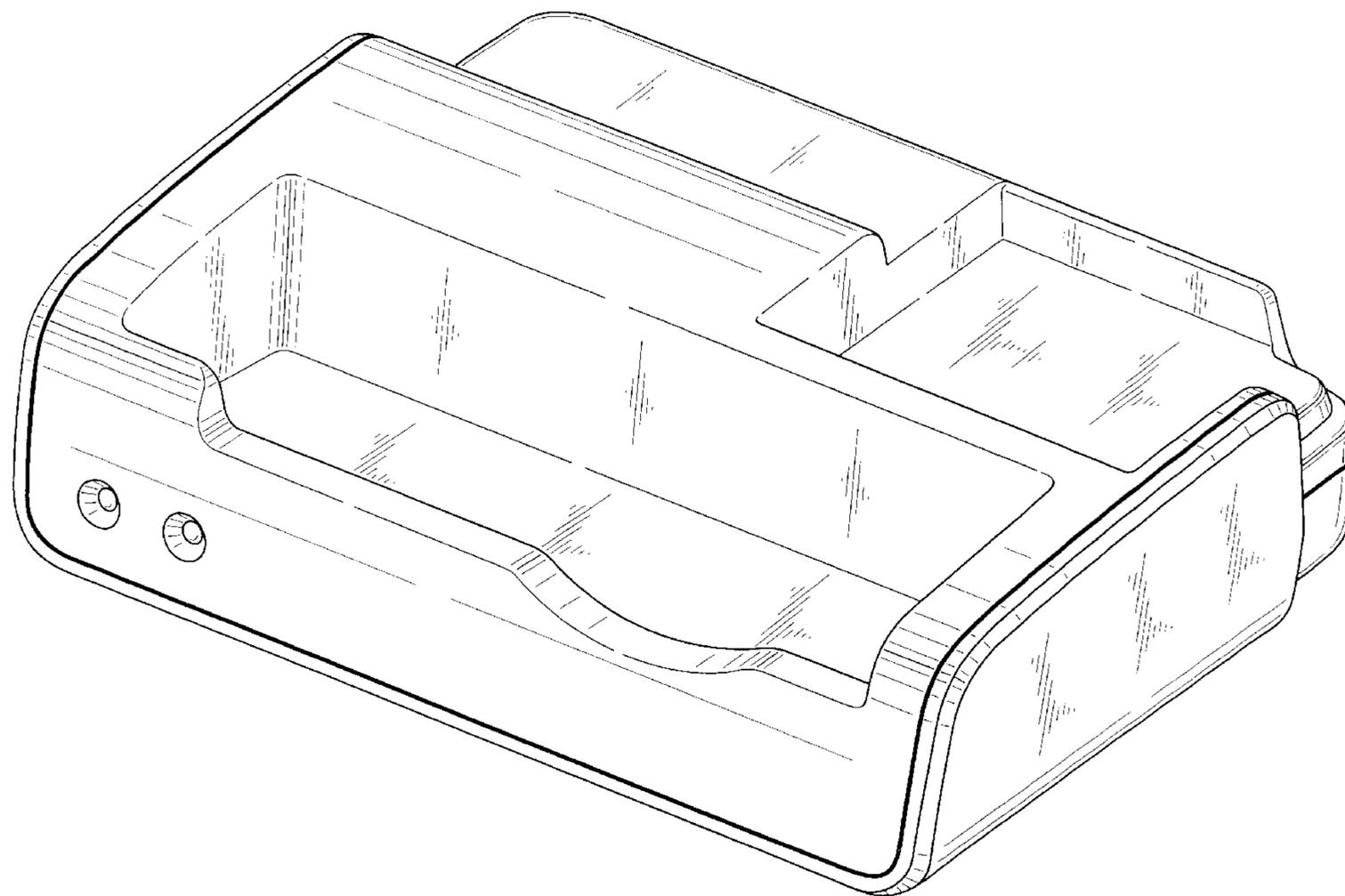


FIG. 1

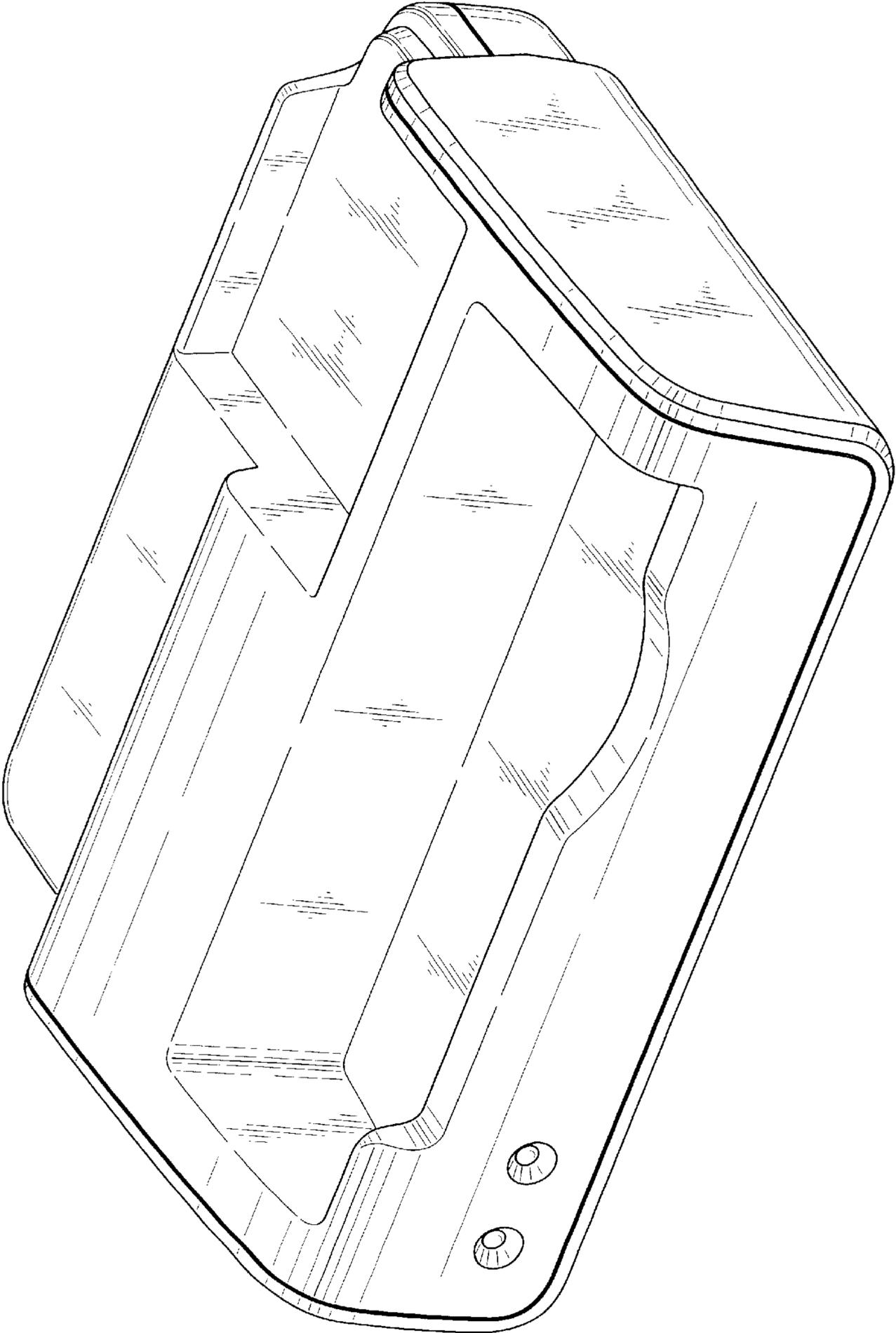


FIG. 2

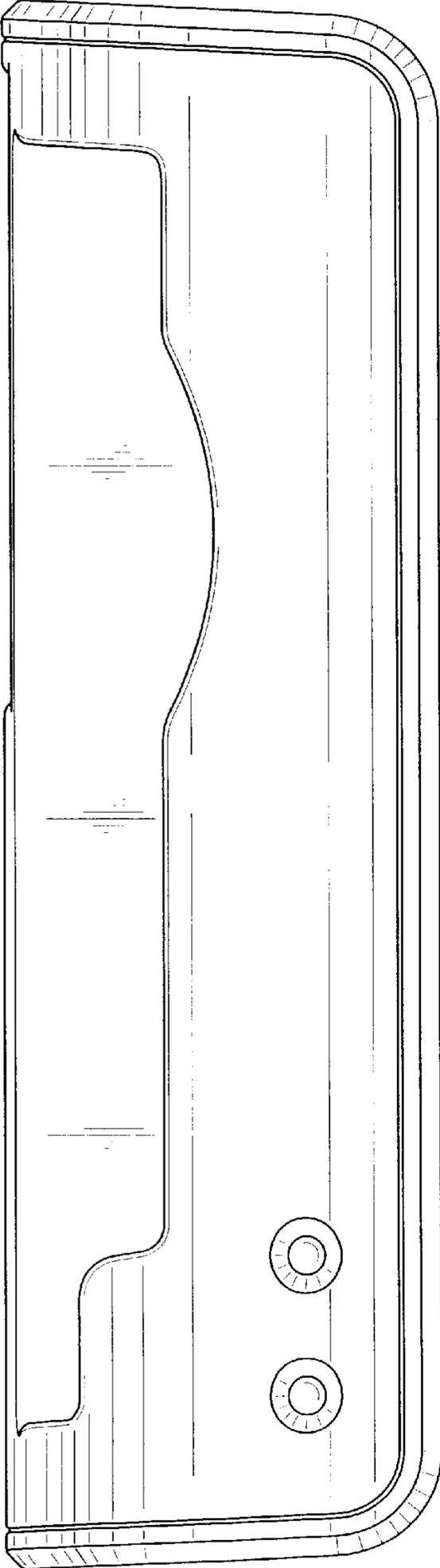


FIG. 3

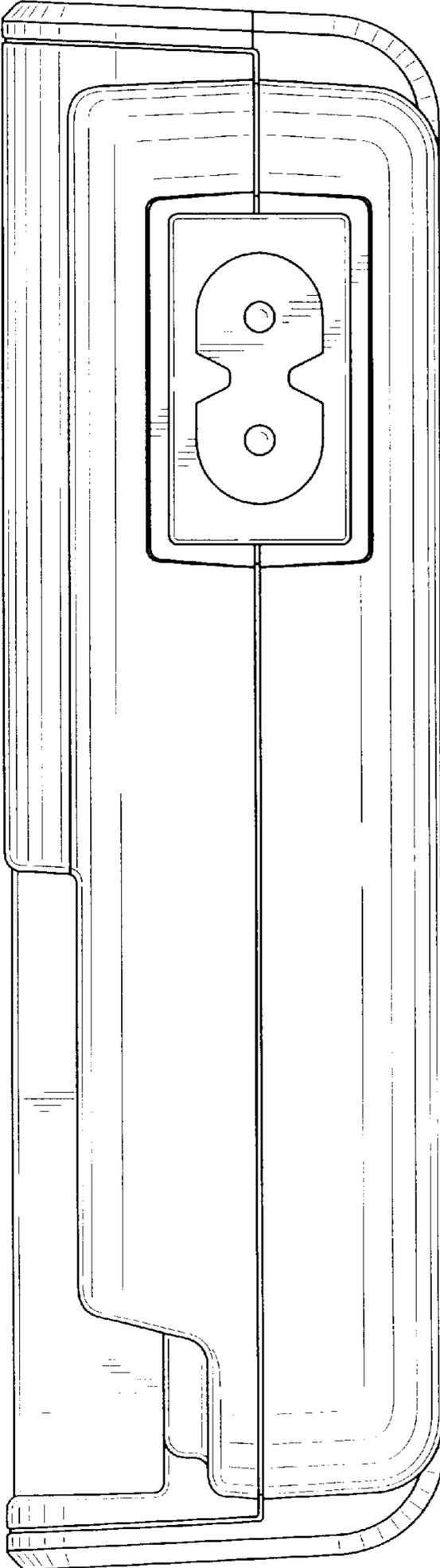


FIG. 4

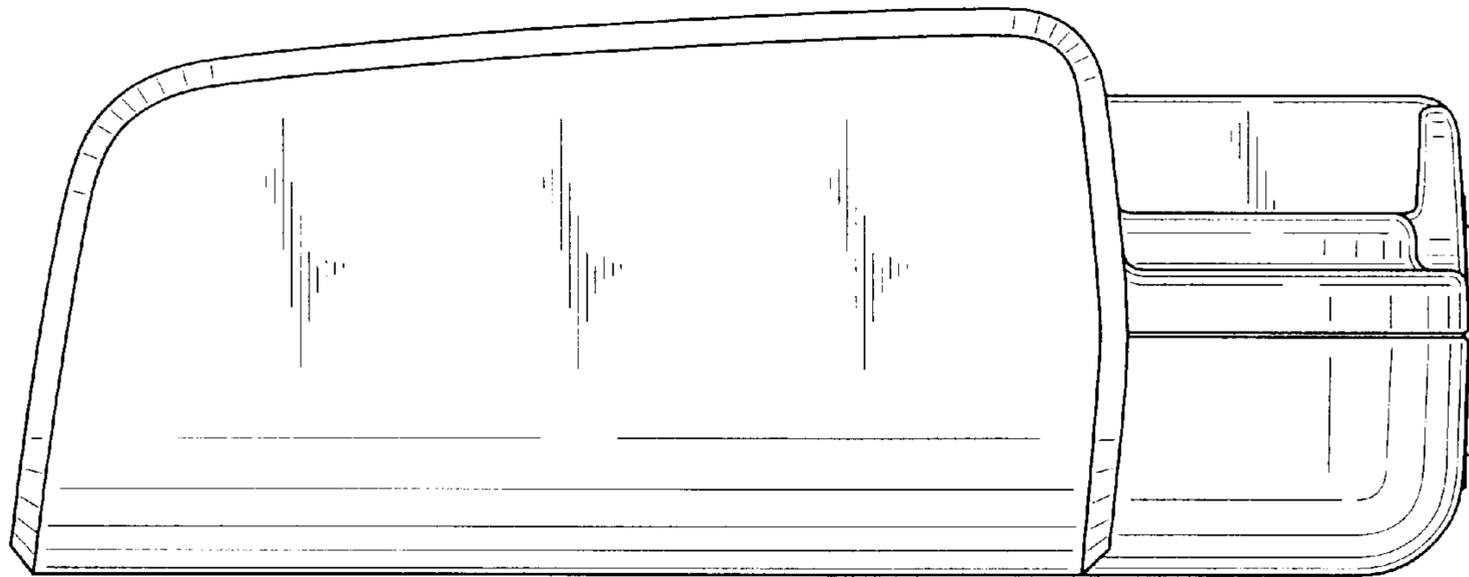


FIG. 5

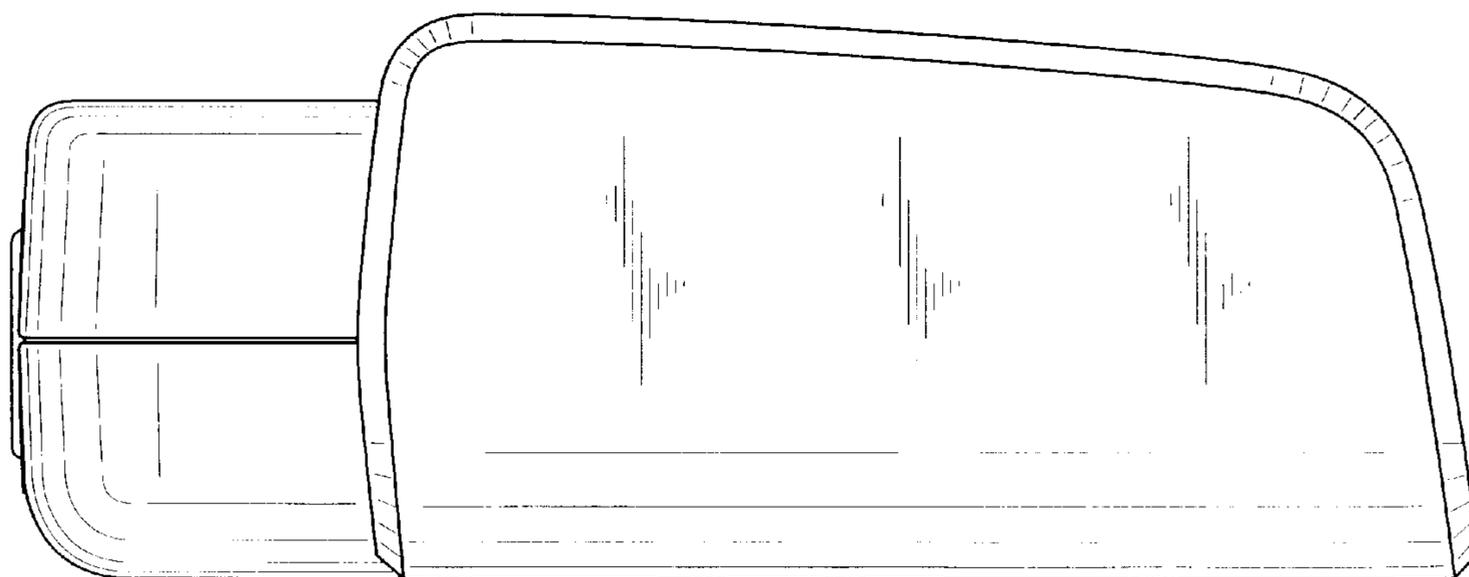


FIG. 6



FIG. 7

