

US00D520941S

(12) **United States Design Patent**
Adams et al.

(10) **Patent No.:** **US D520,941 S**

(45) **Date of Patent:** **** May 16, 2006**

(54) **FUEL SUPPLY FOR FUEL CELLS**
(75) Inventors: **Paul H. Adams**, Monroe, CT (US);
Andrew J. Curello, Hamden, CT (US);
Floyd B. Fairbanks, Naugatuck, CT
(US)

(73) Assignee: **Societe BIC** (FR)

(**) Term: **14 Years**

(21) Appl. No.: **29/199,298**

(22) Filed: **Feb. 12, 2004**

Related U.S. Application Data

(63) Continuation-in-part of application No. 10/725,244, filed on Dec. 1, 2003.

(51) **LOC (8) Cl.** **13-02**

(52) **U.S. Cl.** **D13/103**

(58) **Field of Classification Search** D13/102–106,
D13/110, 118–119, 184; D14/251, 253, 432,
D14/434; 320/107–115

See application file for complete search history.

(56) **References Cited**

U.S. PATENT DOCUMENTS

2,189,327 A * 2/1940 Rieser 429/160
D265,989 S * 8/1982 Harris et al. D13/184
D288,956 S * 3/1987 Wadleigh D13/102
D314,183 S * 1/1991 Wong D13/160
D339,322 S * 9/1993 Seki et al. D13/103
5,300,372 A * 4/1994 Aksoy et al. 429/65
D402,641 S * 12/1998 Heijnen D13/184
D444,448 S * 7/2001 Robinson et al. D13/103

D458,218 S * 6/2002 Reynolds D13/110
D466,095 S * 11/2002 Poulter et al. D13/184
6,555,264 B1 * 4/2003 Hamada et al. 429/156
6,790,076 B1 * 9/2004 Patterson 439/500
2003/0184962 A1 * 10/2003 Kambayashi et al. 361/683

* cited by examiner

Primary Examiner—Alan P. Douglas

Assistant Examiner—Rosemary K. Tarcza

(74) *Attorney, Agent, or Firm*—H. T. Whan Law Group

(57) **CLAIM**

The ornamental design for a fuel supply for fuel cells, as shown and described.

DESCRIPTION

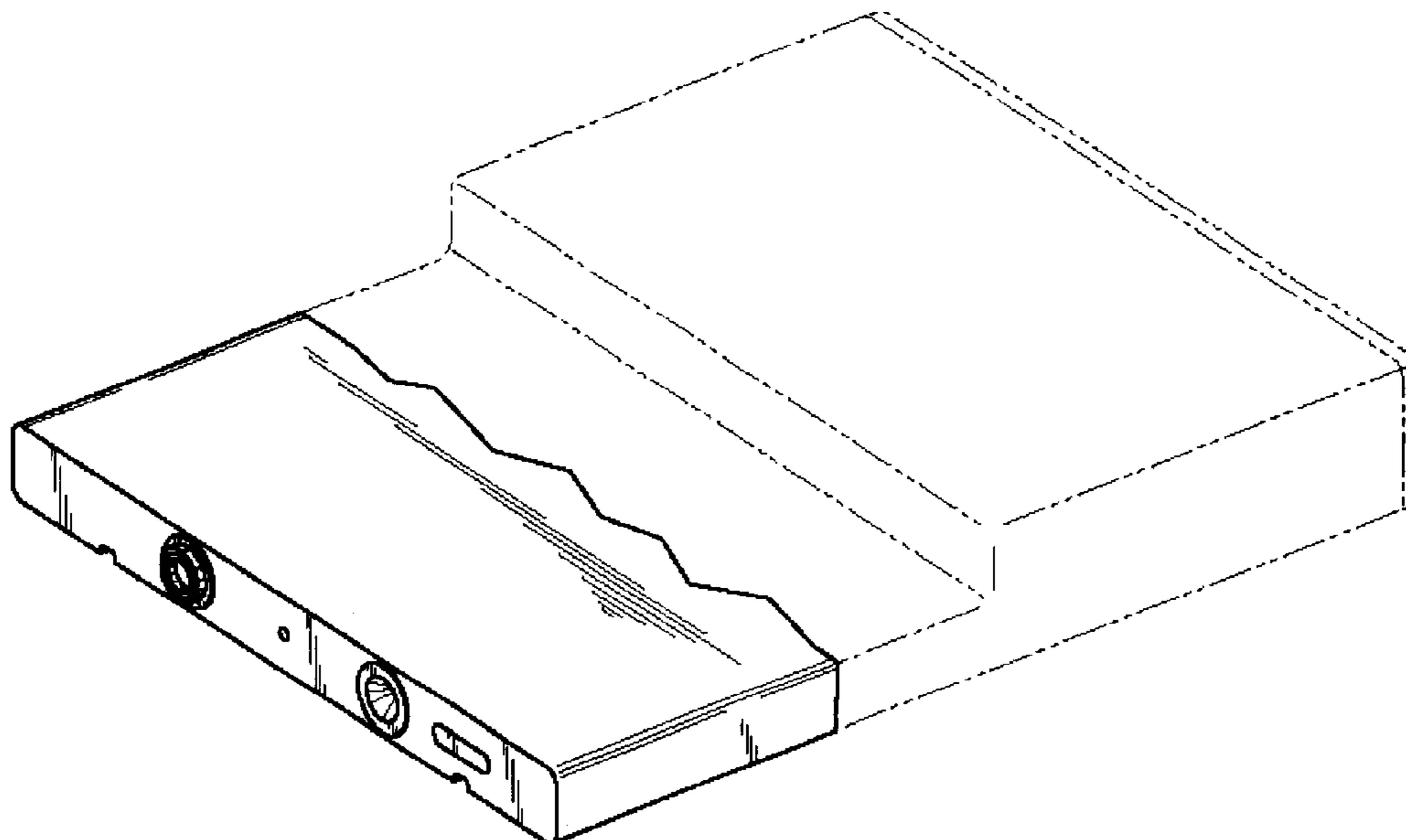
FIG. 1 is a perspective view of an embodiment showing our new design with broken lines showing a background associated with the embodiment, said broken lines are for illustrative purpose only and form no part of the claimed design.

FIG. 2 is another perspective view of the embodiment, of FIG. 1 showing our new design with broken lines showing another background associated with the embodiment, said broken lines are for illustrative purpose only and form no part of the claimed design; and,

FIG. 3 another perspective view of the embodiment showing our new design with broken lines showing another background associated with the embodiment, said broken lines are for illustrative purpose only and form no part of the claimed design.

Broken lines are for illustrative purposes only and form no part of the claimed design.

1 Claim, 1 Drawing Sheet



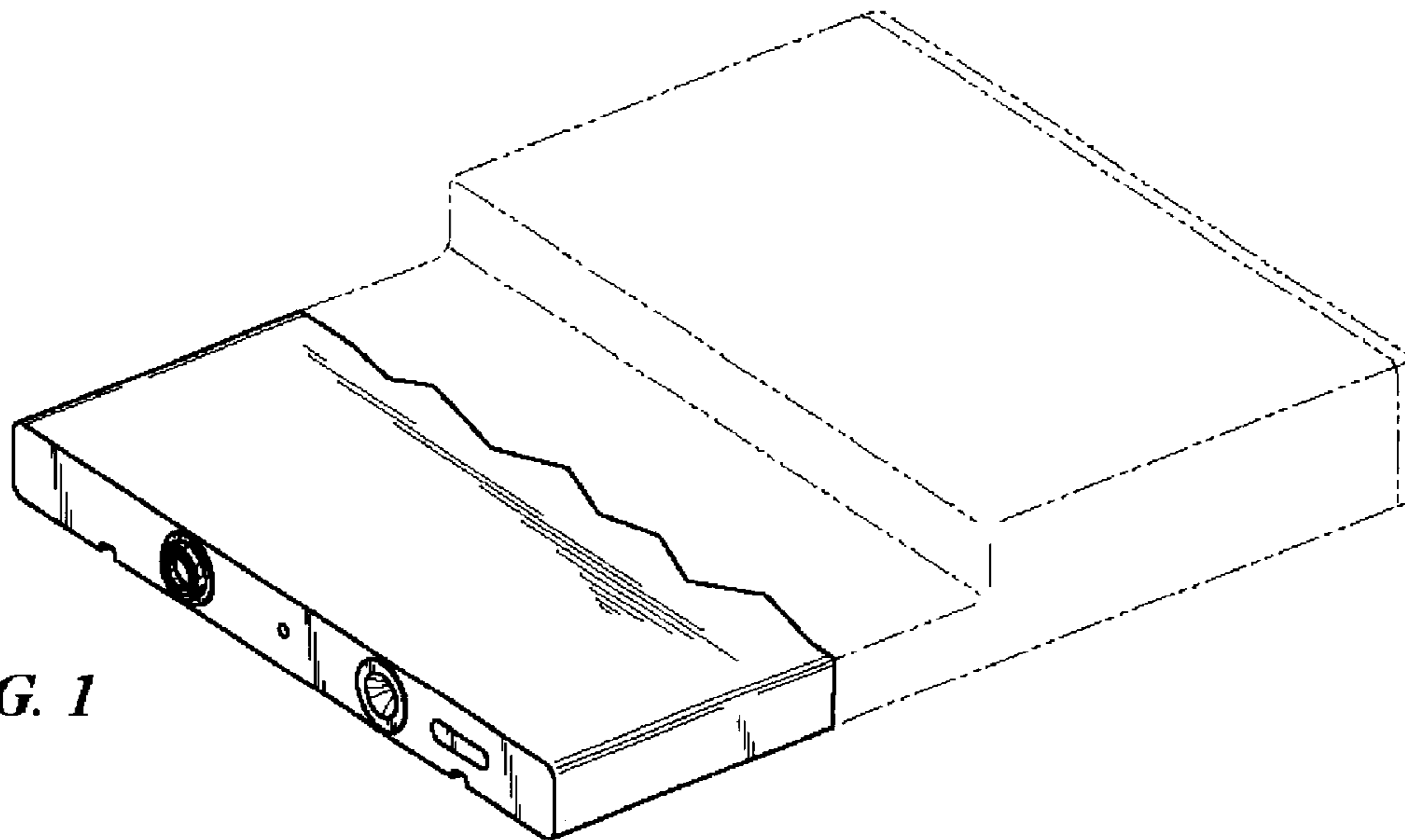


FIG. 1

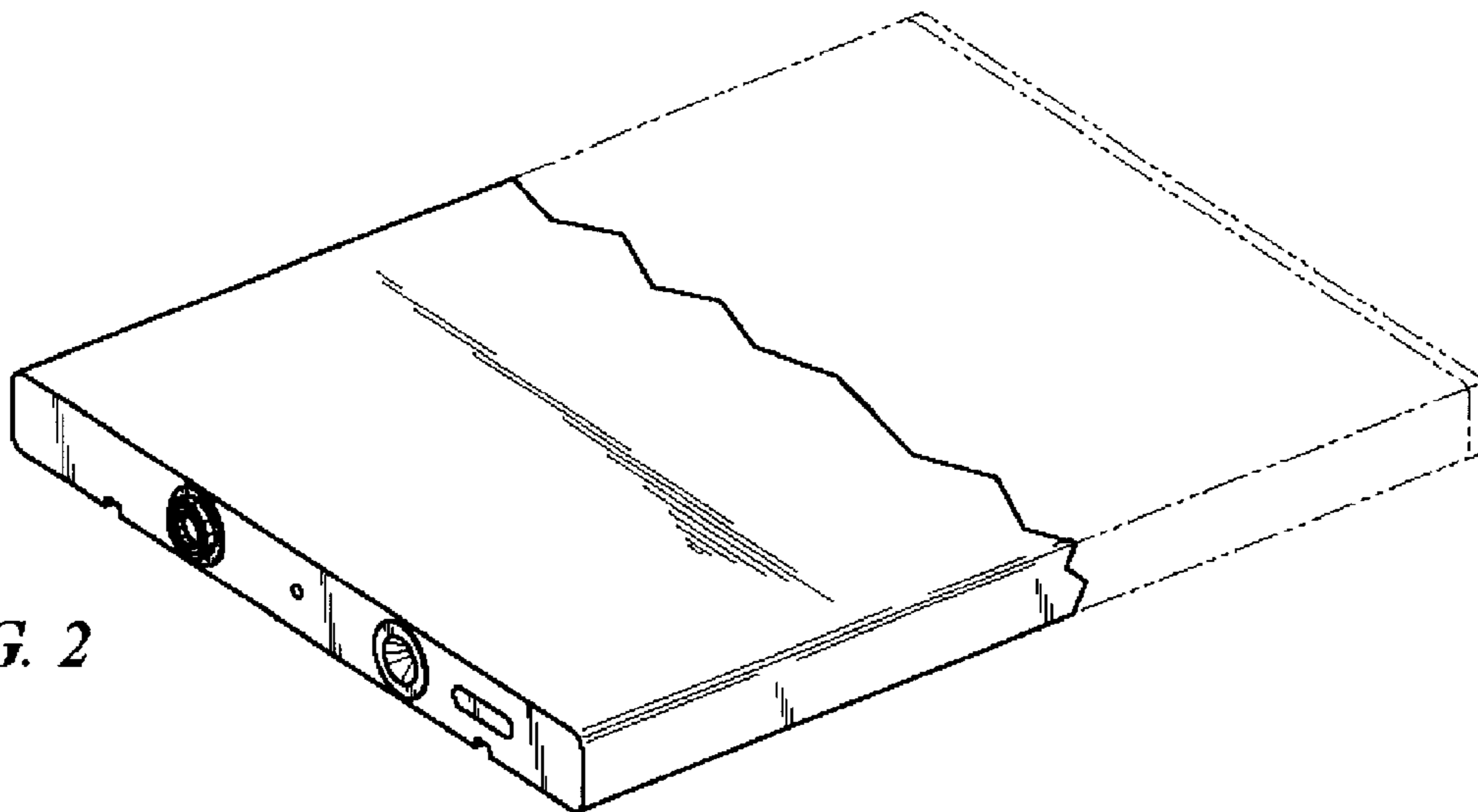


FIG. 2

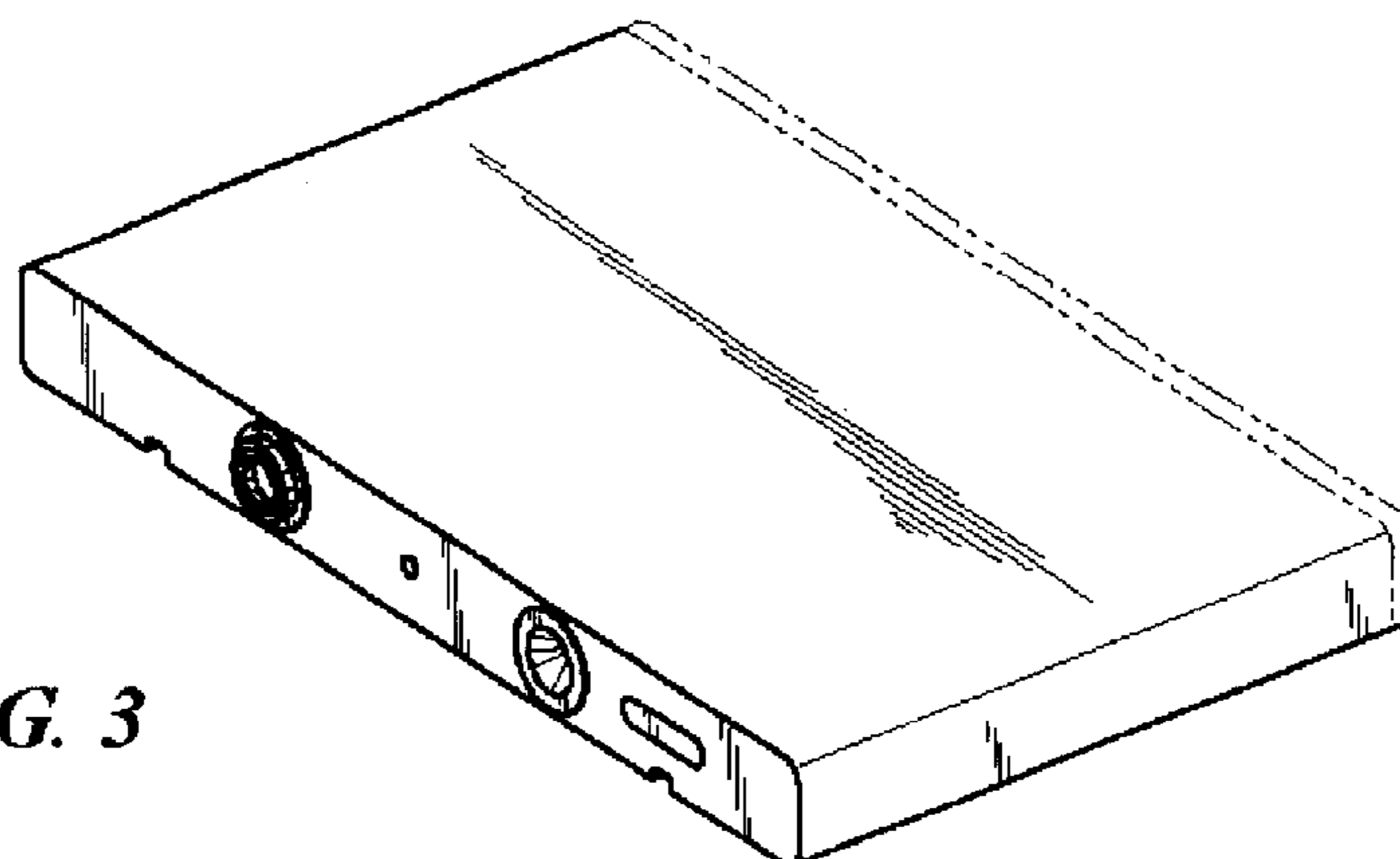


FIG. 3