



US00D520937S

(12) **United States Design Patent**  
**Eisenhauer**

(10) **Patent No.:** **US D520,937 S**

(45) **Date of Patent:** **\*\* May 16, 2006**

(54) **GOLF CART TOP**

(76) Inventor: **Philip D. Eisenhauer**, 3011 Eastburn Rd., Charlotte, NC (US) 28210

(\*\*) Term: **14 Years**

(21) Appl. No.: **29/230,858**

(22) Filed: **May 27, 2005**

(51) **LOC (8) Cl.** ..... **12-16**

(52) **U.S. Cl.** ..... **D12/401**

(58) **Field of Classification Search** ..... D12/401,  
D12/16, 1, 14; 280/DIG. 5, DIG. 6; 180/233,  
180/908, 65.1; 296/225, 210, 185.1, 116,  
296/100.11, 100.14, 77.1, 102-105; 135/88.01,  
135/88.05, 88.09

See application file for complete search history.

(56) **References Cited**

**U.S. PATENT DOCUMENTS**

4,621,859	A	*	11/1986	Spicher	.....	296/77.1
D291,878	S	*	9/1987	Cook	.....	D12/16
4,846,524	A		7/1989	Gerber	.....	296/116
4,950,017	A		8/1990	Norton	.....	296/77.1
D330,350	S	*	10/1992	Maypole et al.	.....	D12/16
5,339,851	A		8/1994	Miller et al.	.....	135/88
5,697,176	A		12/1997	Kuni, Jr. et al.	.....	40/591
D394,637	S	*	5/1998	Camiano	.....	D12/401
D413,283	S	*	8/1999	Stepp et al.	.....	D12/16
6,059,351	A		5/2000	Ehnes	.....	296/102
D431,018	S	*	9/2000	Maypole	.....	D12/401

6,199,932	B1		3/2001	Welsh et al.	.....	296/77.1
6,367,181	B1		4/2002	Skoog	.....	40/591
6,402,220	B1		6/2002	Allen	.....	296/77.1
D469,734	S	*	2/2003	Tyrer	.....	D12/401
6,543,830	B1		4/2003	Stuck	.....	296/77.1
6,547,312	B1		4/2003	Winkler	.....	296/100.14
D478,859	S	*	8/2003	Tyrer	.....	D12/401
6,659,211	B1		12/2003	Esposito	.....	180/65.1
6,725,871	B1		4/2004	Shearer et al.	.....	135/88.01
D491,876	S	*	6/2004	Geisler et al.	.....	D12/401
D497,587	S	*	10/2004	Tyrer	.....	D12/401
2002/0089207	A1		7/2002	Bayerle et al.	.....	296/77.1

\* cited by examiner

*Primary Examiner*—Stacia Cadmus

(74) *Attorney, Agent, or Firm*—Kennedy Covington Lobdell & Hickman, LLP

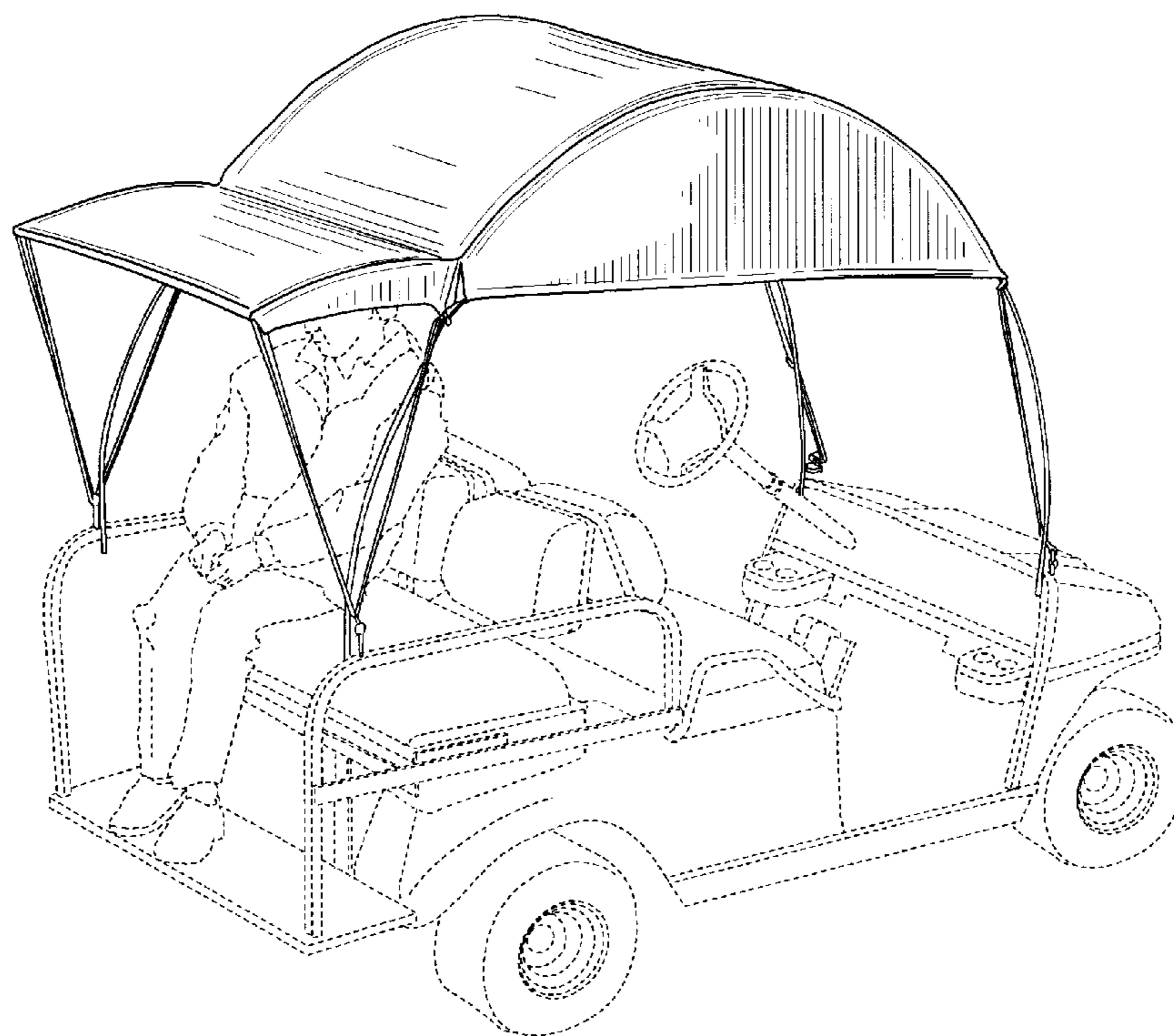
(57) **CLAIM**

The ornamental design for a golf cart top, as shown and described.

**DESCRIPTION**

FIG. 1 is a perspective view of a golf cart top showing my design, the broken lines showing a golf cart being environmental only and forming no part of the claimed design; FIG. 2 is a left side view thereof; FIG. 3 is a right side view thereof; FIG. 4 is a top view thereof; FIG. 5 is a front view thereof; and, FIG. 6 is a back view thereof.

**1 Claim, 5 Drawing Sheets**



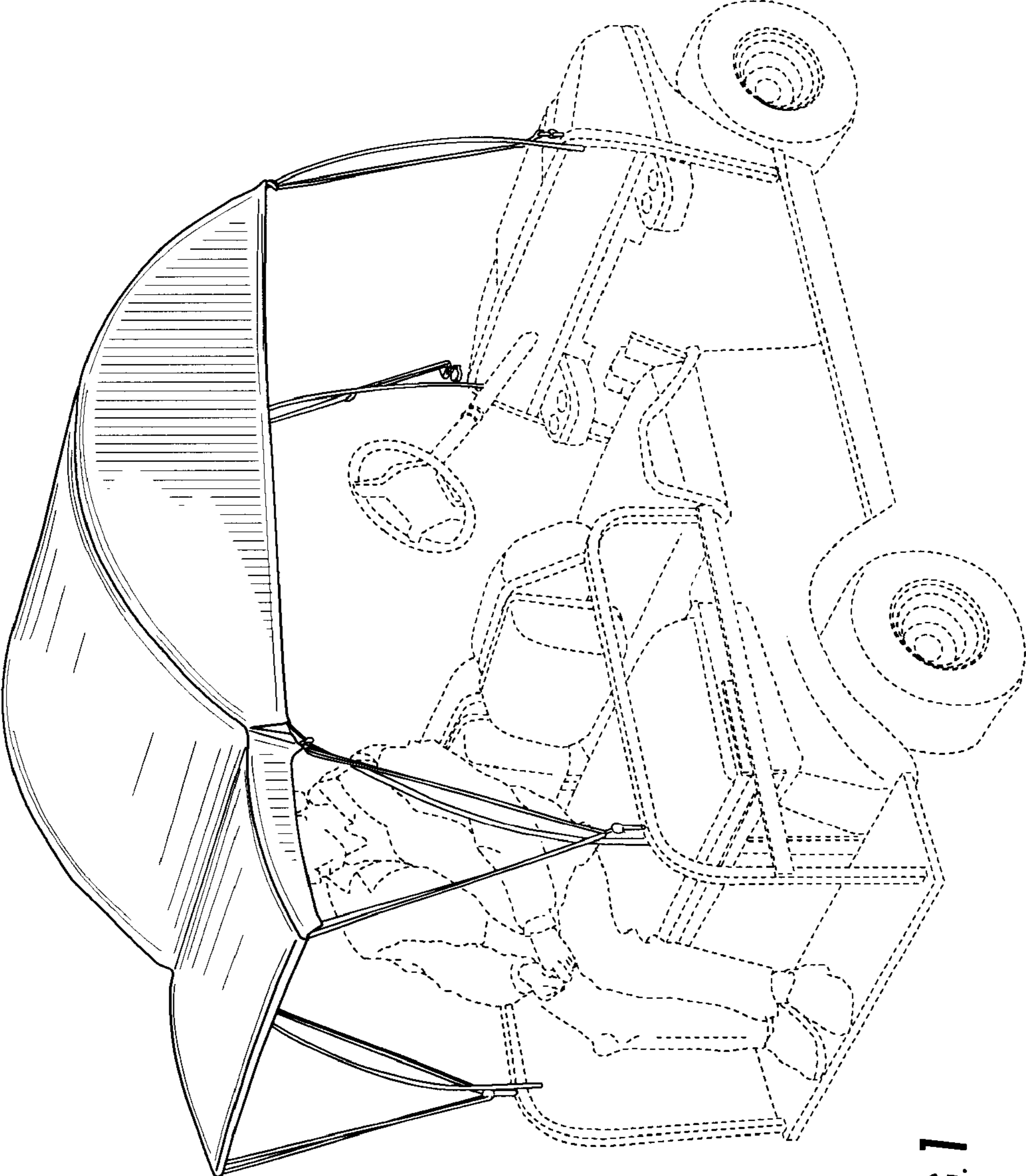


FIG. 1

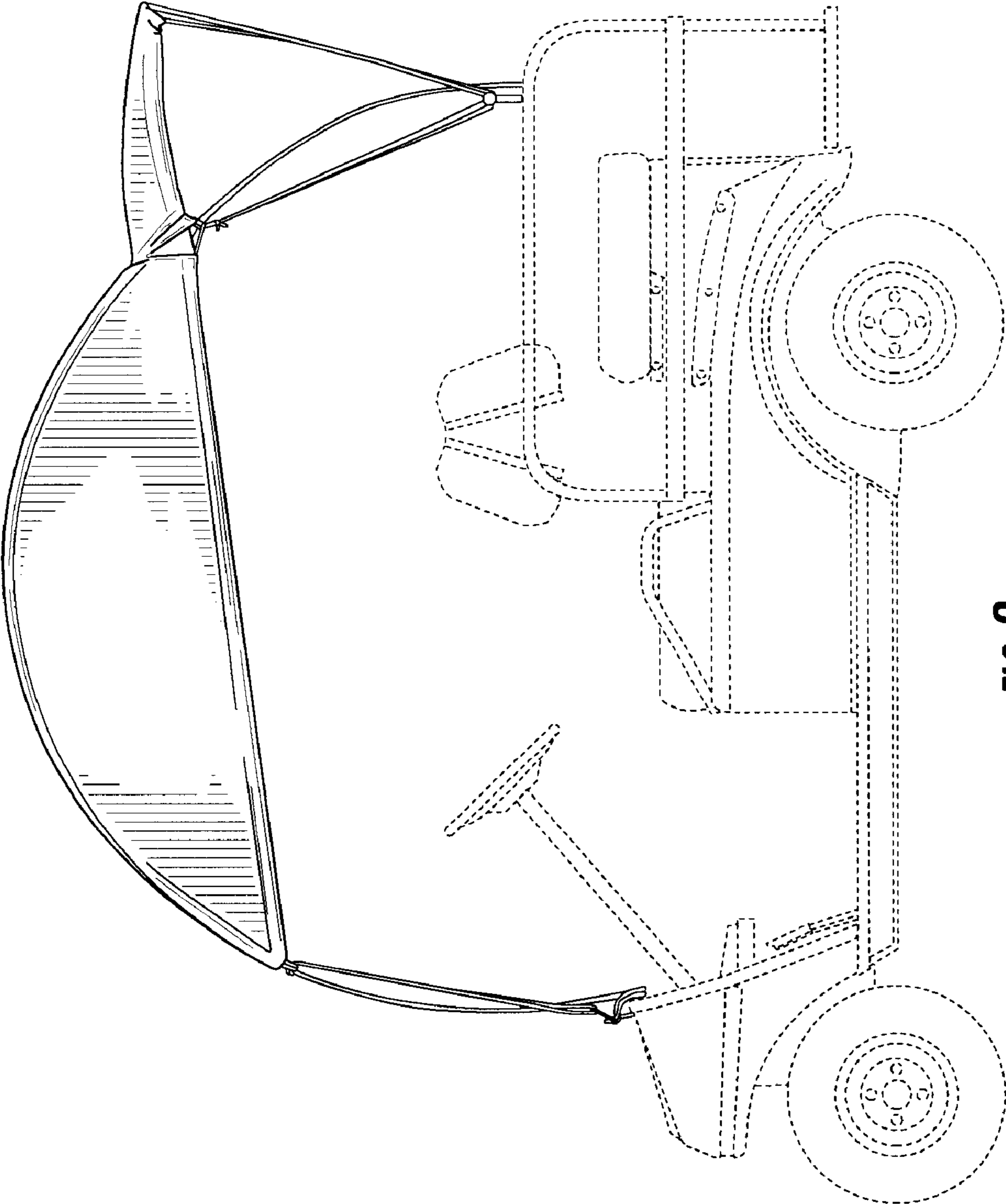


FIG. 2

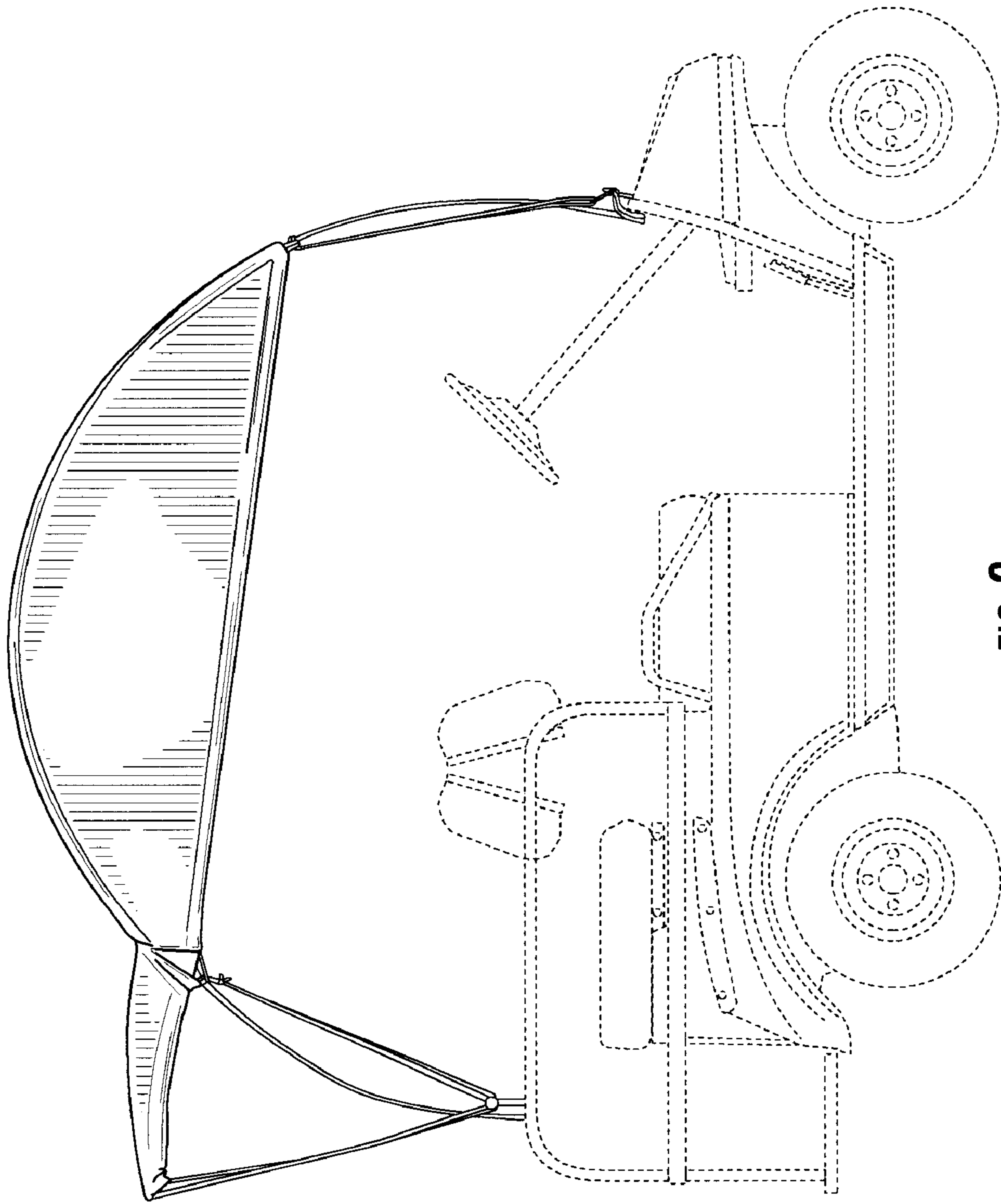


FIG. 3

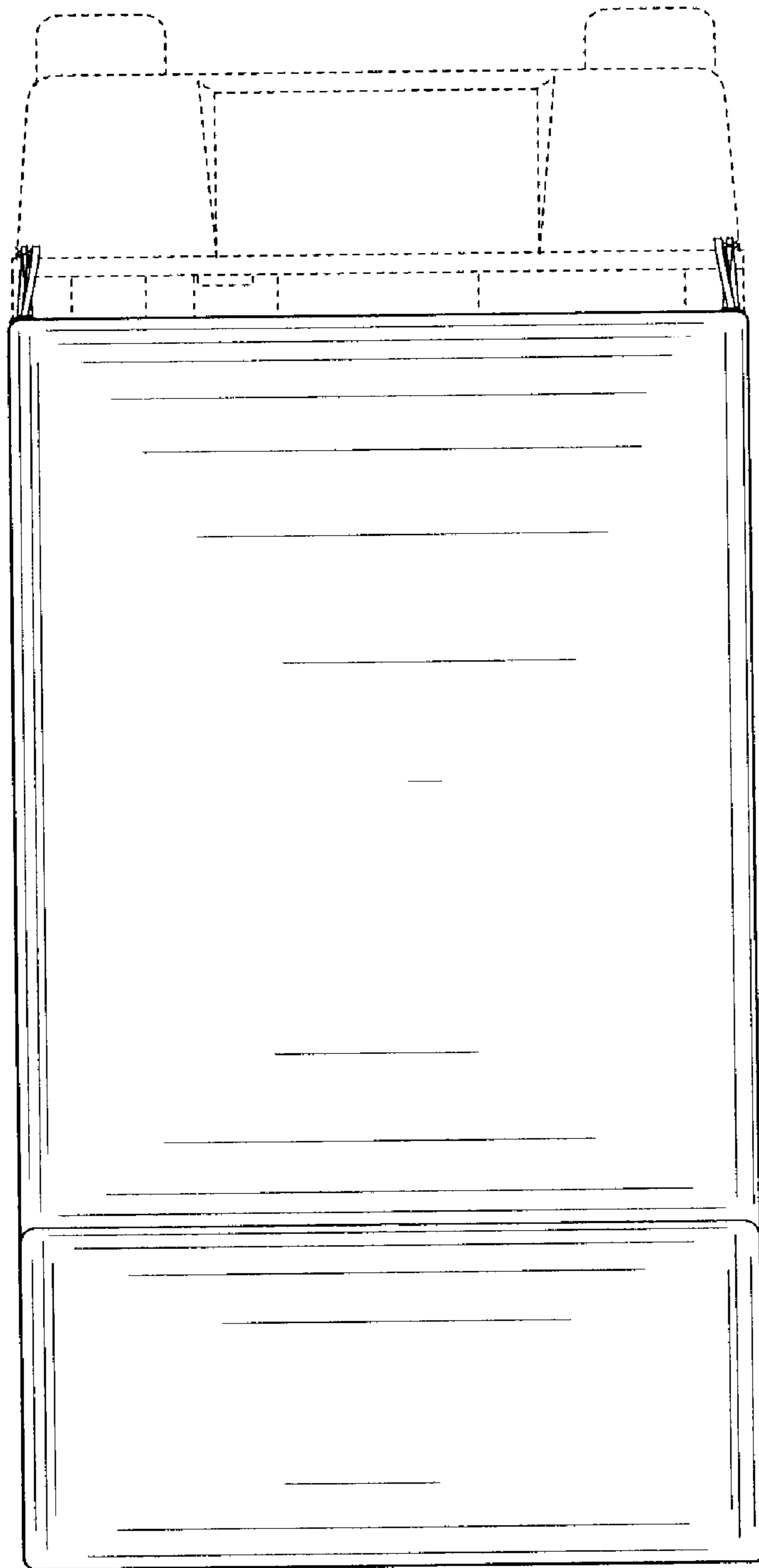


FIG. 4

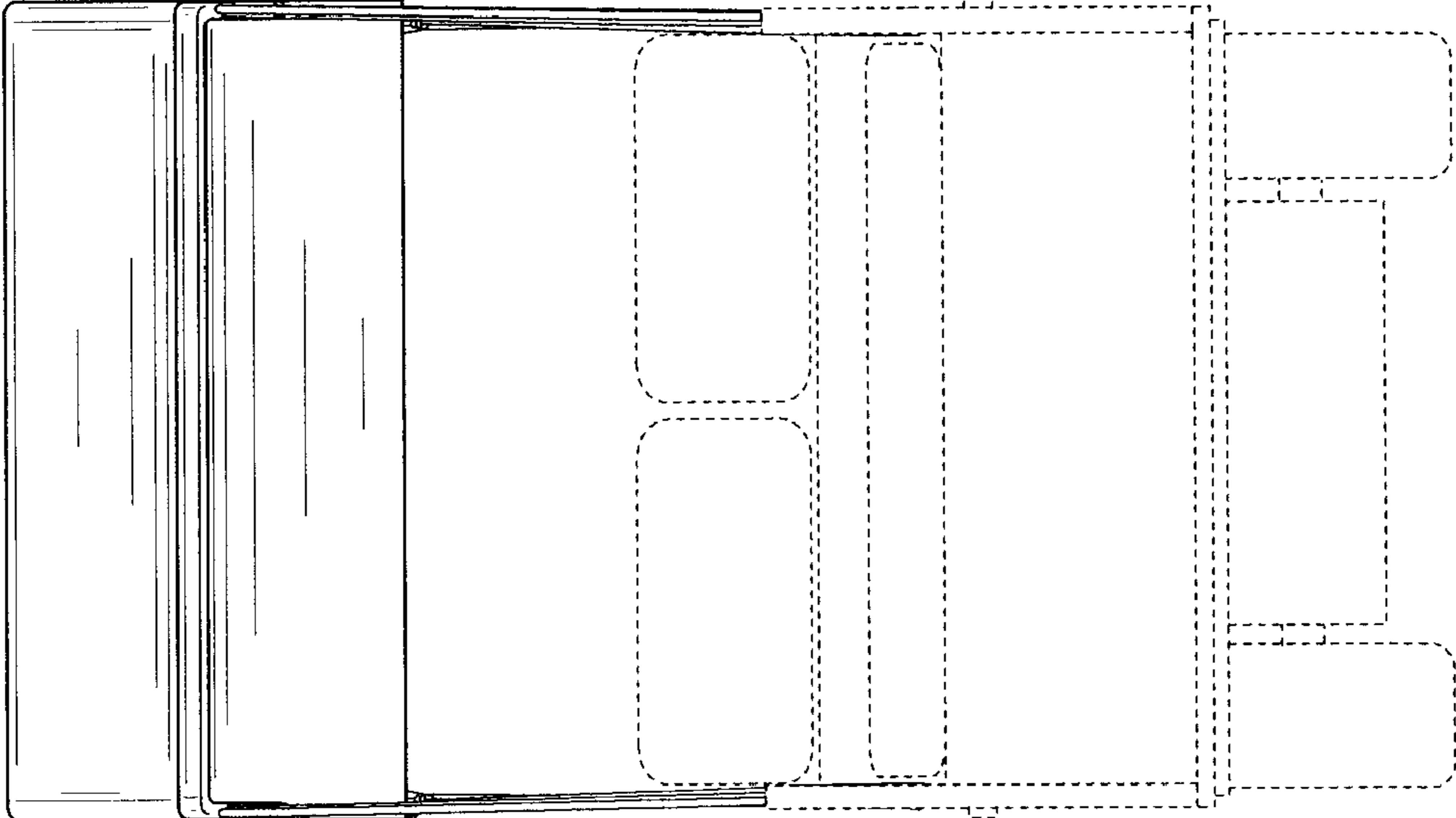


FIG. 6

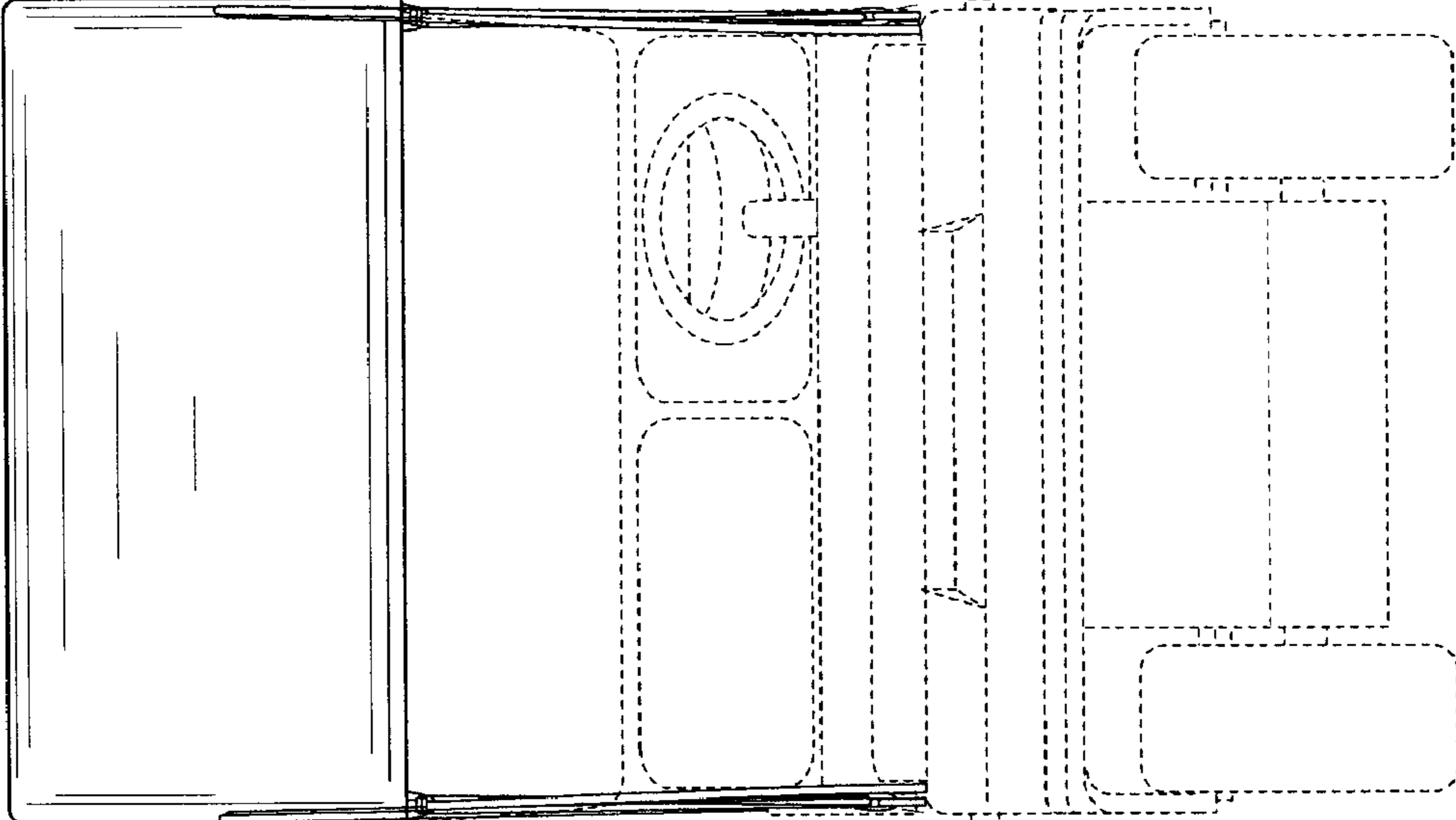


FIG. 5