

US00D520934S

(12) **United States Design Patent**
Szavits

(10) **Patent No.:** **US D520,934 S**

(45) **Date of Patent:** **** May 16, 2006**

(54) **FRONT FACE OF A VEHICLE WHEEL**

(75) Inventor: **Michael Szavits**, Munich (DE)

(73) Assignee: **Bayerische Motoren Werke
Aktiengesellschaft**, Munich (DE)

(**) Term: **14 Years**

D448,714 S	*	10/2001	Pusdesris et al.	D12/211
D451,066 S	*	11/2001	Pfeiffer et al.	D12/211
D454,825 S	*	3/2002	Amatino	D12/211
D460,032 S	*	7/2002	Mattin	D12/209
D466,466 S	*	12/2002	Laengerer	D12/211
D471,852 S	*	3/2003	Pfeiffer et al.	D12/211
D480,677 S	*	10/2003	Atwell	D12/211
D484,446 S	*	12/2003	Pfeiffer et al.	D12/211

FOREIGN PATENT DOCUMENTS

WO DM/056013 6/2001

* cited by examiner

Primary Examiner—Stacia Cadmus

(74) *Attorney, Agent, or Firm*—Crowell & Moring LLP

(21) Appl. No.: **29/236,073**

(22) Filed: **Aug. 11, 2005**

(30) **Foreign Application Priority Data**

Feb. 25, 2005 (DE) 4 05 01 152

(51) **LOC (8) Cl.** **12-16**

(52) **U.S. Cl.** **D12/211**

(58) **Field of Classification Search** D12/204–213;
301/37.101, 64.101, 65

See application file for complete search history.

(57) **CLAIM**

The ornamental design for a front face of a vehicle wheel, as shown and described.

DESCRIPTION

FIG. 1 is a front view of a front face of a vehicle wheel according to my novel design; and,

FIG. 2 is a perspective view of the front face of a vehicle wheel according to my novel design.

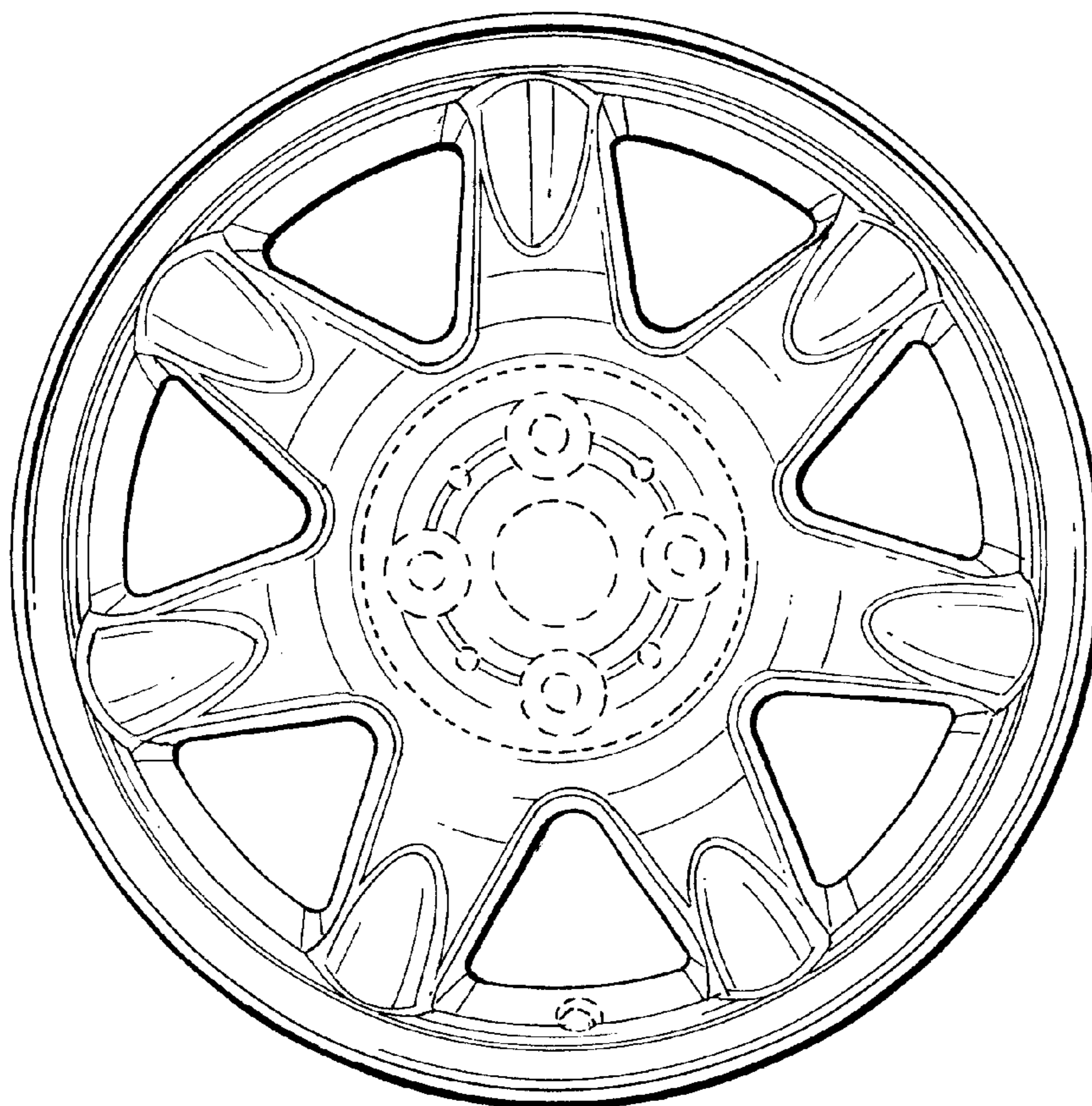
The broken lines are for illustrative purposes only and form no part of the claimed design.

(56) **References Cited**

U.S. PATENT DOCUMENTS

D383,722 S	*	9/1997	Sgalia et al.	D12/209
D401,899 S	*	12/1998	Pfeiffer	D12/209
D427,131 S	*	6/2000	Wang	D12/211
D440,198 S	*	4/2001	Ivanova et al.	D12/209
D440,534 S	*	4/2001	Ivanova et al.	D12/211

1 Claim, 1 Drawing Sheet



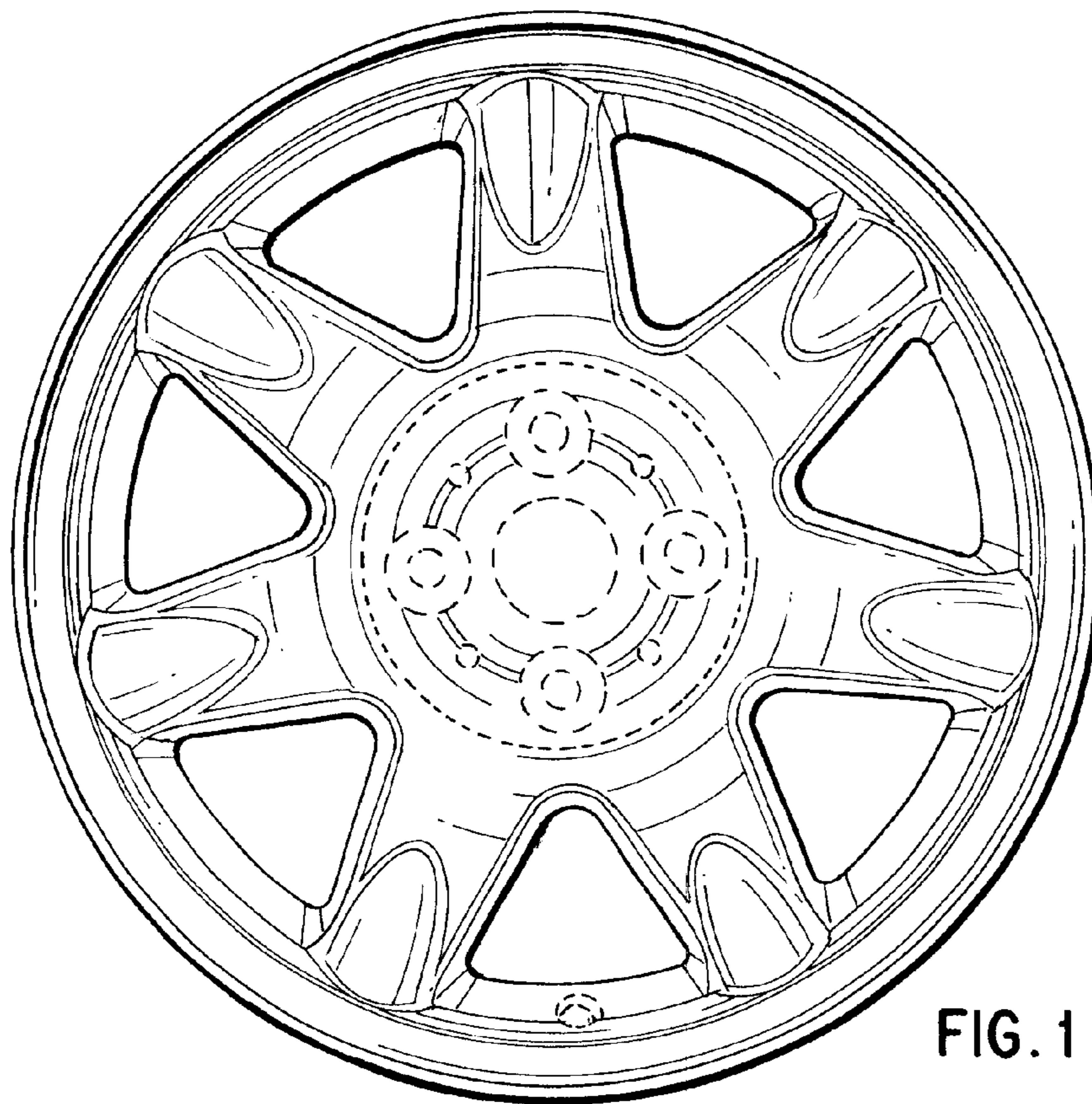


FIG. 1

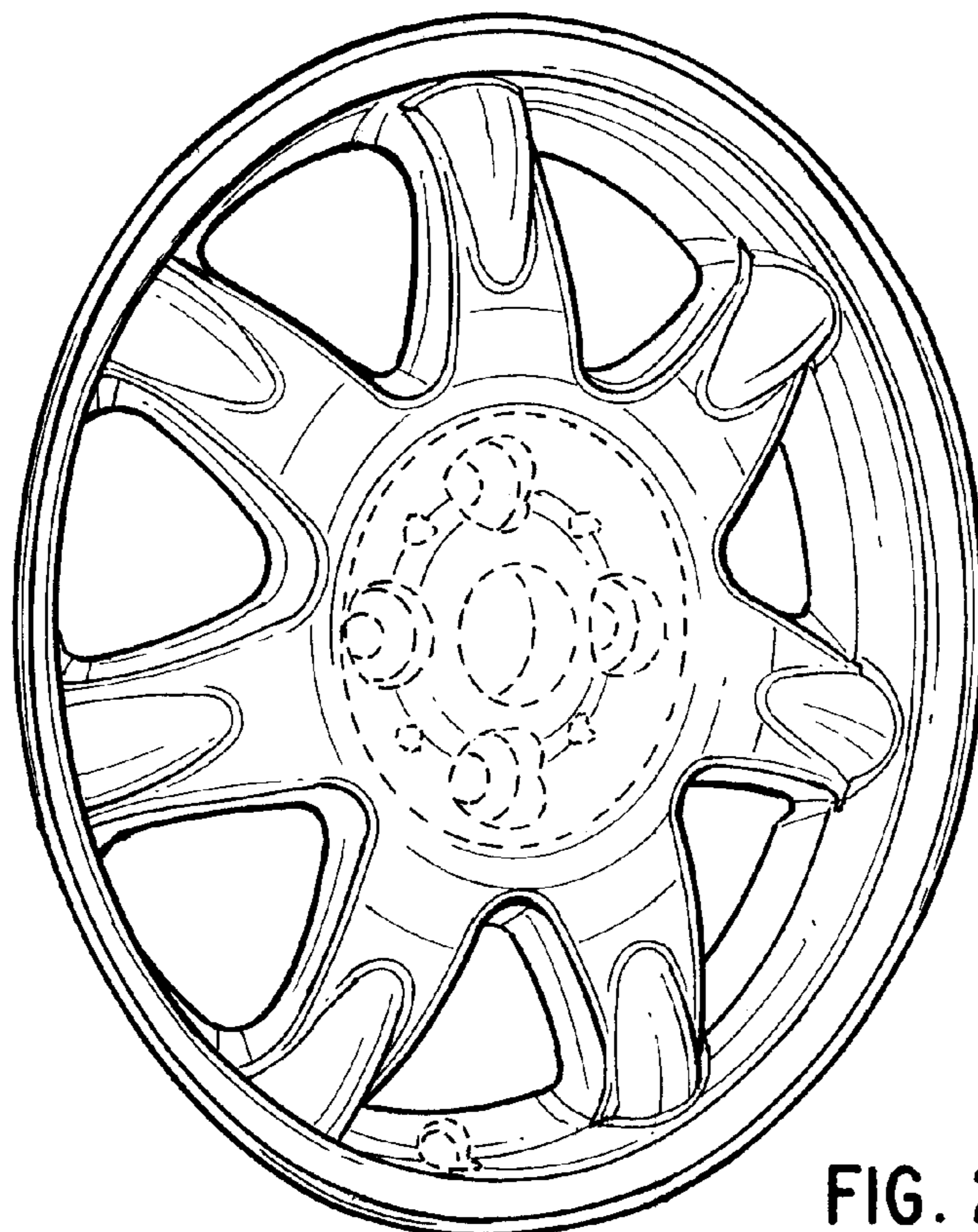


FIG. 2