

US00D520929S

(12) **United States Design Patent**
Matei et al.

(10) **Patent No.:** **US D520,929 S**

(45) **Date of Patent:** **** May 16, 2006**

(54) **WHEEL**

(75) Inventors: **Catalin Matei**, Redondo Beach, CA
(US); **Randall Smock**, Pasadena, CA
(US); **Pete Petersen**, Palos Verdes, CA
(US)

(73) Assignee: **Honda Motor Co., Ltd.**, Tokyo (JP)

(**) Term: **14 Years**

(21) Appl. No.: **29/231,617**

(22) Filed: **Jun. 8, 2005**

(51) **LOC (8) Cl.** **12-16**

(52) **U.S. Cl.** **D12/209**

(58) **Field of Classification Search** D12/204-213;
301/37.101, 64.101, 65
See application file for complete search history.

(56) **References Cited**

U.S. PATENT DOCUMENTS

D461,754 S * 8/2002 Hoshino D12/209
D480,031 S * 9/2003 Mattin et al. D12/209

D493,405 S * 7/2004 Boyer D12/211
D497,132 S * 10/2004 Lee D12/209
D501,440 S * 2/2005 Pfeiffer D12/211
D505,371 S * 5/2005 Hueller D12/209
D507,221 S * 7/2005 Stopka D12/209
D508,671 S * 8/2005 Baum D12/209

* cited by examiner

Primary Examiner—Stacia Cadmus

(74) *Attorney, Agent, or Firm*—Plumsea Law Group, LLC;
Mark E. Duell

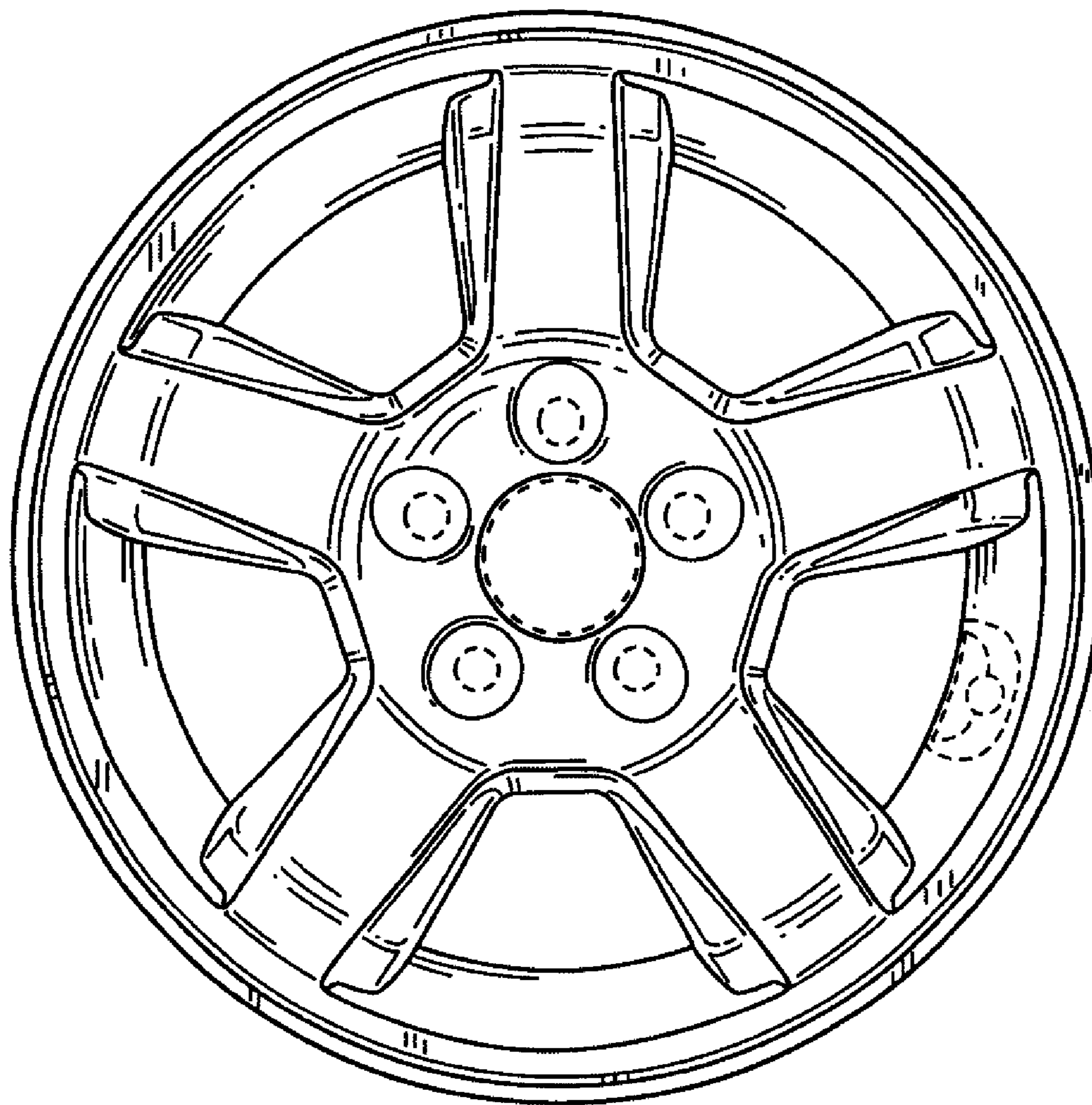
(57) **CLAIM**

The ornamental design for a wheel, as shown and described.

DESCRIPTION

FIG. 1 is a front view of a wheel showing my new design;
and,
FIG. 2 is a perspective view thereof.
The broken line showings of the circles in the hub area, and
the valve stem features are for illustrative purposes only and
form no part of the claimed design.

1 Claim, 1 Drawing Sheet



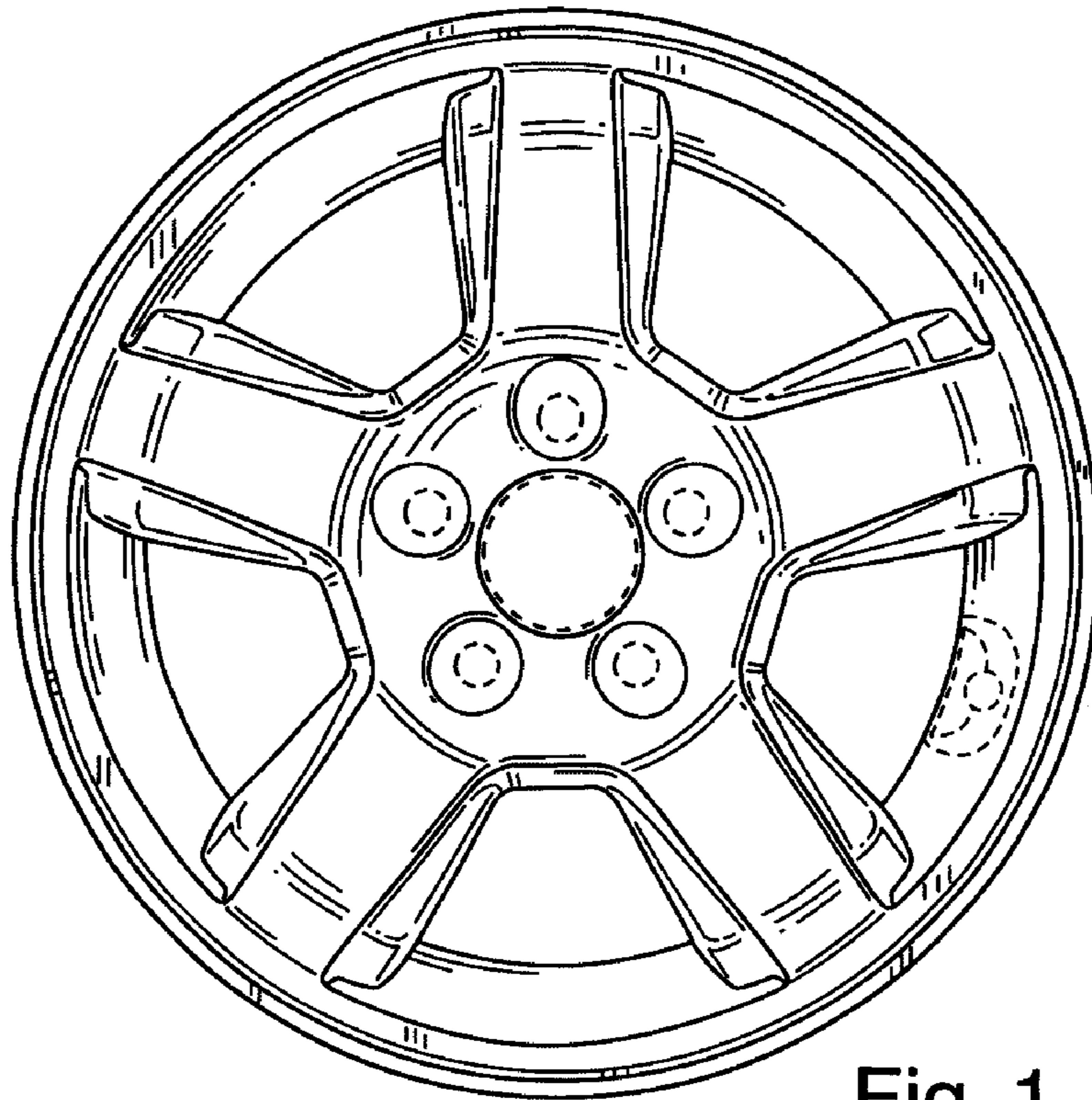


Fig. 1

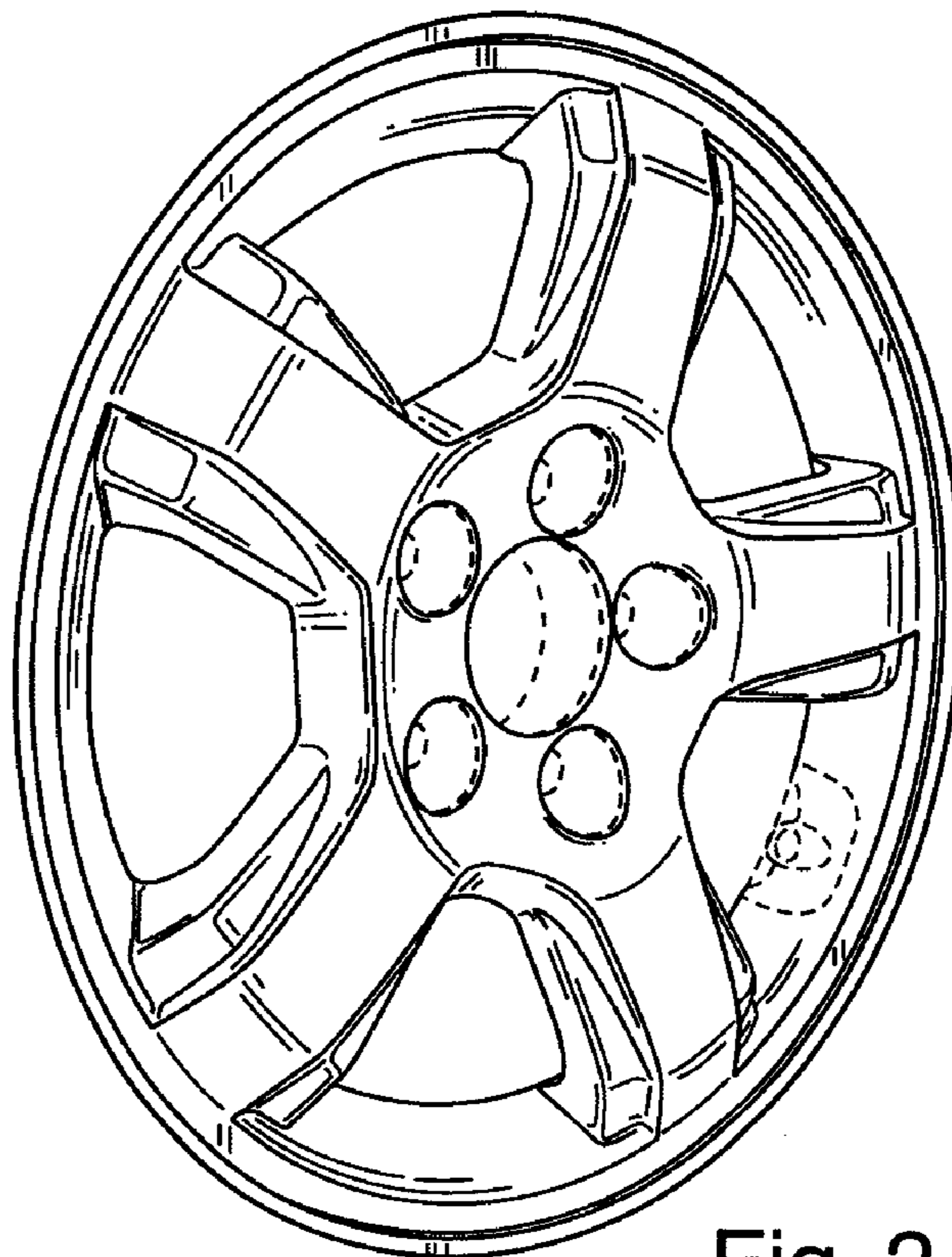


Fig. 2