



US00D520928S

(12) **United States Design Patent**
Matei et al.

(10) **Patent No.:** **US D520,928 S**

(45) **Date of Patent:** **** May 16, 2006**

(54) **REAR PORTION OF A VEHICLE**

(75) Inventors: **Catalin Matei**, Redondo Beach, CA (US); **Chi Jung**, Torrance, CA (US); **Darryl Covey**, Torrance, CA (US)

(73) Assignee: **Honda Motor Co., Ltd.**, Tokyo (JP)

(**) Term: **14 Years**

(21) Appl. No.: **29/226,641**

(22) Filed: **Mar. 31, 2005**

(51) **LOC (8) Cl.** **12-16**

(52) **U.S. Cl.** **D12/196**

(58) **Field of Classification Search** D12/196,
D12/90-92, 86; 296/181.1
See application file for complete search history.

(56) **References Cited**

U.S. PATENT DOCUMENTS

- D420,317 S * 2/2000 Ney D12/196
- D424,980 S * 5/2000 Hunter et al. D12/91
- D457,115 S * 5/2002 Mahoney et al. D12/196
- D457,844 S * 5/2002 Linson et al. D12/196
- D460,022 S 7/2002 Hsu et al.

- D491,855 S * 6/2004 Velazco D12/196
- D494,913 S * 8/2004 Chapman D12/196
- D505,890 S * 6/2005 Kubota et al. D12/91
- D510,543 S * 10/2005 Matsuoka et al. D12/91

* cited by examiner

Primary Examiner—Melody N. Brown

(74) *Attorney, Agent, or Firm*—Plumsea Law Group, LLC;
Mark E. Duell

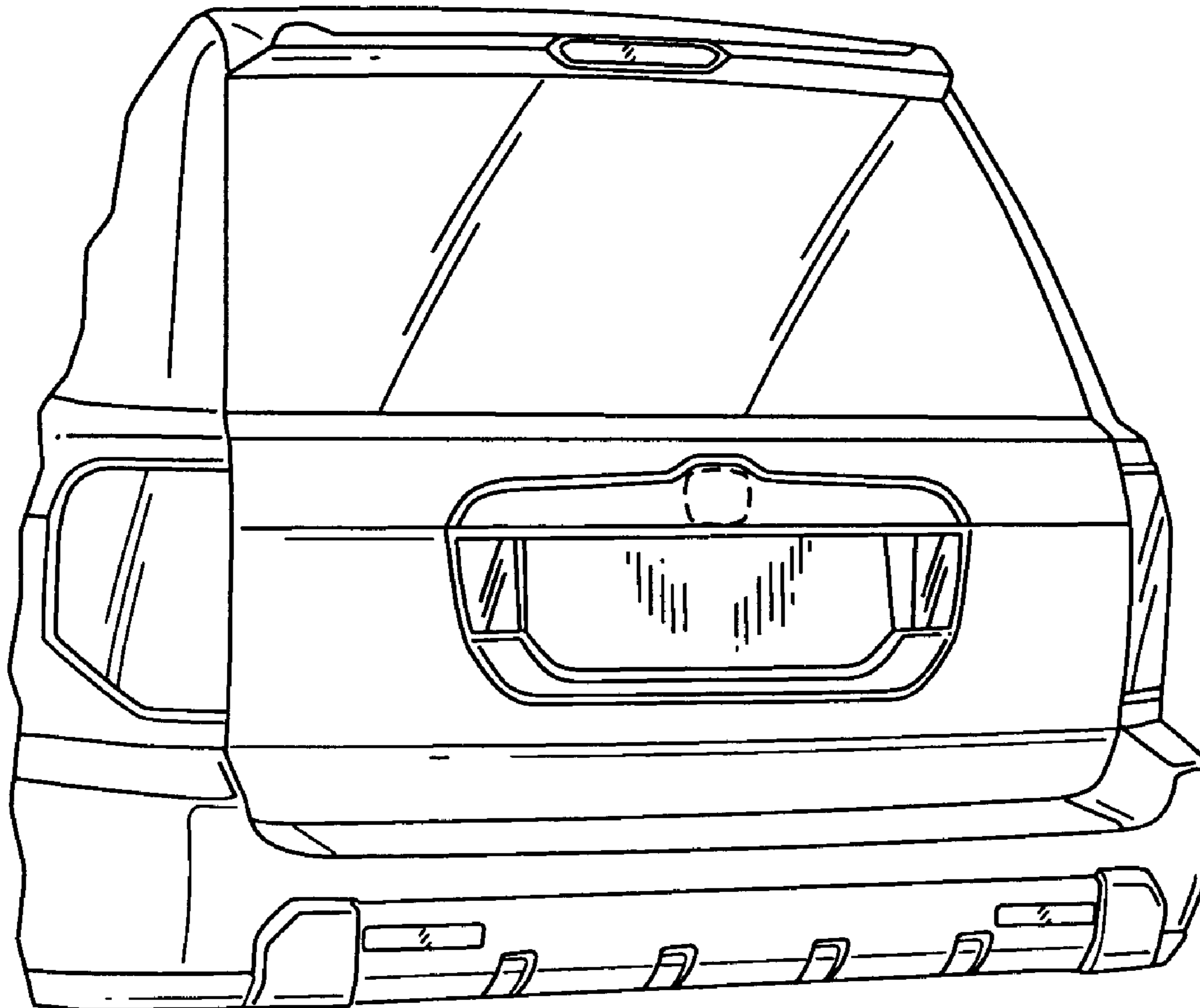
(57) **CLAIM**

The ornamental design for a rear portion of a vehicle, as shown and described.

DESCRIPTION

FIG. 1 is an elevational view of a rear portion of a vehicle showing my new design;
FIG. 2 is a side elevational view thereof, the opposite side being a mirror image thereof; and,
FIG. 3 is a perspective view thereof.
The broken line showing of the rectangle in the license plate area is for illustrative purposes only and forms no part of the claimed design. The jagged line indicates a boundary of the claim and is not part of the claimed design.

1 Claim, 2 Drawing Sheets



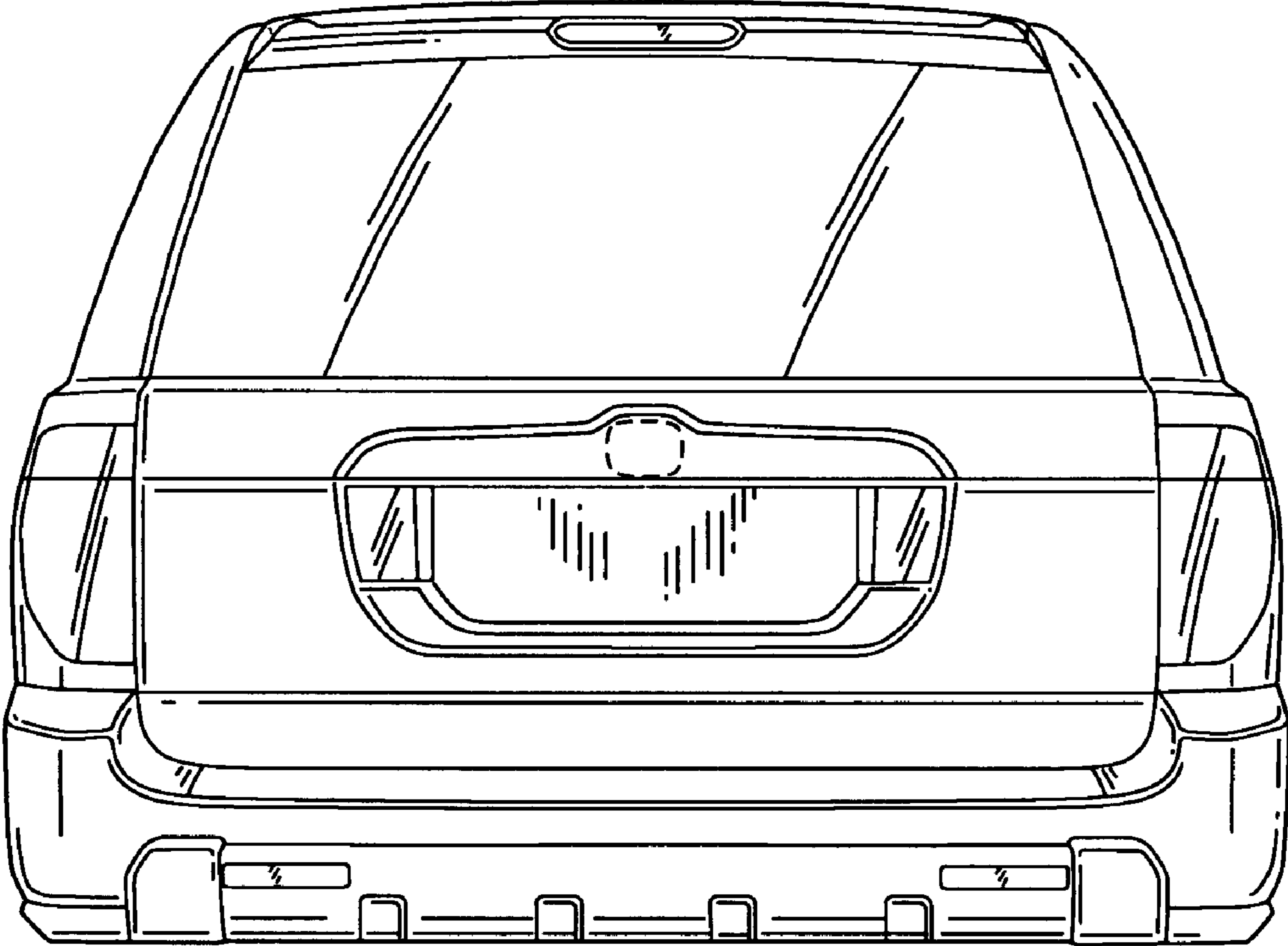


Fig. 1

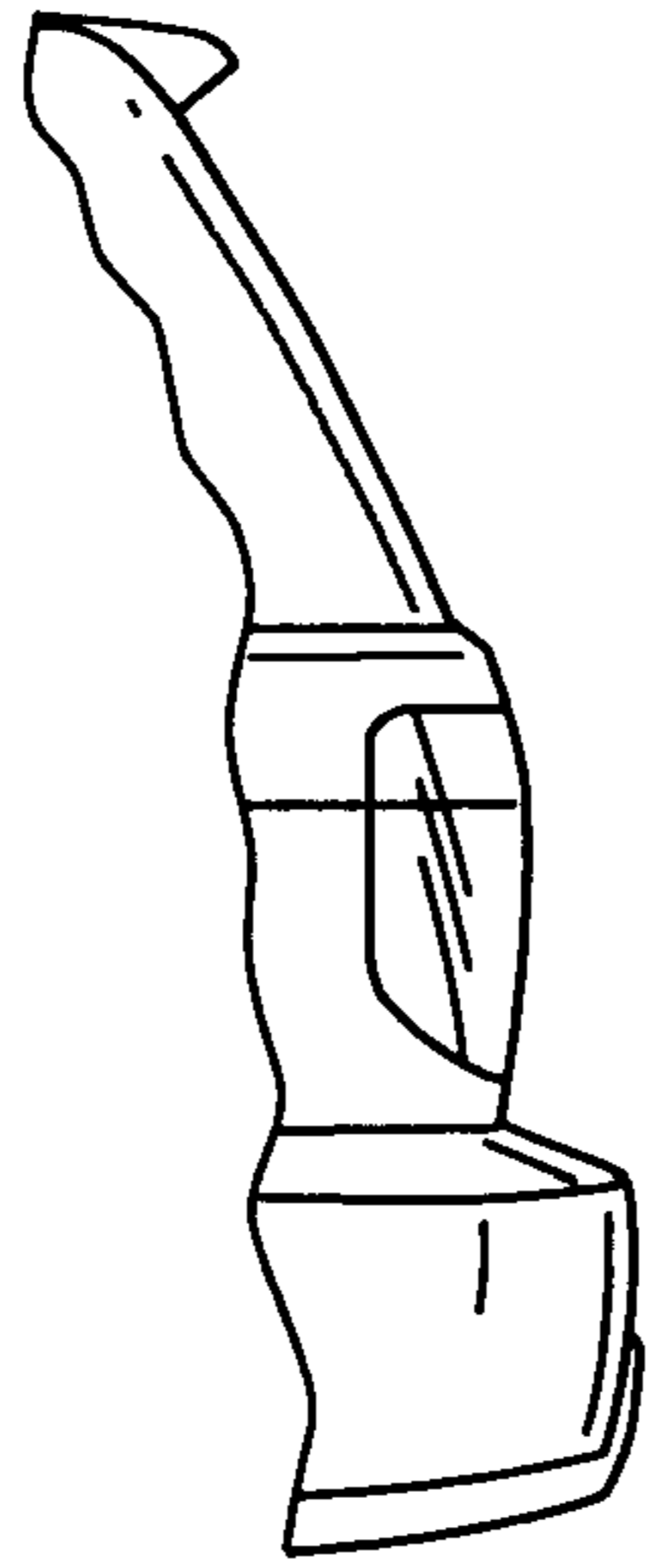


Fig. 2

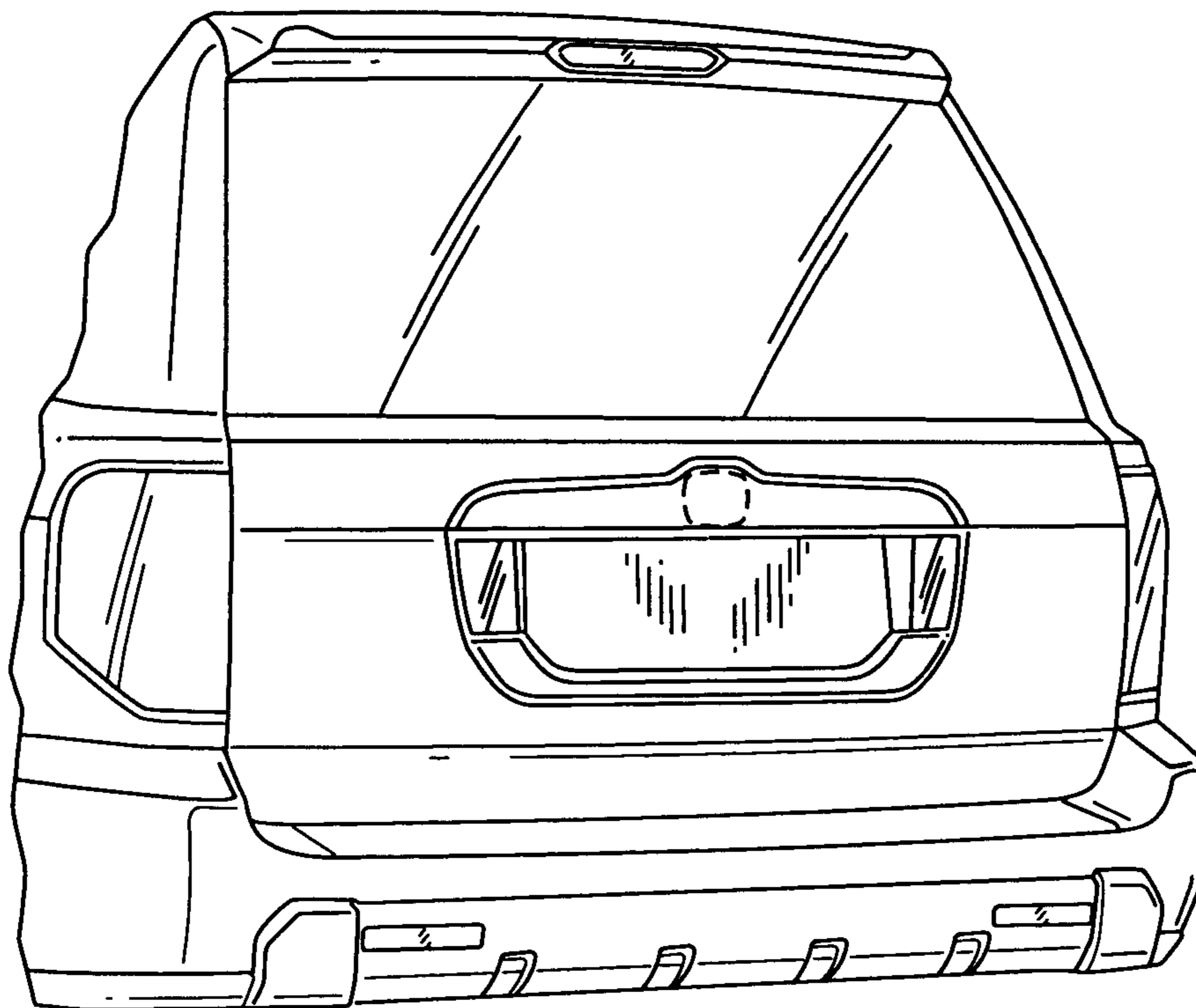


Fig. 3