



US00D520919S

(12) **United States Design Patent**  
**Morrow et al.**

(10) **Patent No.:** **US D520,919 S**

(45) **Date of Patent:** **\*\* May 16, 2006**

(54) **KICK STAND**

(76) Inventors: **David D. Morrow**, 1344 Garnet Ave., San Diego, CA (US) 92109; **Hondre C. Moreno**, 1344 Garnet Ave., San Diego, CA (US) 92109

(\*\*) Term: **14 Years**

(21) Appl. No.: **29/226,858**

(22) Filed: **Apr. 1, 2005**

(51) **LOC (8) Cl.** ..... **12-11**

(52) **U.S. Cl.** ..... **D12/120**

(58) **Field of Classification Search** ..... D12/115, D12/120; 280/300, 301, 303, 304, 293; D21/567, D21/570, 573, 574; D22/100, 103, 104; 42/7, 42/10, 37, 64, 65, 74, 70.01, 71.02, 75.03, 42/76.01, 40; 89/1.41, 14.05; 446/401, 406, 446/473, 475; 124/74, 76, 66, 31, 67  
See application file for complete search history.

(56) **References Cited**

U.S. PATENT DOCUMENTS

D108,985 S \* 3/1938 Pugsley ..... D22/103  
2,196,732 A \* 4/1940 Lefever ..... 124/67  
3,022,779 A \* 2/1962 Benkoe ..... D21/573 X

\* cited by examiner

*Primary Examiner*—Alan P. Douglas

*Assistant Examiner*—Linda Brooks

(74) *Attorney, Agent, or Firm*—Frank G. Morkunas

(57) **CLAIM**

We claim the ornamental design for the kick stand, as shown and described.

**DESCRIPTION**

FIG. 1 is a right-side elevation view of a kick stand showing the new design.

FIG. 2 is a top plan view of a kick stand showing the new design.

FIG. 3 is a rear elevation view of the kick stand showing the new design.

FIG. 4 is a left-side elevation view of a kick stand showing the new design.

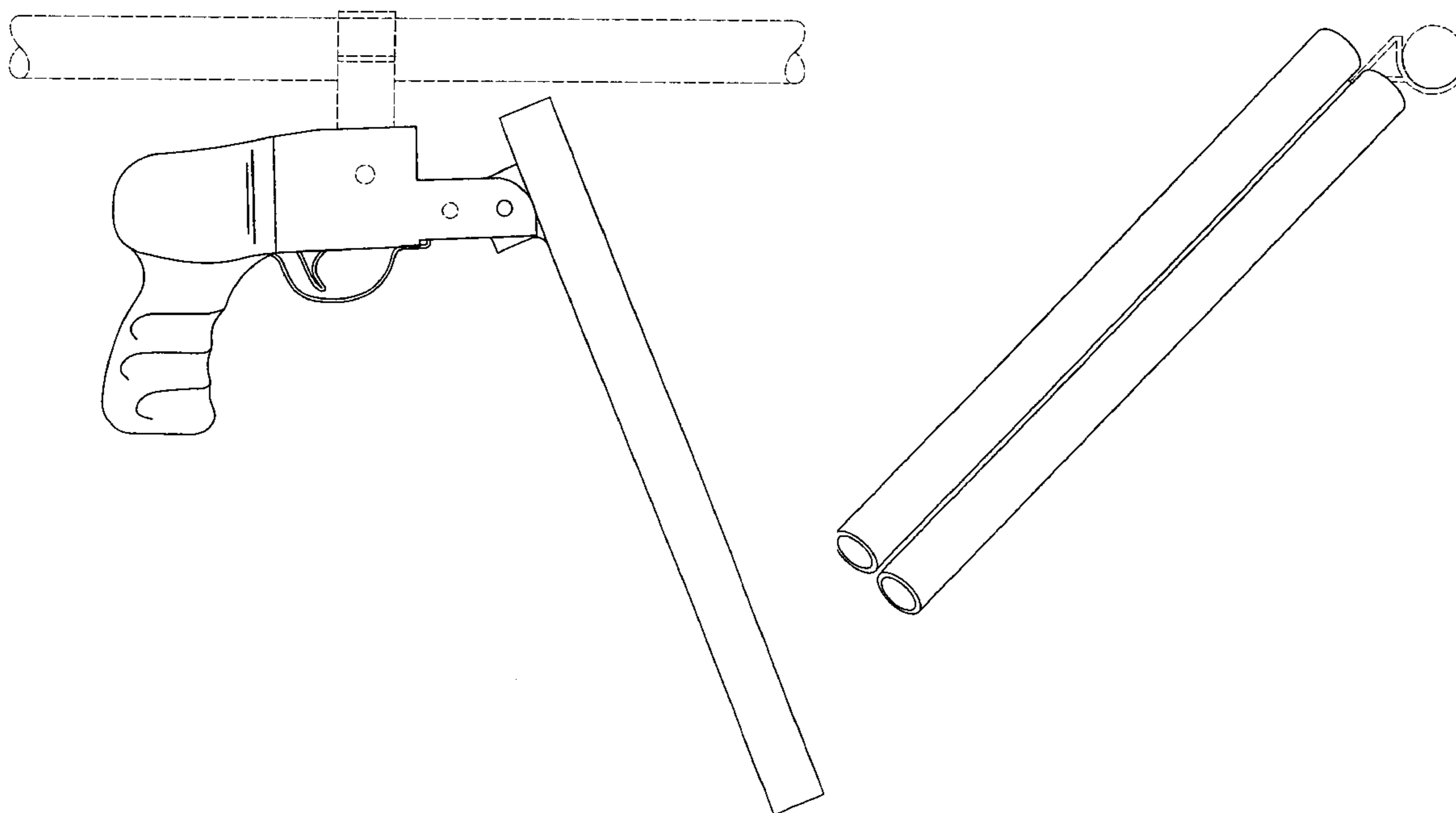
FIG. 5 is front elevation view of the kick stand showing the new design.

FIG. 6 is a bottom view of a the kick stand showing the new design.

FIG. 7 is a right-side elevation view of the kick stand in an open and engaged position to support a motorcycle; and, FIG. 8 is a front elevation view of the simulative barrels shown in FIG. 7, shown separately for clarity.

The phantom lines in the figures are intended only to aid in the understanding of the claimed design, are for illustration purposes only showing an article upon which the claimed design may be associated or applied, and form no part of the claimed design.

**1 Claim, 3 Drawing Sheets**



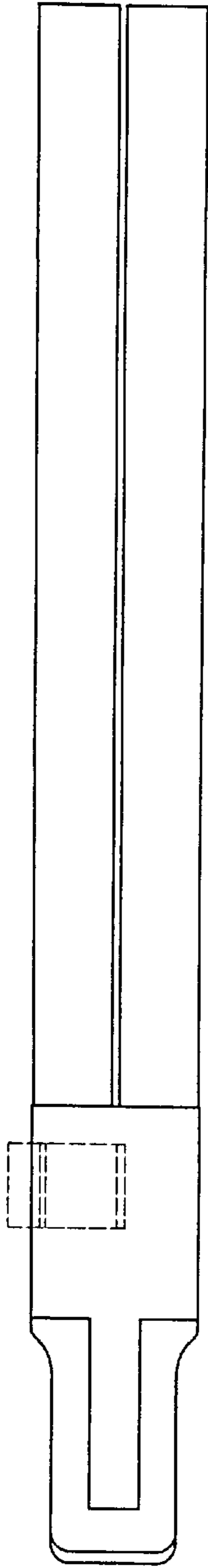


FIG. 2

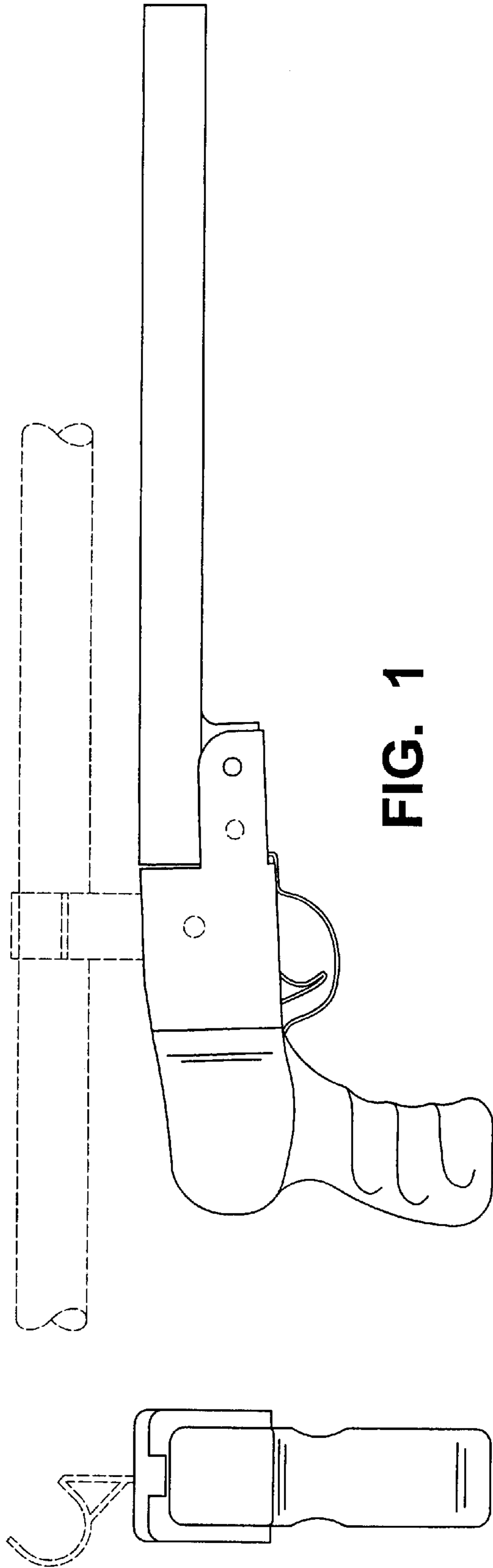


FIG. 1

FIG. 3

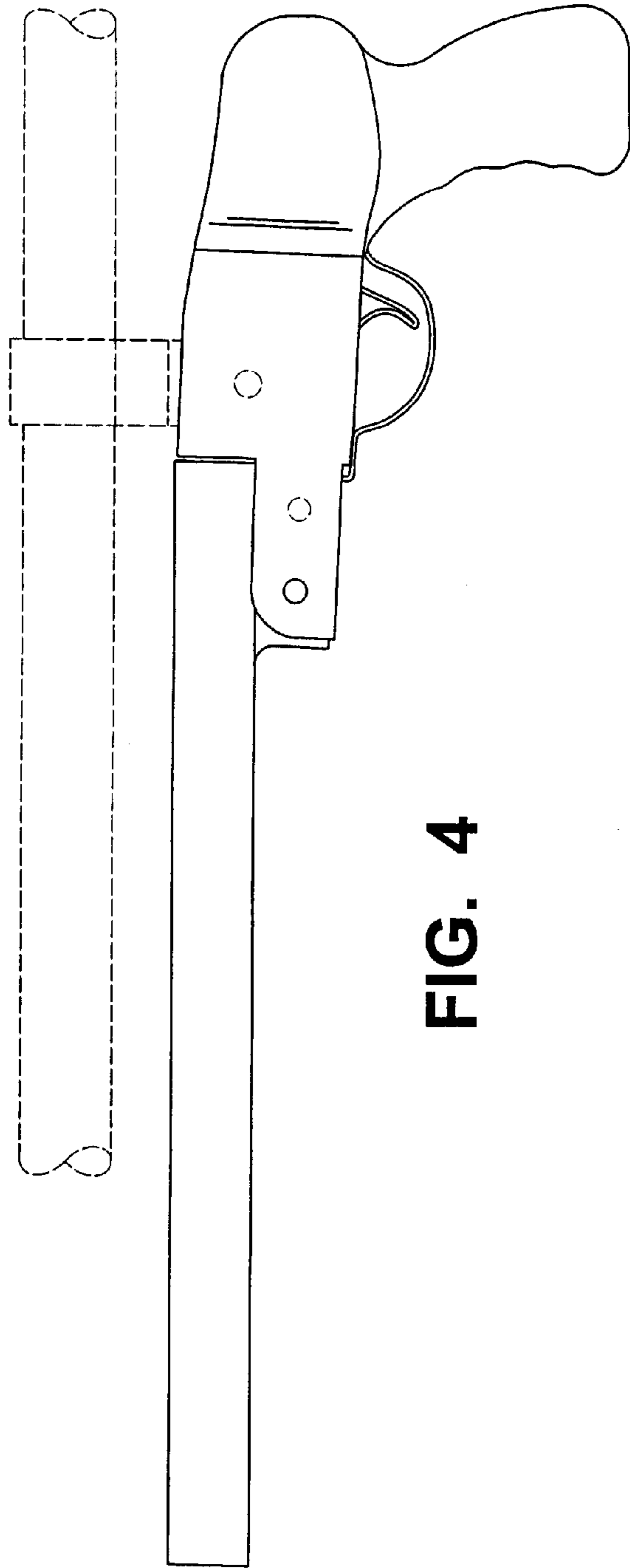


FIG. 4

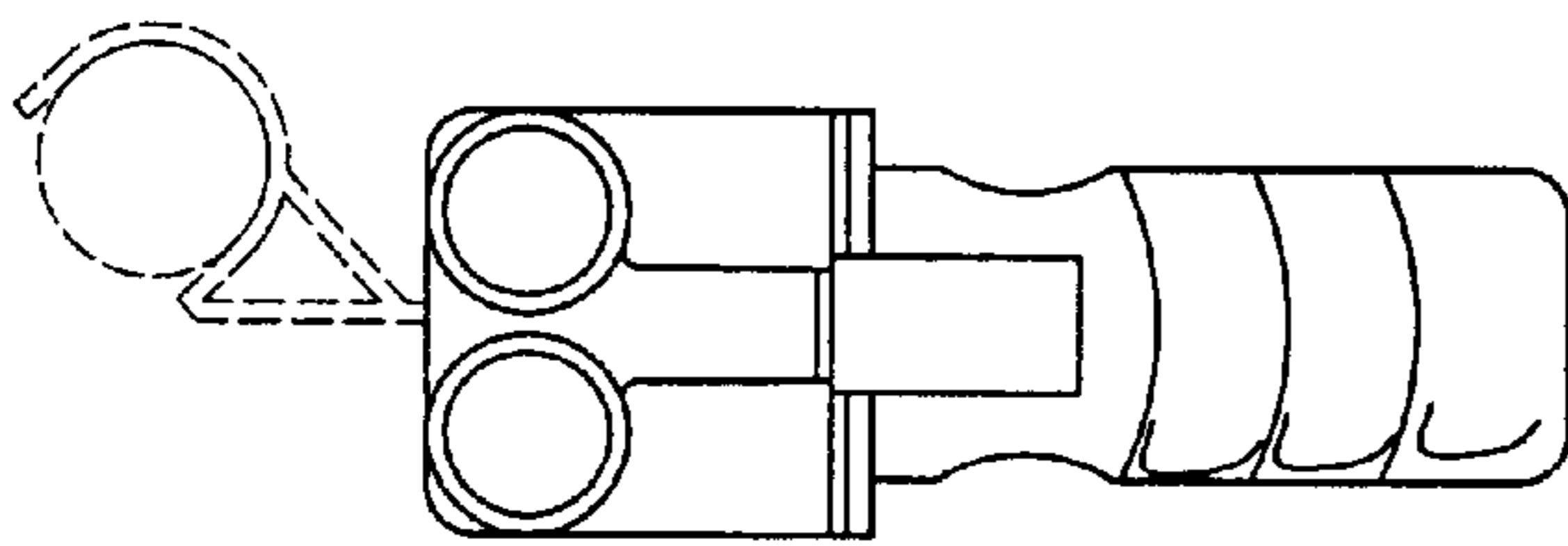


FIG. 5

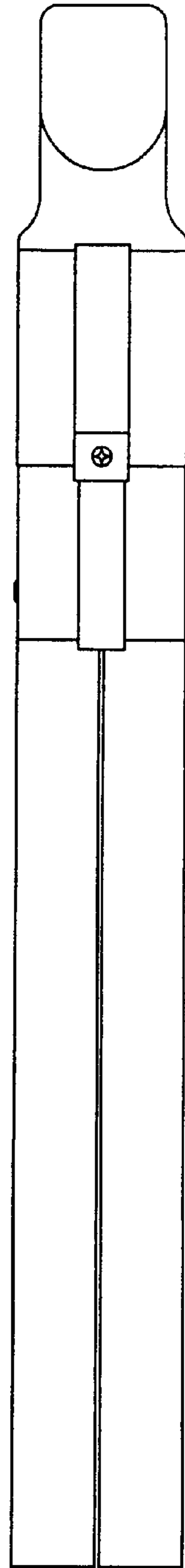


FIG. 6

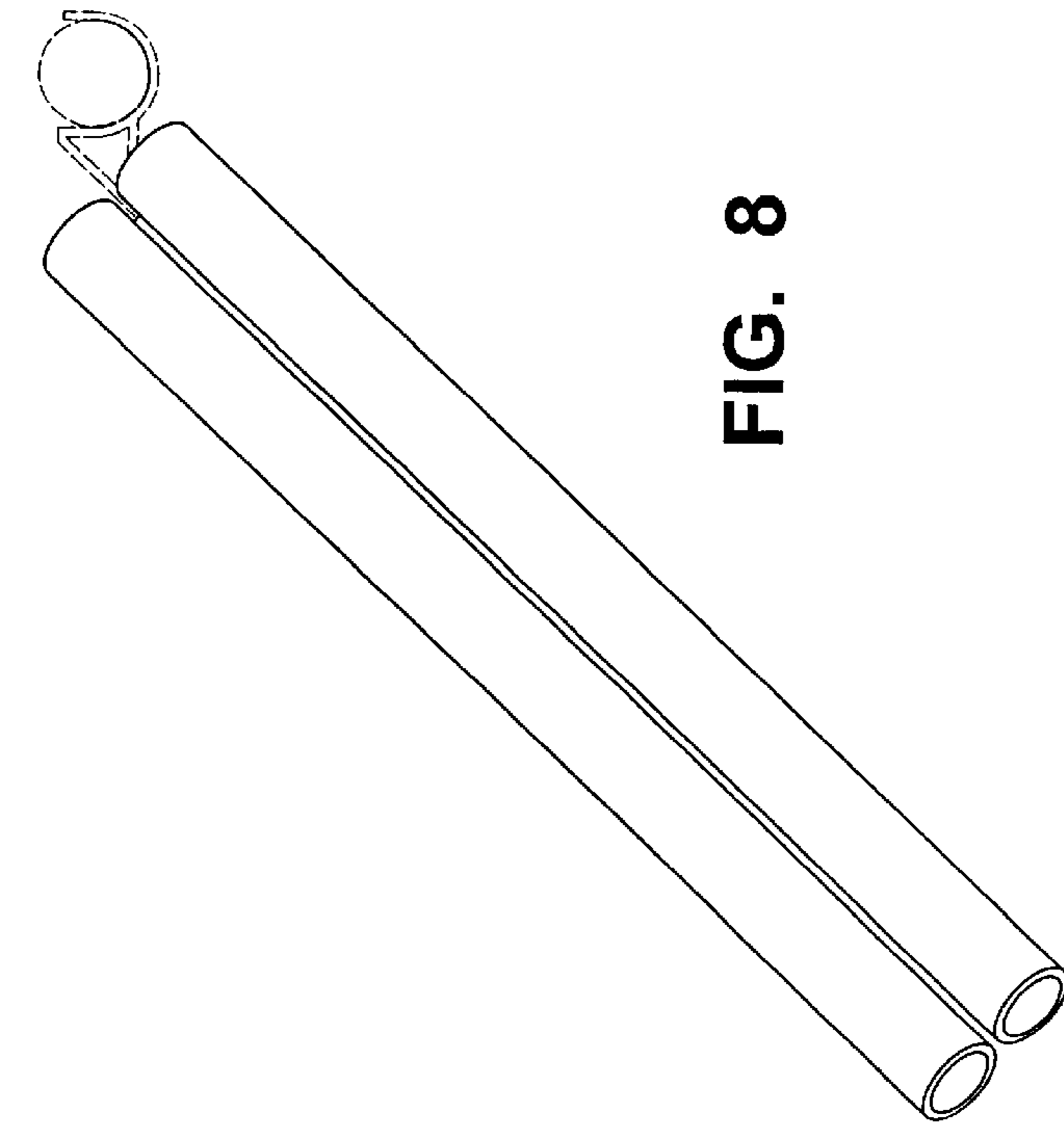


FIG. 8

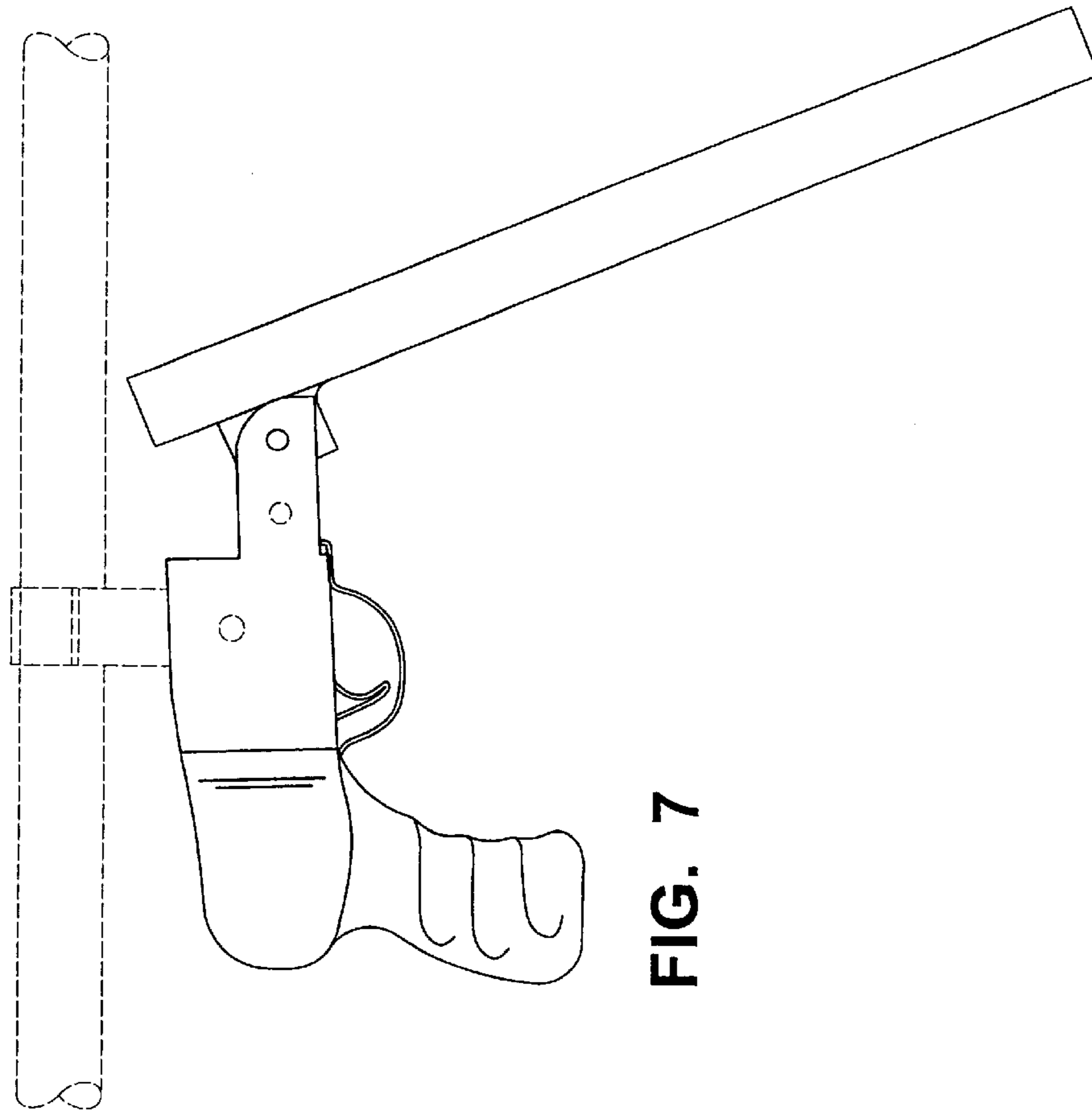


FIG. 7